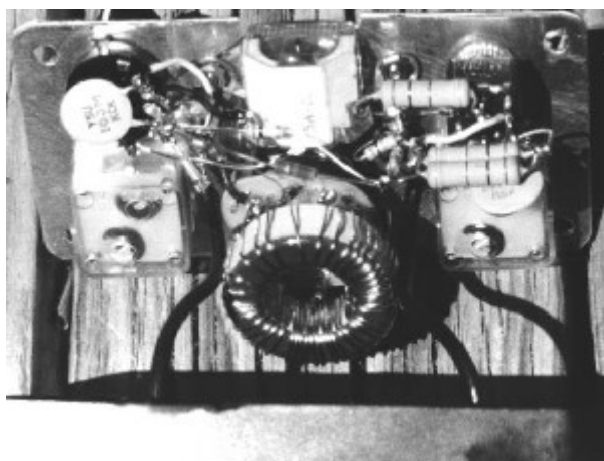
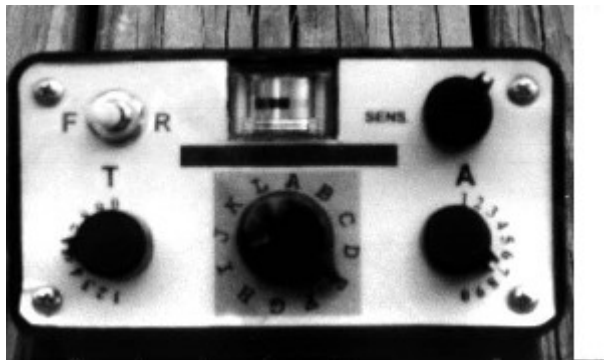
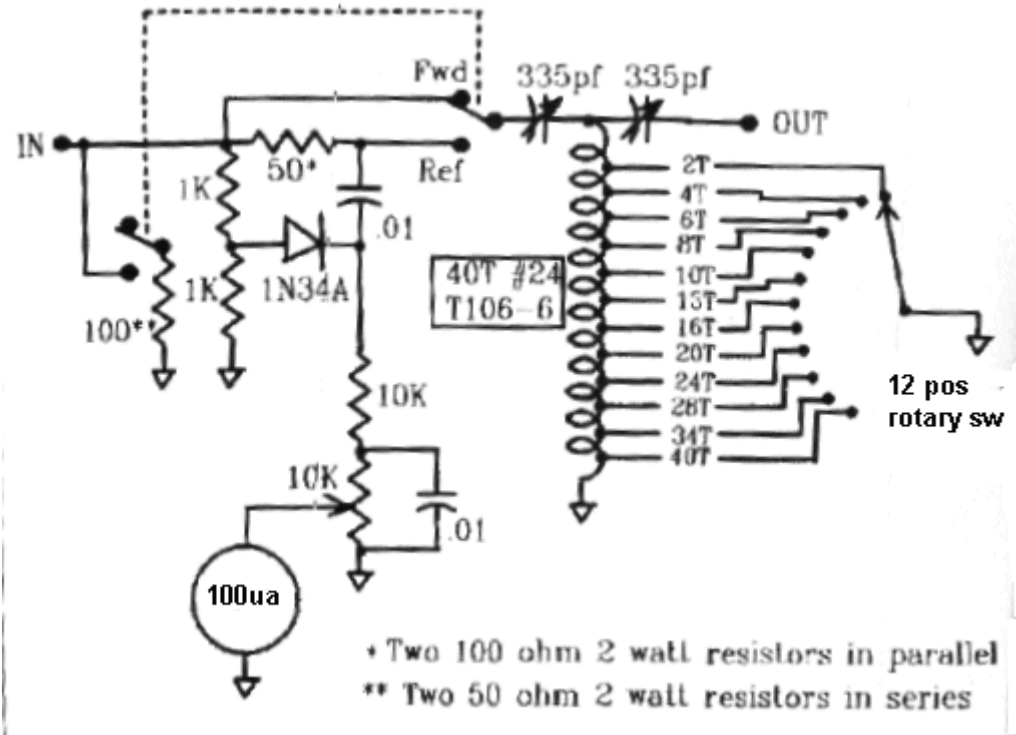


# A Mini Tuner for HF



**Built By John, K2JHU.**

This tiny tuning unit was described in the October 1995 edition of 73 magazine and will match from 80 - 10 metres, unbalanced. John has modified it by incorporating a balun and would send details of the unit if required - Email (jdorson@bbs.mpcs.com).