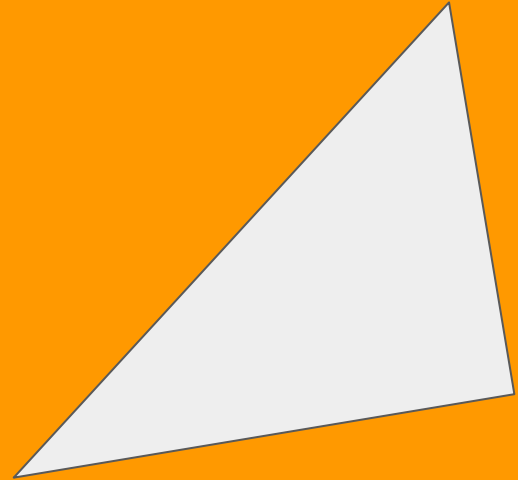
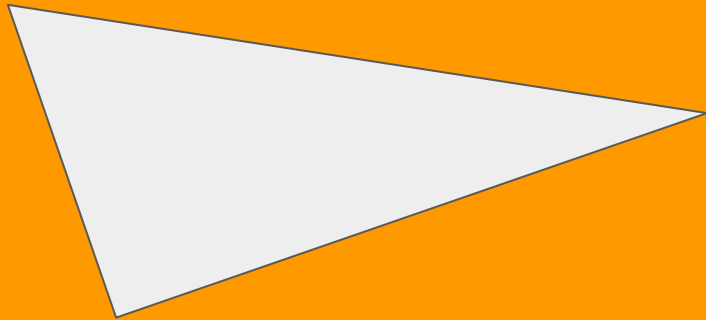
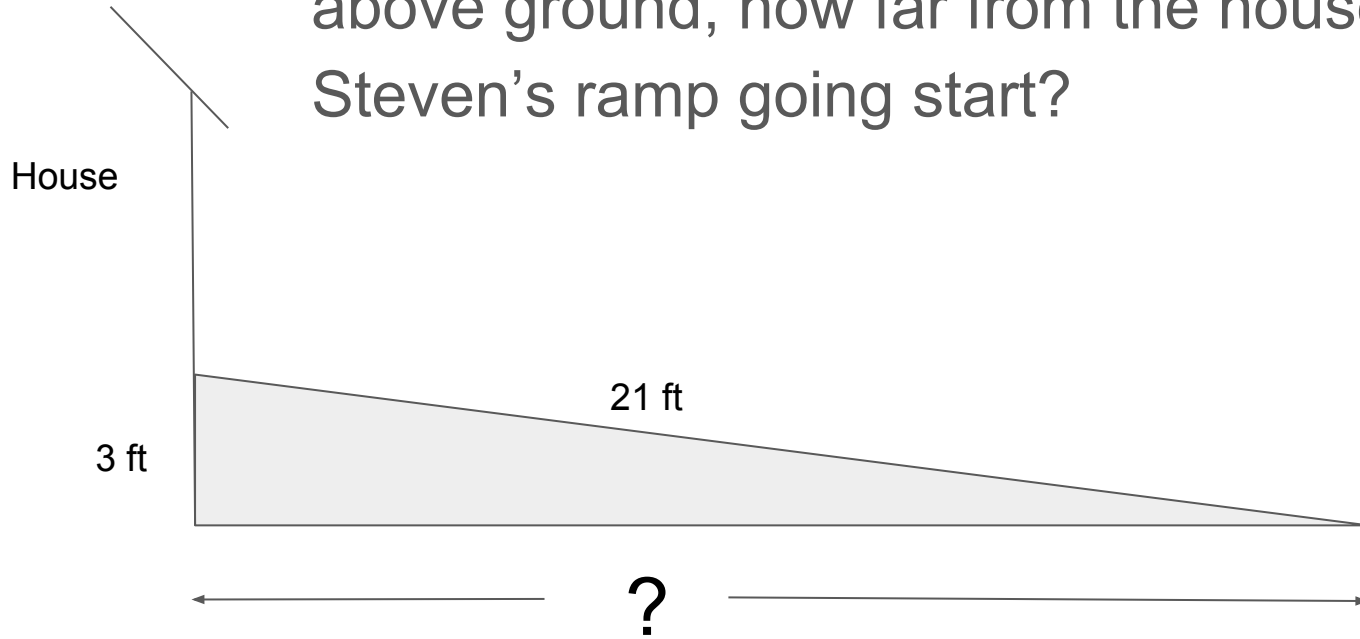


Pythagorean Theorem

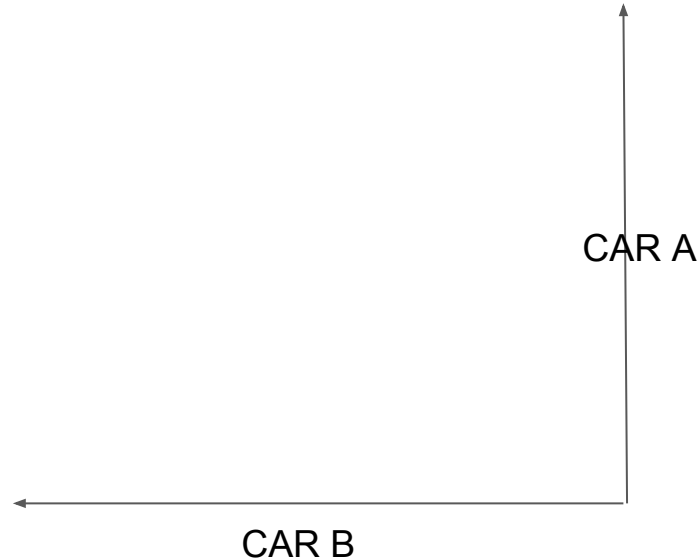
Applications



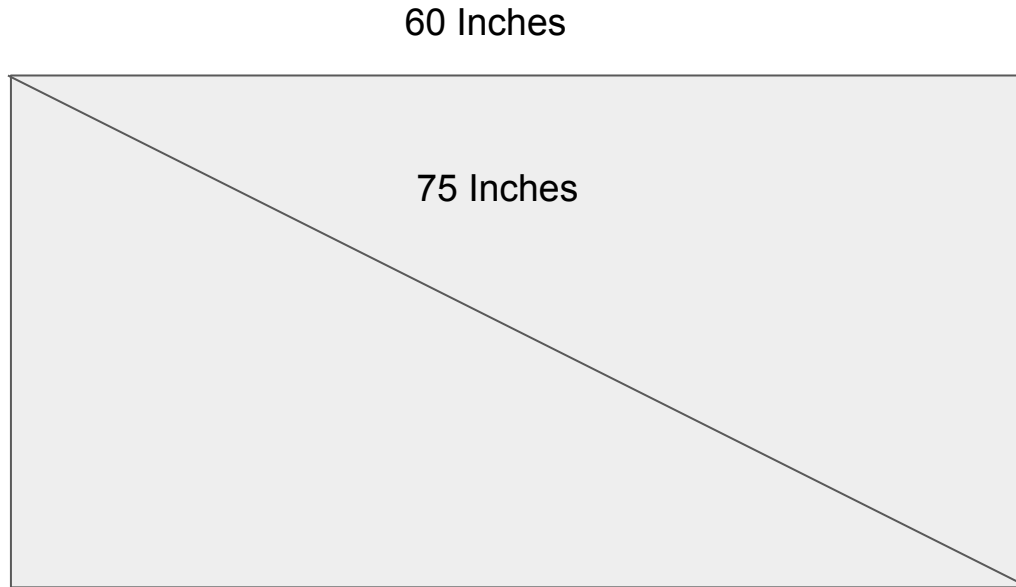
Steven is building a ramp to make his front door more accessible. If the ramp is 21ft from the front of the house, and the end sits 3 ft above ground, how far from the house is Steven's ramp going start?



Two cars leave a parking lot at the same time. One car travels due north at a speed of 50 km/h. A second car travels due west at a speed of 60 km/h. After a period of two hours, how far apart are the cars?



Stanley's new rectangular TV screen has a length of 60 inches and a diagonal that measures 75 inches. Calculate the AREA of the screen to the nearest inch².



Calculate the area of the large rectangle shown below.

