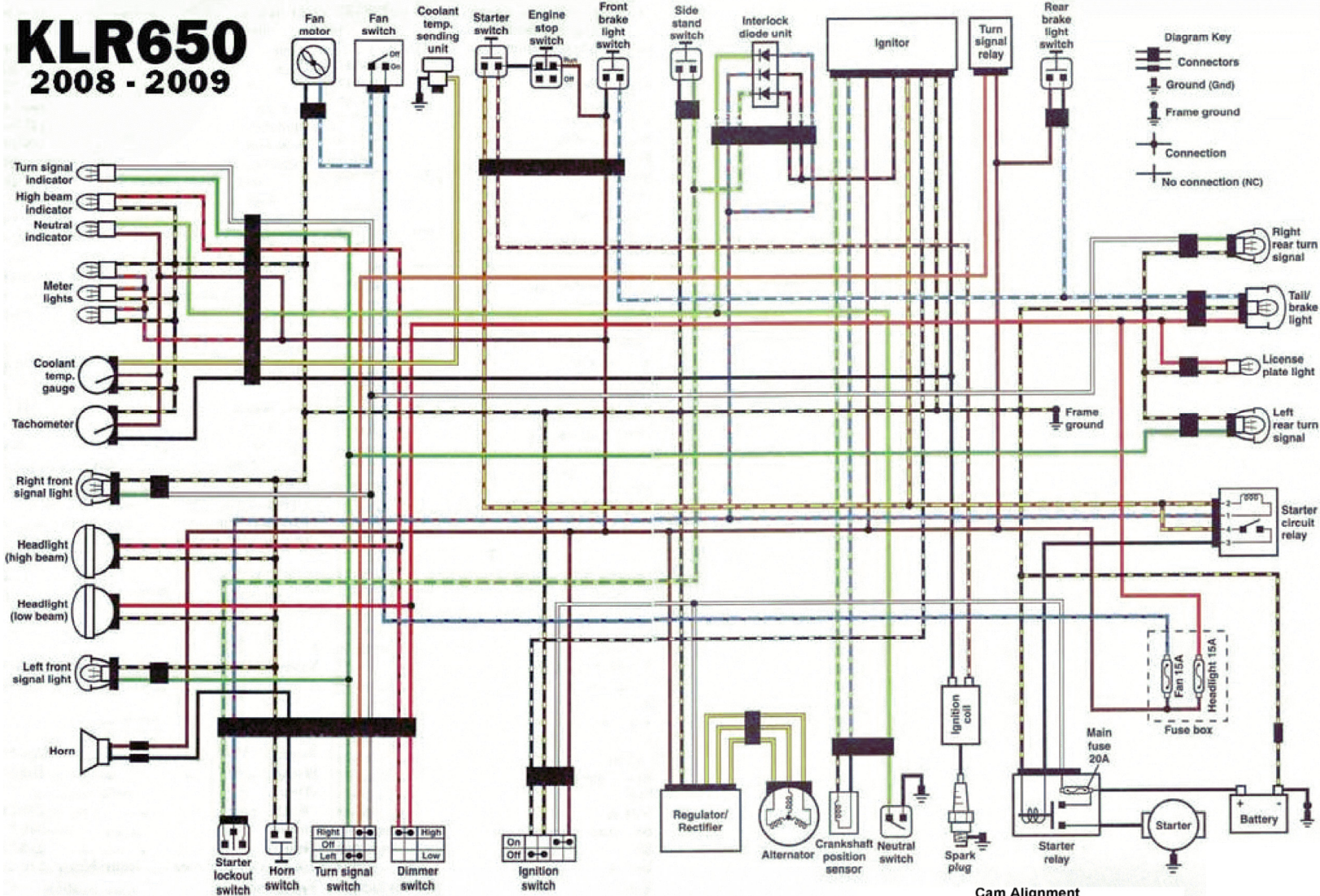


KLR650

2008 - 2009



Radiator Fan Switch

Off to On at 95 ~ 101C (203-214F)

On to Off at 87C ((189F) or less

Fan Operation Test

Unplug the connector at the bottom of the radiator.

Short the terminals at the harness connector.

Fan should run.

Charging Voltage

13.8-14.8V

Alternator Output

17A

