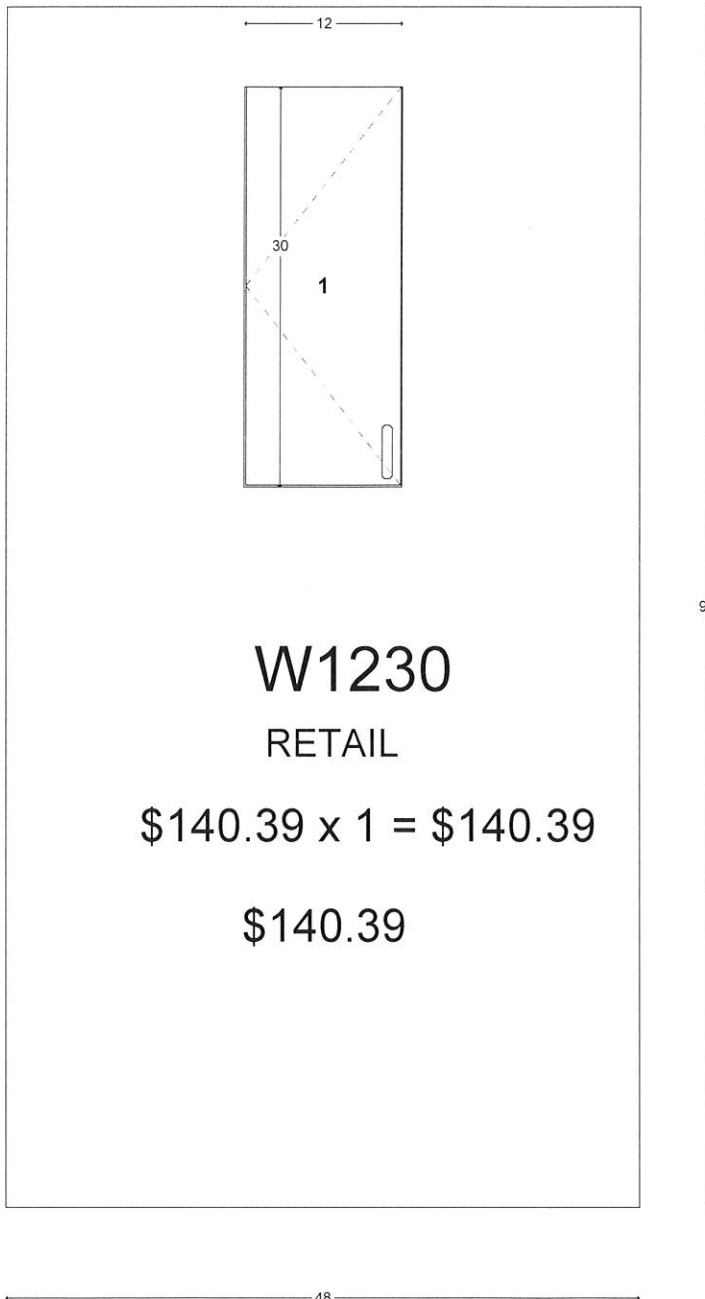


Countertop Trends
406 Main Street
Gridley, Kansas
1 (800) 658-1751

9/20/2017

Room 1 - Wall 1

Not To Scale

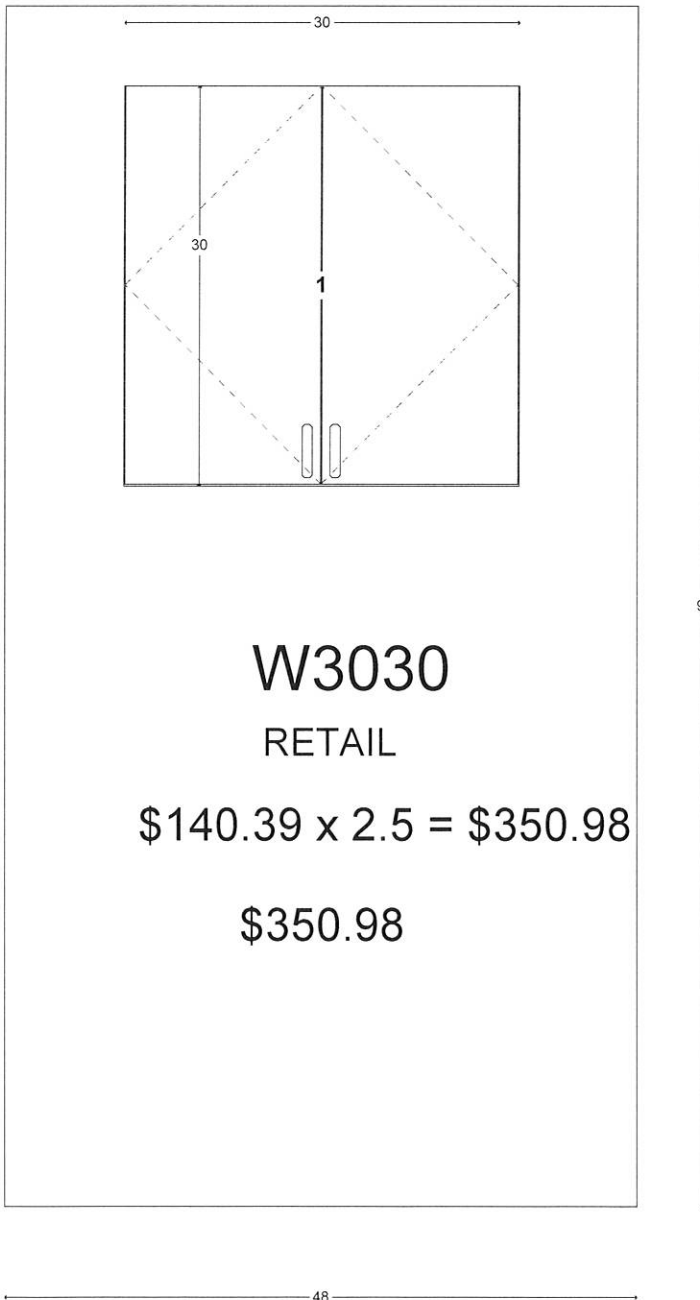


Countertop Trends
406 Main Street
Gridley, Kansas
1 (800) 658-1751

9/20/2017

Room 1 - Wall 1

Not To Scale

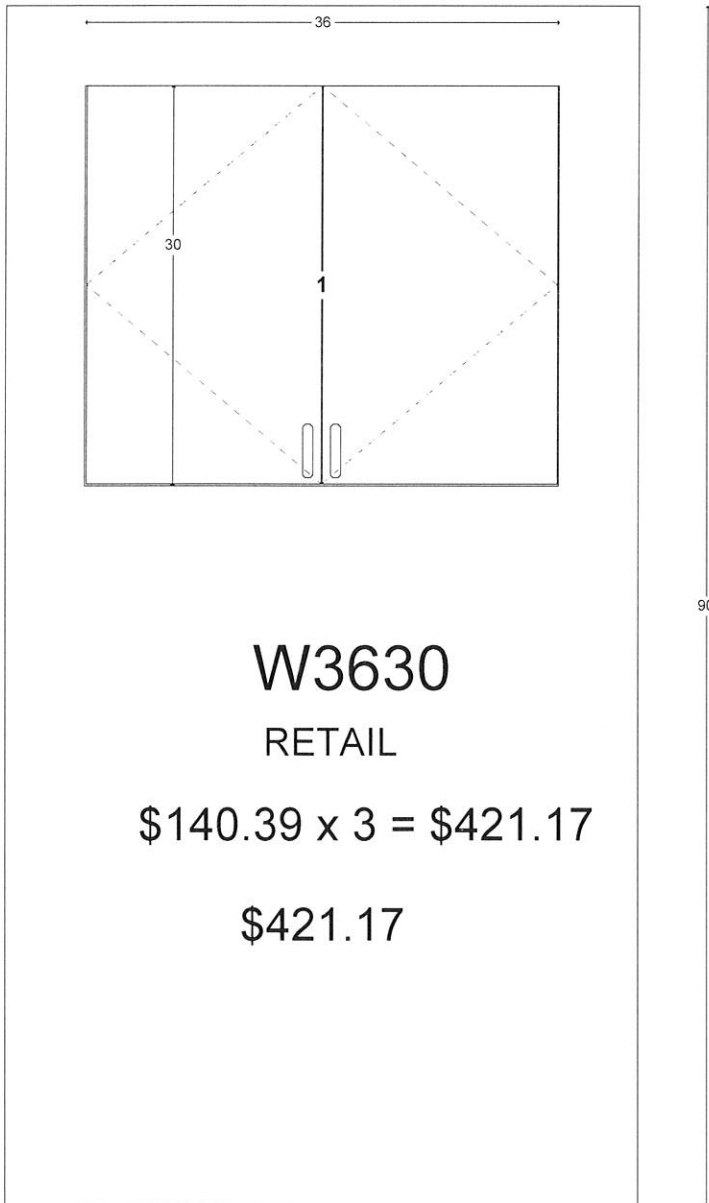


Countertop Trends
406 Main Street
Gridley, Kansas
1 (800) 658-1751

9/20/2017

Room 1 - Wall 1

Not To Scale



48

Countertop Trends
406 Main Street
Gridley, Kansas
1 (800) 658-1751

9/20/2017

Room 1 - Wall 1

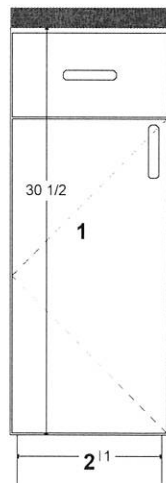
Not To Scale

B12

RETAIL

$\$179.30 \times 1 = \179.30

$\$179.30$



90

12

48

Countertop Trends
406 Main Street
Gridley, Kansas
1 (800) 658-1751

9/20/2017

Room 1 - Wall 1

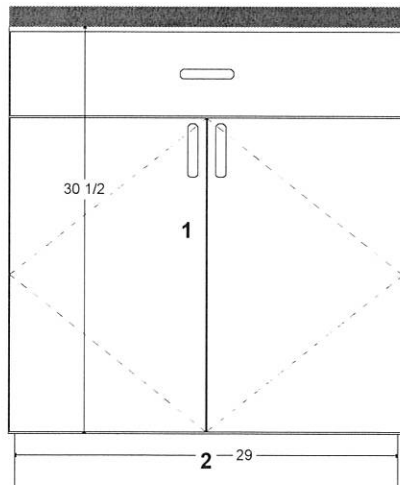
Not To Scale

B30

RETAIL

$\$179.30 \times 2.5 = \448.25

\$448.25



90

30

48

Countertop Trends
406 Main Street
Gridley, Kansas
1 (800) 658-1751

9/20/2017

Room 1 - Wall 1

Not To Scale

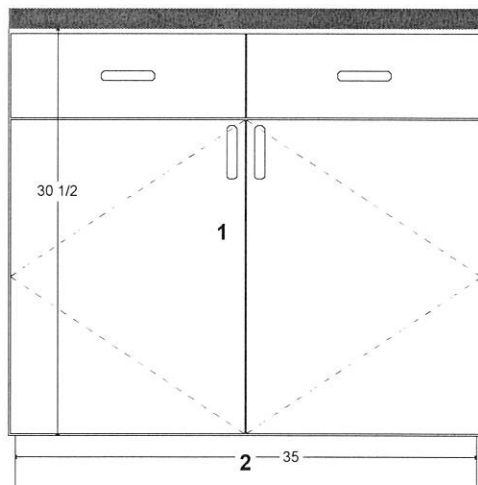
B36

RETAIL

$\$179.30 \times 3 = \537.90

$\$537.90$

90



36

48

Countertop Trends
406 Main Street
Gridley, Kansas
1 (800) 658-1751

9/20/2017

Room 1 - Wall 1

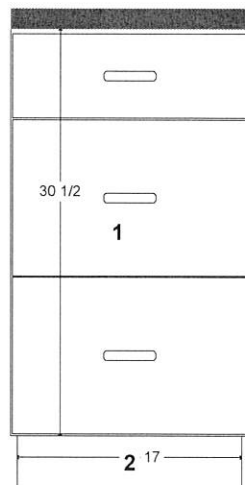
Not To Scale

3DRB18

RETAIL

$$\$300.16 \times 1.5 = \$450.24$$

\$450.24



← 18 →

← 48 →