



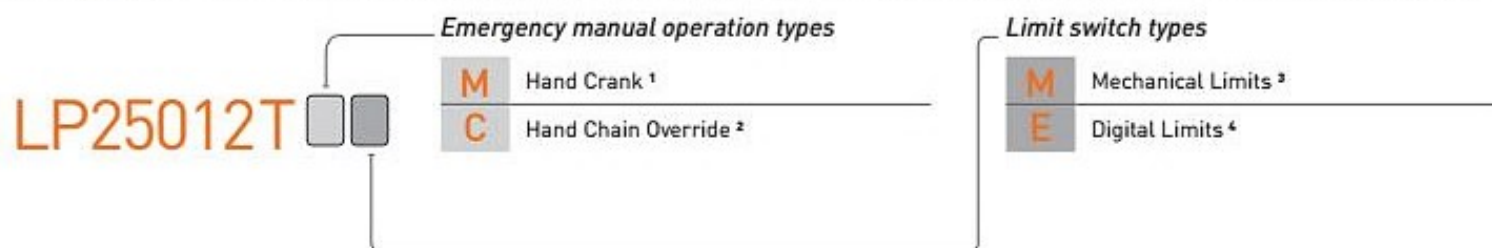
Side motors with integrated safety  
brake for garage doors, commercial  
and industrial shutters

Three-phase

LP25012T



## Range



## Override options



<sup>1</sup> Hand crank



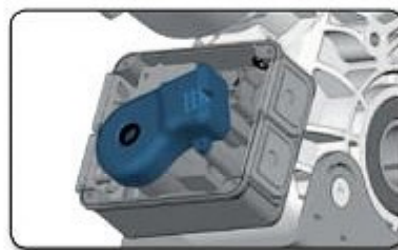
<sup>2</sup> Hand chain  
override

## Limit switch options



<sup>3</sup> Mechanical limits

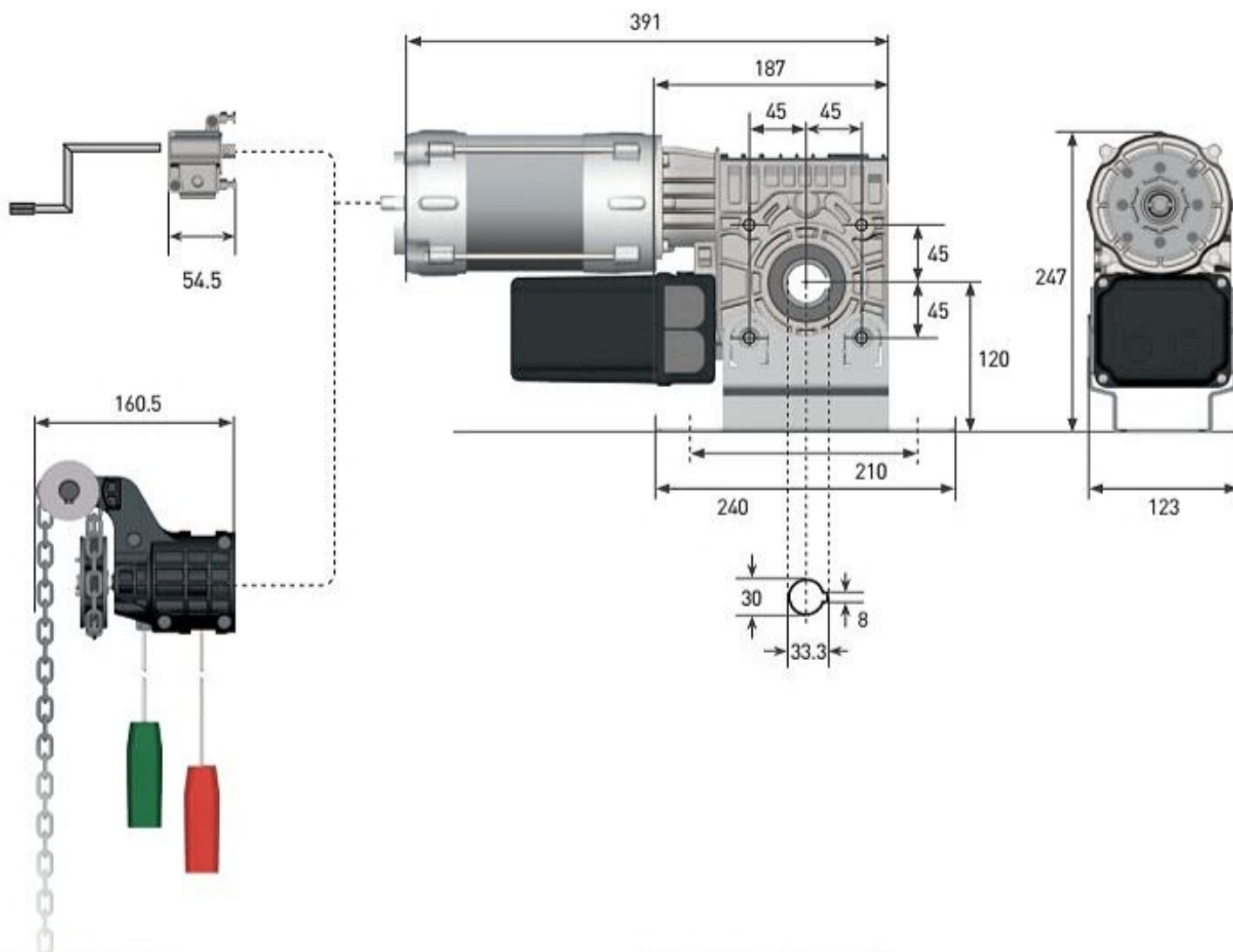
2 Green cams for operating limits  
2 Red cams for safety limits  
2 Yellow cams for auxiliary  
controls



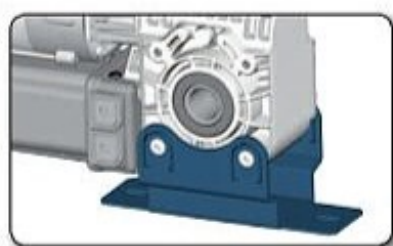
<sup>4</sup> Digital limits

Absolute encoder  
No readjustment after power  
failure

## Dimensions (mm)



## Installation



**Basement**



**Flange bracket**

## Technical details

### LP25012T

Torque (Nm)	250
Output Speed (Min-1)	12
Hollow shaft (mm)	30
Holding torque (Nm)	900
Power (kW)	1.1
Power Supply (Vac)	400
Frequency (Hz)	50
Amperage (A)	3.0
Working temperature	-5°C/40°C
Max Cycles Per Hour	20
Limit Switch range	18
Protection Rate (IP)	54
Weight (kg)	18