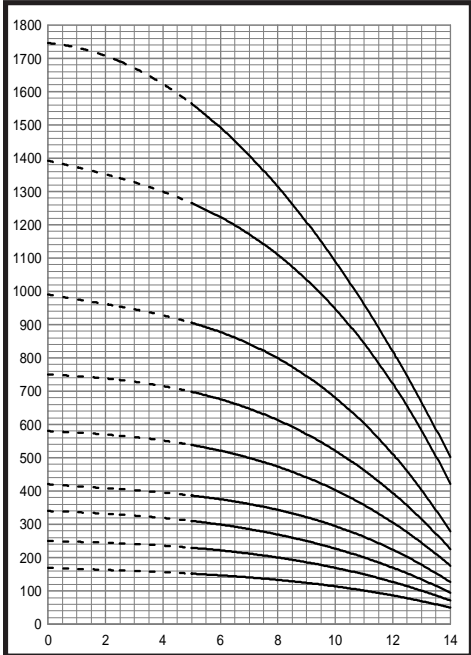


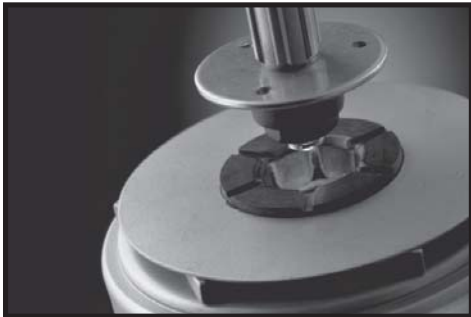
# Easy Selection Chart

## Performance Curves and Technical Data

### 4-Inch Submersible Pumps



Performance Curves



Materials of Construction



# 5S EASY SELECTION CHART

## 5 GPM

### SELECTION CHARTS

FLOW RANGE  
(1.2 TO 7 GPM)

PUMP OUTLET  
1" NPT

(Ratings are in GALLONS PER MINUTE-GPM)

		DEPTH TO PUMPING WATER LEVEL (LIFT) IN FEET																											
PUMP MODEL	HP	PSI	20	40	60	80	100	120	140	160	180	200	220	240	260	280	300	340	400	460	520	600	700	800	900	1000	1100		
5S03-9	1/3	0				7.1	6.7	6.2	5.8	5.3	4.8	4.3	3.2	2.1															
		20		7.0	6.6	6.1	5.7	5.2	4.6	4.0	2.8	1.6																	
		30		6.5	6.0	5.6	5.1	4.6	3.8	2.9	1.5																		
		40	6.7	6.0	5.5	5.1	4.4	3.8	2.4																				
		50	6.2	5.5	4.9	4.4	3.4	2.5	1.3																				
		60	5.6	4.9	4.2	3.5	1.9																						
SHUT-OFF PSI:			102	94	85	76	68	59	50	42	33	24	16	7															
5S05-13	1/2	0						7.1	6.8	6.4	6.1	5.8	5.5	5.2	4.8	4.5	3.9	2.3											
		20			7.3	7.0	6.7	6.3	6.0	5.7	5.4	5.1	4.7	4.3	3.7	3.1	2.0												
		30		7.2	6.9	6.6	6.3	6.0	5.7	5.4	5.0	4.7	4.2	3.7	2.8	2.0													
		40	7.2	6.9	6.6	6.3	5.9	5.6	5.3	5.0	4.6	4.2	3.5	2.8	1.6														
		50	6.8	6.5	6.2	5.9	5.6	5.3	4.9	4.6	4.0	3.5	2.6	1.6															
		60	6.5	6.2	5.8	5.5	5.2	4.9	4.5	4.0	3.3	2.6	1.3																
SHUT-OFF PSI:			152	143	134	126	117	108	100	91	82	74	65	56	48	39	30	13											
5S07-18	3/4	0								7.1	6.9	6.7	6.4	6.2	6.0	5.8	5.6	5.1	4.2	2.7									
		20						7.1	6.8	6.6	6.4	6.2	5.9	5.7	5.5	5.3	5.0	4.5	3.2										
		30					7.0	6.8	6.6	6.3	6.1	5.9	5.7	5.5	5.2	5.0	4.7	4.0	2.5										
		40			7.2	7.0	6.8	6.5	6.3	6.1	5.9	5.6	5.4	5.2	4.9	4.7	4.4	3.5	1.5										
		50		7.2	7.0	6.7	6.5	6.3	6.1	5.8	5.6	5.4	5.1	4.9	4.6	4.3	3.9	2.9											
		60	7.1	6.9	6.7	6.5	6.2	6.0	5.8	5.6	5.3	5.1	4.9	4.6	4.3	3.9	3.4	2.1											
SHUT-OFF PSI:			213	204	195	187	178	169	161	152	143	135	126	117	109	100	91	74	48	22									
5S10-22	1	0										7.1	6.9	6.7	6.6	6.4	6.2	5.8	5.3	4.7	3.8	1.7							
		20									7.1	6.9	6.7	6.5	6.3	6.1	6.0	5.8	5.4	4.8	4.0	2.8							
		30								7.0	6.8	6.7	6.5	6.3	6.1	5.9	5.7	5.6	5.2	4.6	3.6	2.1							
		40						7.0	6.8	6.6	6.5	6.3	6.1	5.9	5.7	5.5	5.4	5.0	4.3	3.1	1.3								
		50				7.2	7.0	6.8	6.6	6.4	6.2	6.1	5.9	5.7	5.5	5.3	5.1	4.7	3.9	2.5									
		60		7.1	6.9	6.8	6.6	6.4	6.2	6.0	6.0	5.7	5.5	5.3	5.1	4.9	4.4	3.5	1.7										
SHUT-OFF PSI:					245	237	228	219	211	202	194	185	176	168	159	150	142	124	98	72	46	12							
5S15-26	1 1/2	0													7.1	7.0	6.8	6.7	6.4	5.9	5.4	4.9	4.1	2.1					
		20												7.1	6.9	6.8	6.6	6.5	6.3	6.0	5.5	5.1	4.5	3.4					
		30										7.1	6.9	6.7	6.6	6.4	6.3	6.1	5.8	5.4	4.8	4.2	2.9						
		40								7.0	6.9	6.7	6.6	6.4	6.3	6.1	6.0	5.6	5.2	4.6	5.6	2.4							
		50							7.0	6.9	6.7	6.5	6.4	6.2	6.1	5.9	5.8	5.5	5.0	4.4	3.6	1.7							
		60					7.0	6.8	6.7	6.5	6.4	6.2	6.1	5.9	5.8	5.6	5.3	4.8	4.1	3.1									
SHUT-OFF PSI:						269	260	252	243	234	226	217	208	200	191	174	148	122	96	61	18								
5S15-31	1 1/2	0														7.1	7.0	6.7	6.3	5.9	5.5	6.7	4.1	2.6					
		20													7.1	6.9	6.8	6.7	6.4	6.0	5.6	5.2	4.6	3.5	1.6				
		30												7.0	6.9	6.8	6.6	6.5	6.2	5.9	5.5	5.1	4.4	3.2	0.9				
		40										7.0	6.9	6.8	6.6	6.5	6.4	6.1	5.7	5.3	4.9	4.2	2.8						
		50								7.1	7.0	6.9	6.7	6.6	6.5	6.3	6.2	6.0	5.6	5.2	4.7	4.0	2.3						
		60						7.1	7.0	6.8	6.7	6.6	6.5	6.3	6.2	6.1	5.8	5.4	5.0	4.5	3.7	1.7							
SHUT-OFF PSI:							320	311	303	294	285	277	268	259	251	233	207	181	155	121	77	34							

See 5S performance curves for higher head models.  
SPECIFICATIONS SUBJECT TO CHANGE WITHOUT NOTICE.

# 7S EASY SELECTION CHART

## 7 GPM

### SELECTION CHARTS

FLOW RANGE

PUMP OUTLET

(Ratings are in GALLONS PER MINUTE-GPM)

(3 TO 10 GPM)

1" NPT

DEPTH TO PUMPING WATER LEVEL (LIFT) IN FEET																														
PUMP MODEL	HP	PSI	20	40	60	80	100	120	140	160	180	200	220	240	260	280	300	340	400	460	520	600	700	800	900	1000	1100			
7S03-8	1/3	20	10.0	9.5	8.7	8.0	7.2	6.4	5.0	3.7	1.8																			
		30	9.3	8.7	7.9	7.1	6.1	5.1	2.6																					
		40	8.5	7.8	7.0	6.1	4.5	2.9	1.5																					
		50	7.6	6.9	5.8	4.7	2.3																							
		60	6.7	5.8	3.9	2.0																								
SHUT-OFF PSI:			86	77	69	60	52	43	34	26	17	8																		
7S05-11	1/2	0					9.9	9.5	8.9	8.4	7.8	7.3	6.7	6.0	5.0	4.0														
		20			9.8	9.3	8.8	8.2	7.7	7.1	6.5	5.8	4.7	3.5	1.8															
		30	10.1	9.7	9.2	8.7	8.1	7.6	7.0	6.4	5.6	4.7	2.9																	
		40	9.6	9.2	8.6	8.1	7.5	6.9	6.2	5.6	4.3	3.0	1.5																	
		50	9.1	8.5	8.0	7.4	6.8	6.2	5.3	4.3	2.2																			
60	8.4	7.9	7.3	6.8	6.0	5.3	3.8	2.3																						
SHUT-OFF PSI:			122	113	105	96	87	79	70	61	53	44	35	27	18	10														
7S07-15	3/4	0					10.2	9.9	9.5	9.2	8.8	8.4	8.0	7.6	7.1	6.7	5.6	2.9												
		20			10.1	9.8	9.4	9.0	8.6	8.2	7.8	7.4	7.0	6.5	6.1	5.4	3.6													
		30			10.0	9.7	9.4	9.0	8.6	8.2	7.8	7.4	6.9	6.5	5.9	5.4	4.5	1.8												
		40		10.0	9.7	9.3	8.9	8.5	8.1	7.7	7.3	6.9	6.4	5.9	5.2	4.5	3.2	1.0												
		50	9.9	9.6	9.2	8.9	8.5	8.1	7.6	7.2	6.8	6.4	5.8	5.2	4.2	3.2	1.6													
60	9.5	9.2	8.8	8.4	8.0	7.6	7.2	6.7	6.2	5.7	4.9	4.2	2.8	1.4																
SHUT-OFF PSI:			170	101	153	144	135	127	118	110	101	92	84	75	66	58	49	32	6											
7S10-19	1	0							10.1	9.8	9.6	9.3	9.0	8.7	8.4	8.0	7.4	6.4	4.8											
		20					10.0	9.8	9.5	9.2	8.9	8.6	8.3	7.9	7.6	7.3	6.6	5.3	2.8											
		30					10.0	9.7	9.5	9.2	8.9	8.5	8.2	7.9	7.6	7.3	6.9	6.2	4.6	1.4										
		40				10.0	9.7	9.4	9.1	8.8	8.5	8.2	7.8	7.5	7.2	6.9	6.5	5.6	3.7											
		50		10.2	9.9	9.7	9.4	9.1	8.8	8.4	8.1	7.8	7.5	7.2	6.8	6.5	6.0	5.0	2.4											
60	10.1	9.9	9.6	9.3	9.0	8.7	8.4	8.1	7.8	7.4	7.1	6.8	6.4	6.0	5.5	4.2														
SHUT-OFF PSI:			218	209	200	192	183	174	166	157	148	140	131	123	114	105	97	79	53	27										
7S15-26	1 1/2	0										10.1	9.9	9.7	9.5	9.3	8.8	8.1	7.4	6.7	5.5									
		20										10.0	9.8	9.6	9.4	9.2	9.0	8.8	8.3	7.6	6.9	6.1	4.4							
		30										10.0	9.8	9.6	9.4	9.2	9.0	8.7	8.5	8.0	7.3	6.6	5.7	3.7						
		40						10.1	10.0	9.8	9.6	9.4	9.1	8.9	8.7	8.5	8.2	7.8	7.1	6.3	5.2	2.9								
		50					10.1	9.9	9.7	9.6	9.3	9.1	8.9	8.7	8.4	8.2	8.0	7.5	6.8	5.9	4.7	1.9								
60				10.1	9.9	9.7	9.5	9.3	9.1	8.9	8.6	8.4	8.2	7.9	7.7	7.2	6.5	5.5	4.1											
SHUT-OFF PSI:					274	265	257	248	239	231	222	213	205	196	187	179	161	135	110	84	49									
7S20-32	2	0	0										10.6	10.5	10.4	10.4	10.3	10.1	9.6	9.1	8.4	7.3	5.7							
		20	46.2										10.5	10.5	10.4	10.3	10.3	10.2	10.0	9.8	9.2	8.6	7.8	6.6	4.8					
		30	69.3										10.5	10.5	10.4	10.3	10.2	10.1	10.0	9.9	9.6	9.0	8.3	7.5	6.2	4.3				
		40	92.4										10.5	10.5	10.4	10.3	10.2	10.1	10.0	9.9	9.7	9.4	8.8	8.0	7.2	5.8	3.9			
		50	116										10.5	10.4	10.3	10.2	10.1	10.0	9.8	9.7	9.5	9.1	8.5	7.7	6.8	5.4	3.3			
60	139										10.5	10.4	10.3	10.2	10.1	10.0	9.8	9.7	9.5	9.3	8.9	8.2	7.4	6.4	5.0					
SHUT-OFF PSI:						343	334	326	317	308	300	291	282	274	265	256	239	213	187	161	126	83								

SPECIFICATIONS SUBJECT TO CHANGE WITHOUT NOTICE.

# 10S EASY SELECTION CHART

## 10 GPM

### SELECTION CHARTS

FLOW RANGE

PUMP OUTLET

(Ratings are in GALLONS PER MINUTE-GPM)

(5 TO 14 GPM)

1 1/4" NPT

		DEPTH TO PUMPING WATER LEVEL (LIFT) IN FEET																												
PUMP MODEL	HP	PSI	20	40	60	80	100	120	140	160	180	200	220	240	260	280	300	340	400	460	520	600	700	800	900	1000	1100			
10S03-6	1/3	20	14.0	13.2	12.4	10.6	8.9	5.3																						
		30	13.2	11.8	10.4	8.4																								
		40	11.9	10.1	8.3																									
		50	9.8	7.5																										
		60	7.7	3.9																										
SHUT-OFF PSI:			64	55	47	38	29	21	12	3																				
10S05-9	1/2	0				14.1	13.4	12.4	11.4	10.4	9.5	8.3	6.6	3.5																
		20		13.9	13.1	12.1	11.1	10.1	9.2	7.9	5.8	2.0																		
		30	13.8	13.0	12.0	11.0	10.0	9.0	7.6	5.3	1.2																			
		40	12.8	11.8	10.8	9.8	8.8	7.3	4.8																					
		50	11.7	10.7	9.7	8.6	7.0	4.3																						
SHUT-OFF PSI:			100	92	83	74	66	57	48	40	31	23	14	5																
10S07-12	3/4	0				14.3	13.8	13.2	12.5	11.7	11.0	10.2	9.5	8.7	7.6	6.0														
		20		14.2	13.6	12.9	12.2	11.5	10.7	10.0	9.3	8.4	7.2	5.4	2.6															
		30		14.1	13.5	12.9	12.1	11.4	10.6	9.9	9.2	8.2	7.0	5.0	2.0															
		40	14.0	13.4	12.8	12.0	11.3	10.5	9.8	9.0	8.1	6.7	4.7	1.4																
		50	13.3	12.6	11.9	11.1	10.4	9.7	8.9	7.9	6.5	4.2																		
SHUT-OFF PSI:			137	129	120	111	103	94	85	77	68	59	51	42	33	25	16													
10S10-15	1	0						14.1	13.6	13.1	12.5	11.9	11.3	10.7	10.1	9.6	8.2	3.8												
		20				13.9	13.5	12.9	12.3	11.7	11.1	10.5	10.0	9.4	8.7	7.9	5.2													
		30			13.9	13.4	12.8	12.2	11.6	11.0	10.5	9.9	9.3	8.6	7.7	6.6	2.6													
		40		14.2	13.8	13.3	12.7	12.1	11.5	10.9	10.4	9.8	9.2	8.5	7.6	6.3	4.6													
		50	14.1	13.7	13.2	12.6	12.1	11.4	10.9	10.3	9.7	9.1	8.3	7.4	6.1	4.3	1.7													
SHUT-OFF PSI:			174	165	157	148	139	131	122	113	105	96	87	79	70	61	53	35	10											
10S15-21	1 1/2	0								14.2	13.9	13.6	13.3	12.9	12.5	12.0	11.2	9.9	8.5	6.3										
		20						14.1	13.9	13.5	13.1	12.7	12.3	11.9	11.5	11.0	10.2	8.9	6.9	2.9										
		30					14.1	13.8	13.5	13.1	12.7	12.3	11.8	11.4	11.0	10.5	9.7	8.3	5.7											
		40				14.1	13.8	13.4	13.0	12.6	12.2	11.8	11.3	10.9	10.5	10.1	9.2	7.5	4.1											
		50			14.0	13.7	13.3	13.0	12.5	12.1	11.7	11.3	10.8	10.4	10.0	9.6	8.7	6.5	2.0											
SHUT-OFF PSI:			237	229	220	211	203	194	185	177	168	159	151	142	133	125	107	81	55	29										
10S20-27	2	0										14.1	13.9	13.7	13.4	12.8	11.8	10.8	9.8	8.3	4.7									
		20									14.1	13.8	13.6	13.3	13.0	12.7	12.0	11.0	10.0	9.0	7.1	1.5								
		30								14.0	13.8	13.5	13.3	12.9	12.6	12.3	11.6	10.6	9.7	8.6	6.2									
		40						14.2	14.0	13.8	13.5	13.2	12.9	12.6	12.2	11.9	11.2	10.3	9.3	8.1	5.2									
		50					14.2	14.0	13.7	13.5	13.2	12.8	12.5	12.2	11.9	11.5	10.9	9.9	8.9	7.4	3.8									
SHUT-OFF PSI:					285	276	268	259	250	242	233	224	216	207	198	181	155	129	103	68	25									
10S30-34	3	0														13.8	13.2	12.5	11.9	10.9	9.6	7.9	4.8							
		20													13.9	13.7	13.3	12.7	12.0	11.3	10.3	8.9	6.7	2.7						
		30												13.9	13.7	13.5	13.1	12.4	11.7	11.0	10.0	8.5	6.0	1.3						
		40										14.0	13.8	13.7	13.5	13.3	12.8	12.2	11.5	10.8	9.7	8.0	5.1							
		50									14.0	13.8	13.6	13.4	13.2	13.0	12.6	11.9	11.2	10.5	9.4	7.5	4.2							
SHUT-OFF PSI:										332	324	315	306	298	289	272	246	220	194	159	116	73	29							

See 10S performance curves for higher head models.  
SPECIFICATIONS SUBJECT TO CHANGE WITHOUT NOTICE.

# 16S EASY SELECTION CHART

## 16 GPM

### SELECTION CHARTS

FLOW RANGE

PUMP OUTLET

(Ratings are in GALLONS PER MINUTE-GPM)

(10 TO 20 GPM)

1 1/4 " NPT

DEPTH TO PUMPING WATER LEVEL (LIFT) IN FEET

PUMP MODEL	HP	PSI	20	40	60	80	100	120	140	160	180	200	220	240	260	280	300	340	400	460	520	600	700	800	900	1000	1100		
16S05-5	1/2	20	20.3	18.2	14.1	10.0	5.0																						
		30	17.3	14.4	8.0	1.6																							
		40	12.7	8.0	4.0																								
		50	6.5																										
		60	2.9																										
SHUT-OFF PSI:			58	49	40	32	23	14																					
16S07-8	3/4	0					20.5	19.2	17.5	15.8	12.8	9.8	5.2																
		20			20.1	18.8	16.9	15.2	11.8	8.5	4.3																		
		30	21.2	19.9	18.4	16.9	14.3	11.8	7.5	3.2	1.6																		
		40	19.7	18.3	16.3	14.3	10.8	7.2	3.6																				
		50	17.9	16.3	13.5	10.7	6.2	1.7																					
SHUT-OFF PSI:			97	88	80	71	62	54	45	36	28	19	10																
16S10-10	1	0						20.8	19.8	18.8	17.3	15.9	13.7	11.4	8.0	4.7													
		20				20.5	19.4	18.3	16.8	15.3	12.9	10.5	7.0	3.5	1.8														
		30			20.3	19.3	18.1	16.8	14.8	12.8	9.8	6.7	3.3																
		40		20.2	19.1	18.0	16.4	14.8	12.2	9.6	5.9	2.3																	
		50	20.0	19.0	17.7	16.3	14.2	12.0	8.8	5.6	2.8																		
SHUT-OFF PSI:			123	115	106	97	89	80	71	63	54	45	37	28	19	11													
16S15-14	1 1/2	0							21.0	20.3	19.6	18.8	18.0	16.9	15.8	14.3	10.7	3.3											
		20							20.1	19.3	18.5	17.7	16.6	15.4	13.8	12.2	10.0	5.1											
		30					20.7	20.0	19.2	18.4	17.4	16.5	15.1	13.7	11.8	9.8	7.3	2.4											
		40				20.6	19.8	19.1	18.3	17.4	16.0	15.0	13.3	11.6	9.3	7.0	4.3												
		50			20.4	19.8	18.9	18.2	17.2	16.1	14.7	13.2	11.2	9.1	6.5	3.9	2.0												
SHUT-OFF PSI:				167	158	149	141	132	123	115	106	97	89	80	71	63	54	37	28										
16S20-18	2	0											21.2	20.6	20.0	19.5	18.9	18.2	16.7	13.5	8.8	2.7							
		20											20.4	19.8	19.3	18.7	18.0	17.3	16.4	14.3	10.0	4.2							
		30											20.3	19.8	19.2	18.6	17.9	17.2	16.3	15.3	12.8	7.9	1.9						
		40								20.3	19.7	19.1	18.5	17.8	17.1	16.1	15.2	13.9	11.1	5.7									
		50							20.2	19.6	19.0	18.3	17.7	16.8	16.0	14.9	13.8	12.3	9.2	3.2									
SHUT-OFF PSI:							194	186	177	168	160	151	142	134	125	116	108	90	65	39	13								
16S30-24	3	0																	19.6	18.3	16.5	14.2	9.8	2.1					
		20																	20.3	19.9	19.5	18.6	17.0	14.8	11.8	6.5			
		30																	20.3	19.8	19.4	19.0	18.0	16.3	13.7	10.4	4.7		
		40																	20.2	19.8	19.3	18.9	18.4	17.3	15.3	12.5	8.9	2.8	
		50																	20.2	19.8	19.3	18.8	18.3	17.8	16.7	14.3	11.3	7.3	
SHUT-OFF PSI:										239	230	221	213	204	195	187	169	143	117	91	57	13							
16S50-38	5	0																			21.5	20.4	18.7	16.5	13.4	8.9	2.1		
		20																			20.9	19.6	17.7	15.2	11.5	6.1			
		30																			21.4	20.5	19.2	17.2	14.5	10.5	4.5		
		40																			21.1	20.2	18.8	16.7	13.7	9.3	2.7		
		50																			21.6	20.7	19.8	18.4	16.1	12.8	8.0	0.8	
SHUT-OFF PSI:																				314	288	262	227	184	141	98	54	11	

See 16S performance curves for higher head models.  
SPECIFICATIONS SUBJECT TO CHANGE WITHOUT NOTICE.

# 25S EASY SELECTION CHART

## 25 GPM

### SELECTION CHARTS

FLOW RANGE

PUMP OUTLET

(Ratings are in GALLONS PER MINUTE-GPM)

(18 TO 32 GPM)

1 1/2" NPT

		DEPTH TO PUMPING WATER LEVEL (LIFT) IN FEET																											
PUMP MODEL	HP	PSI	20	40	60	80	100	120	140	160	180	200	220	240	260	280	300	340	400	460	520	600	700	800	900	1000	1100		
25S05-3	1/2	20	18.6	6.5	3.3																								
		30	10.5																										
		40																											
		50																											
		60																											
SHUT-OFF PSI:			31	22	13	5																							
25S07-5	3/4	0			34.5	29.8	23.9	18.1																					
		20	32.9	28.6	21.8	15.1	7.5																						
		30	27.1	22.5	12.3	2.0																							
		40	19.5	11.8	5.8																								
		50	10.1																										
SHUT-OFF PSI:			57	48	39	31	22	13																					
25S10-7	1	0					31.3	28.5	24.3	20.2	12.7	5.1																	
		20			33.2	30.3	27.6	22.9	18.3	10.4	2.5	1.3																	
		30	33.0	29.9	26.5	23.1	13.0	9.6	4.8																				
		40	29.4	26.6	21.3	16.2	8.2																						
		50	25.3	21.5	14.3	7.0	3.5																						
SHUT-OFF PSI:			83	74	65	57	48	39	31	22	13	5																	
25S15-9	1 1/2	0						32.2	30.0	27.9	24.8	21.6	16.3	10.8															
		20				31.5	29.3	27.2	23.7	20.3	14.5	8.8	4.4																
		30			31.3	29.1	26.4	23.7	18.9	14.2	7.8	1.5																	
		40		30.8	28.6	26.3	22.6	18.8	12.8	6.8	3.4																		
		50	30.6	28.4	25.5	22.5	17.4	12.3	6.2																				
SHUT-OFF PSI:			109	100	91	83	74	65	57	48	39	31	22	13															
25S20-11	2	0						33.1	31.1	29.3	27.6	25.1	22.5	18.5	14.5	9.3													
		20					32.5	30.6	28.8	27.0	24.3	21.5	17.3	13.0	7.8	2.5													
		30				32.0	30.3	28.7	26.4	24.2	20.6	16.9	12.0	7.0	3.5														
		40			31.8	30.1	28.2	26.3	23.3	20.4	15.9	11.4	6.3																
		50		31.5	29.8	28.1	25.7	23.3	19.4	15.6	10.4	5.3	2.7																
SHUT-OFF PSI:			135	126	118	109	100	92	83	74	66	57	48	40	31	23													
25S30-15	3	0										32.3	31.0	29.8	28.4	27.1	25.2	20.7											
		20									31.8	30.6	29.3	28.0	26.6	24.6	22.7	19.8	13.5										
		30						33.0	31.7	30.4	29.2	27.8	26.2	24.5	22.1	19.7	16.4	9.3											
		40					32.8	31.5	30.3	29.0	27.5	26.0	24.0	21.9	19.0	16.1	12.4	4.9											
		50				32.6	31.3	30.0	28.7	27.4	25.7	23.8	21.3	18.8	15.3	12.0	8.2	2.2											
SHUT-OFF PSI:					170	161	152	144	135	126	118	109	100	92	83	74	66	48											
25S50-26	5	0																	32.5	30.3	28.0	25.3	19.9	10.2					
		20																	32.3	30.8	28.6	25.9	22.5	15.8	5.0				
		30																	32.1	31.3	29.9	27.7	24.7	20.8	13.5	2.5			
		40																	32.0	31.3	30.5	29.1	26.7	23.3	18.9	11.0			
		50																	32.7	31.8	31.2	30.4	29.7	28.2	25.5	21.8	16.8	8.5	
SHUT-OFF PSI:																		253	245	236	227	219	210	193	167	141	115	80	37

See 25S performance curves for higher head models.  
SPECIFICATIONS SUBJECT TO CHANGE WITHOUT NOTICE.



# 40S EASY SELECTION CHART

## 40 GPM

### SELECTION CHARTS

(Ratings are in GALLONS PER MINUTE-GPM)

FLOW RANGE  
(24 TO 55 GPM)

PUMP OUTLET  
2" NPT

		DEPTH TO PUMPING WATER LEVEL (LIFT) IN FEET																											
PUMP MODEL	HP	PSI	20	40	60	80	100	120	140	160	180	200	220	240	260	280	300	340	400	460	520	600	700	800	900	1000	1100		
40S10-3	1	20	46.2	33.0																									
		30	69.3																										
		40	92.4																										
		50	116																										
		60	139																										
SHUT-OFF PSI:		0	28	19	11	2																							
40S15-5	1 1/2	0	0				52.0	41.0	24.0																				
		20	46.2	57.0	50.0	37.0	18.0																						
		30	69.3	48.0	34.0	15.0																							
		40	92.4	31.0	11.0																								
		50	116	7.0																									
SHUT-OFF PSI:		0	52	44	35	26	18	9																					
40S20-7	2	0	0					54.0	49.0	40.0	29.0	15.0																	
		20	46.2			53.0	46.0	37.0	25.0	10.0																			
		30	69.3			52.0	45.0	35.0	23.0	8.0																			
		40	92.4			51.0	44.0	33.0	21.0	5.0																			
		50	116			42.0	32.0	18.0	2.0																				
SHUT-OFF PSI:		0	77	68	59	51	42	33	25	16	7																		
40S30-9	3	0	0							53.0	47.0	41.0	32.0	22.0															
		20	46.2						51.0	45.0	38.0	29.0	19.0																
		30	69.3					50.0	44.0	37.0	28.0	17.0																	
		40	92.4			54.0	50.0	43.0	35.0	26.0	15.0																		
		50	116			54.0	49.0	42.0	34.0	24.0	13.0																		
SHUT-OFF PSI:		0	102	94	85	76	68	59	50	42	33	24	16	7															
40S50-12	5	0	0								53.0	49.0	44.0	39.0	32.0	25.0	16.0												
		20	46.2								52.0	48.0	43.0	37.0	30.0	22.0	13.0												
		30	69.3									51.0	47.0	42.0	36.0	29.0	21.0	12.0											
		40	92.4									51.0	46.0	41.0	35.0	28.0	20.0	11.0											
		50	116					54.0	50.0	45.0	40.0	34.0	26.0	18.0	9.0														
SHUT-OFF PSI:		0				130	122	113	104	96	87	78	70	61	52	44	35	26	18										
40S50-15	5	0	0									52.0	49.0	46.0	42.0	37.0	26.0												
		20	46.2									51.0	48.0	45.0	40.0	35.0	30.0	24.0											
		30	69.3									51.0	48.0	44.0	40.0	35.0	29.0	23.0	16.0										
		40	92.4									51.0	47.0	43.0	39.0	34.0	28.0	21.0	14.0										
		50	116									50.0	47.0	43.0	38.0	33.0	27.0	20.0	13.0										
SHUT-OFF PSI:		0						141	132	124	115	107	98	89	81	72	63	55	37	11									
40S75-21	7 1/2	0	0															49.0	41.0	29.0	15.0								
		20	46.2																53.0	51.0	48.0	43.0	32.0	19.0					
		30	69.3																52.0	50.0	48.0	45.0	39.0	27.0	13.0				
		40	92.4																52.0	50.0	48.0	45.0	42.0	35.0	22.0	6.0			
		50	116																52.0	50.0	47.0	44.0	41.0	38.0	30.0	16.0			
SHUT-OFF PSI:		0																181	172	163	155	146	137	129	111	85	59	33	
40S75-25	7 1/2	0	0																	51.0	45.0	37.0	23.0						
		20	46.2																		52.0	47.0	39.0	29.0	14.0				
		30	69.3																		54.0	50.0	44.0	35.0	25.0				
		40	92.4																		54.0	52.0	48.0	41.0	32.0	21.0			
		50	116																		53.0	52.0	50.0	45.0	38.0	28.0			
SHUT-OFF PSI:		0																		203	194	186	177	160	134	108	82	47	
*40S100-30 40S100-30	10	0	0																		53.0	49.0	41.0	27.0					
		20	46.2																			54.0	50.0	44.0	35.0	20.0			
		30	69.3																			52.0	48.0	42.0	32.0	16.0			
		40	92.4																			51.0	46.0	39.0	28.0	12.0			
		50	116																			49.0	43.0	36.0	25.0	8.0			
SHUT-OFF PSI:		0																			222	196	170	144	110	66	23		

\* 6" Motor

See 40S performance curves for higher head models.

SPECIFICATIONS SUBJECT TO CHANGE WITHOUT NOTICE.



# 60S EASY SELECTION CHART

## 60 GPM

### SELECTION CHARTS

(Ratings are in GALLONS PER MINUTE-GPM)

FLOW RANGE  
(40 TO 75 GPM)

PUMP OUTLET  
2" NPT

DEPTH TO PUMPING WATER LEVEL (LIFT) IN FEET

PUMP MODEL	HP	PSI	20	40	60	80	100	120	140	160	180	200	220	240	260	280	300	340	400	460	520	600	700	800	900	1000	1100				
60S20-4	2	20	72.3	64.5	38.6	12.7	6.3																								
		30	58.6	44.9	22.4																										
		40	30.4																												
		50	17.9																												
		60																													
SHUT-OFF PSI:			46	37	29	20	11	3																							
60S30-5	3	0				74.8	66.8	58.8	34.3																						
		20	77.8	72.9	63.8	54.8	27.4																								
		30	76.0	64.3	47.3	30.0	15.0																								
		40	60.4	49.9	25.0																										
		50	40.4	19.4	9.8																										
SHUT-OFF PSI:			60	51	42	34	25	16	8																						
60S50-7	5	0					77.5	73.8	68.4	63.1	52.2	41.3																			
		20			76.3	72.4	66.6	61.1	48.3	35.8	17.9																				
		30		76.0	71.3	66.5	57.8	49.2	24.6																						
		40	75.1	71.0	64.6	58.2	43.8	29.4	14.8																						
		50	69.7	64.6	54.8	44.9	22.5																								
SHUT-OFF PSI:			88	80	71	62	54	45	36	28	19	10																			
60S50-9	5	0						74.8	71.7	67.3	63.0	55.6	48.2	32.8	17.3																
		20					73.8	70.5	65.9	61.3	53.0	44.8	27.5	10.2	5.1																
		30			76.5	73.5	69.6	65.7	59.4	53.2	40.7	28.1	14.0																		
		40		76.2	72.8	69.3	64.3	59.4	50.3	41.0	20.5																				
		50	75.5	72.5	68.3	64.2	57.3	50.4	36.3	22.2	11.1																				
SHUT-OFF PSI:			115	106	98	89	81	72	63	55	46	37	29	20	11	3															
*60S75-13	7 1/2	0								77.3	75.4	73.1	70.7	67.8	64.8	60.7	50.0	21.5													
		20						76.8	74.8	72.3	69.9	66.8	63.8	59.3	55.0	47.9	28.9														
		30						76.6	74.3	72.1	69.3	66.6	62.8	59.2	53.3	47.7	38.2	14.3													
		40					76.2	74.1	71.6	69.1	65.8	62.7	57.9	53.3	45.6	37.9	25.0	6.0													
		50				75.9	73.6	71.3	68.4	65.6	61.7	57.7	51.6	45.4	35.0	24.7	12.3														
SHUT-OFF PSI:					152	143	134	126	117	108	100	91	82	74	65	56	48	30	4												
*60S100-18	10	0												76.5	75.0	73.3	69.8	63.1	52.6	35.8											
		20												76.1	74.6	72.8	71.2	69.2	64.7	55.8	40.0	14.2									
		30												75.9	74.3	72.7	70.8	68.9	66.7	61.6	50.9	31.5									
		40											75.7	74.1	72.3	70.6	68.5	66.5	63.9	58.0	45.0	20.7									
		50									75.4	73.8	72.1	70.2	68.3	66.0	63.7	60.7	53.6	37.5	10.0										
SHUT-OFF PSI:								186	177	169	160	152	143	134	126	117	100	74	46	22											

\* 6" Motor  
SPECIFICATIONS SUBJECT TO CHANGE WITHOUT NOTICE.

# 75S EASY SELECTION CHART

## 75 GPM

### SELECTION CHARTS

FLOW RANGE  
(45 TO 95 GPM)

PUMP OUTLET  
2" NPT

(Ratings are in GALLONS PER MINUTE-GPM)

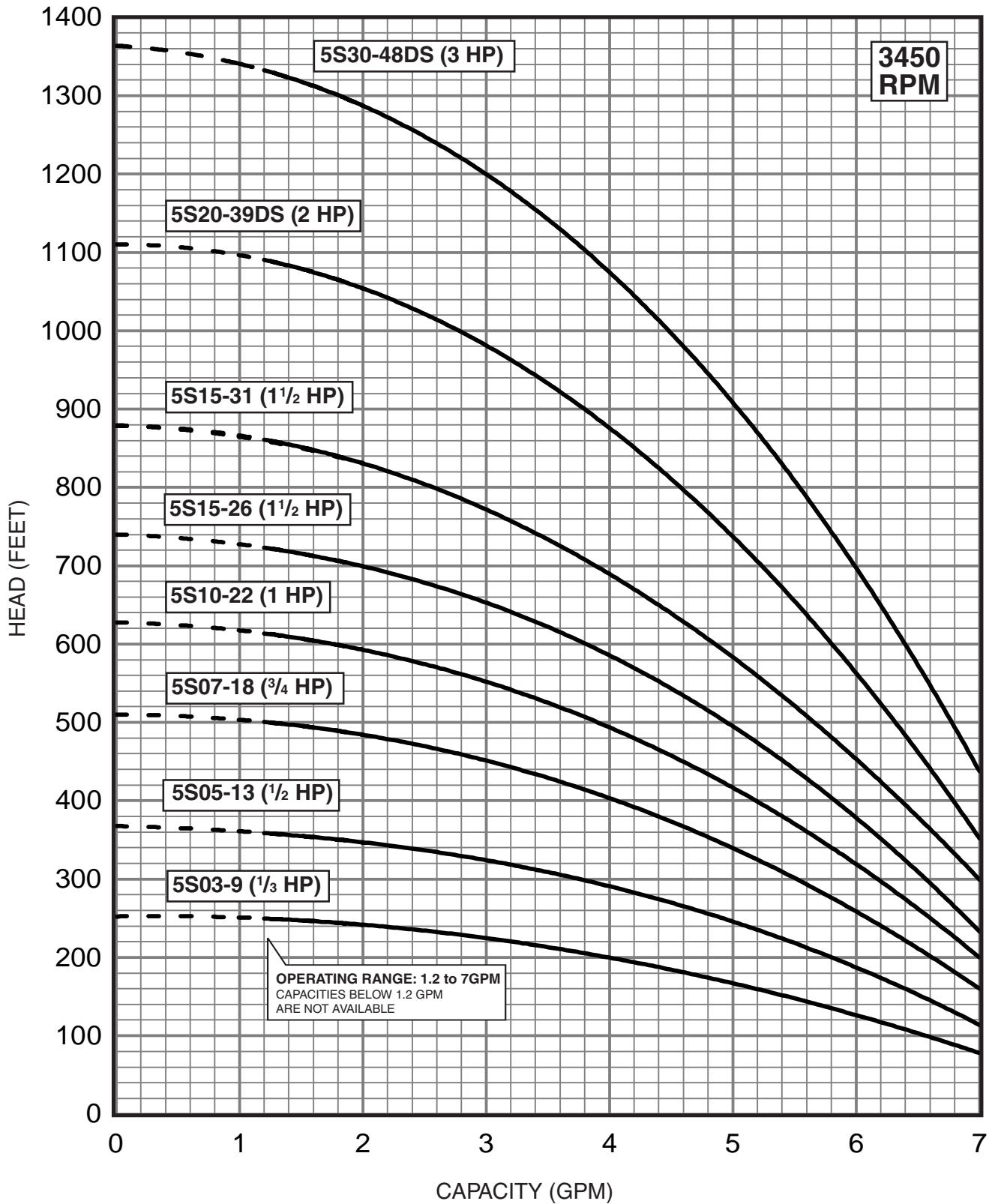
		DEPTH TO PUMPING WATER LEVEL (LIFT) IN FEET																												
PUMP MODEL	HP	PSI	20	40	60	80	100	120	140	160	180	200	220	240	260	280	300	340	400	460	520	600	700	800	900	1000	1100			
75S20-3	2	20	69.6	45.8	22.9																									
		30	36.2																											
		40	12.4																											
		50																												
		60																												
SHUT-OFF PSI:			32	23	14	6																								
75S30-5	3	0			89.8	90.2	78.8	67.6																						
		20	96.3	86.8	74.8	62.9	31.5																							
		30	85.8	74.2	51.8	29.5	14.8																							
		40	70.2	57.1	28.6																									
		50	35.3																											
SHUT-OFF PSI:			58	49	41	32	23	15																						
75S50-8	5	0						93.3	86.5	79.6	72.0	64.5	46.9	29.4																
		20			97.4	91.3	84.7	77.5	69.4	61.3	40.3	19.4	9.8																	
		30		96.9	90.1	83.3	76.3	69.3	56.3	43.1	21.6																			
		40	95.5	89.1	82.3	75.4	66.5	57.5	28.8																					
		50	88.0	81.2	73.9	66.7	51.2	35.8	17.9																					
SHUT-OFF PSI:			98	90	81	72	64	55	46	38	29	20	12	3																
*75S75-11	7 1/2	0								97.8	93.3	88.8	84.3	79.8	75.1	70.4	63.7	43.4												
		20						96.5	92.0	87.4	82.9	78.3	73.5	68.8	61.4	54.0	38.8	11.8												
		30					95.7	91.3	86.8	82.2	77.6	73.1	67.3	61.4	50.3	39.3	19.7													
		40				95.2	90.6	86.0	81.5	77.0	72.0	67.0	58.9	50.8	33.5	16.3	8.2													
		50			94.3	89.9	85.3	80.8	76.2	71.6	65.3	59.0	46.6	34.2	17.1															
SHUT-OFF PSI:			151	142	133	125	116	107	99	90	81	73	64	55	47	38	29	12												
*75S100-15	10	0											96.7	93.4	90.0	86.5	83.2	76.3	64.7	40.9										
		20										95.7	92.4	88.9	85.5	82.1	78.7	75.2	67.4	49.3	12.5									
		30									95.3	91.8	88.4	85.0	81.5	78.2	74.8	70.9	61.6	37.1										
		40						98.0	94.7	91.3	87.8	84.4	81.0	77.7	74.1	70.6	66.0	54.0	19.9											
		50					97.3	94.3	90.8	87.3	83.9	80.5	77.1	73.7	69.7	65.8	59.8	43.5												
SHUT-OFF PSI:						178	170	161	152	144	135	126	118	109	100	92	83	66	40	14										

\* 6" Motor Performance is the same at Best Efficiency Point only, consult factory for actual performance.  
SPECIFICATIONS SUBJECT TO CHANGE WITHOUT NOTICE.

FLOW RANGE: 1.2 - 7 GPM

OUTLET SIZE: 1" NPT

NOMINAL DIA. 4"



SPECIFICATIONS SUBJECT TO CHANGE WITHOUT NOTICE.  
4" MOTOR STANDARD, 3450 RPM.

Performance conforms to ISO 9906. 1999 (E) Annex A  
Minimum submergence is 2 feet.

**DIMENSIONS AND WEIGHTS**

MODEL NO.	FIG.	HP	MOTOR SIZE	DISCH. SIZE	DIMENSIONS IN INCHES					APPROX. SHIP WT.
					A	B	C	D	E	
5S03-9	A	1/3	4"	1" NPT	22.3	8.8	13.5	3.8	3.9	27
5S05-13	A	1/2	4"	1" NPT	26.4	9.5	16.9	3.8	3.9	31
5S07-18	A	3/4	4"	1" NPT	31.7	10.7	21.0	3.8	3.9	34
5S10-22	A	1	4"	1" NPT	36.1	11.8	24.3	3.8	3.9	42
5S15-26	A	1 1/2	4"	1" NPT	41.2	13.6	27.6	3.8	3.9	46
5S15-31	A	1 1/2	4"	1" NPT	47.1	13.6	33.5	3.8	3.9	58
5S20-39DS	A	2	4"	1" NPT	55.2	15.1	40.1	3.8	3.9	65
5S30-48DS	A	3	4"	1" NPT	70.0	20.6	45.8	3.8	3.9	90

NOTES: All models suitable for use in 4" wells.  
Weights include pump end with motor in lbs.

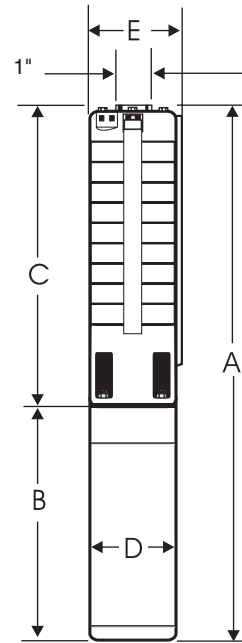


Fig. A

**MATERIALS OF CONSTRUCTION**

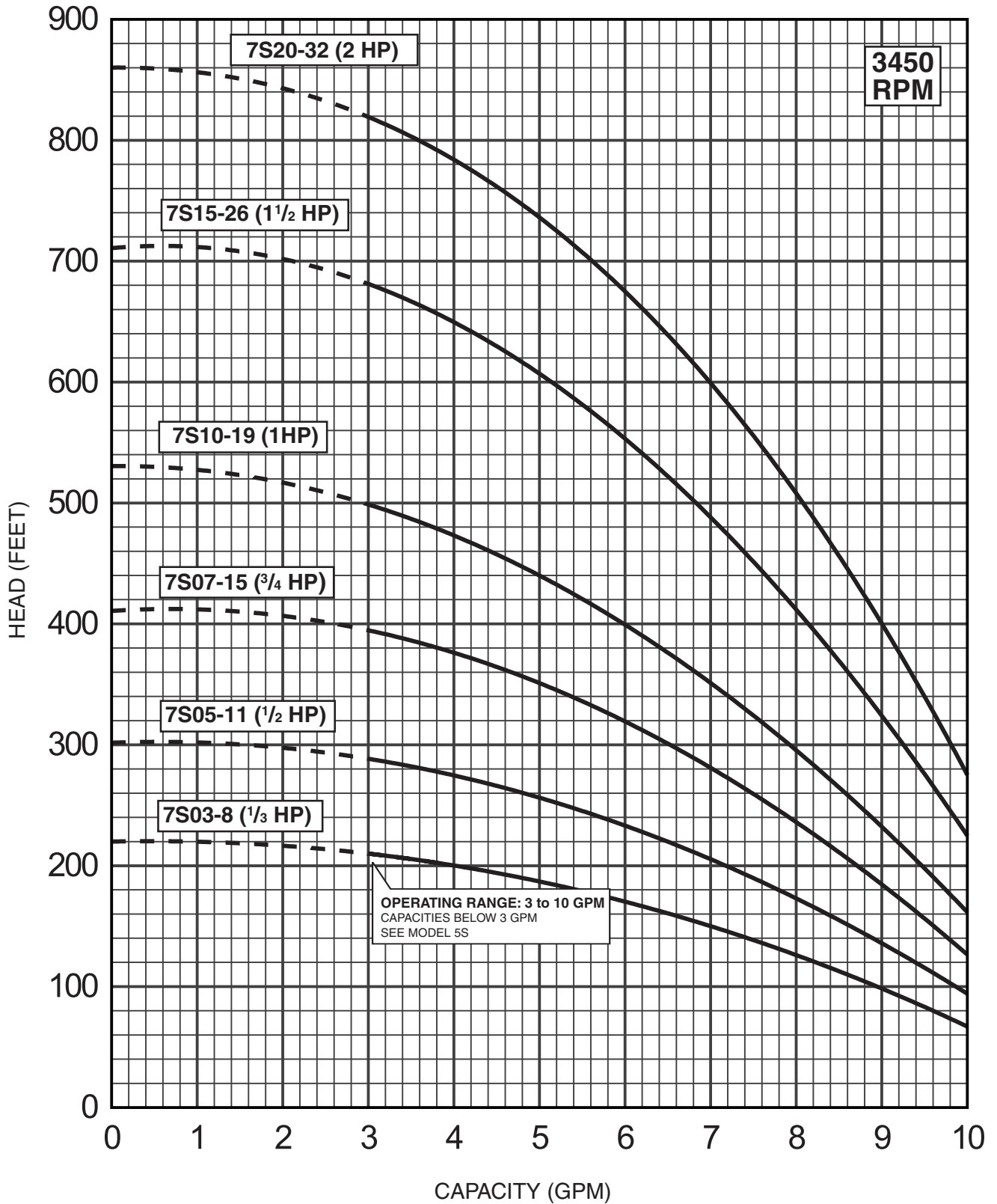
COMPONENT	SPLINED SHAFT (9-26 Stgs.)	CYLINDRICAL SHAFT (31-48 Stgs.)
Check Valve Housing	304 Stainless Steel	304 Stainless Steel
Check Valve	304 Stainless Steel	304 Stainless Steel
Diffuser Chamber	304 Stainless Steel	304 Stainless Steel
Impeller	304 Stainless Steel	304 Stainless Steel
Suction Interconnector	304 Stainless Steel	304 Stainless Steel
Inlet Screen	304 Stainless Steel	304 Stainless Steel
Pump Shaft	304 Stainless Steel	431 Stainless Steel
Straps	304 Stainless Steel	304 Stainless Steel
Cable Guard	304 Stainless Steel	304 Stainless Steel
Priming Inducer	304 Stainless Steel	316 Stainless Steel
Coupling	329/420/431 Stainless Steel	329/420/431 Stainless Steel
Check Valve Seat	NBR/304 Stainless Steel	NBR/316 Stainless Steel
Top Bearing	NBR/304 Stainless Steel	NBR/316 Stainless Steel
Impeller Seal Ring	NBR/PBT (Valox®)	NBR/PPS (Ryton®)
Intermediate Bearings	NBR	304 Stainless Steel
Shaft Washer	Not Required	LCP (Vectra®)
Split Cone	Not Required	304 Stainless Steel
Split Cone Nut	Not Required	316 Stainless Steel

NOTES: Specifications subject to change without notice.  
Valox® is a registered trademark of General Electric Co.  
Vectra® is a registered trademark of Hoechst Calanese Corporation.  
Ryton® is a registered trademark of Phillips 66.

FLOW RANGE: 3 -10 GPM

OUTLET SIZE: 1" NPT

NOMINAL DIA. 4"



SPECIFICATIONS SUBJECT TO CHANGE WITHOUT NOTICE.  
4" MOTOR STANDARD, 3450 RPM.

Performance conforms to ISO 9906: 1999 (E) Annex A  
Minimum submergence is 2 feet.

**DIMENSIONS AND WEIGHTS**

MODEL NO.	FIG.	HP	MOTOR SIZE	DISCH. SIZE	DIMENSIONS IN INCHES					APPROX. SHIP WT.
					A	B	C	D	E	
7S03-8	A	1/3	4"	1" NPT	21.5	8.8	12.7	3.8	3.9	27
7S05-11	A	1/2	4"	1" NPT	24.7	9.5	15.2	3.8	3.9	30
7S07-15	A	3/4	4"	1" NPT	29.2	10.7	18.5	3.8	3.9	33
7S10-19	A	1	4"	1" NPT	33.6	11.8	21.8	3.8	3.9	36
7S15-26	A	1 1/2	4"	1" NPT	41.2	13.6	27.6	3.8	3.9	46
7S20-32	A	2	4"	1" NPT	48.5	14.0	34.5	3.8	3.9	59

NOTES: All models suitable for use in 4" wells.  
Weights include pump end with motor in lbs.

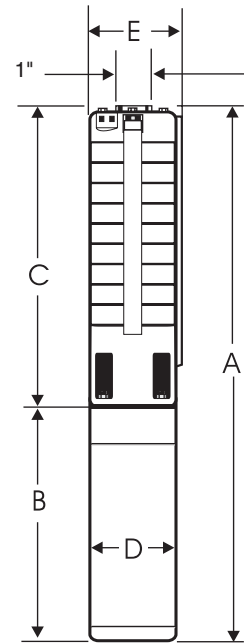


Fig. A

**MATERIALS OF CONSTRUCTION**

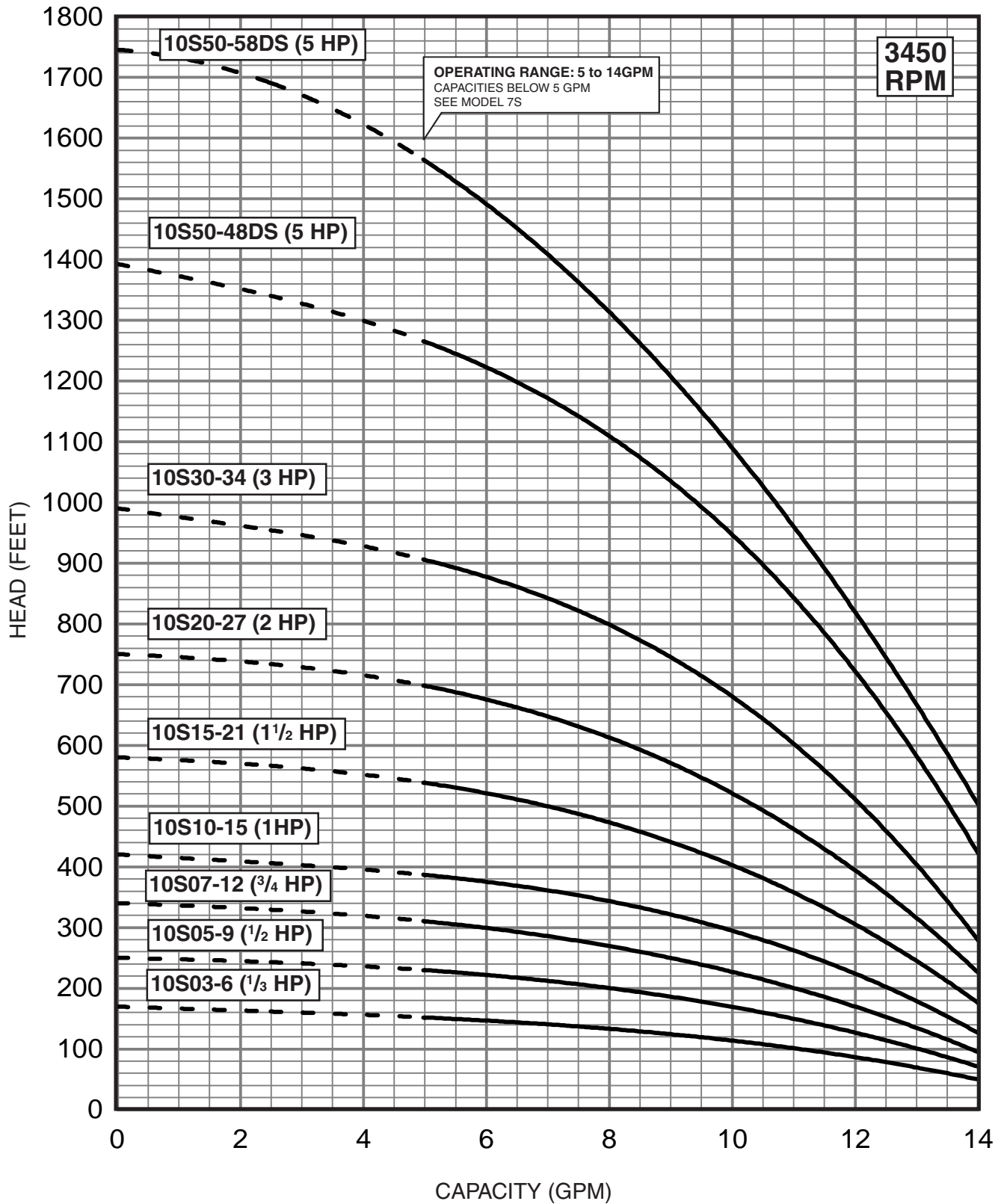
COMPONENT	SPLINE SHAFT
Check Valve Housing	304 Stainless Steel
Check Valve	304 Stainless Steel
Diffuser Chamber	304 Stainless Steel
Impeller	304 Stainless Steel
Suction Interconnector	304 Stainless Steel
Inlet Screen	304 Stainless Steel
Pump Shaft	304 Stainless Steel
Straps	304 Stainless Steel
Cable Guard	304 Stainless Steel
Priming Inducer	304 Stainless Steel
Coupling	316/431 Stainless Steel
Check Valve Seat	NBR/304 Stainless Steel
Top Bearing	NBR
Impeller Seal Ring	NBR/PBT (Valox®)
Intermediate Bearings	NBR

NOTES: Specifications subject to change without notice.  
Valox® is a registered trademark of General Electric Co.

FLOW RANGE: 5 -14 GPM

OUTLET SIZE: 1 1/4 " NPT

NOMINAL DIA. 4"



SPECIFICATIONS SUBJECT TO CHANGE WITHOUT NOTICE.  
4" MOTOR STANDARD, 3450 RPM.

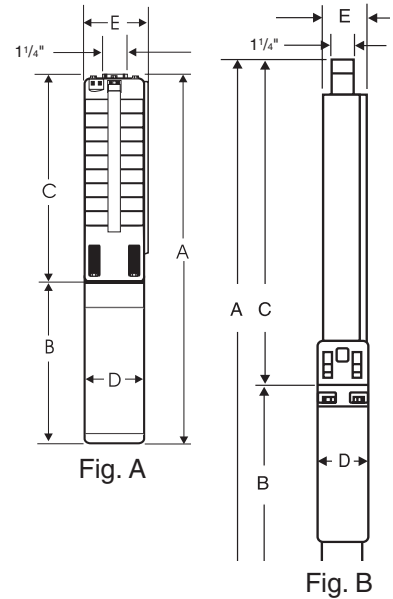
Performance conforms to ISO 9906: 1999 (E) Annex A  
Minimum submergence is 2 feet.



**DIMENSIONS AND WEIGHTS**

MODEL NO.	FIG.	HP	MOTOR SIZE	DISCH. SIZE	DIMENSIONS IN INCHES					APPROX. SHIP WT.
					A	B	C	D	E	
10S03-6	A	1/3	4"	1 1/4" NPT	19.9	8.8	11.1	3.8	3.9	26
10S05-9	A	1/2	4"	1 1/4" NPT	23.0	9.5	13.5	3.8	3.9	29
10S07-12	A	3/4	4"	1 1/4" NPT	26.7	10.7	16.0	3.8	3.9	32
10S10-15	A	1	4"	1 1/4" NPT	30.3	11.8	18.5	3.8	3.9	34
10S15-21	A	1 1/2	4"	1 1/4" NPT	37.1	13.6	23.5	3.8	3.9	44
10S20-27	A	2	4"	1 1/4" NPT	43.5	15.1	28.4	3.8	3.9	49
10S30-34	A	3	4"	1 1/4" NPT	54.7	20.6	34.1	3.8	3.9	83
10S50-48DS	A	5	4"	1 1/4" NPT	71.3	23.6	47.7	3.8	3.9	115
10S50-58DS*	B	5	4"	1 1/4" MPT	88.2	23.6	64.5	3.8	4.3	142

NOTES: All models suitable for use in 4" wells, unless otherwise noted.  
 Weights include pump end with motor in lbs.  
 \* Built into sleeve 1 1/4" MPT discharge, 5" min. well dia.



**MATERIALS OF CONSTRUCTION**

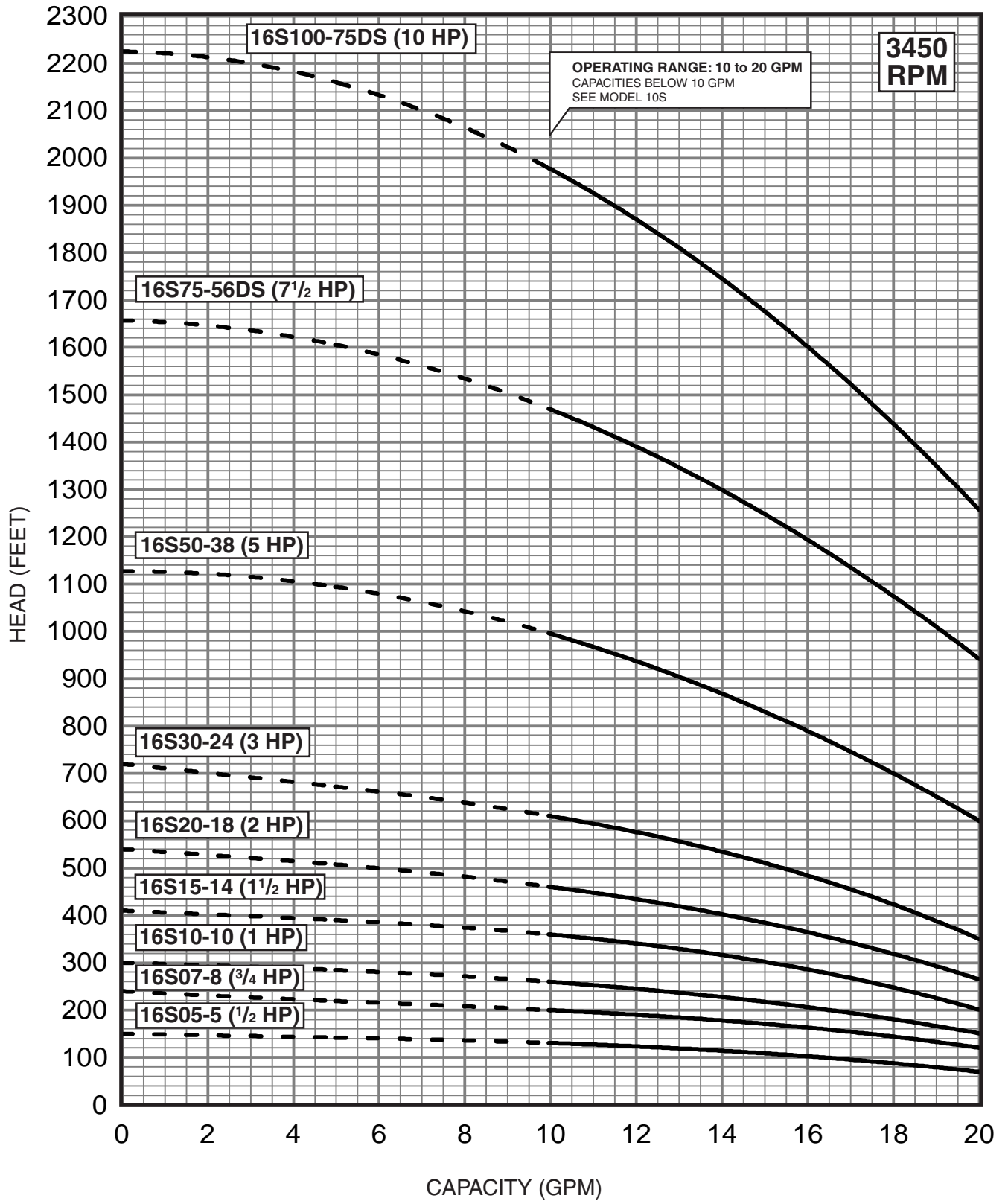
COMPONENT	SPLINED SHAFT (6-27 Stgs.)	CYLINDRICAL SHAFT (34-48 Stgs.)	DEEP SET (58 Stgs.)
Check Valve Housing	304 Stainless Steel	304 Stainless Steel	304 Stainless Steel
Check Valve	304 Stainless Steel	304 Stainless Steel	304 Stainless Steel
Diffuser Chamber	304 Stainless Steel	304 Stainless Steel	304 Stainless Steel
Impeller	304 Stainless Steel	304 Stainless Steel	304 Stainless Steel
Suction Interconnector	304 Stainless Steel	304 Stainless Steel	304 Stainless Steel
Inlet Screen	304 Stainless Steel	304 Stainless Steel	304 Stainless Steel
Pump Shaft	304 Stainless Steel	431 Stainless Steel	431 Stainless Steel
Straps	304 Stainless Steel	304 Stainless Steel	304 Stainless Steel
Cable Guard	304 Stainless Steel	304 Stainless Steel	304 Stainless Steel
Priming Inducer	304 Stainless Steel	304 Stainless Steel	304 Stainless Steel
Coupling	316/431 Stainless Steel	316/431 Stainless Steel	316/431 Stainless Steel
Check Valve Seat	NBR/304 Stainless Steel	NBR/316 Stainless Steel	NBR/316 Stainless Steel
Top Bearing	NBR	NBR/316 Stainless Steel	NBR/316 Stainless Steel
Impeller Seal Ring	NBR/PBT (Valox®)	NBR/PPS (Ryton®)	NBR/PPS (Ryton®)
Intermediate Bearings	NBR	304 Stainless Steel	NBR/316 Stainless Steel
Shaft Washer	Not Required	LCP (Vectra®)	LCP (Vectra®)
Split Cone	Not Required	304 Stainless Steel	304 Stainless Steel
Split Cone Nut	Not Required	316 Stainless Steel	304 Stainless Steel
Sleeve	Not Required	Not Required	316 Stainless Steel
Sleeve Flange	Not Required	Not Required	Zinless Bronze*

NOTES: Specifications subject to change without notice.  
 Valox® is a registered trademark of General Electric Co.  
 Vectra® is a registered trademark of Hoechst Calanese Corporation.  
 Ryton® is a registered trademark of Phillips 66.  
 \* Stainless Steel option available.

FLOW RANGE: 10 -20 GPM

OUTLET SIZE: 1 1/4 " NPT

NOMINAL DIA. 4"



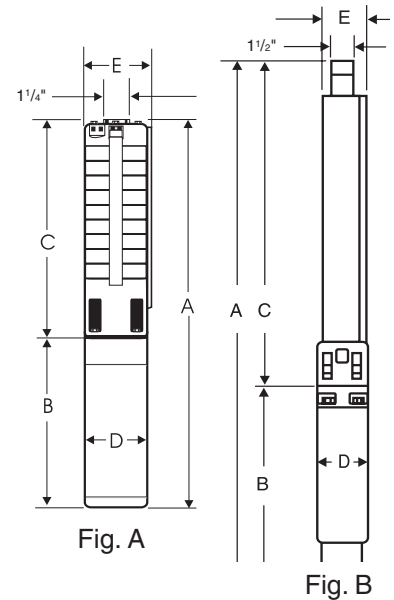
SPECIFICATIONS SUBJECT TO CHANGE WITHOUT NOTICE.  
4" MOTOR STANDARD, .5 -5 HP/3450 RPM.  
6" MOTOR STANDARD, 7.5 -10HP/3450 RPM.

Performance conforms to ISO 9906. 1999 (E) Annex A  
Minimum submergence is 2 feet.

**DIMENSIONS AND WEIGHTS**

MODEL NO.	FIG.	HP	MOTOR SIZE	DISCH. SIZE	DIMENSIONS IN INCHES					APPROX. SHIP WT.
					A	B	C	D	E	
16S05-5	A	1/2	4"	1 1/4" NPT	19.7	9.5	10.2	3.8	3.9	27
16S07-8	A	3/4	4"	1 1/4" NPT	23.4	10.7	12.7	3.8	3.9	29
16S10-10	A	1	4"	1 1/4" NPT	26.2	11.8	14.4	3.8	3.9	32
16S15-14	A	1 1/2	4"	1 1/4" NPT	32.8	15.1	17.7	3.8	3.9	36
16S20-18	A	2	4"	1 1/4" NPT	36.0	15.1	20.9	3.8	3.9	40
16S30-24	A	3	4"	1 1/4" NPT	46.5	20.6	25.9	3.8	3.9	64
16S50-38	A	5	4"	1 1/4" NPT	61.1	23.6	37.5	3.8	3.9	94
16S75-56DS*	B	7 1/2	6"	1 1/4" MPT	93.0	24.2	68.8	5.4	4.6	220
16S100-75DS*	B	10	6"	1 1/4" MPT	109.9	25.4	84.5	5.4	4.6	245

NOTES: All models suitable for use in 4" wells, unless otherwise noted.  
 Weights include pump end with motor in lbs..  
 \* Built into sleeve 1 1/4" MPT discharge, 6" min. well dia.



**MATERIALS OF CONSTRUCTION**

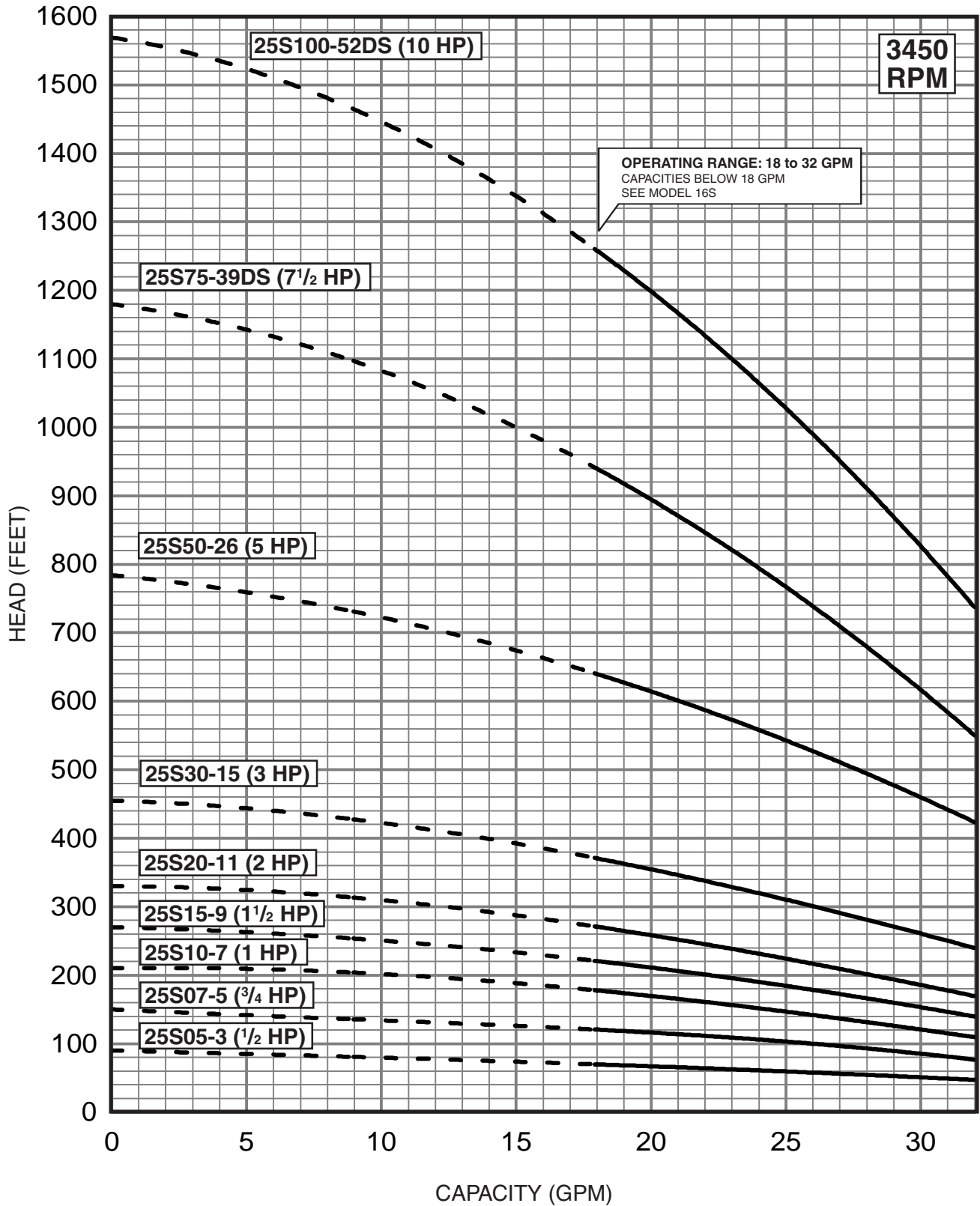
COMPONENT	SPLINED SHAFT (5-24 Stgs.)	CYLINDRICAL SHAFT (38 Stgs.)	DEEP SET (56-75 Stgs.)
Check Valve Housing	304 Stainless Steel	304 Stainless Steel	304 Stainless Steel
Check Valve	304 Stainless Steel	304 Stainless Steel	304 Stainless Steel
Diffuser Chamber	304 Stainless Steel	304 Stainless Steel	304 Stainless Steel
Impeller	304 Stainless Steel	304 Stainless Steel	304 Stainless Steel
Suction Interconnector	304 Stainless Steel	304 Stainless Steel	304 Stainless Steel
Inlet Screen	304 Stainless Steel	304 Stainless Steel	304 Stainless Steel
Pump Shaft	304 Stainless Steel	431 Stainless Steel	431 Stainless Steel
Straps	304 Stainless Steel	304 Stainless Steel	304 Stainless Steel
Cable Guard	304 Stainless Steel	304 Stainless Steel	304 Stainless Steel
Priming Inducer	304 Stainless Steel	304 Stainless Steel	304 Stainless Steel
Coupling	316/431 Stainless Steel	316/431 Stainless Steel	329/416 Stainless Steel**
Check Valve Seat	NBR/304 Stainless Steel	NBR/316 Stainless Steel	NBR/316 Stainless Steel
Top Bearing	NBR	NBR/316 Stainless Steel	NBR/316 Stainless Steel
Impeller Seal Ring	NBR/PBT (Valox®)	NBR/PPS (Ryton®)	NBR/PPS (Ryton®)
Intermediate Bearings	NBR	304 Stainless Steel	NBR/316 Stainless Steel
Shaft Washer	Not Required	LCP (Vectra®)	LCP (Vectra®)
Split Cone	Not Required	304 Stainless Steel	304 Stainless Steel
Split Cone Nut	Not Required	316 Stainless Steel	304 Stainless Steel
Sleeve	Not Required	Not Required	316 Stainless Steel
Sleeve Flange	Not Required	Not Required	304 Stainless Steel
Coupling Key	Not Required	Not Required	302/304 Stainless Steel**

NOTES: Specifications are subject to change without notice.  
 Valox® is a registered trademark of General Electric Co.  
 Vectra® is a registered trademark of Hoechst Calanese Corporation.  
 Ryton® is a registered trademark of Phillips 66.  
**\*Stainless Steel option available.**  
 \*\* If using 4" non-standard motors, refer to 329/420/431 Stainless Steel for coupling.  
 A coupling key is not required.

FLOW RANGE: 18 -32 GPM

OUTLET SIZE: 1½ " NPT

NOMINAL DIA. 4"



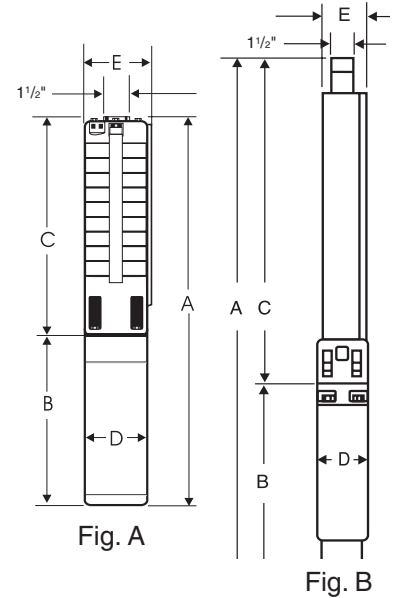
SPECIFICATIONS SUBJECT TO CHANGE WITHOUT NOTICE.  
4" MOTOR STANDARD, .5-5 HP/3450 RPM.  
6" MOTOR STANDARD, 7.5-10HP/3450 RPM.

Performance conforms to ISO 9906: 1999 (E) Annex A  
Minimum submergence is 2 feet.

**DIMENSIONS AND WEIGHTS**

MODEL NO.	FIG.	HP	MOTOR SIZE	DISCH. SIZE	DIMENSIONS IN INCHES					APPROX. SHIP WT.
					A	B	C	D	E	
25S05-3	A	1/2	4"	1 1/2" NPT	18.1	9.5	8.6	3.8	3.9	26
25S07-5	A	3/4	4"	1 1/2" NPT	20.9	10.7	10.2	3.8	3.9	28
25S10-7	A	1	4"	1 1/2" NPT	23.7	11.8	11.9	3.8	3.9	29
25S15-9	A	1 1/2	4"	1 1/2" NPT	27.1	13.6	13.5	3.8	3.9	34
25S20-11	A	2	4"	1 1/2" NPT	30.3	15.1	15.2	3.8	3.9	37
25S30-15	A	3	4"	1 1/2" NPT	39.1	20.6	18.5	3.8	3.9	59
25S50-26	A	5	4"	1 1/2" NPT	51.2	23.6	27.6	3.8	3.9	76
25S75-39DS	A	7 1/2	6"	1 1/2" NPT	66.8	24.2	42.6	5.4	4.6	168
25S100-52DS*	B	10	6"	1 1/2" MPT	90.9	25.4	65.5	5.4	5.4	226

NOTES: All models suitable for use in 4" wells, unless otherwise noted.  
 Weights include pump end with motor in lbs.  
 \* Built into sleeve 1 1/2" MPT discharge, 6" min. well dia.



**MATERIALS OF CONSTRUCTION**

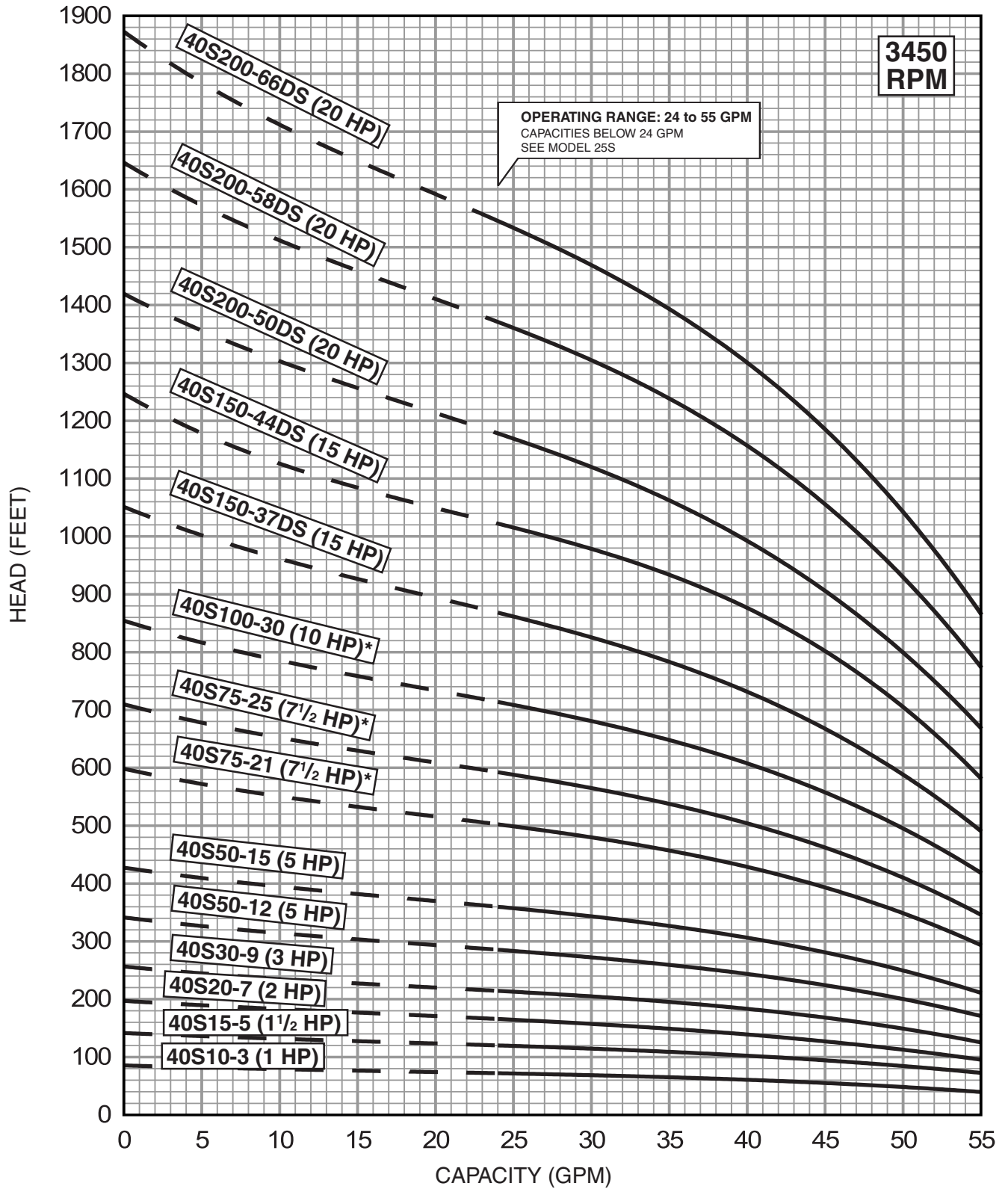
COMPONENT	SPLINED SHAFT (3-26 Stgs.)	CYLINDRICAL SHAFT (39 Stgs.)	DEEP SET (52 Stgs)
Check Valve Housing	304 Stainless Steel	304 Stainless Steel	304 Stainless Steel
Check Valve	304 Stainless Steel	304 Stainless Steel	304 Stainless Steel
Diffuser Chamber	304 Stainless Steel	304 Stainless Steel	304 Stainless Steel
Impeller	304 Stainless Steel	304 Stainless Steel	304 Stainless Steel
Suction Interconnector	304 Stainless Steel	304 Stainless Steel	304 Stainless Steel
Inlet Screen	304 Stainless Steel	304 Stainless Steel	304 Stainless Steel
Pump Shaft	304 Stainless Steel	431 Stainless Steel	431 Stainless Steel
Straps	304 Stainless Steel	304 Stainless Steel	304 Stainless Steel
Cable Guard	304 Stainless Steel	304 Stainless Steel	304 Stainless Steel
Priming Inducer	304 Stainless Steel	304 Stainless Steel	304 Stainless Steel
Coupling	316/431 Stainless Steel	316/431 Stainless Steel	329/416 Stainless Steel**
Check Valve Seat	NBR/304 Stainless Steel	NBR/316 Stainless Steel	NBR/316 Stainless Steel
Top Bearing	NBR	NBR/316 Stainless Steel	NBR/316 Stainless Steel
Impeller Seal Ring	NBR/PBT (Valox®)	NBR/PPS (Ryton®)	NBR/PPS (Ryton®)
Intermediate Bearings	NBR	304 Stainless Steel	NBR/316 Stainless Steel
Shaft Washer	Not Required	LCP (Vectra®)	LCP (Vectra®)
Split Cone	Not Required	304 Stainless Steel	304 Stainless Steel
Split Cone Nut	Not Required	316 Stainless Steel	304 Stainless Steel
Sleeve	Not Required	Not Required	316 Stainless Steel
Sleeve Flange	Not Required	Not Required	304 Stainless Steel
Coupling Key	Not Required	Not Required	302/304 Stainless Steel**

NOTES: Specifications are subject to change without notice.  
 Valox® is a registered trademark of General Electric Co.  
 Vectra® is a registered trademark of Hoechst Calanese Corporation.  
 Ryton® is a registered trademark of Phillips 66.  
**\*Stainless Steel option available.**  
 \*\* If using 4" non-standard motors, refer to 329/420/431 Stainless Steel for coupling.  
 A coupling key is not required.

FLOW RANGE: 24 - 55 GPM

OUTLET SIZE: 2 " NPT

NOMINAL DIA. 4"



SPECIFICATIONS SUBJECT TO CHANGE WITHOUT NOTICE.  
 4" MOTOR STANDARD, 1-10 HP/3450 RPM.  
 6" MOTOR STANDARD, 15-20 HP/3450 RPM.  
 \* Also available with 6" motor.

Performance conforms to ISO 9906: 1999 (E) Annex A  
 Minimum submergence is 5 feet.

**DIMENSIONS AND WEIGHTS**

MODEL NO.	FIG.	HP	MOTOR SIZE	DISCH. SIZE	DIMENSIONS IN INCHES					APPROX. SHIP WT.
					A	B	C	D	E	
40S10-3	A	1	4"	2" NPT	24.6	11.8	12.8	3.8	3.9	32
40S15-5	A	1 1/2	4"	2" NPT	29.7	13.6	16.1	3.8	3.9	37
40S20-7	A	2	4"	2" NPT	34.5	15.1	19.4	3.8	3.9	41
40S30-9	A	3	4"	2" NPT	43.3	20.6	22.7	3.8	3.9	65
40S50-12	A	5	4"	2" NPT	51.3	23.6	27.7	3.8	3.9	78
40S50-15	A	5	4"	2" NPT	56.2	23.6	32.6	3.8	3.9	84
40S75-21*	A	7 1/2	4"	2" NPT	74.6	29.6	45.0	3.8	3.9	120
40S75-25*	A	7 1/2	4"	2" NPT	81.2	29.6	51.6	3.8	3.9	124
40S100-30*	A	10	4"	2" NPT	103.7	43.9	59.8	3.8	3.9	181
40S150-37DS	A	15	6"	2" NPT	99.5	28.0	71.5	5.4	5.4	244
40S150-44DS	A	15	6"	2" NPT	111.0	28.0	83.0	5.4	5.4	340
40S200-50DS**	B	20	6"	2" MPT	136.0	30.6	105.4	5.4	5.5	319
40S200-58DS**	B	20	6"	2" MPT	149.2	30.6	118.6	5.4	5.5	334
40S200-66DS**	B	20	6"	2" MPT	162.4	30.6	131.8	5.4	5.5	394

NOTES: All models suitable for use in 4" wells, unless otherwise noted.  
 Weights include pump end with motor in lbs.  
 \* Also available with 6" motor.  
 \*\* Built into sleeve 2" MPT discharge, 6" min. well dia.

**MATERIALS OF CONSTRUCTION**

COMPONENT	CYLINDRICAL SHAFT (3-44 Stgs.)	DEEP SET (50-66 Stgs.)
Check Valve Housing	304 Stainless Steel	304 Stainless Steel
Check Valve	304 Stainless Steel	304 Stainless Steel
Diffuser Chamber	304 Stainless Steel	304 Stainless Steel
Impeller	304 Stainless Steel	304 Stainless Steel
Suction Interconnector	304 Stainless Steel	304 Stainless Steel
Inlet Screen	304 Stainless Steel	304 Stainless Steel
Pump Shaft	431 Stainless Steel	431 Stainless Steel
Straps	304 Stainless Steel	304 Stainless Steel
Cable Guard	304 Stainless Steel	304 Stainless Steel
Priming Inducer	304 Stainless Steel	304 Stainless Steel
Coupling	316/431 Stainless Steel **	329/ 416 Stainless Steel
Check Valve Seat	NBR/316 Stainless Steel	NBR/316 Stainless Steel
Top Bearing	NBR/316 Stainless Steel	NBR/316 Stainless Steel
Impeller Seal Ring	NBR/316 Stainless Steel	NBR/316 Stainless Steel
Intermediate Bearings	NBR/316 Stainless Steel	NBR/316 Stainless Steel
Shaft Washer	LCP (Vectra®)	LCP (Vectra®)
Split Cone	304 Stainless Steel	304 Stainless Steel
Split Cone Nut	304 Stainless Steel	304 Stainless Steel
Sleeve	Not Required	316 Stainless Steel
Sleeve Flange	Not Required	304 Stainless Steel

NOTES: Specifications are subject to change without notice.  
 Vectra® is a registered trademark of Hoechst Calanese Corporation.  
 \*Stainless Steel option available.

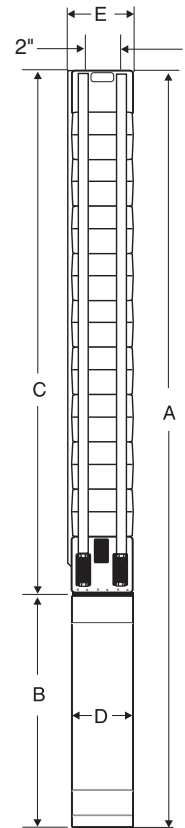


Fig. A

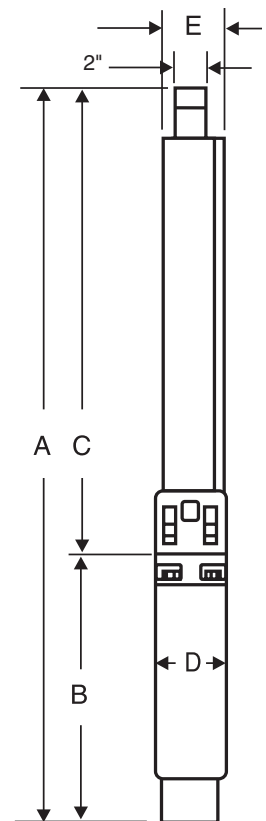


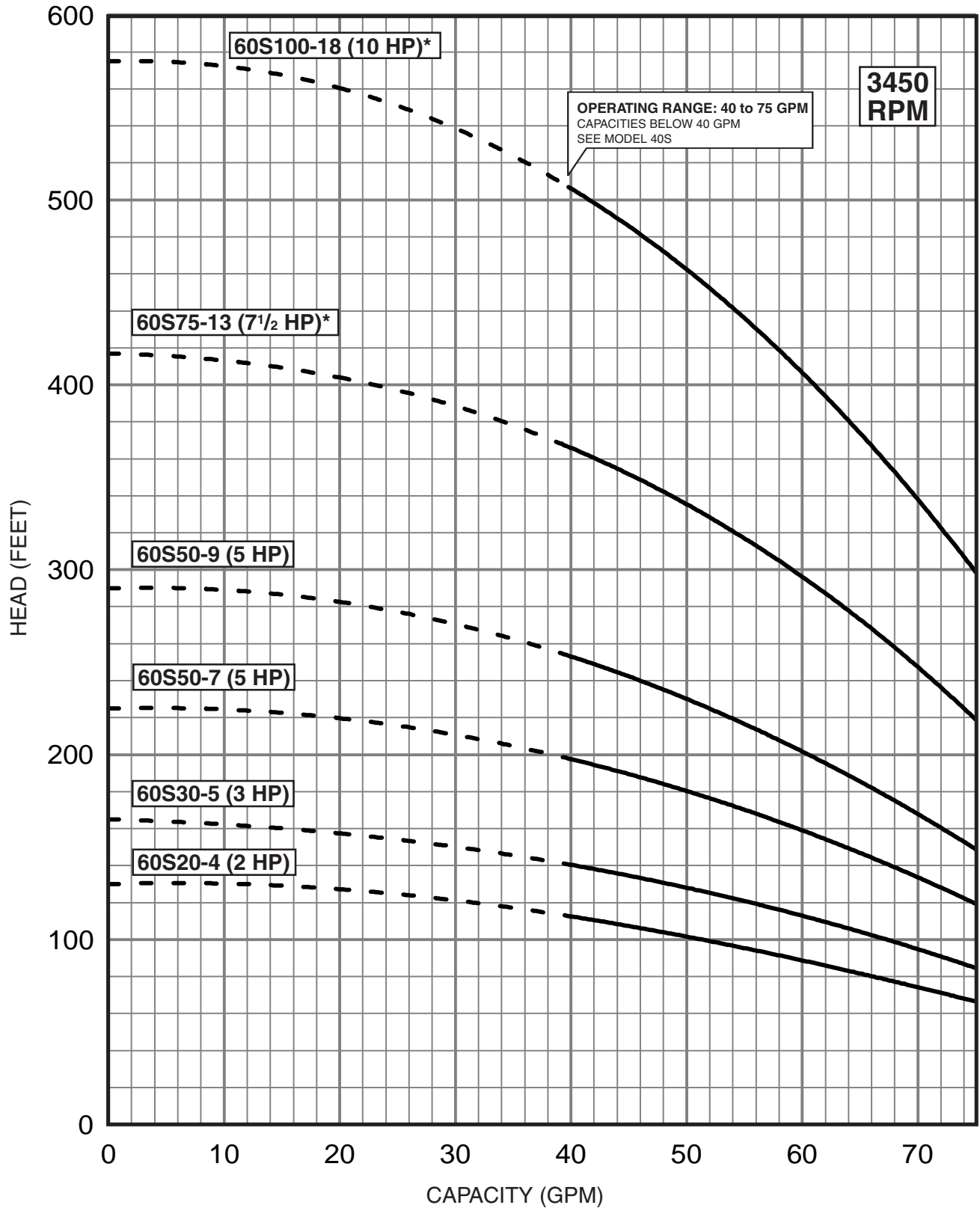
Fig. B



FLOW RANGE: 40 -75 GPM

OUTLET SIZE: 2 " NPT

NOMINAL DIA. 4"



SPECIFICATIONS SUBJECT TO CHANGE WITHOUT NOTICE.  
4" MOTOR STANDARD, 3450 RPM.  
\* Also available with 6" motor.

Performance conforms to ISO 9906. 1999 (E) Annex A  
Minimum submergence is 5 feet.

**DIMENSIONS AND WEIGHTS**

MODEL NO.	FIG.	HP	MOTOR SIZE	DISCH. SIZE	DIMENSIONS IN INCHES					APPROX. SHIP WT.
					A	B	C	D	E	
60S20-4	A	2	4"	2" NPT	32.6	15.1	17.5	3.8	3.9	39
60S30-5	A	3	4"	2" NPT	40.7	20.6	20.1	3.8	3.9	64
60S50-7	A	5	4"	2" NPT	48.8	23.6	25.2	3.8	3.9	75
60S50-9	A	5	4"	2" NPT	53.9	23.6	30.3	3.8	3.9	80
60S75-13*	A	7 1/2	4"	2" NPT	70.1	29.6	40.5	3.8	3.9	105
60S100-18*	A	10	4"	2" NPT	97.3	43.9	53.4	3.8	3.9	160

NOTES: All models suitable for use in 4" wells, unless otherwise noted.  
 Weights include pump end with motor in lbs..  
 \* Also available with 6" motor.

**MATERIALS OF CONSTRUCTION**

COMPONENT	CYLINDRICAL SHAFT (4-18 Stgs.)
Check Valve Housing	304 Stainless Steel
Check Valve	304 Stainless Steel
Diffuser Chamber	304 Stainless Steel
Impeller	304 Stainless Steel
Suction Interconnector	304 Stainless Steel
Inlet Screen	304 Stainless Steel
Pump Shaft	431 Stainless Steel
Straps	304 Stainless Steel
Cable Guard	304 Stainless Steel
Priming Inducer	304 Stainless Steel
Coupling	316/431 Stainless Steel**
Check Valve Seat	NBR/316 Stainless Steel
Top Bearing	NBR/316 Stainless Steel
Impeller Seal Ring	NBR/316 Stainless Steel
Intermediate Bearings	NBR/316 Stainless Steel
Shaft Washer	LCP (Vectra®)
Split Cone	304 Stainless Steel
Split Cone Nut	304 Stainless Steel

NOTES: Specifications are subject to change without notice.  
 Vectra® is a registered trademark of Hoechst Calanese Corporation.

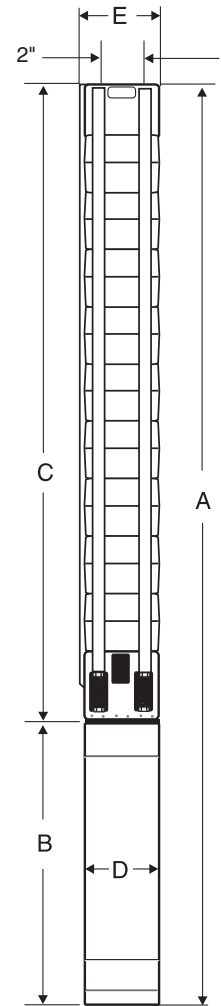
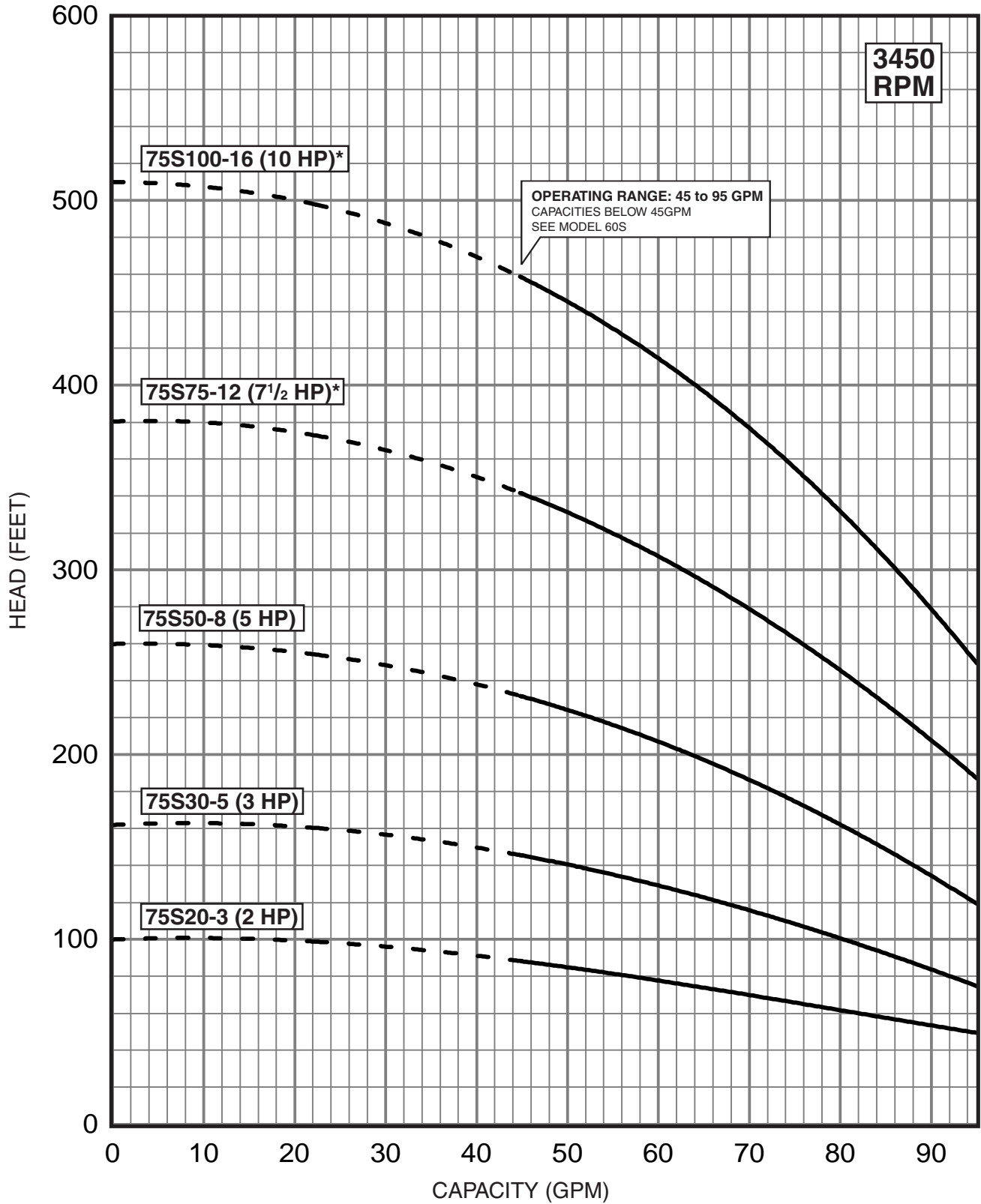


Fig. A

FLOW RANGE: 45 - 95 GPM

OUTLET SIZE: 2" NPT

NOMINAL DIA.: 4"



SPECIFICATIONS SUBJECT TO CHANGE WITHOUT NOTICE.  
 4" MOTOR STANDARD, 2-10 Hp 3450 RPM.  
 \* Also available with 6" motor, performance is the same only at Best Efficiency point.  
 Consult factory for actual performance.

Performance conforms to ISO 9906: 1999 (E) Annex A  
 Minimum submergence is 5 feet.

**DIMENSIONS AND WEIGHTS**

MODEL NO.	FIG.	HP	MOTOR SIZE	DISCH. SIZE	DIMENSIONS IN INCHES					APPROX. SHIP WT.
					A	B	C	D	E	
75S20-3	A	2	4"	2" NPT	30.0	15.1	14.9	3.8	3.9	38
75S30-5	A	3	4"	2" NPT	40.7	20.6	20.1	3.8	3.9	64
75S50-8	A	5	4"	2" NPT	51.4	23.6	27.8	3.8	3.9	78
75S75-12*	A	7 1/2	4"	2" NPT	67.5	29.6	37.9	3.8	3.9	100
75S100-16*	A	10	4"	2" NPT	92.1	43.9	48.2	3.8	3.9	155

NOTES: All models suitable for use in 4" wells, unless otherwise noted.

Weights include pump end with motor in lbs.

\* Also available with 6" motor, performance is the same only at Best Efficiency point. Consult factory for actual performance.

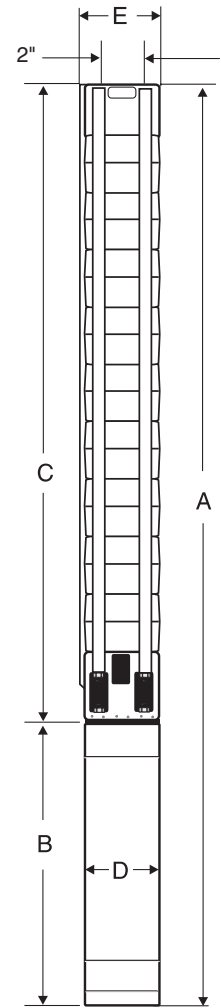


Fig. A

**MATERIALS OF CONSTRUCTION**

COMPONENT	CYLINDRICAL SHAFT (3-16 Stgs.)
Check Valve Housing	304 Stainless Steel
Check Valve	304 Stainless Steel
Diffuser Chamber	304 Stainless Steel
Impeller	304 Stainless Steel
Suction Interconnector	304 Stainless Steel
Inlet Screen	304 Stainless Steel
Pump Shaft	431 Stainless Steel
Straps	304 Stainless Steel
Cable Guard	304 Stainless Steel
Priming Inducer	304 Stainless Steel
Coupling	316/431 Stainless Steel**
Check Valve Seat	NBR/316 Stainless Steel
Top Bearing	NBR/316 Stainless Steel
Impeller Seal Ring	NBR/316 Stainless Steel
Intermediate Bearings	NBR/316 Stainless Steel
Shaft Washer	LCP (Vectra®)
Split Cone	304 Stainless Steel
Split Cone Nut	304 Stainless Steel

NOTES: Specifications are subject to change without notice.

Vectra® is a registered trademark of Hoechst Calanese Corporation.