



# Cardiology - Critical Care Product Catalog



**BIG YANK™**  
SUCTION SYSTEM



**PULSE OXIMETRY**  
SENSORS



**VENI-GARD®**  
I.V. STABILIZATION DRESSINGS



**STAT 2®**  
GRAVITY FLOW CONTROLLER





Ordering Information.....	2
---------------------------	---

## Cardiology

### Multi-Function Electrodes (PadPro®)

Electrodes with ZOLL® Connector.....	4
Electrodes with Physio-Control® Quik-Combo™ Connector.....	4
Electrodes with Philips Barrel Style Connector.....	5
Electrodes with Philips Plug Style Connector.....	5
Electrodes with Universal/Anderson Connector.....	6
Electrodes with R2® Connector.....	6

### Multi-Function Electrodes (R2)

Electrodes with ZOLL® Connector.....	7
Electrodes with Physio-Control Quik-Combo Connector.....	7
Electrodes with Philips Barrel Style Connector.....	8
Electrodes with Philips Plug Style Connector.....	8
Electrodes with Universal/Anderson Connector.....	9
Electrodes with R2 Connector.....	9

### Adult ECG Electrodes

Adult Tape Conductive Adhesive Electrodes.....	10
General Purpose.....	10
Diagnostic.....	10
Long Term Monitoring.....	11
Adult Tape Wet Gel Electrodes.....	11
Adult Foam Conductive Adhesive Gel Electrodes.....	12
General Purpose.....	12
Diaphoretic.....	13
Adult Foam Wet Gel Electrodes.....	14
General Purpose.....	14
Diaphoretic.....	14
Adult Foam Wet Gel Electrodes - Radiotranslucent.....	14
General Purpose.....	14
Diagnostic.....	14

### Repositionable ECG Electrodes

Repositionable ECG Electrodes – Tape.....	15
Repositionable ECG Electrodes – Cloth.....	15

### Pediatric/Neonatal ECG Electrodes

Pediatric/Neonatal ECG Electrodes – Tape With Wire Attached.....	16
Pediatric/Neonatal ECG Electrodes – Cloth With Wire Attached.....	16
NEW – Radiolucent (RTL) Leadwires – Pre-Attached.....	16
Limb Band.....	16
Pediatric/Neonatal ECG Electrode - Snap Style.....	16

### Specialty ECG Electrodes

ECG Backpads.....	17
ECG Strippers.....	17

### Specialty ECG Accessories

Cables.....	18
Accessories.....	18

### Resting ECG Electrodes and Accessories

Tab Style Electrodes.....	19
Alligator Clip Adapters.....	19
Bi-Directional Clip Adapters.....	19
One Piece Adapter.....	19
Universal Adapter.....	19
Snap Style Electrodes.....	20
Snaptrace® Adapters.....	20

### ECG Cable Systems – R Series

R Series ECG Safety Cable System.....	21
R Series Safety Leadwires.....	21

### ECG Cable Systems – FSR Series

FSR Series Fully Shielded ECG Safety Cable System.....	22
FSR Shielded Safety Leadwires.....	22

### ECG Cable Systems – D Series

D Series Individually Shielded ECG Safety Cable System.....	23
D Series Shielded Safety Leadwires - Snap Style.....	23
D Series Shielded Safety Leadwires - Grabber Style.....	24
Diagnostic Safety Leadwires.....	24

### Radiotranslucent Leadwires

Radiotranslucent Safety Leadwires.....	25
Lead Bead Markers for Radiotranslucent Leadwires.....	25

### AAMI Style Leadwires

AAMI Snap Leadwires.....	26
AAMI Grabber Leadwires.....	26

### Philips Telemetry Sets and Thermal Probe Covers

Philips Telemetry Sets (With Leadwire Combiner).....	27
Philips Telemetry Sets (With Combiner and Cap).....	27
Thermal Probe Cover.....	27

## Critical Care Products

### Pulse Oximetry

Pulse Oximetry Sensors.....	30
Disposable Sensors.....	30

### Pulse Oximetry

Reusable Sensors.....	31
Extension Cables and Other Accessories.....	31

### Suction Instruments & Tubing

Yankauer Instruments.....	32
Big Yank™ Suction System.....	33
Frazier Instruments.....	33, 34
Poole Instrument.....	35
Sigmoid Instrument.....	35
Suction Connecting Tubing.....	36
Economy Roll (“Bubble”).....	37
Male Tubing Connectors.....	37

### I.V. Stabilization Dressings

Veni-Gard® I.V. Stabilization Dressings.....	38, 39
--	--------

### ClearSite® TM

ClearSite® TM – Transparent Membrane.....	40
---	----

### Arm Supports

Armboards.....	41
----------------	----

### I.V. Gravity Flow Controllers

STAT 2® Gravity Flow Controller.....	42, 43
STAT 2 Pumpette Gravity Flow Controller.....	44, 45

### Non-Invasive Blood Pressure Cuffs

Non-Invasive Blood Pressure Cuffs.....	46
Single Tube Bayonet Connector.....	46
Single Tube Female Luer Connector.....	47
Double Tube Screw Connectors.....	47
Single Tube Twisting Coupler Connector.....	48
Double Tube Twisting Coupler Connectors.....	48
Male Marquette Connectors.....	48
Manual Bulb Systems.....	49
Disposable Neonatal Blood Pressure Cuffs.....	49

## INDEX

INDEX.....	51 - 57
------------	---------

## To Place Your Order

Please provide a purchase order number, billing and shipping instructions, product catalog number, description, and pricing to:

### Customer Service Within U.S.

Telephone: (800) 448-6506  
(315) 797-8375 ext. 5111  
Fax: (800) 438-3051  
E-mail: [customerservice@conmed.com](mailto:customerservice@conmed.com)

### Customer Service International

Telephone: (315) 797-8375  
Fax: (315) 735-6235

Purchase orders should be addressed to ConMed Corporation,  
525 French Road, Utica, NY 13502.

## Quality Systems

All ConMed products are manufactured and produced in compliance with the following quality systems standards:

21CFR 820, US FDA Quality System Regulation  
CMDCAS  
ISO13485  
European MDD, Annex II, V and VII

## Terms and Conditions

All prices and specifications are subject to change without notice. All prices are F.O.B. Utica, New York; Centennial, Colorado; Lithia Springs, Georgia (F.O.B. Drop Shipment Points where applicable).

CREDIT TERMS: Net 30 days.

## Return Goods Policy

All CONMED products, except products that are obsolete, discontinued, or damaged and specialty products, may be returned within 60 days after date of purchase for credit subject to the following:

1. A copy of the invoice number and date of purchase and a Return Authorization Number must accompany the returned goods with the reason for the return stated in writing. Contact CONMED Customer Service for the Return Authorization Number at 1-800-448-6506.
2. All returned goods would be subject to a minimum of 15% restocking charge. The exact amount of credit to be given, if any, will be determined by a Quality Assurance inspection. Sterile packaged products may be returned for a credit only if returned in the original, unopened shelf package.
3. If the return is due to our error in shipping, full credit will be given.
4. All returns should be addressed as indicated by Return Authorization.

## Quality Policy

"CONMED is committed to maintaining a quality system that provides for safe and effective products and services that meet the needs and requirements of our patients, customers, and company stakeholders."

# CARDIOLOGY PRODUCTS

## Adult and Pediatric Multifunction Electrodes for Defibrillation/Pacing/Cardioversion/Monitoring

PadPro® electrodes are packaged 1 pair/pouch and 10 pouches (pairs)/case

PadPro electrodes offer a 36 month shelf life



Adult



Pediatric



Mini Pediatric



ZOLL®



Physio-Control®

### Multifunction Electrodes with ZOLL® Connector\*

Adult Electrodes	Pad Size	Leadwire	
		Length	Ref. No.
Radiotransparent Pads	6.0 x 4.25"	48"	2001Z
Radiotransparent Pads, pre-connect packaging	6.0 x 4.25"	48"	2001Z-PC
Radiotransparent Pads, sterile packaging	6.0 x 4.25"	48"	2502Z
Radiotransparent Pads, carbon leadwires	6.0 x 4.25"	48"	2001Z-C
Radiotranslucent Pads	6.0 x 4.25"	48"	2516Z
Radiotranslucent Pads, pre-connect packaging	6.0 x 4.25"	48"	2516Z-PC

Pediatric and Mini Pediatric Electrodes	Pad Size	Leadwire	
		Length	Ref. No.
Radiotranslucent Pads, Pediatric	4.25 x 2.875"	48"	2603Z
Radiotranslucent Pads, Mini Pediatric	2.5 x 2.125"	24"	2602Z

### Multifunction Electrodes with Physio-Control® Quik-Combo™ Connector\*

Adult Electrodes	Pad Size	Leadwire	
		Length	Ref. No.
Radiotransparent Pads	6.0 x 4.25"	48"	2001M
Radiotransparent Pads, pre-connect packaging	6.0 x 4.25"	48"	2001M-PC
Radiotransparent Pads, sterile packaging	6.0 x 4.25"	48"	2502M
Radiotransparent Pads, carbon leadwires	6.0 x 4.25"	48"	2001M-C
Radiotranslucent Pads	6.0 x 4.25"	48"	2516M
Radiotranslucent Pads, pre-connect packaging	6.0 x 4.25"	48"	2516M-PC

Pediatric and Mini Pediatric Electrodes	Pad Size	Leadwire	
		Length	Ref. No.
Radiotranslucent Pads, Pediatric	4.25 x 2.875"	48"	2603M
Radiotranslucent Pads, Mini Pediatric	2.5 x 2.125"	24"	2602M

\*Product and company names listed are trademarks or trade names of their respective companies. For compatibility refer to Directions for Use.

## Multifunction Electrodes with Philips Barrel Style Connector\*

<b>Adult Electrodes</b>	Pad Size	Leadwire		Ref. No.
		Length		
Radiotransparent Pads	6.0 x 4.25"	48"		2001P
Radiotransparent Pads, pre-connect packaging	6.0 x 4.25"	48"		2001P-PC
Radiotransparent Pads, sterile packaging	6.0 x 4.25"	48"		2502P
Radiotransparent Pads, carbon leadwires	6.0 x 4.25"	48"		2001P-C
Radiotranslucent Pads	6.0 x 4.25"	48"		2516P
Radiotranslucent Pads, pre-connect packaging	6.0 x 4.25"	48"		2516P-PC

<b>Pediatric and Mini Pediatric Electrodes</b>	Pad Size	Leadwire		Ref. No.
		Length		
Radiotranslucent Pads, Pediatric	4.25 x 2.875"	48"		2603P
Radiotranslucent Pads, Mini Pediatric	2.5 x 2.125"	24"		2602P

## Multifunction Electrodes with Philips Plug Style Connector\*

<b>Adult Electrodes</b>	Pad Size	Leadwire		Ref. No.
		Length		
Radiotransparent Pads	6.0 x 4.25"	48"		2001H
Radiotransparent Pads, pre-connect packaging	6.0 x 4.25"	48"		2001H-PC
Radiotransparent Pads, carbon leadwires	6.0 x 4.25"	48"		2001H-C
Radiotranslucent Pads	6.0 x 4.25"	48"		2516H
Radiotranslucent Pads, pre-connect packaging	6.0 x 4.25"	48"		2516H-PC

<b>Pediatric and Mini Pediatric Electrodes</b>	Pad Size	Leadwire		Ref. No.
		Length		
Radiotranslucent Pads, Pediatric	4.25 x 2.875"	48"		2603H
Radiotranslucent Pads, Mini Pediatric	2.5 x 2.125"	24"		2602H



Philips Barrel



Philips Plug

\*Product and company names listed are trademarks or trade names of their respective companies. For compatibility, refer to Directions For Use.



Universal/Anderson



R2®

## Multifunction Electrodes with Universal/Anderson Connector\*

Electrodes with the Universal/Anderson Connector can be utilized in environments with multiple brands of defibrillators (via PadPro adapters or PadPro cables)

<b>Adult Electrodes</b>	Pad Size	Leadwire Length	Ref. No.
Radiotransparent Pads	6.0 x 4.25"	48"	2001
Radiotransparent Pads, pre-connect packaging	6.0 x 4.25"	48"	2001-PC
Radiotransparent Pads, sterile packaging	6.0 x 4.25"	48"	2502
Radiotransparent Pads, carbon leadwires	6.0 x 4.25"	48"	2001-C
Radiotransparent Pads, with large-posterior pad	9.0 x 6.0"	48"	2001-EPS
Radiotranslucent Pads	6.0 x 4.25"	48"	2516
Radiotranslucent Pads, pre-connect packaging	6.0"x 4.25"	48"	2516-PC

<b>Pediatric and Mini Pediatric Electrodes</b>	Pad Size	Leadwire Length	Ref. No.
Radiotranslucent Pads, Pediatric	4.25 x 2.875"	48"	2603
Radiotranslucent Pads, Mini Pediatric	2.5 x 2.125"	24"	2602

## Multifunction Electrodes with R2® Connector\*

Electrodes with the R2® Connector can be utilized in environments with multiple brands of defibrillators (via R2 adapters or R2 cables)

<b>Adult Electrodes</b>	Pad Size	Leadwire Length	Ref. No.
Radiotransparent Pads	6.0 x 4.25"	48"	2001R
Radiotranslucent Pads	6.0 x 4.25"	48"	2516R

<b>Pediatric and Mini Pediatric Electrodes</b>	Pad Size	Leadwire Length	Ref. No.
Radiotranslucent Pads, Pediatric	4.25 x 2.875"	48"	2603R

\*Product and company names listed are trademarks or trade names of their respective companies. For compatibility refer to Directions for Use.



## Adult and Pediatric Multifunction Electrodes for Defibrillation/ Pacing/Cardioversion/Monitoring

R2® electrodes are packaged 1 pair/pouch and 10 pouches/case  
R2 electrodes offer a 24 month shelf life

### Multifunction Electrodes with ZOLL® Connector\*

	Pad Size	Leadwire Length	Ref. No.
Radiotranslucent Pads, Adult	6.0 x 6.0"	36"	3111-1721
Radiotranslucent Pads, Pediatric	4.5 x 4.5"	24"	3111-1720

### Multifunction Electrodes with Physio-Control® Quik-Combo™ Connector\*

	Pad Size	Leadwire Length	Ref. No.
Radiotranslucent Pads, Adult	6.0 x 6.0"	48"	3112-1731
Radiotranslucent Pads, Pediatric	4.5 x 4.5"	24"	3112-1730



Adult



Pediatric



ZOLL®



Physio-Control®

\*Product and company names listed are trademarks or trade names of their respective companies.  
For compatibility, refer to Directions For Use.



Philips Barrel



Philips Plug

## Multifunction Electrodes with Philips Barrel Style Connector\*

	Pad Size	Leadwire Length	Ref. No.
Radiotranslucent Pads, Adult	6.0 x 6.0"	48"	3114-1741
Radiotranslucent Pads, Pediatric	4.5 x 4.5"	24"	3114-1740

## Multifunction Electrodes with Philips Plug Style Connector\*

<b>Pediatric and Mini Pediatric Electrodes</b>	Pad Size	Leadwire Length	Ref. No.
Radiotranslucent Pads, Adult	6.0 x 6.0"	48"	3115-1751
Radiotranslucent Pads, Pediatric	4.5 x 4.5"	24"	3115-1750

\*Product and company names listed are trademarks or trade names of their respective companies. For compatibility refer to Directions for Use.

## Multifunction Electrodes with Universal/Anderson Connector\*

Electrodes with the Universal/Anderson Connector can be utilized in environments with multiple brands of defibrillators (via PadPro adapters or PadPro cables)

	Pad Size	Leadwire Length	Ref. No.
Radiotranslucent Pads, Adult	6.0 x 6.0"	48"	3116-1761
Radiotranslucent Pads, Pediatric	4.5 x 4.5"	48"	3116-1760

## Multifunction Electrodes with R2® Connector\*

Electrodes with the R2 Connector can be utilized in environments with multiple brands of defibrillators (via R2 adapters or R2 cables)

	Pad Size	Leadwire Length	Ref. No.
Radiotranslucent Pads, Adult	6.0 x 6.0"	36"	3200-1715
Radiotranslucent Pads, Pediatric	4.5 x 4.5"	36"	3200-1711



Universal/Anderson



R2®

\*For compatibility, refer to Directions For Use.



1700



MR

1700C



1750

With a variety of shapes, sizes, types, gels, materials, adhesion levels, and applications to offer, ConMed can meet all your ECG electrode monitoring needs. One company with one goal — to satisfy the customer in the most cost effective method possible.

## Adult Tape Conductive Adhesive Electrodes

Clear NeoDerm® tape allows visual monitoring of the patient's skin condition at all times. Perforated tape permits skin ventilation and moisture evaporation for increased patient comfort. Conforms to patient's body without pulling on their skin. Will not absorb fluids. Not made with natural rubber latex.

## General Purpose

The Cleartrace® electrode is offered with a durable metal snap or a carbon-based radiotranslucent snap (RTL).

<b>Cleartrace®</b>	Ref. No.
1/pouch, 30 pouches/box, 20 boxes/case, 600 electrodes/case .....	1700-001
3/pouch, 10 pouches/box, 20 boxes/case, 600 electrodes/case .....	1700-003
4/pouch, 150 pouches/case, 600 electrodes/case .....	1700-004
5/pouch, 10 pouches/box, 12 boxes/case, 600 electrodes/case .....	1700-005
7/pouch, 50 pouches/case, 350 electrodes/case .....	1700-007
10/pouch, 100 pouches/case, 1,000 electrodes/case .....	1700-010
30/pouch, 20 pouches/case, 600 electrodes/case .....	1700-030
50/pouch, 20 pouches/case, 1,000 electrodes/case .....	1700-050

<b>Cleartrace® RTL Radiotranslucent</b>	Ref. No.
3/pouch, 10 pouches/box, 20 boxes/case, 600 electrodes/case .....	1700C-003
5/pouch, 10 pouches/box, 12 boxes/case, 600 electrodes/case .....	1700C-005
10/pouch, 100 pouches/case, 1,000 electrodes/case .....	1700C-010
50/pouch, 20 pouches/case, 1,000 electrodes/cases .....	1700C-050

## Diagnostic

All of the same features of the Cleartrace® electrode, but with a more aggressive adhesive for diagnostic applications.

<b>Cleartrace® Diagnostic</b>	Ref. No.
5/pouch, 10 pouches/box, 12 boxes/case, 600 electrodes/case .....	1750-005
30/pouch, 20 pouches/case, 600 electrodes/case .....	1750-030

The Difference is Clear®

## Long Term Monitoring

Square/oval shape adds “staying power” to the design — up to seven days of use. Available with a metal snap (Cleartrace® 2 LT) or a carbon snap for radiotranslucent monitoring (Cleartrace® 2–2700).

<u>Cleartrace®2 Radiotranslucent</u>	Ref. No.
1/pouch, 30 pouches/box, 20 boxes/case, 600 electrodes/case .....	2700-001
3/pouch, 10 pouches/box, 20 boxes/case, 600 electrodes/case .....	2700-003
5/pouch, 10 pouches/box, 12 boxes/case, 600 electrodes/case .....	2700-005
30/pouch, 20 pouches/case, 600 electrodes/case .....	2700-030

<u>Cleartrace®2 LT</u>	Ref. No.
1/pouch, 30 pouches/box, 20 boxes/case, 600 electrodes/case .....	2710-001
3/pouch, 10 pouches/box, 20 boxes/case, 600 electrodes/case .....	2710-003
5/pouch, 10 pouches/box, 12 boxes/case, 600 electrodes/case .....	2710-005
30/pouch, 20 pouches/case, 600 electrodes/case .....	2710-030

## Adult Tape Wet Gel Electrodes

Wet gel formulation for strong signals and stable baselines. Available with radiotranslucent (Invisatrace®–1680) carbon or metal snap (Ultratrace®–1690). Tab for easy application and removal. Clear NeoDerm® tape gives patient comfort and fluid proof performance. Ability to monitor skin condition at all times.

<u>Invisatrace® Radiotranslucent</u>	Ref. No.
1/pouch, 30 pouches/box, 20 boxes/case, 600 electrodes/case .....	1680-001
3/pouch, 10 pouches/box, 20 boxes/case, 600 electrodes/case .....	1680-003
5/pouch, 10 pouches/box, 12 boxes/case, 600 electrodes/case .....	1680-005
30/pouch, 20 pouches/case, 600 electrodes/case .....	1680-030

<u>Ultratrace®</u>	Ref. No.
1/pouch, 30 pouches/box, 20 boxes/case, 600 electrodes/case .....	1690-001
3/pouch, 10 pouches/box, 20 boxes/case, 600 electrodes/case .....	1690-003
5/pouch, 10 pouches/box, 12 boxes/case, 600 electrodes/case .....	1690-005
50/pouch, 20 pouches/case, 1,000 electrodes/case .....	1690-010
30/pouch, 20 pouches/case, 600 electrodes/case .....	1690-030



MR  
2700



2710



MR  
1680



1690

*The Difference is Clear®*



3600



3600C

MR



1800



1800C

MR

## Adult Foam Conductive Adhesive Gel Electrodes

Closed cell foam keeps fluids from penetrating. Pull-tab makes it easy to apply and remove the electrode. Available in general purpose and diaphoretic adhesive.

### General Purpose

NEW – For an economical solution for facility wide utilization, the rectangular shape and size of the NEW Omnitrace® and Omnitrace RTL electrodes, provides optimum adhesion and functionality for use up to three days. Unlike all other adult ECG electrodes that have a shelf life limitation of 30 days once the sealed pouch is opened, the Omnitrace and Omnitrace RTL electrodes offer a shelf life of 45 days

<u>Omnitrace</u>	<u>Ref. No.</u>
3/pouch, 30 pouches/box, 600 electrodes/case.....	3600-003
5/pouch, 50 pouches/box, 600 electrodes/case.....	3600-005
50/pouch, 600 electrodes/case, 1000 electrodes/case.....	3600-050

<u>Omnitrace RTL</u>	<u>Ref. No.</u>
3/pouch, 30 pouches/box, 600 electrodes/case.....	3600C-003
5/pouch, 50 pouches/box, 600 electrodes/case.....	3600C-005
50/pouch, 600 electrodes/case, 1000 electrodes/case.....	3600C-050

The small, tear-drop shape of the Suretrace® and Suretrace RTL electrodes provides flexibility for electrode placement and adequate adhesion for general purpose monitoring applications.

<u>Suretrace</u>	<u>Ref. No.</u>
1/pouch, 30 pouches/box, 20 boxes/case, 600 electrodes/case.....	1800-001
3/pouch, 10 pouches/box, 20 boxes/case, 600 electrodes/case.....	1800-003
5/pouch, 10 pouches/box, 12 boxes/case, 600 electrodes/case.....	1800-005
30/pouch, 20 pouches/case, 600 electrodes/case.....	1800-030
50/pouch, 20 pouches/case, 1,000 electrodes/case.....	1800-050

<u>Suretrace® RTL Radiotranslucent</u>	<u>Ref. No.</u>
3/pouch, 10 pouches/box, 22 boxes/case, 600 electrodes/case.....	1800C-003
5/pouch, 10 pouches/box, 12 boxes/case, 600 electrodes/case.....	1800C-005
50/pouch, 20 pouches/case, 1,000 electrodes/case.....	1800C-050

## Diaphoretic

Designed with a larger tear-drop shape and a more robust foam adhesive, the Positrace® and Positrace RTL electrodes provide a more aggressive adhesive for more challenging or diaphoretic applications.

<b>Positrace® Diaphoretic</b>	Ref. No.
1/pouch, 30 pouches/box, 20 boxes/case, 600 electrodes/case .....	1870-001
3/pouch, 10 pouches/box, 20 boxes/case, 600 electrodes/case .....	1870-003
5/pouch, 10 pouches/box, 12 boxes/case, 600 electrodes/case .....	1870-005
30/pouch, 20 pouches/case, 600 electrodes/case .....	1870-030
50 pouch, 20 pouches/case, 1,000 electrodes/case.....	1870-050

<b>Positrace® RTL Diaphoretic Radiotranslucent</b>	Ref. No.
3/pouch, 10 pouches/box, 20 boxes/case, 600 electrodes/case .....	1870C-003
4/pouch, 10 pouches/box, 15 boxes/case, 600 electrodes/case .....	1870C-004
5/pouch, 10 pouches/box, 12 boxes/case, 600 electrodes/case .....	1870C-005
50/pouch, 20 pouches/case, 1,000 electrodes/case .....	1870C-050



1870



1870C





1510



1590



MR

1500



MR

1550



MR

1555

## Adult Foam Wet Gel Electrodes

Wet gel electrodes for quick signal acquisition. Available in general purpose and diaphoretic adhesive formulations for all application levels.

### General Purpose

<u>Exactrace</u>	Ref. No
1/pouch, 30 pouches/box, 20 boxes/case, 600 electrodes/case .....	1510-001
3/pouch, 10 pouches/box, 20 boxes/case, 600 electrodes/case .....	1510-003
5/pouch, 10 pouches/box, 12 boxes/case, 600 electrodes/case .....	1510-005
30/pouch, 20 pouches/case, 600 electrodes/case .....	1510-030

### Diaphoretic

<u>Instatrace® Diaphoretic</u>	Ref. No
1/pouch, 30 pouches/box, 20 boxes/case, 600 electrodes/case .....	1590-001
3/pouch, 10 pouches/box, 20 boxes/case, 600 electrodes/case .....	1590-003
5/pouch, 10 pouches/box, 12 boxes/case, 600 electrodes/case .....	1590-005
30/pouch, 20 pouches/case, 600 electrodes/case .....	1590-030

## Adult Foam Wet Gel Electrodes - Radiotranslucent

Wet gel electrode for quick signal retention. Available in general purpose and diaphoretic adhesion for all levels of application. Dyna/Trace® mini is designed to be used along the V-leads, thereby reducing the need to overlap. Radiotranslucent snap.

### General Purpose

<u>Dyna/Trace® Foam Wet Gel</u>	Ref. No
1/pouch, 30 pouches/box, 20 boxes/case, 600 electrodes/case .....	1500-001
3/pouch, 10 pouches/box, 20 boxes/case, 600 electrodes/case .....	1500-003
4/pouch, 10 pouches/box, 12 boxes/case, 480 electrodes/case .....	1500-004
5/pouch, 10 pouches/box, 12 boxes/case, 600 electrodes/case .....	1500-005
30/pouch, 20 pouches/case, 600 electrodes/case .....	1500-030

### Diagnostic

<u>Dyna/Trace® Stress</u>	Ref. No
5/pouch, 10 pouches/box, 12 boxes/case, 600 electrodes/case .....	1550-005

<u>Dyna/Trace® Mini Stress</u>	Ref. No
5/pouch, 10 pouches/box, 12 boxes/case, 600 electrodes/case .....	1555-005



## Repositionable ECG Electrodes – Tape

Specially formulated conductive adhesive gel does not dry out and allows for extended wear without irritating the patient's skin. Transparent tape allows visual monitoring of the skin under the electrode. Cleartrode is rewettable for cost-effective, long-term use and ease of application and removal.

- Available with durable metal snap or carbon-based radiotranslucent (RTL) snap.

<b>Cleartrode</b>	Ref. No.
3/pouch, 100 pouches/case, 300 electrodes/case .....	1720-003

<b>Cleartrode RTL Radiotranslucent</b>	Ref. No.
3/pouch, 100 pouches/case, 300 electrodes/case .....	1720C-003

## Repositionable ECG Electrodes – Cloth

- Soft fabric material and mild conductive adhesive provide secure, comfortable electrode contact.
- Humidity has little effect on Softrace® electrodes' ability to stick or to be removed without damaging fragile skin.
- Specially formulated conductive adhesive gel does not dry out and allows for extended wear without irritating the patient's skin.
- Softrace® electrodes are rewettable for cost-effective long term use and ease of application and removal.
- Available with durable metal snap or carbon-based radiotranslucent (RTL) snap.
- Available in three sizes (small, medium and large) for optimal placement and application for all patient sizes.
- PVC free.

<b>Softrace® Small</b>	Ref. No.
3/pouch, 100 pouches/case, 300 electrodes/case .....	2320-003

<b>Softrace® Small RTL Radiotranslucent</b>	Ref. No.
3/pouch, 100 pouches/case, 300 electrodes/case .....	2320C-003

<b>Softrace® Medium</b>	Ref. No.
3/pouch, 100 pouches/case, 300 electrodes/case .....	2330-003

<b>Softrace® Medium RTL Radiotranslucent</b>	Ref. No.
3/pouch, 100 pouches/case, 300 electrodes/case .....	2330C-003

<b>Softrace® Large</b>	Ref. No.
3/pouch, 100 pouches/case, 300 electrodes/case .....	2350-003
5/pouch, 120 pouches/case, 600 electrodes/case .....	2350-005

<b>Softrace® Large RTL Radiotranslucent</b>	Ref. No.
3/pouch, 100 pouches/case, 300 electrodes/case .....	2350C-003
5/pouch, 120 pouches/case, 600 electrodes/case .....	2350C-005



Cleartrode



Cleartrode RTL

MR



Softrace® Small



Softrace® Small RTL

MR

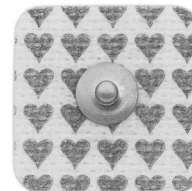


Softrace® Medium



Softrace® Medium RTL

MR

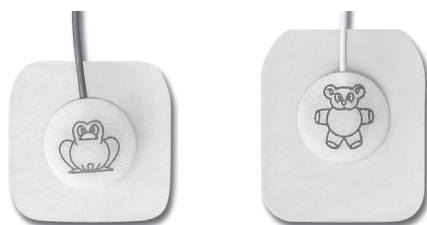


Softrace® Large



Softrace® Large RTL

MR



1731-003

1741-003



1731C-003



1741C-003



2321-003



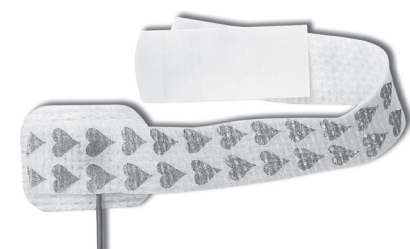
2331-003



2321C-003



2331C-003



2310-003



1620

## Pediatric/Neonatal ECG Electrodes – Tape With Wire Attached

Color-coded attached leadwire system for an easy to use, totally disposable system. Conductive adhesive gel does not dry out and allows for extended wear without irritating the child's skin. Transparent tape allows visual monitoring of the skin under the electrode. Neotrode is rewettable for cost-effective long term use and ease of application and removal.

Neotrode®	Ref. No.
3/pouch, 100 pouches/case, 300 electrodes/case .....	1731-003

Neotrode II	Ref. No.
3/pouch, 100 pouches/case, 300 electrodes/case .....	1741-003

## New – Radiolucent (RTL) Leadwires Pre-Attached

Neotrode RTL	Ref. No.
3/pouch, 100 pouches/case, 300 electrodes/case .....	1731C-003

Neotrode II RTL	Ref. No.
3/pouch, 100 pouches/case, 300 electrodes/case .....	1741C-003

## Pediatric/Neonatal ECG Electrodes – Cloth With Wire Attached

Soft fabric backing and mild conductive adhesive provide secure, comfortable electrode contact. Small size and extremely low profile increases your placement options. Humidity has little effect on Softrace® electrodes' ability to stick or to be removed without damaging fragile skin. Available in two sizes for differing size requirements.

Softrace Neonatal	Ref. No.
3/pouch, 100 pouches/case, 300 electrodes/case .....	2321-003

Softrace Pediatric	Ref. No.
3/pouch, 100 pouches/case, 300 electrodes/case .....	2331-003

## New – Radiolucent (RTL) Leadwires Pre-Attached

Softrace Small RTL	Ref. No.
3/pouch, 100 pouches/case, 300 electrodes/case .....	2321C-003

Softrace Medium RTL	Ref. No.
3/pouch, 100 pouches/case, 300 electrodes/case .....	2331C-003

## Limb Band

Limb band can be applied and secured to baby's arms and legs when ample chest space is not available. Ideal for infants who are highly active. Soft fabric backing and mild conductive adhesive provide secure, comfortable electrode contact. Humidity has little effect on Softrace electrodes' ability to stick or to be removed without damaging fragile skin.

Softrace® Limb Band	Ref. No.
3/pouch, 100 pouches/case, 300 limb bands/case.....	2310-003

## Pediatric/Neonatal ECG Electrode - Snap Style

Clear NeoDerm® tape allows visual monitoring of the child's skin condition at all times. Low chloride gel and light adhesive coat weight reduces the possibility of skin irritation. Huggables® hug the skin, minimizing motion artifact. Perforated tape permits skin ventilation and moisture evaporation to increase comfort. Tab provides for easy application and removal. Wet gel formulation is gentle to the skin.

Huggables® Snap Wet Gel	Ref. No.
1/pouch, 30 pouches/box, 20 boxes/case, 600 electrodes/case .....	1620-001
3/pouch, 10 pouches/box, 20 boxes/case, 600 electrodes/case .....	1620-003

## ECG Backpads

- Silver/Silver Chloride Sensors for maximum performance.
- Pre-gelled to ensure quick and easy application.
- Convenient, one step application for ease of patient setup.
- Designed for placement on patient's back to allow maximum exposure of chest area.
- Dense, low profile foam that conforms to patient skin while reducing fluid absorption.
- Generous adhesive area that keeps Backpad in place, even when exposed to OR prep solutions.
- Disposable electrode/leadwire system to eliminate cross contamination.
- Infant and Adult sizes to accommodate all patients.
- Specialty adapters available for 5 lead monitoring and ease in conversion to R series safety leadwires.
- Radiotranslucent electrode for x-ray applications.

<u>ECG Backpads</u>	<u>Ref. No.</u>
Adult Backpad, 1/pkg, 50/cs.....	01-3130
Infant Backpad, 1/pkg, 50/cs.....	01-4130

## ECG Strippers

- Closed cell foam electrodes keeps fluids from penetrating.
- Wet gel formula provides quick ECG signal retention.
- Pull tab makes it easy to apply and remove electrode.
- One piece, pre-attached leadwire system to minimize the patient set-up time, leadwire tangling, and eliminate cross contamination.
- "Strippable" leadwire construction so each leadwire can be "stripped" to desired length.

<u>ECG Strippers</u>	<u>Ref. No.</u>
Adult 5 Lead, 1/pkg, 25/bx,100/cs.....	38-402-1
Adult 4 Lead, 1/pkg, 25/bx,100/cs.....	38-404-1

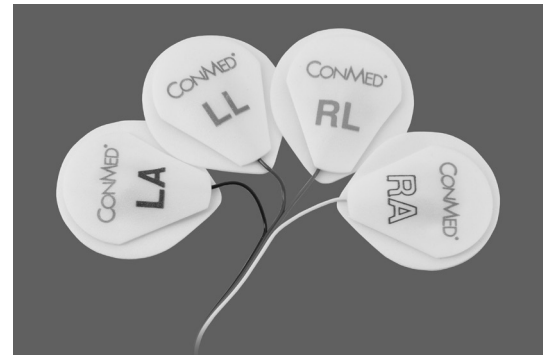
Note: Above products must be used with a Molex style ConMed cable.



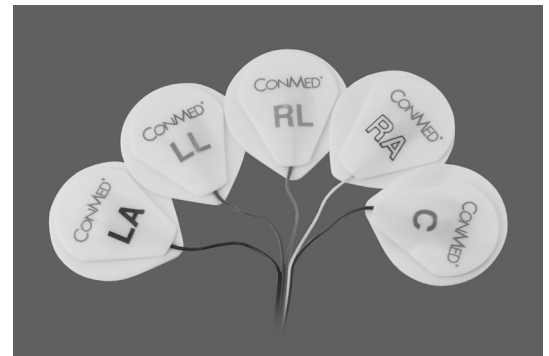
Adult Backpad 01-3130



Infant Backpad 01-4130



4 Lead 38-404-1



5 Lead 38-402-1



38-495-4

## Cables

ConMed ECG Backpads and ECG Strippers utilize a durable, low profile molex style connector compatible only with ConMed ECG cables. Visit our web site ([www.conmed.com](http://www.conmed.com)) or contact your local sales representative to determine if ConMed has a cable for your monitoring needs.

### ConMed has got you covered...

Here are some of the more common ECG monitors with a listing of the correct ConMed ECG cables. Visit our website for a complete list of cables.

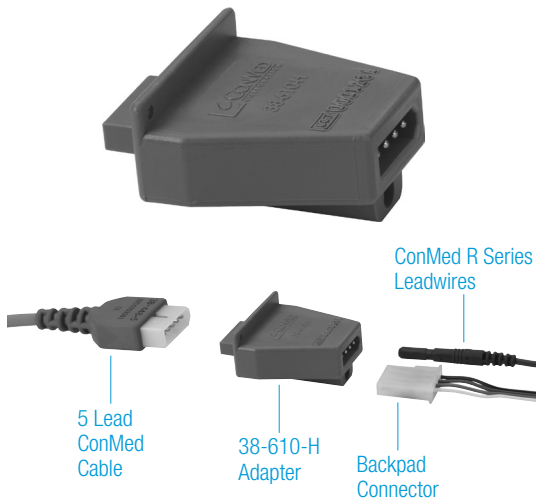
#### 4 – 5 Lead Configurations

Manufacturer	4 Lead	5 Lead
Datascope 2000/3000/Passport Series	38-464-1	38-464-5
Datex-Ohmeda AS/3, AS/5	38-495-4	38-495-5
GE/Critikon Dinamap Series	38-455-1	38-455-5
GE/Marquette Eagle, Solar, Tram Series	38-466-1	38-406-5
Invivo/MDE Escort Series	38-455-1	38-455-5
Phillips/HP with 12 pin connectors	38-485-1	38-448-5
Spacelabs PC Series	38-455-1	38-455-5
Welch Allyn/Protocol Systems	38-455-1	38-455-5

## Accessories

### Fifth Lead Adapter

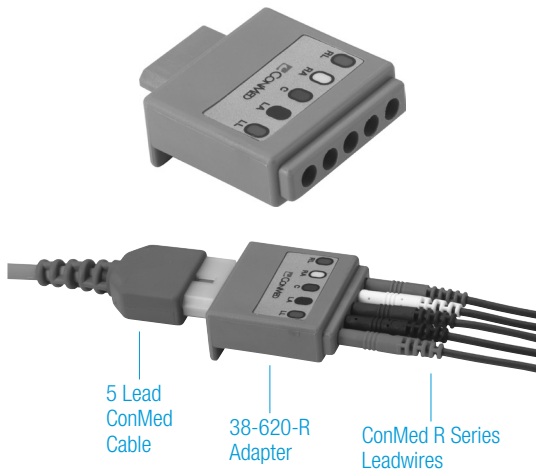
The 38-610-H adapter allows the customer to use a backpad and one additional electrode at the same time. This permits the monitoring of five electrode sites, where the backpad alone only monitors four sites. The fifth electrode is sometimes referred to as a roving lead because the clinician has the ability to move it to any location. This adapter uses a ConMed R series leadwire that must be ordered separately. **Note: the use of this adapter requires a five lead backpad cable.**



	Ref. No.
Fifth Lead Adapter .....	38-610-H

### R Series Adapter

The 38-620-R adapter allows the customer to convert the backpad/stripper cable into a five lead R series cable. In this way customers who use backpads as well as standard ECG electrodes need only have one cable for both applications. This adapter uses five ConMed R series leadwires that must be ordered separately. **Note: the use of this adapter requires a five lead backpad cable.**



	Ref. No.
R Series Adapter .....	38-620-R

## Tab Style Electrodes

Gel 2000 formulation sticks better and stays moist longer — even when the pouch has been opened. Silver/Silver Chloride provides stable baselines and excellent electrical characteristics. Conductive adhesive gel maintains contact with skin, even on hairy patients.

**Fastrace® 4** Ref. No.  
 100/pouch, 10 pouches/case, 1,000 electrodes/case..... 1915-100

**V-Trace®** Ref. No.  
 100/pouch, 40 pouches/case, 4,000 electrodes/case ..... 1935-100

**Heartbeat** Ref. No.  
 Gel 2000MP formulation provides improved staying power, but gentle release. Smaller size for pediatrics and adults. Pliable material is more comfortable and prevents lift-off .  
 100/pouch, 10 pouches/case, 1,000 electrodes/case..... 1925-100

## Alligator Clip Adapters

Alligator clip adapters, 6" (15.2cm) long.

Ref. No.  
 Banana (4mm) Receptacle.....ACB  
 .117" (3mm) Receptacle ..... ACF  
 .125" (3.2mm) Receptacle .....ACP

## Bi-Directional Clip Adapters

Bi-directional clip adapters, 6" (15.2cm) long.

Ref. No.  
 Banana (4mm) Receptacle..... HPB-B  
 .117" (3mm) Receptacle .....HPF-B  
 .125" (3.2mm) Receptacle ..... HPP-B

## One Piece Adapter

Ref. No.  
 Fits banana (4mm) plugs .....HPH-BLUE  
 Fits .125" (3.2mm) pins .....HPH-RED

## Universal Adapter

Ref. No.  
 Fits 3mm and 4mm receptacles..... UMCL



1915-100



1935-100



1925-100



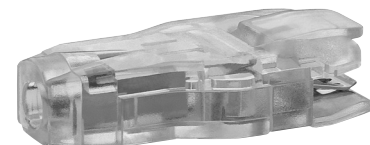
ACP



HPB-B



HPH-BLUE



UMCL

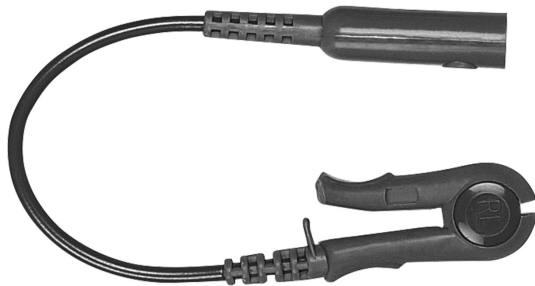
MR

1920-050



MR

1921-100



RLB-05



SNP

## Snap Style Electrodes

Snap connector eliminates the need for tab style adapters. Silver/Silver Chloride for excellent electrical performance and defib recovery. Small size for flexibility in placement. Soft foam material conforms to body contours to maintain skin contact.

### Snaptrace® Ref. No.

Wet gel for quick signal acquisition.

50/pouch, 20 pouches/case, 1,000 electrodes/case ..... 1920-050

### Snaptrace® II Ref. No.

Conductive adhesive gel.

100/pouch, 10 pouches/case, 1,000 electrodes/case..... 1921-100

## Snaptrace® Adapters

### Grabber Adapters Ref. No.

Five 6"/15.2cm adapters: grabber to banana (4mm) receptacle,  
1 each Grn, Red, Wht, Blk, Brn..... RLB-05

Ten 6"/15.2cm adapters: grabber to banana (4mm) receptacle,  
1 each Grn, Red, Wht, Blk, & 6 Brn with V-Lead grabber caps. .... RLB-10

Five 6"/15.2cm adapters: grabber to .125"/3.2mm receptacle,  
1 each Wht, Grn, Brn, Red, Blk. .... RLP-05

Ten 6"/15.2cm adapters: grabber to .125"/3.2mm receptacle,  
1 each Wht, Grn, Red, Blk, & 6 Brn with V-Lead grabber caps. .... RLP-10

### Snap Adapters Ref. No.

Ten 6"/15.2cm adapters: snap to banana (4mm) receptacle. ....SNB

Ten 6"/15.2cm adapters: snap to .117"/3.0mm (3mm) receptacle ..... SNF

Ten 6"/15.2cm adapters: snap to .125"/3.2mm receptacle.....SNP

# ECG Cable Systems – R Series

See ECG Cable Cross Reference Guide for compatibility to specific monitors at conmed.com

## R Series ECG Safety Cable System

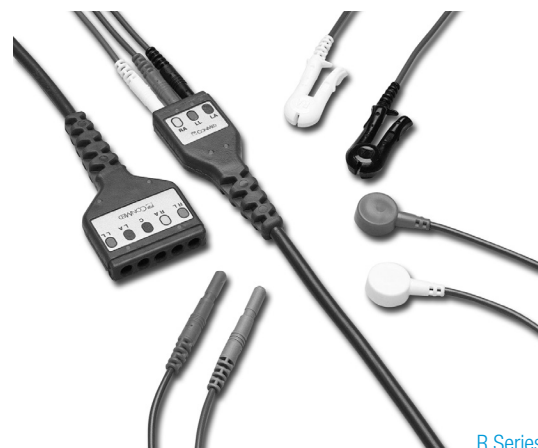
Excellent monitoring results while removing the potential of electrical shock from exposed pins. Provides an inexpensive solution to ECG cable and leadwire needs. Provides the ability to standardize on one cable system throughout the facility. Cables are available in 3 and 5 lead versions. Leadwires are available as snap or grabber in a variety of lengths. Backed by a one year Cable Warranty. Specifically designed to accept the leadwires from CONMED's Pediatric/Neonatal ECG electrodes.

	Ref. No.
3 Lead Cable — Blk, Grn, Wht.....	R3_ _
3 Lead Cable (Lead II) — Blk, Red, Wht.....	R3_ _ II
5 Lead Cable.....	R5_ _

## R Series Safety Leadwires

Designed for use with R-Series safety cables.

	Ref. No.
Three 18"/45.7cm snap leadwires- Blk, Grn, Wht .....	RA18-03
Three 18"/45.7cm snap leadwires- Blk, Red, Wht.....	RA18-03II
Five 18"/45.7cm snap leadwires- Blk, Brn, Grn, Red, Wht .....	RA18-05
Three 24"/61.0cm snap leadwires- Blk, Grn, Wht .....	RA24-03
Three 24"/61.0cm snap leadwires- Blk, Red, Wht.....	RA24-03II
Five 24"/61.0cm snap leadwires- Blk, Brn, Grn, Red, Wht .....	RA24-05
Three 36"/91.4cm snap leadwires- Blk, Grn, Wht .....	RA36-03
Three 36"/91.4cm snap leadwires- Blk, Red, Wht.....	RA36-03II
Five 36"/91.4cm snap leadwires- Blk, Brn, Grn, Red, Wht .....	RA36-05
Seven 36"/91.4cm snap leadwires- Blk, Blu, Brn, Grn, Org, Red, Wht.....	RA36-07
Three 18"/45.7cm grabber leadwires- Blk, Grn, Wht.....	RL18-03
Three 18"/45.7cm grabber leadwires- Blk, Red, Wht.....	RL18-03II
Five 18"/45.7cm grabber leadwires- Blk, Brn, Grn, Red, Wht.....	RL18-05
Three 24"/61.0cm grabber leadwires- Blk, Grn, Wht.....	RL24-03
Three 24"/61.0cm grabber leadwires- Blk, Red, Wht.....	RL24-03II
Five 24"/61.0cm grabber leadwires- Blk, Brn, Grn, Red, Wht.....	RL24-05
Three 36"/91.4cm grabber leadwires- Blk, Grn, Wht.....	RL36-03
Three 36"/91.4cm grabber leadwires- Blk, Red, Wht.....	RL36-03II
Five 36"/91.4cm grabber leadwires- Blk, Brn, Grn, Red, Wht .....	RL36-05



R Series

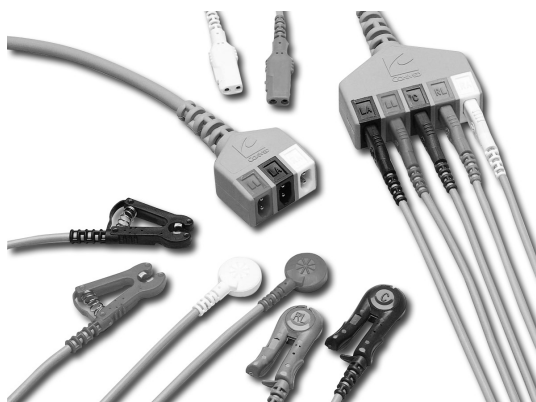


RA24-05



RL18-05

# ECG Cable Systems – FSR Series



FSR Series



FSP18-005



FSP24-003

## FSR Series Fully Shielded ECG Safety Cable System

Provides excellent monitoring results with complete shielding from end to end. Provides the ability to standardize to one cable system throughout the facility. Shielded cables and leadwires protect against electrical interference. Cables are available in 3 and 5 lead versions. Leadwire options include a variety of length and snap or grabber connection.

	Ref. No.
FSR 3 Lead Cables — Blk, Grn, Wht .....	FSR3_ _ or FSR13_ _
FSR 3 Lead Cables (Lead II) — Blk, Red, Wht .....	FSR3_ _ R
FSR 5 Lead Cables.....	FSR5_ _ or FSR15_ _

## FSR Shielded Safety Leadwires

Designed for use with FSR safety cables

	Ref. No.
Three 18"/45.7cm snap leadwires - Blk, Grn, Wht .....	FSP18-003
Three 18"/45.7cm snap leadwires - Blk, Red, Wht.....	FSP18-003R
Five 18"/45.7cm snap leadwires - Blk, Brn, Grn, Red, Wht .....	FSP18-005
Three 24"/61.0cm snap leadwires - Blk, Grn, Wht .....	FSP24-003
Three 24"/61.0cm snap leadwires - Blk, Red, Wht.....	FSP24-003R
Five 24"/61.0cm snap leadwires - Blk, Brn, Grn, Red, Wht .....	FSP24-005
Three 40"/101.6cm snap leadwires - Blk, Grn, Wht .....	FSP40-003
Three 40"/101.6cm snap leadwires - Blk, Red, Wht.....	FSP40-003R
Five 40"/101.6cm snap leadwires - Blk, Brn, Grn, Red, Wht .....	FSP40-005
Three 18"/45.7cm grabber leadwires - Blk, Grn, Wht.....	FSA18-003
Three 18"/45.7cm grabber leadwires - Blk, Red, Wht.....	FSA18-003R
Three 24"/61.0cm grabber leadwires - Blk, Grn, Wht.....	FSA24-003
Three 24"/61.0cm grabber leadwires - Blk, Red, Wht.....	FSA24-003R
Five 24"/61.0cm grabber leadwires - Blk, Brn, Grn, Red, Wht.....	FSA24-005
Three 40"/101.6cm grabber leadwires - Blk, Grn, Wht .....	FSA40-003
Three 40"/101.6cm grabber leadwires - Blk, Red, Wht.....	FSA40-003R
Five 40"/101.6cm grabber leadwires - Blk, Brn, Grn, Red, Wht.....	FSA40-005



# ECG Cable Systems – D Series

## D Series Individually Shielded ECG Safety Cable System

Provides excellent monitoring results with individual shielding from end to end. Designed to be used in situations and on equipment where the highest quality noise free signal is required. Provides the hospital with a superior solution to ECG cable and leadwire needs. Provides the ability to standardize to one cable system throughout the facility. Individually shielded cables and leadwires protect against motion artifact and electrical interference. Cables are available in 3, 5, 8, and 10 wire options. Backed by a three year Cable Warranty. Leadwire options include a variety of styles, lengths and connections. Exclusive Lead-Lock mechanism provides positive locking for each individual lead. The original ECG Safety Cable. U.S. Patent Number 4227762.

	Ref. No.
3 Lead Cable — Blk, Grn, Wht.....	D83_ _
3 Lead Cable (Lead II) — Blk, Red, Wht.....	D83_ _II
5 Lead Cable.....	D85_ _
10 Lead Cable.....	D80_ _

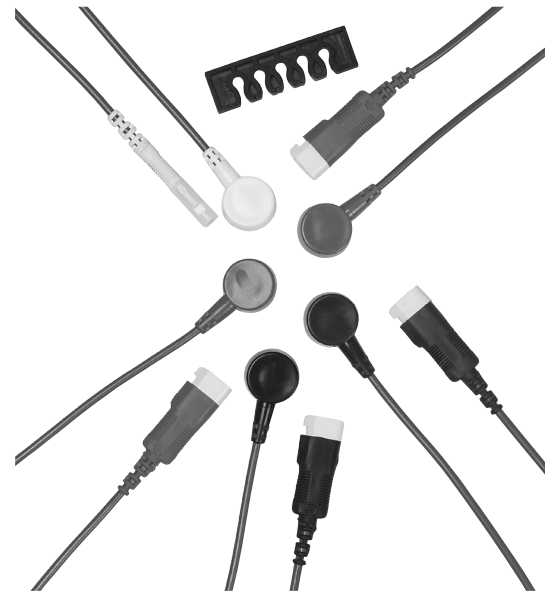


D Series

## D Series Shielded Safety Leadwires - Snap Style

Designed for use with D Series safety cables

	Ref. No.
Three 24"/61.0cm snap leadwires - Wht, Grn, Blk.....	DA24-03
Three 24"/61.0cm snap leadwires - Wht, Red, Blk.....	DA24-03II
Five 24"/61.0cm snap leadwires - Wht, Red, Brn, Grn, Blk.....	DA24-05
Three 36"/91.4cm snap leadwires - Wht, Grn, Blk.....	DA36-03
Three 36"/91.4cm snap leadwires - Wht, Red, Blk.....	DA36-03II
Five 36"/91.4cm snap leadwires - Wht, Red, Brn, Grn, Blk.....	DA36-05
Three 54"/137.2cm snap leadwires - Wht, Red, Blk.....	DA54-03II
Five 54"/137.2cm snap leadwires - Wht, Red, Brn, Grn, Blk.....	DA54-05
Five 72"/182.9cm snap leadwires - Wht, Red, Brn, Grn, Blk.....	DA72-05

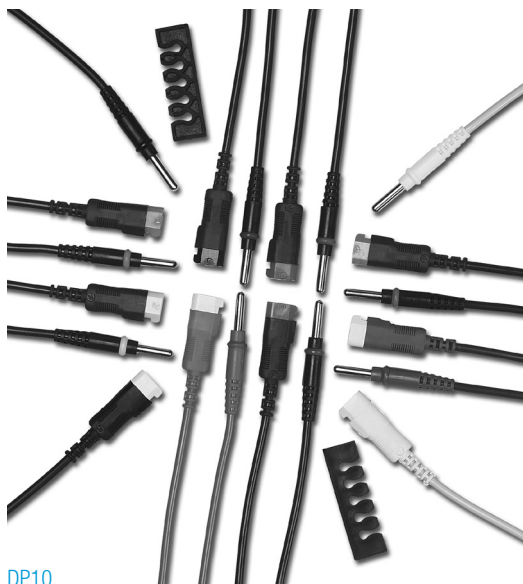


DA36-05

# ECG Cable Systems – D Series



DL36-10



DP10

## D Series Shielded Safety Leadwires - Grabber Style

Designed for use with D Series shielded safety cables

	Ref. No.
Three 24"/61.0cm grabber leadwires - Wht, Grn, Blk.....	DL24-03
Three 24"/61.0cm grabber leadwires - Wht, Red, Blk.....	DL24-03II
Five 24"/61.0cm grabber leadwires - Wht, Red, Brn, Grn, Blk.....	DL24-05
Six 24"/61.0cm grabber leadwires - V leads.....	DL24-06V
Ten grabber leadwires with 10A colors (Limb leads 36"/91.4cm, Chest leads 24"/61.0cm) .....	DL10
Three 36"/91.4cm grabber leadwires - Wht, Grn, Blk.....	DL36-03
Three 36"/91.4cm grabber leadwires - Wht, Red, Blk.....	DL36-03II
Four 36"/91.4cm grabber leadwires - Wht, Grn, Blk.....	DL36-04
Five 36"/91.4cm grabber leadwires - Wht, Red, Brn, Grn, Blk.....	DL36-05
Six 36"/91.4cm grabber leadwires - V leads.....	DL36-06V
Ten 36"/91.4cm grabber leadwires with 10A colors.....	DL36-10
Ten 48"/121.9cm grabber leadwires with 10A colors.....	DL48-10
Three 54"/137.2cm grabber leadwires - Wht, Grn, Blk.....	DL54-03
Three 54"/137.2cm grabber leadwires - Wht, Red, Blk.....	DL54-03II
Five 54"/137.2cm grabber leadwires - Wht, Red, Brn, Grn, Blk.....	DL54-05
Ten 54"/137.2cm grabber leadwires with 10A colors.....	DL54-10
Three 72"/182.9cm grabber leadwires - Wht, Grn, Blk.....	DL72-03
Four 72"/182.9cm grabber leadwires - Wht, Grn, Blk.....	DL72-04
Five 72"/182.9cm grabber leadwires - Wht, Red, Brn, Grn, Blk.....	DL72-05
Ten 72"/182.9cm grabber leadwires with 10A colors.....	DL72-10

## Diagnostic Safety Leadwires

Designed for use with D Series shielded safety cables

	Ref. No.
Five 36"/91.4cm banana plug leadwires — Wht, Grn, Red, Blk, Brn.....	DB36-05
Ten 36"/91.4cm banana plug leadwires — Wht, Grn, Red, Blk, V1-V6 .....	DB36-10
Five .125" pin style leadwires varying in length as follows:	
1 ea. White RA 35"                      1 ea. Red LL 39"	
1 ea. Black LA 35"                      1 ea. Green RL 39"	
1 ea. Brown C 27".....	DP05
Ten .125" pin style leadwires varying in length as follows:	
1 ea. White RA 35"                      1 ea. Red LL 39"	
1 ea. Black LA 35"                      1 ea. Green RL 39"	
6 ea. Brown V1-V6 27".....	DP10

## Radiotranslucent Safety Leadwires

<u>Designed for use with D Series Safety Cables</u>	Ref. No
Five 36"/91.4cm leadwires – D Series plug to grabber.....	RTD36-05
Five 48"/121.9cm leadwires – D Series plug to grabber.....	RTD48-05
Five 72"/182.9cm leadwires – D Series plug to grabber.....	RTD72-05
Ten 36"/91.4cm leadwires – D Series plug to grabber .....	RTD36-10

<u>Designed for use with R Series Safety Cables</u>	Ref. No
Five 36"/91.4cm leadwires – .059" safety socket to grabber.....	RTRG36-05
Five 48"/121.9cm leadwires – .059" safety socket to grabber.....	RTRG48-05
Five 72"/182.9cm leadwires – .059" safety socket to grabber.....	RTRG72-05

<u>Designed for use with Banana Plug Style Leadwires</u>	Ref. No
Five 36"/91.4cm leadwires – .156"/4mm socket to grabber .....	RTBG36-05



RTD48-05 D Series



RTRG48-05 R Series



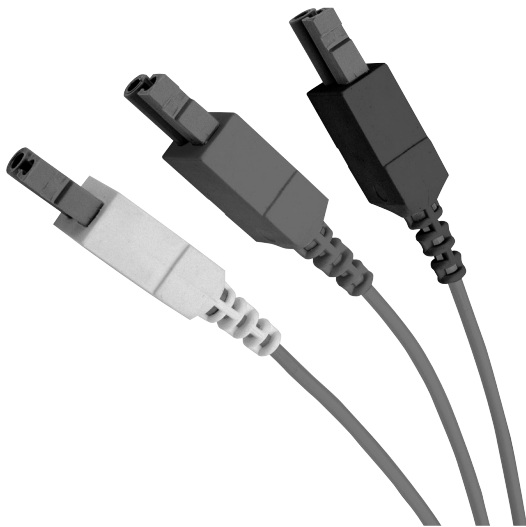
RTBG36-05 R Series

## Lead Bead Markers for Radiotranslucent Leadwires

	Ref. No
AAMI, 10/pk .....	ECA 1220
AAMI, 5/pk.....	ECA 1225
IEC, 10/pk .....	ECA 1250
IEC, 5/pk.....	ECA 1255



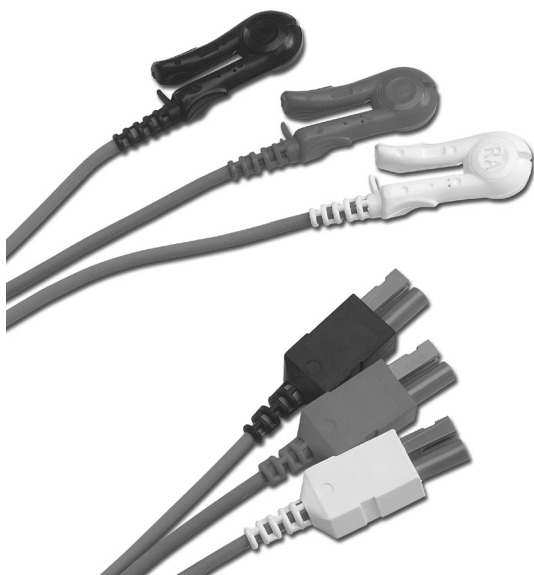
ECA 1220



AA18-003



AA18-003II



AL24-003II

## AAMI Style Leadwires

- Designed to conform to ANSI/AAMI STD EC53-1995
- Available in 18", 24", and 40" lengths
- Available with snap or grabber
- Shielded wire
- Available with or without leadwire combiner

### AAMI Snap Leadwires

	Ref. No
Three 18"/45.7cm snap leadwires- Blk, Grn, Wht .....	AA18-003
Three 18"/45.7cm snap leadwires-Blk, Red, Wht.....	AA18-003II
Five 18"/45.7cm snap leadwires- Blk, Brn, Grn, Red, Wht .....	AA18-005
Three 24"/61.0cm snap leadwires- Blk, Grn, Wht .....	AA24-003
Three 24"/61.0cm snap leadwires- Blk, Red, Wht.....	AA24-003II
Five 24"/61.0cm snap leadwires- Blk, Brn, Grn, Red, Wht .....	AA24-005
Three 40"/101.6cm snap leadwires- Blk, Grn, Wht .....	AA40-003
Three 40"/101.6cm snap leadwires- Blk, Red, Wht.....	AA40-003II
Five 40"/101.6cm snap leadwires- Blk, Brn, Grn, Red, Wht .....	AA40-005
Three 24"/61.0cm leadwires w/combiner-Blk, Red, Wht.....	AAC24-003II
Five 24"/61.0cm leadwires w/combiner- Blk, Brn, Grn, Red, Wht .....	AAC24-005
Three 40"/101.6cm leadwires w/combiner-Blk, Red, Wht.....	AAC40-003II
Five 40"/101.6cm leadwires w/combiner- Blk, Brn, Grn, Red, Wht.....	AAC40-005

### AAMI Grabber Leadwires

	Ref. No
Three 18"/45.7cm grabber leadwires- Blk, Grn, Wht .....	AL18-003
Three 18"/45.7cm grabber leadwires-Blk, Red, Wht.....	AL18-003II
Five 18"/45.7cm grabber leadwires- Blk, Brn, Grn, Red, Wht .....	AL18-005
Three 24"/61.0cm grabber leadwires- Blk, Grn, Wht.....	AL24-003
Three 24"/61.0cm grabber leadwires- Blk, Red, Wht.....	AL24-003II
Five 24"/61.0cm grabber leadwires- Blk, Brn, Grn, Red, Wht .....	AL24-005
Three 40"/101.6cm grabber leadwires- Blk, Grn, Wht .....	AL40-003
Three 40"/101.6cm grabber leadwires- Blk, Red, Wht.....	AL40-003II
Five 40"/101.6cm grabber leadwires- Blk, Brn, Grn, Red, Wht .....	AL40-005
Three 24"/61.0cm leadwires w/combiner-Blk, Red, Wht.....	ALC24-003II
Five 24"/61.0cm leadwires w/combiner- Blk, Brn, Grn, Red, Wht .....	ALC24-005
Three 40"/101.6cm leadwires w/combiner-Blk, Red, Wht.....	ALC40-003II
Five 40"/101.6cm leadwires w/combiner- Blk, Brn, Grn, Red, Wht.....	ALC40-005

## Philips Telemetry Sets (With Leadwire Combiner)

	Ref. No
Snap Wires, 24", 3/Pkg .....	AAPT24-03II
Snap Wires, 24", 5/Pkg .....	AAPT24-05
Snap Wires, 40", 3/Pkg .....	AAPT40-03II
Snap Wires, 40", 5/Pkg .....	AAPT40-05
Grabber Wires, 24", 3/Pkg .....	ALPT24-03II
Grabber Wires, 24", 5/Pkg .....	ALPT24-05
Grabber Wires, 40", 3/Pkg .....	ALPT40-03II
Grabber Wires, 40", 5/Pkg .....	ALPT40-05

## Philips Telemetry Sets (With Combiner and Cap)

	Ref. No
Snap Wires, 24", 3/Pkg, with Cap and insert .....	PTCA24-03II
Snap Wires, 24", 5/Pkg, with Cap and insert .....	PTCA24-05
Snap Wires, 40", 3/Pkg, with Cap and insert .....	PTCA40-03II
Snap Wires, 40", 5/Pkg, with Cap and insert .....	PTCA40-05
Grabber Wires, 24", 3/Pkg, with Cap and insert .....	PTCL24-03II
Grabber Wires, 24", 5/Pkg, with Cap and insert .....	PTCL24-05
Grabber Wires, 40", 3/Pkg, with Cap and insert .....	PTCL40-03II
Grabber Wires, 40", 5/Pkg, with Cap and insert .....	PTCL40-05

## Thermal Probe Cover

The thermal temperature probe cover is a small foam disc covered with reflective foil. The probe cover, once adhered over the temperature probe, reflects any ambient heat and ensures a more accurate reading.

<b>Thermal Probe Cover</b>	Ref. No.
50/pouch, 10 pouches/case, 500 covers/case .....	090-2764



090-2764



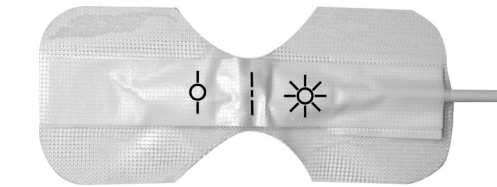
# CRITICAL CARE PRODUCTS

## Pulse Oximetry Sensors

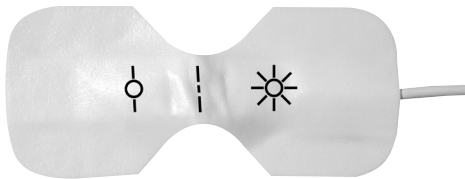
A complete line of disposable and reusable pulse oximetry sensors designed for use with equipment from major manufacturers including Nellcor®, Datex®, CSI®, Nonin® and others. ConMed's Dolphin line of disposable sensors are clinically tested and validated for accuracy and performance.

### Disposable Sensors

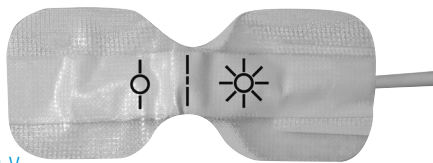
Available in vinyl-, foam- and cloth-adhesive versions for adults, pediatrics, infants and neonates.



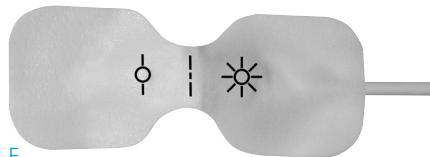
3311-V



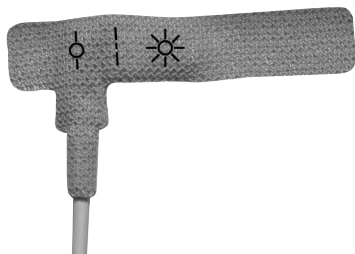
3311-F



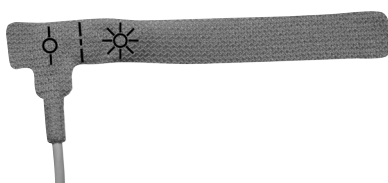
3312-V



3312-F



3313-C



3314-C

	Ref. No.
Adult Vinyl Sensor (Nellcor compatible, C-Shape); 24/case .....	3311-V
Adult Foam Sensor (Nellcor compatible, C-Shape); 24/case .....	3311-F
Adult Vinyl Sensor (Nellcor compatible); 24/Case .....	2311
Adult Vinyl Sensor (Ohmeda compatible); 24/case .....	2321
Adult Vinyl Sensor (Datex compatible); 24/case .....	2331
Adult Vinyl Sensor (CSI compatible); 25/case .....	2341

	Ref. No.
Pediatric Vinyl Sensor (Nellcor compatible, C-Shape); 24/case .....	3312-V
Pediatric Foam Sensor (Nellcor compatible, C-Shape); 24/case .....	3312-F
Pediatric Vinyl sensor (Nellcor compatible)24/Case .....	2312
Pediatric Vinyl Sensor (Ohmeda compatible); 24/case .....	2321
Pediatric Vinyl Sensor (Datex compatible); 24/case .....	2332
Pediatric Vinyl Sensor (CSI compatible); 25/case .....	2342

	Ref. No.
Infant Cloth Sensor (Nellcor compatible, C-Shape); 24/case .....	3313-C
Infant Cloth Sensor (Nellcor compatible); 24/case .....	2313
Infant Cloth Sensor (Ohmeda compatible); 24/case .....	2323
Infant Cloth Sensor (Datex compatible); 24/case .....	2333

	Ref. No.
Neonate Cloth Sensor (Nellcor compatible, C-Shape); 24/case .....	3314-C
Neonate Cloth Sensor (Nellcor compatible); 24/case .....	2314
Neonate Cloth Sensor (Ohmeda compatible); 24/case .....	2323



**Reusable Sensors**

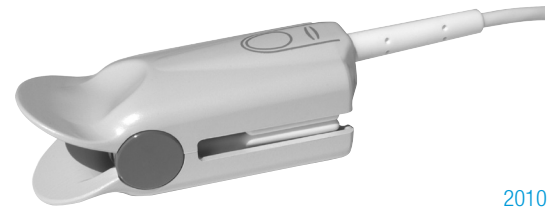
Rugged reusable sensors with heavy-duty spring action. Compatible with a number of manufacturers' oximeters.

	<u>Ref. No.</u>
Adult Reusable Finger Clip (Nellcor compatible).....	2010
Adult Reusable Finger Clip (Ohmeda compatible) .....	2020
Adult Reusable Finger Clip (Datex compatible) .....	2030
Adult Reusable Finger Clip (CSI compatible).....	2040
Adult Reusable Finger Clip (Novamatrix compatible) .....	2060
Adult Reusable Finger Clip (Nonin compatible) .....	2070
<hr/>	
	<u>Ref. No.</u>
Adult/Pediatric Y-Site (Nellcor compatible).....	2210
Adult/Pediatric Y-Site (Ohmeda compatible).....	2220
Adult/Pediatric Y-Site (Novamatrix compatible) .....	2260

**Extension Cables and Other Accessories**

ConMed offers a broad line of cables and accessories that will ensure compatibility with all major oximeter monitor manufacturers.

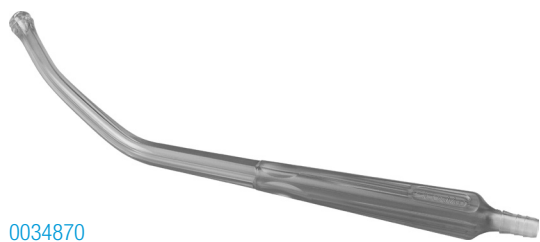
	<u>Ref. No.</u>
6' cable — 9-pin to 9-pin (Nellcor compatible).....	2411
10' cable — 9-pin to 9-pin (Nellcor compatible).....	2421
6' cable — 9-pin to HP Custom (HP/Phillips/Nellcor compatible).....	2417
10' cable — 9-pin to HP Custom (HP/Phillips/Nellcor compatible).....	2427
6' cable — 9-pin to SL Custom (Spacelabs/Nellcor compatible).....	2418
10' cable — 9-pin to SL Custom (Spacelabs/Nellcor compatible).....	2428
6' cable — 9-pin to Ohm. Custom (Ohmeda compatible) .....	2412
10' cable — 9-pin to Ohm. Custom (Ohmeda compatible) .....	2422
6' cable — 9-pin to Datex Custom (Datex compatible).....	2413
10' cable — 9-pin to Datex Custom (Datex compatible) .....	2423
<hr/>	
	<u>Ref. No.</u>
Ear Wrap for 2210 (Nellcor compatible).....	22XX
Nellcor Oximax Adapter Cable .....	2500GM



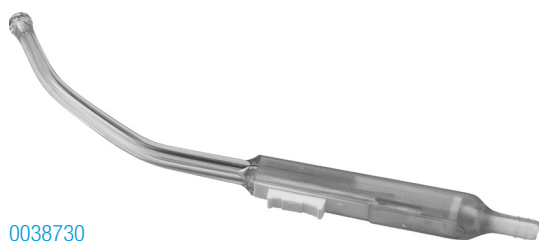
2010



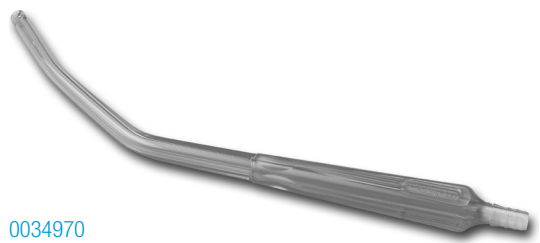
22XX



0034870



0038730



0034970



0034470

A complete line of quality, disposable Suction Instruments and Tubing to meet your every need. One company, one goal — to satisfy the customer in the most cost-effective method possible.

## Yankauer Instruments

Developed Circa 1907 by Dr. Charles Yankauer, the Yankauer Suction Instrument has become the most common suction instrument in the world. Its primary use is to aspirate fluid and debris from either a surgical site or body orifice (i.e. airway).

All ConMed Yankauer products have these features:

- Large lumen providing rapid aspiration
- Sturdy shatter-resistant construction enabling use for retraction
- Transparency allowing for clear visualization of fluids
- Side eyes to reduce traumatic tissue grab
- Sterile

### Bulb Tip Yankauers

- Available with and without Control Vents
- Available with select tubing pre-attached
- Sterile

Bulb Tip Yankauer	Ref. No.
Without Control Vent, 50/case.....	0034870
With Control Vent, 50/case .....	0034880
Without Control Vent and 6' (1.8m) Tube pre-attached, 20/case.....	0034910
With Control Vent and 6' (1.8m) Tube pre-attached, 20/case .....	0034920
Without Control Vent and 10' (3m) Tube pre-attached, 20/case.....	0034950
With Control Vent and 10' (3m) Tube pre-attached, 20/case .....	0034960
With On/Off Control Switch, 50/case.....	0038730

### Open Tip Yankauers

- Open tip style is ideal for pediatric cases and use by anesthesiologists
- Open tip permits access to tight spaces
- Available with and without Control Vents
- Available with select tubing pre-attached
- Sterile

Open Tip Yankauer	Ref. No.
Without Control Vent, 50/case.....	0034970
With Control Vent, 50/case .....	0034980

### Cardiac Yankauer

- Fluted tip reduces tissue grab and protects against excessive suction
- Lumens extra length (11 1/2" or 29.5cm) affords a longer reach into deep cavities
- Sterile

Cardiac Yankauer	Ref. No.
Cardiac Yankauer, 50/case .....	0034470

ConMed also offers a broad variety of these products in bulk, non-sterile formats.

## Big Yank™ Suction System

The world's first truly large bore suction system designed to accommodate large particulate or viscous matter that typically clogs standard suction devices.

- Comes complete with handle, tip, canister connector and tubing
  - Available in both bulb and open tip styles
  - Available with and without Control Vents
- \* Canister not included

### Bulb Tip Big Yank™ Suction System

Ref. No.

Without Control Vent and 11/32" (9mm) I.D. x 6' (1.8m) Tube and Universal canister connector pre-attached, 10/case.....	0034910U
With Control Vent and 11/32" (9mm) I.D. x 6' (1.8m) Tube and Universal canister connector pre-attached, 10/case.....	0034920U
Without Control Vent and 11/32" (9mm) I.D. x 10' (3m) Tube and Universal canister connector pre-attached, 10/case.....	0034950U
With Control Vent and 11/32" (9mm) I.D. x 10' (3m) Tube and Universal canister connector pre-attached, 10/case.....	0034960U
Without Control Vent and 11/32" (9mm) I.D. x 10' (3m) Tube and Universal canister connector pre-attached, 10/case.....	0034970U
With Control Vent and 11/32" (9mm) I.D. x 10' (3m) Tube and Universal canister connector pre-attached, 10/case.....	0034980U



Big Yank™ Suction System

## Frazier Instruments

Frazier instruments are used in open surgical procedures where fine, delicate suctioning is necessary to evacuate fluid and debris from the surgical site. ConMed offers the largest variety of disposable Frazier Instruments in the market today with a broad range of sizes and configurations to accommodate a spectrum of procedures.

All ConMed Frazier products have these features:

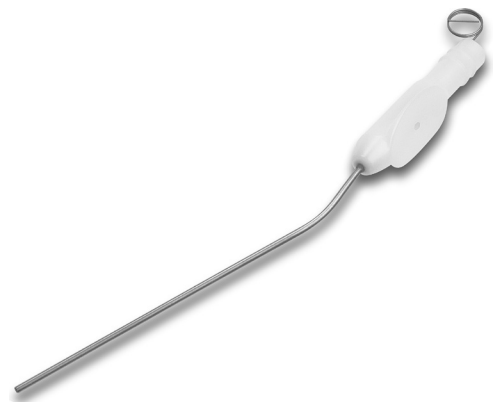
- Each instrument is supplied with an obturator to facilitate shaping of the shaft and clearing the instrument of obstructions.
- Sterile

### Baron Frazier

- 3, 5, 7 French
- Specifically designed for microsurgery where delicate touch is paramount
- Malleable, stainless steel shaft with obturator
- Disc-shaped handle provides delicate touch and balance for microsurgery
- Special, lightweight and flexible tubing is available to enhance surgeon's dexterity
- Sterile

Ref. No.

3 French Frazier with Vent, 50/case .....	0031030
5 French Frazier with Vent, 50/case .....	0031050
7 French Frazier with Vent, 50/case .....	0031070
Frazier Connecting Tubing 2' (.64m) Long, 5mm I.D 50/case .....	0031000



0031050



0031000

## Frazier Instruments (Continued)

### Standard Fraziers

- 8, 10, 12 and 18 French
- Malleable, aluminum shaft resists flaking
- Control vents allow suction control (18 French is non-vented)
- Full size handle provides a positive grip
- Sterile

	Ref. No.
8 French Frazier with Vent, 50/case .....	0033080
10 French Frazier with Vent, 50/case .....	0033100
12 French Frazier with Vent, 50/case .....	0033120
18 French Frazier, 50/case .....	0033180

0033100



### Soft Tip Frazier

- Soft tip is made of PVC and helps reduce trauma to delicate tissue
- I.D. of the end of the PVC tip is 4.5 French versus the shaft I.D. of 10 French
- Ideal for vascular or neurosurgical procedures where vessel trauma is a concern
- Malleable, aluminum shaft resists flaking
- Full size handle provides a positive grip and has control vent
- Sterile

	Ref. No.
Soft Tip Frazier with Vent, (10 FR), 20/case .....	0031100

0031100



### Olive Tip Frazier

- Olive tip has smooth side eyes that reduce chance for any tissue trauma
- I.D. of shaft is 10 French
- Can be used as a Pediatric Yankauer
- Ideal for suctioning and dissecting soft tissue
- Malleable, aluminum shaft to resist flaking
- Full size handle provides a positive grip and has control vent
- Sterile

	Ref. No.
Olive Tip Frazier with Vent (10 FR), 50/case.....	0033110

0033110



## Poole Instrument

The Poole instrument is designed to evacuate pooled blood, fluid and debris during deep abdominal surgeries and cesarean sections.

- Versatile with three positions that quickly converts from gentle sump action to pinpoint suctioning capabilities
- Minimizes tissue grab with its protective sheath
- Sheath has 132 large eyes to provide efficient and rapid suction
- Available with select tubing pre-attached
- Sterile

	<u>Ref. No.</u>
Poole Suction Instrument, 50/case .....	0035040
Poole Suction Instrument with 6' (1.8m) Tube pre-attached, 20/case .....	0035050
Poole Suction Instrument with 10' (3m) Tube pre-attached, 20/case .....	0035070

## Sigmoid Instrument

The Sigmoid suction instrument is primarily used during sigmoidoscopy and colonoscopy procedures to evacuate blood, fluid and debris.

- Designed for use with a rigid sigmoidoscope
- Also useful for suctioning the femur during hip replacement procedures
- 18 French, 30cm
- On/Off suction control to minimize tissue grab
- Available with select tubing pre-attached
- Sterile

	<u>Ref. No.</u>
Sigmoid Suction Instrument (18 FR, 30cm), 50/case .....	0033040
Sigmoid Suction with 6' (1.8m) Tube pre-attached (18FR, 30cm), 20/case .....	0033050

ConMed also offers a broad variety of these products in bulk, non-sterile configurations.



0035040



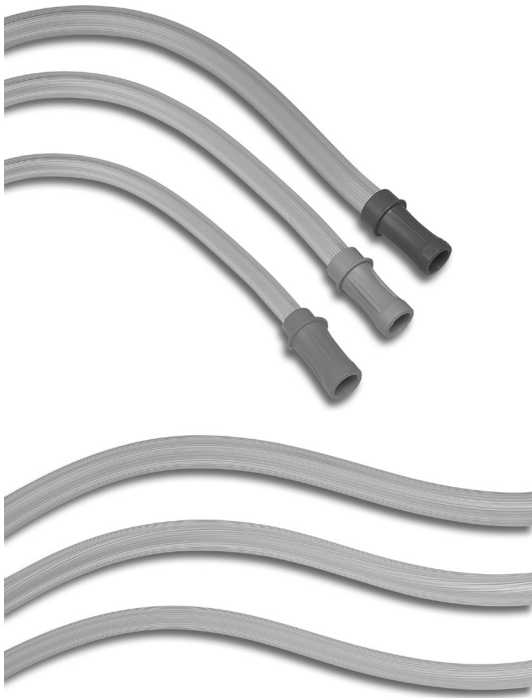
0035040

## Suction Connecting Tubing

Suction Connecting Tubing serves as the conduit from which suction instruments evacuate fluid and debris into the vacuum canister and source. ConMed's Suction Connecting Tubing is available in Premium Connected, and Economy (100', 30.5m rolls) styles. In addition, a wide range of sizes and configurations allow for efficient and cost-effective setup.

### Premium Connected

- Versatile connectors provide a secure fit
- Strong to provide high collapse resistance
- Soft, pliable and low memory for ease of use
- Available with male connectors
- Variety of pre-cut lengths from 1 1/2' (.46m) to 25' (7.6m)
- Three I.D. sizes — 3/16" (4.8mm), 1/4" (6.4mm) & 9/32" (7.1mm)
- Sterile (unless otherwise indicated)



Suction Connecting Tubing

	Ref. No.
3/16" (4.8mm) I.D. x 1 1/2' (.46m) Long, 50/case .....	0036470
3/16" (4.8mm) I.D. x 1 1/2' (.46m) Long, clean, non-sterile, 50/case.....	0048200
3/16" (4.8mm) I.D. x 3' (.9m) Long, 50/case .....	0037850
3/16" (4.8mm) I.D. x 6' (1.8m) Long with Male connector, 50/case.....	0034280
3/16" (4.8mm) I.D. x 6' (1.8m) Long, 50/case .....	0036480
3/16" (4.8mm) I.D. x 6' (1.8m) Long with Male & Female connectors, 50/case.....	0036580
3/16" (4.8mm) I.D. x 10' (3m) Long with Male connector, 50/case.....	0034310
3/16" (4.8mm) I.D. x 10' (3m) Long, 50/case .....	0036770
3/16" (4.8mm) I.D. x 12' (3.7m) Long with Male connector, 20/case.....	0034340
3/16" (4.8mm) I.D. x 12' (3.7m) Long, 20/case .....	0036560
3/16" (4.8mm) I.D. x 20' (6.1m) Long, 20/case .....	0036570
1/4" (6.4mm) I.D. x 6' (1.8m) Long with Male connector, 50/case.....	0034290
1/4" (6.4mm) I.D. x 6' (1.8m) Long, 50/case .....	0036280
1/4" (6.4mm) I.D. x 6' (1.8m) Long with Male & Female connectors, 50/case.....	0037860
1/4" (6.4mm) I.D. x 10' (3m) Long with Male connector, 50/case.....	0034320
1/4" (6.4mm) I.D. x 10' (3m) Long, 50/case .....	0036290
1/4" (6.4mm) I.D. x 12' (3.7m) Long with Male connector, 20/case.....	0034350
1/4" (6.4mm) I.D. x 12' (3.7m) Long, 20/case .....	0036550
1/4" (6.4mm) I.D. x 20' (6.1m) Long, 20/case .....	0036540
1/4" (6.4mm) I.D. x 25' (7.6m) Long, 20/case .....	0036530
9/32" (7.1mm) I.D. x 6' (1.8m) Long with Male connector, 50/case.....	0034300
9/32" (7.1mm) I.D. x 6' (1.8m) Long, 50/case .....	0037040
9/32" (7.1mm) I.D. x 9' (2.7m) Long, 20/case .....	0037050
9/32" (7.1mm) I.D. x 12' (3.7m) Long with Male connector, 20/case.....	0034360
9/32" (7.1mm) I.D. x 12' (3.7m) Long, 20/case .....	0037060
9/32" (7.1mm) I.D. x 20' (6.1m) Long, 20/case .....	0037070

ConMed also offers a broad variety of these products in bulk, non-sterile configurations.

## Economy Roll (“Bubble”)

- 100 ft. (30.5m) long rolls with integral blister (bubble) connectors every 3 ft. (.9m)
- Three I.D. sizes — 3/16" (4.8mm), 1/4" (6.4mm) & 9/32" (7.1mm)
- Clean, non-sterile

	Ref. No.
3/16" (4.8mm) I.D. x 100' (30m) Roll, 1/case .....	0048250
1/4" (6.4mm) I.D. x 100' (30m) Roll, 1/case .....	0048260
9/32" (7.1mm) I.D. x 100' (30m) Roll, 1/case .....	0048270



0048260

## Male Tubing Connectors

- 2 1/8" connectors used to connect tubing to each other
- Clean, non-sterile

	Ref. No.
3/16" (4.8mm) I.D. x 2 1/8" Long, 250/case .....	9422690



9422690

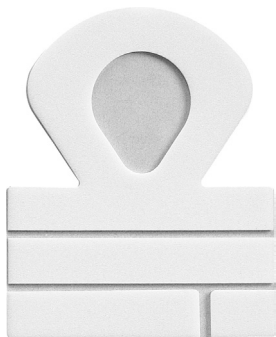
## Veni-Gard® I.V. Stabilization Dressings

The ConMed Veni-Gard® is designed to provide the ultimate in both protection and stabilization for peripheral I.V.'s and VAD's. The Veni-Gard is intended to stabilize the catheter as an anchor providing securement assurance and an aggressive protection barrier.

Key features of the Veni-Gard:

- Aggressive adhesive foam border to assist in decreasing the chance of runaways or infections caused by pull out
- Water-resistant, allowing patients to maintain ADL's (Active Daily Life)
- High MVTR (Moisture Vapor Transmission Rate)
- Sterile
- Tape strips which are stretchable for added stabilization of infusion lines

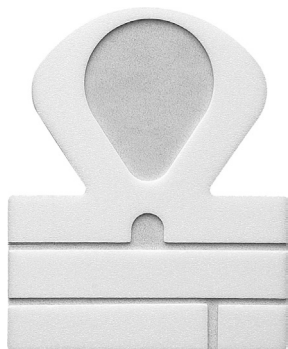
705-4431



730-4432



710-2730



750-4181



### Veni-Gard® TM Ref. No.

Universal IV dressing system. Excellent in peripheral line securement. Complete with accessory tapes for added stabilization.

100 pouches/box, 5 boxes/case .....705-4431

### Veni-Gard® TM JR. Ref. No

Ideal for Pediatric use. Small limb IV Dressing system. Accessory tapes provided for extra stabilization in the active patient.

100 pouches/box, 5 boxes/case .....730-4432

### Veni-Gard® SP Ref. No

Special part IV dressing system conforms to all IV contours.

Ideal for long term securement. 100 pouches/box, 5 boxes/case .....710-2730

### Veni-Gard® ML Ref. No

Multi-lumen catheter securement device. Ideal for jugular/central line IV's. Large elongated window to provide visualization of central access site.

25 pouches/box, 6 boxes/case .....750-4181



**Veni-Gard® AP** Ref. No.

All purpose IV dressing system.  
 Ideal for PICC line securement and fragile skin patients.  
 100 pouches/box, 5 boxes /case .....740-1440

**Veni-Gard® TPN** Ref. No.

Low profile bordered dressing with accessory tape strips.  
 Ideal for securing central lines both jugular and/or femoral.  
 25 pouches/box, 6 boxes /case .....745-1441

**NeoDerm®** Ref. No.

2"x 3", Adhesive Foam Border Transparent Dressing  
 Wide bordered all purpose securement device that offers extra adhesive properties.  
 100 pouches/box, 5 boxes /case .....740-1000

**NeoDerm® Plus** Ref. No.

4"x 5", Adhesive Foam Border Transparent Dressing  
 Large adhesive foam border. Ideal for securing epidural catheters.  
 Accessory tapes for added security.  
 100 pouches/box, 5 boxes /case .....745-1000

**Strip-N-Tape®** Ref. No.

All purpose foam tape strips for securing IV cannulae, dressings, etc.  
 Packaged non-sterile. 5000/case .....701-0510



740-1440



745-1441



740-1000



745-1000



701-0510

ConMed also offers a broad variety of these products in bulk, non-sterile formats.



741-1023

## ClearSite® TM — Transparent Membrane

A transparent dressing with a semi-permeable polyurethane adhesive film that is designed to cover and protect wounds and minor skin irritations as well as secure objects to skin such as I.V. catheters. For use only on non-infected wounds.

Key features of ClearSite® TM:

- Unique delivery system allows for one-handed application
- High MVTR (Moisture Vapor Transmission Rate) ensures breathability and patient comfort
- Stabilization release liner prevents dressing from curling and self-adhesion during patient application
- Sterile

ClearSite® TM	Ref. No.
2"x 2"; 100 pouches/box, 4 boxes/case .....	741-1022
2"x 3"; 100 pouches/box, 4 boxes/case .....	741-1023
3"x 4"; 100 pouches/box, 4 boxes/case .....	741-1034
4"x 4"; 100 pouches/box, 4 boxes/case .....	741-1044
4"x 5"; 50 pouches/box, 4 boxes/case .....	741-1045
4"x 10"; 50 pouches/box, 4 boxes/case .....	741-1040
6"x 8"; 25 pouches/box, 4 boxes/case .....	741-1068
8"x 10"; 50 pouches/box, 4 boxes/case .....	741-1080

ConMed also offers a broad variety of these products in bulk, non-sterile formats.

## Armboards

Key features of the ConMed's Armboards:

- Prevents "positional" flow rate changes
- Reduces I.V. catheter irritations/infiltration
- Infant, pediatric and adult sizes
- Disposable soft paper covers included
- Non-sterile

	Ref. No.
Infant size 5.25"x 2.25" with covers; 60/case.....	810-L
Pediatric size 7"x 3" with covers; 60/case .....	910-L
Adult size 10.5" x 4" with covers; 80/case .....	1010-L
Adult size armboards only; 80/case.....	1011-L
Adult size armboard covers only; 250/case.....	1012



810-L



910-L



1010-L



S2V-20

## STAT 2° Gravity Flow Controller

The ConMed STAT 2° IV Gravity Flow Control devices are designed to control IV fluid and medications when electronic infusion monitoring is not medically necessary. The STAT 2 product line offers convenience and safety to both patient and healthcare provider.

Key features of the STAT 2 Controllers:

- One-handed operation
- Ideal for routine hydration and antibiotic therapy
- 20 and 60 drop primary and extension sets have universal vented drip chamber with 15 micron filter and spike, slide clamp, in-line back-check valve, 2 non-latex split septum "Y" sites, a distal luer/slip lock connector, 84" length.
- Security window minimizes accidental manipulation of dial face
- 12" extension sets available
- Needle-free versions
- Sterile

<u>STAT 2° Controller</u>	Ref. No.
STAT 2 Controller .....	S2V-20
20 drop/ml, 84" primary controller; 48/case	

<u>STAT 2° Controller</u>	Ref. No.
60 drop/ml, 84" primary controller; 48/case.....	S2V-60



S2-12

<u>STAT 2° Controller Extension Set</u>	Ref. No.
12" length extension set controller, latex free split septum "Y" site, distal luer/slip lock connector; 60/case.....	S2-12

**STAT 2<sup>®</sup> Needle-Free Controller — 20 Drop**

Ref. No.

20 drop/ml, 84" primary set controller  
with 2 swabbable valve "Y" sites; 48/case .....S2V-20 N

**STAT 2<sup>®</sup> Needle-Free Controller — 60 Drop**

Ref. No.

60 drop/ml, 84" primary set controller  
with 2 swabbable valve "Y" sites; 48/case .....S2V-60 N

**STAT 2<sup>®</sup> Needle-Free Extension Set**

Ref. No.

12" length extension set controller with 1 swabbable valve "Y" site  
and distal luer/slip lock connector; 60/case .....S2-12 N



S2V-20 N



S2-12 N



P-S2V-20

## STAT 2° Pumpette Gravity Flow Controller

The ConMed STAT 2® IV Gravity Flow Control devices are designed to control IV fluid and medications when electronic infusion monitoring is not medically necessary. The STAT 2® product line offers convenience and safety to both patient and healthcare provider.

Key features of the STAT 2 Pumpette Controllers are:

- Compensation for patient positional changes and IV fluid volumetric changes
- Ease of use with one handed operation
- Ideal for routine hydration and antibiotic therapy
- 20 and 60 drop primary sets have universal vented drip chamber with 15 micron filter and spike, slide clamp, in-line back-check valve, 2 non-latex split septum "Y" sites, a distal luer/slip lock connector, 84" length.
- Security window minimizes accidental manipulation of dial face
- 12" extension sets available
- Needle-free versions
- Sterile

### STAT 2° Pumpette Controller — 20 Drop

Ref. No.

20 drop/ml, 84" compensating primary controller; 48/case .....P-S2V-20

### STAT 2° Pumpette Controller — 60 Drop

Ref. No.

60 drop/ml, 84" compensating primary controller; 48/case .....P-S2V-60



P-S2-12

### STAT 2° Pumpette Controller Extension Set

Ref. No.

12" length compensating extension set controller, latex free split septum "Y" site, distal luer/slip lock connector; 60/case ..... P-S2-12

**STAT 2° Pumpette Needle-Free Controller — 20 Drop**

Ref. No.

20 drop/ml, 84" compensating primary set controller  
with 2 swabbable valve "Y" sites; 48/case ..... P-S2V-20 N



P-S2V-20 N

**STAT 2° Pumpette Needle-Free Controller — 60 Drop**

Ref. No.

60 drop/ml, 84" compensating primary set controller  
with 2 swabbable valve "Y" sites; 48/case ..... P-S2V-60 N



P-S2V-60 N

**STAT 2° Pumpette Needle-Free Extension Set**

Ref. No.

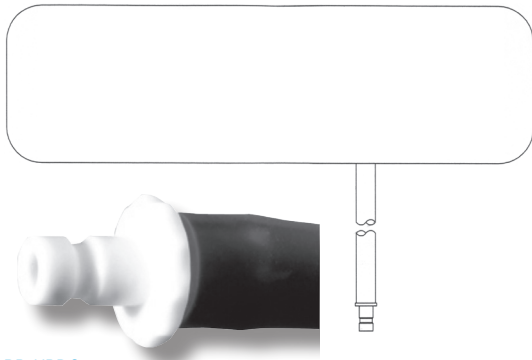
12" length compensating extension set controller with 1 swabbable  
valve "Y" site and distal luer/slip lock connector; 60/case ..... P-S2-12 N



Disposable



Reusable



BP-HPDC

## Non-Invasive Blood Pressure Cuffs

ConMed offers a complete line of disposable and reusable Non-Invasive Blood Pressure Cuffs that fit most major monitor manufacturers. The BP Cuffs are available in a variety of sizes from Neonatal through Large Adult Long. The product line offers convenience in that the customer can standardize their Blood Pressure Cuff needs with one company.

ConMed's Blood Pressure Cuff Product Line is

- Available in Disposable and Reusable Cuffs
- Available in a variety of sizes
- Available in a variety of fittings
- Available with single and double tubes, or manual bulb tube system
- Sized to meet American Heart Association Standards for accuracy
- Made to meet AAMI standards for durability
- Indexed on both sides for comfort and accurate fit
- Artery referenced for proper placement
- Non-Sterile
- Antimicrobial treated (reusables only)

## Single Tube Bayonet Connector

### Disposable Blood Pressure Cuffs

Size (Limb Circumference), Qty/Case	Ref. No.
Infant (8 – 14cm), 5/case	BP-HPDC-0
Child (13 – 20cm), 5/case	BP-HPDC-1
Small Adult (18 – 26cm), 5/case	BP-HPDC-3
Adult (26 – 35cm), 5/case	BP-HPDC-5
Adult Long (29 – 38cm), 5/case	BP-HPDC-6
Large Adult (32 – 42cm), 5/case	BP-HPDC-7
Large Adult Long (35 – 44cm), 5/case	BP-HPDC-8
Thigh (42 – 50cm), 5/case	BP-HPDC-9

### Reusable Blood Pressure Cuffs

Size (Limb Circumference), Qty/Case	Ref. No.
Infant (8 – 14cm), 5/case	BP-HPRC-0
Child (13 – 20cm), 5/case	BP-HPRC-1
Small Adult (18 – 26cm), 5/case	BP-HPRC-3
Adult (26 – 35cm), 5/case	BP-HPRC-5
Adult Long (29 – 38cm), 5/case	BP-HPRC-6
Large Adult (32 – 42cm), 5/case	BP-HPRC-7
Large Adult Long (35 – 44cm), 5/case	BP-HPRC-8
Thigh (42 – 50cm), 5/case	BP-HPRC-9



## Single Tube Female Luer Connector

### Disposable Blood Pressure Cuffs

Size (Limb Circumference), Qty/Case	Ref. No.
Infant (8 – 14cm), 5/case	BP-FLDC-0
Child (13 – 20cm), 5/case	BP-FLDC-1
Small Adult (18 – 26cm), 5/case	BP-FLDC-3
Adult (26 – 35cm), 5/case	BP-FLDC-5
Adult Long (29 – 38cm), 5/case	BP-FLDC-6
Large Adult (32 – 42cm), 5/case	BP-FLDC-7
Large Adult Long (35 – 44cm), 5/case	BP-FLDC-8
Thigh (42 – 50cm), 5/case	BP-FLDC-9

### Reusable Blood Pressure Cuffs

Size (Limb Circumference), Qty/Case	Ref. No.
Small Adult (18 – 26cm), 5/case	BP-FLRC-3
Adult (26 – 35cm), 5/case	BP-FLRC-5
Adult Long (29 – 38cm), 5/case	BP-FLRC-6
Large Adult (32 – 42cm), 5/case	BP-FLRC-7
Large Adult Long (35 – 44cm), 5/case	BP-FLRC-8
Thigh (42 – 50cm), 5/case	BP-FLRC-9

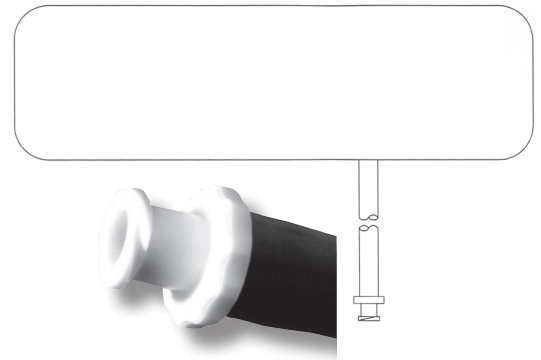
## Double Tube Screw Connectors

### Disposable Blood Pressure Cuffs

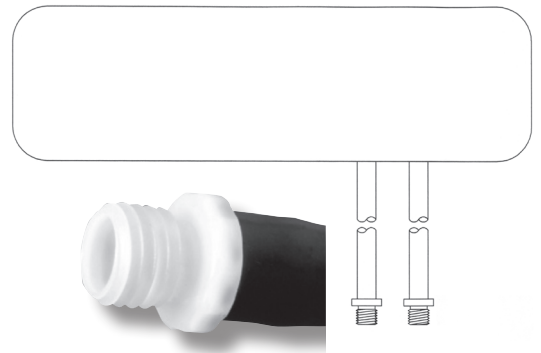
Size (Limb Circumference), Qty/Case	Ref. No.
Infant (8 – 14cm), 5/case	BP-DMDC-0
Child (13 – 20cm), 5/case	BP-DMDC-1
Small Adult (18 – 26cm), 5/case	BP-DMDC-3
Adult (26 – 35cm), 5/case	BP-DMDC-5
Adult Long (29 – 38cm), 5/case	BP-DMDC-6
Large Adult (32 – 42cm), 5/case	BP-DMDC-7
Large Adult Long (35 – 44cm), 5/case	BP-DMDC-8
Thigh (42 – 50cm), 5/case	BP-DMDC-9

### Reusable Blood Pressure Cuffs

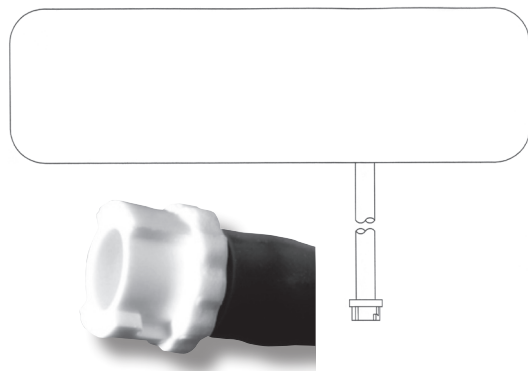
Size (Limb Circumference), Qty/Case	Ref. No.
Infant (8 – 14cm), 5/case	BP-DMRC-0
Child (13 – 20cm), 5/case	BP-DMRC-1
Small Adult (18 – 26cm), 5/case	BP-DMRC-3
Adult (26 – 35cm), 5/case	BP-DMRC-5
Adult Long (29 – 38cm), 5/case	BP-DMRC-6
Large Adult (32 – 42cm), 5/case	BP-DMRC-7
Large Adult Long (35 – 44cm), 5/case	BP-DMRC-8
Thigh (42 – 50cm), 5/case	BP-DMRC-9



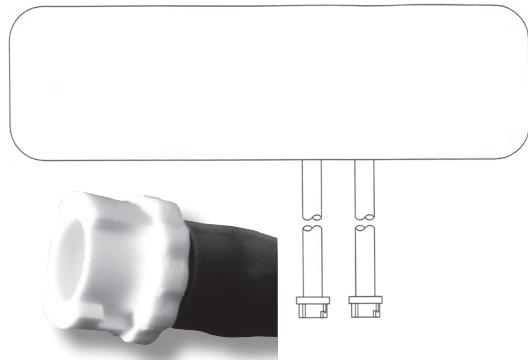
BP-FLDC



BP-DMDC



BP-MQDC



BP-MQ2TDC



BP-MMDC

## Single Tube Twisting Coupler Connector

### Disposable Blood Pressure Cuffs

Size (Limb Circumference), Qty/Case	Ref. No.
Infant (8 – 14cm), 5/case	BP-MQDC-0
Child (13 – 20cm), 5/case	BP-MQDC-1
Small Adult (18 – 26cm), 5/case	BP-MQDC-3
Adult (26 – 35cm), 5/case	BP-MQDC-5
Adult Long (29 – 38cm), 5/case	BP-MQDC-6
Large Adult (32 – 42cm), 5/case	BP-MQDC-7
Large Adult Long (35 – 44cm), 5/case	BP-MQDC-8
Thigh (42 – 50cm), 5/case	BP-MQDC-9

### Reusable Blood Pressure Cuffs

Size (Limb Circumference), Qty/Case	Ref. No.
Infant (8 – 14cm), 5/case	BP-MQRC-0
Child (13 – 20cm), 5/case	BP-MQRC-1
Small Adult (18 – 26cm), 5/case	BP-MQRC-3
Adult (26 – 35cm), 5/case	BP-MQRC-5
Adult Long (29 – 38cm), 5/case	BP-MQRC-6
Large Adult (32 – 42cm), 5/case	BP-MQRC-7
Large Adult Long (35 – 44cm), 5/case	BP-MQRC-8
Thigh (42 – 50cm), 5/case	BP-MQRC-9

## Double Tube Twisting Coupler Connectors

### Disposable Blood Pressure Cuffs

Size (Limb Circumference), Qty/Case	Ref. No.
Infant (8 – 14cm), 5/case	BP-MQ2TDC-0
Child (13 – 20cm), 5/case	BP-MQ2TDC-1
Small Adult (18 – 26cm), 5/case	BP-MQ2TDC-3
Adult (26 – 35cm), 5/case	BP-MQ2TDC-5
Adult Long (29 – 38cm), 5/case	BP-MQ2TDC-6
Large Adult (32 – 42cm), 5/case	BP-MQ2TDC-7
Large Adult Long (35 – 44cm), 5/case	BP-MQ2TDC-8
Thigh (42 – 50cm), 5/case	BP-MQ2TDC-9

### Reusable Blood Pressure Cuffs

Size (Limb Circumference), Qty/Case	Ref. No.
Infant (8 – 14cm), 5/case	BP-MQ2TRC-0
Child (13 – 20cm), 5/case	BP-MQ2TRC-1
Small Adult (18 – 26cm), 5/case	BP-MQ2TRC-3
Adult (26 – 35cm), 5/case	BP-MQ2TRC-5
Adult Long (29 – 38cm), 5/case	BP-MQ2TRC-6
Large Adult (32 – 42cm), 5/case	BP-MQ2TRC-7
Large Adult Long (35 – 44cm), 5/case	BP-MQ2TRC-8
Thigh (42 – 50cm), 5/case	BP-MQ2TRC-9

## Male Marquette Connectors

### Disposable Blood Pressure Cuffs

Size (Limb Circumference), Qty/Case	Ref. No.
Small Adult (18 – 26cm), 5/case	BP-MMDC-3
Adult (26 – 35cm), 5/case	BP-MMDC-5
Large Adult (32 – 42cm), 5/case	BP-MMDC-7
Thigh (42 – 50cm), 5/case	BP-MMDC-9

## Manual Bulb Systems

### Disposable Blood Pressure Cuffs

Size (Limb Circumference), Qty/Case	Ref. No.
Infant (8 – 14cm), 5/case	BP-MBDC-0
Child (13 – 20cm), 5/case	BP-MBDC-1
Small Adult (18 – 26cm), 5/case	BP-MBDC-3
Adult (26 – 35cm), 5/case	BP-MBDC-5
Adult Long (29 – 38cm), 5/case	BP-MBDC-6
Large Adult (32 – 42cm), 5/case	BP-MBDC-7
Large Adult Long (35 – 44cm), 5/case	BP-MBDC-8
Thigh (42 – 50cm), 5/case	BP-MBDC-9

### Reusable Blood Pressure Cuff Systems

Size (Limb Circumference), Qty/Case	Ref. No.
Infant (8 – 14cm), 5/case	BP-MBRC-0
Child (13 – 20cm), 5/case	BP-MBRC-1
Small Adult (18 – 26cm), 5/case	BP-MBRC-3
Adult (26 – 35cm), 5/case	BP-MBRC-5
Large Adult (32 – 42cm), 5/case	BP-MBRC-7
Thigh (42 – 50cm), 5/case	BP-MBRC-9

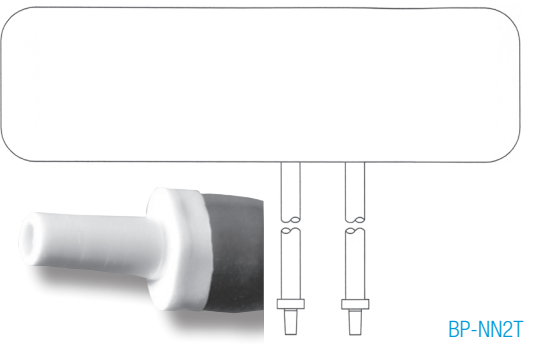
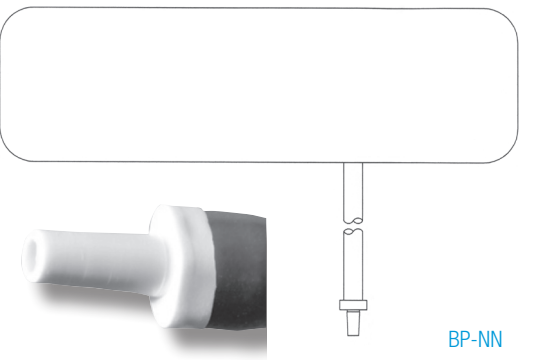
## Disposable Neonatal Blood Pressure Cuffs

### Single Tube

Size (Limb Circumference), Qty/Case	Ref. No.
1 (3 – 6cm), 10/case	BP-NN-1
2 (4 – 8cm), 10/case	BP-NN-2
3 (6 – 11cm), 10/case	BP-NN-3
4 (7 – 14cm), 10/case	BP-NN-4
5 (8 – 15cm), 10/case	BP-NN-5

### Double Tube

1 (3 – 6cm), 10/case	BP-NN2T-1
2 (4 – 8cm), 10/case	BP-NN2T-2
3 (6 – 11cm), 10/case	BP-NN2T-3
4 (7 – 14cm), 10/case	BP-NN2T-4
5 (8 – 15cm), 10/case	BP-NN2T-5





**CARDIOLOGY -  
CRITICAL CARE  
PRODUCTS  
INDEX**

Reference No.	Page	Reference No.	Page	Reference No.	Page
0031000	33	0035040	35	38-464-1	18
0031030	33	0035050	35	38-464-5	18
0031050	33	0035070	35	38-466-1	18
0031070	33	0036280	36	38-485-1	18
0031100	33	0036290	36	38-495-4	18
0033040	35	0036470	36	38-495-5	18
0033050	35	0036480	36	38-610-H	18
0033080	34	0036530	36	38-620-R	18
0033100	34	0036540	36	090-2764	27
0033110	34	0036550	36	701-0510	39
0033120	34	0036560	36	705-4431	38
0033180	34	0036570	36	710-2730	38
0034280	36	0036580	36	730-4432	38
0034290	36	0036770	36	740-1000	39
0034300	36	0037040	36	740-1440	39
0034310	36	0037050	36	741-1022	40
0034320	36	0037060	36	741-1023	40
0034340	36	0037070	36	741-1034	40
0034350	36	0037850	36	741-1040	40
0034360	36	0037860	36	741-1044	40
0034470	32	0038730	32	741-1045	40
0034870	32	0048200	36	741-1068	40
0034880	32	0048250	36	741-1080	40
0034910	32	0048260	36	745-1000	39
0034910U	33	0048270	37	745-1441	39
0034920	32	090-2764	27	750-4181	38
0034920U	33	01-3130	17	810-L	41
0034950	32	01-4130	17	910-L	41
0034950U	33	22XX	31	1010-L	41
0034960	32	38-402-1	17	1011-L	41
0034960U	33	38-404-1	17	1012	41
0034970	32	38-406-5	18	1500-001	14
0034970U	33	38-448-5	18	1500-003	14
0034980	32	38-455-1	18	1500-004	14
0034980U	33	38-455-5	18	1500-005	14

Reference No.	Page	Reference No.	Page	Reference No.	Page
1500-030	14	1720C-003	15	2001M	4
1510-001	14	1731-003	16	2001M-C	4
1510-003	14	1731C-003	16	2001M-PC	4
1510-005	14	1741-003	16	2001P	5
1510-030	14	1741C-003	16	2001-PC	6
1550-005	14	1750-005	10	2001P-C	5
1555-005	14	1750-030	10	2001P-PC	5
1590-001	14	1800-001	12	2001R	6
1590-003	14	1800-003	12	2001Z	4
1590-005	14	1800-005	12	2001Z-C	4
1590-030	14	1800-030	12	2001Z-PC	4
1620-001	16	1800-050	12	2010	31
1620-003	16	1800C-003	12	2020	31
1680-001	11	1800C-005	12	2030	31
1680-003	11	1800C-050	12	2040	31
1680-005	11	1870-001	13	2060	31
1680-030	11	1870-003	13	2070	31
1690-001	11	1870C-003	13	2210	31
1690-003	11	1870C-004	13	2220	31
1690-005	11	1870-005	13	2260	31
1690-010	11	1870C-005	13	2310-003	16
1690-030	11	1870-030	13	2311	30
1700-001	10	1870-050	13	2312	30
1700-003	10	1870C-050	13	2313	30
1700-004	10	1915-100	19	2314	30
1700-005	10	1920-050	20	2320-003	15
1700-007	10	1921-100	20	2320C-003	15
1700-010	10	1925-100	19	2321	30
1700-030	10	1935-100	19	2321-003	16
1700-050	10	2001	6	2321C-003	16
1700C-003	10	2001-C	6	2323	30
1700C-005	10	2001-EPS	6	2330-003	15
1700C-010	10	2001H	5	2330C-003	15
1700C-050	10	2001H-C	5	2331	30
1720-003	15	2001H-PC	5	2331-003	16

Reference No.	Page	Reference No.	Page	Reference No.	Page
2331C-003	16	2602	6	3313-C	30
2332	30	2602H	5	3314-C	30
2333	30	2602M	4	3600-003	12
2341	30	2602P	5	3600C-003	12
2342	30	2602Z	4	3600-005	12
2350-003	15	2603	6	3600C-005	12
2350-005	15	2603H	5	3600-050	12
2350C-003	15	2603M	4	3600C-050	12
2350C-005	15	2603P	5	9422690	37
2411	31	2603R	6	AA18-003	26
2412	31	2603Z	4	AA18-003II	26
2413	31	2700-001	11	AA18-005	26
2417	31	2700-003	11	AA24-003	26
2418	31	2700-005	11	AA24-003II	26
2421	31	2700-030	11	AA24-005	26
2422	31	2710-001	11	AA40-003	26
2423	31	2710-003	11	AA40-003II	26
2427	31	2710-005	11	AA40-005	26
2428	31	2710-030	11	AAC24-003II	26
2500GM	31	3111-1721	7	AAC24-005	26
2502	6	3111-1720	7	AAC40-003II	26
2502M	4	3112-1731	7	AAC40-005	26
2502P	5	3112-1730	7	AAPT24-03II	27
2502Z	4	3114-1741	8	AAPT24-05	27
2516	6	3114-1740	8	AAPT40-03II	27
2516H	5	3115-1751	8	AAPT40-05	27
2516H-PC	5	3115-1750	8	ACB	19
2516M	4	3116-1761	9	ACF	19
2516M-PC	4	3116-1760	9	ACP	19
2516P	5	3200-1715	9	AL18-003	26
2516-PC	6	3200-1711	9	AL18-003II	26
2516P-PC	5	3311-F	30	AL18-005	26
2516R	6	3311-V	30	AL24-003	26
2516Z	4	3312-F	30	AL24-003II	26
2516Z-PC	4	3312-V	30	AL24-005	26



Reference No.	Page	Reference No.	Page	Reference No.	Page
AL40-003	26	BP-FLRC-3	47	BP-MBRC-9	49
AL40-003II	26	BP-FLRC-5	47	BP-MMDC-3	48
AL40-005	26	BP-FLRC-6	47	BP-MMDC-5	48
ALC24-003II	26	BP-FLRC-7	47	BP-MMDC-7	48
ALC24-005	26	BP-FLRC-8	47	BP-MMDC-9	48
ALC40-003II	26	BP-FLRC-9	47	BP-MQ2TDC-0	48
ALC40-005	26	BP-HPDC-0	46	BP-MQ2TDC-1	48
ALPT24-03II	27	BP-HPDC-1	46	BP-MQ2TDC-3	48
ALPT24-05	27	BP-HPDC-3	46	BP-MQ2TDC-5	48
ALPT40-03II	27	BP-HPDC-5	46	BP-MQ2TDC-6	48
ALPT40-05	27	BP-HPDC-6	46	BP-MQ2TDC-7	48
BP-DMDC-0	47	BP-HPDC-7	46	BP-MQ2TDC-8	48
BP-DMDC-1	47	BP-HPDC-8	46	BP-MQ2TDC-9	48
BP-DMDC-3	47	BP-HPDC-9	46	BP-MQ2TRC-0	48
BP-DMDC-5	47	BP-HPRC-0	46	BP-MQ2TRC-1	48
BP-DMDC-6	47	BP-HPRC-1	46	BP-MQ2TRC-3	48
BP-DMDC-7	47	BP-HPRC-3	46	BP-MQ2TRC-5	48
BP-DMDC-8	47	BP-HPRC-5	46	BP-MQ2TRC-6	48
BP-DMDC-9	47	BP-HPRC-6	46	BP-MQ2TRC-7	48
BP-DMRC-0	47	BP-HPRC-7	46	BP-MQ2TRC-8	48
BP-DMRC-1	47	BP-HPRC-8	46	BP-MQ2TRC-9	48
BP-DMRC-3	47	BP-HPRC-9	46	BP-MQDC-0	48
BP-DMRC-5	47	BP-MBDC-0	49	BP-MQDC-1	48
BP-DMRC-6	47	BP-MBDC-1	49	BP-MQDC-3	48
BP-DMRC-7	47	BP-MBDC-3	49	BP-MQDC-5	48
BP-DMRC-8	47	BP-MBDC-5	49	BP-MQDC-6	48
BP-DMRC-9	47	BP-MBDC-6	49	BP-MQDC-7	48
BP-FLDC-0	47	BP-MBDC-7	49	BP-MQDC-8	48
BP-FLDC-1	47	BP-MBDC-8	49	BP-MQDC-9	48
BP-FLDC-3	47	BP-MBDC-9	49	BP-MQRC-0	48
BP-FLDC-5	47	BP-MBRC-0	49	BP-MQRC-1	48
BP-FLDC-6	47	BP-MBRC-1	49	BP-MQRC-3	48
BP-FLDC-7	47	BP-MBRC-3	49	BP-MQRC-5	48
BP-FLDC-8	47	BP-MBRC-5	49	BP-MQRC-6	48
BP-FLDC-9	47	BP-MBRC-7	49	BP-MQRC-7	48

Reference No.	Page	Reference No.	Page	Reference No.	Page
BP-MQRC-8	48	DL36-05	24	FSR3_ _	22
BP-MQRC-9	48	DL36-06V	24	FSR3_ _R	22
BP-NN-1	49	DL36-10	24	FSR5_ _	22
BP-NN-2	49	DL48-10	24	FSR13_ _	22
BP-NN2T-1	49	DL54-03	24	FSR15_ _	22
BP-NN2T-2	49	DL54-03II	24	HPB-B	19
BP-NN2T-3	49	DL54-05	24	HPF-B	19
BP-NN2T-4	49	DL54-10	24	HPH-BLUE	19
BP-NN2T-5	49	DL72-03	24	HPH-RED	19
BP-NN-3	49	DL72-04	24	HPP-B	19
BP-NN-4	49	DL72-05	24	P-S2-12	44
BP-NN-5	49	DL72-10	24	P-S2-12 N	45
D80_ _	23	DP05	24	P-S2V-20	44
D83_ _	23	DP10	24	P-S2V-20 N	45
D83_ _-II	23	ECA 1220	25	P-S2V-60	44
D85_ _	23	ECA 1225	25	P-S2V-60 N	45
DA24-03	23	ECA 1250	25	PTCA24-03II	27
DA24-03II	23	ECA 1255	25	PTCA24-05	27
DA24-05	23	FSA18-003	22	PTCA40-03II	27
DA36-03	23	FSA18-003R	22	PTCA40-05	27
DA36-03II	23	FSA24-003	22	PTCL24-03II	27
DA36-05	23	FSA24-003R	22	PTCL24-05	27
DA54-03II	23	FSA24-005	22	PTCL40-03II	27
DA54-05	23	FSA40-003	22	PTCL40-05	27
DA72-05	23	FSA40-003R	22	R3_ _	21
DB36-05	24	FSA40-005	22	R3_ _ II	21
DB36-10	24	FSP18-003	22	R5_ _	21
DL10	24	FSP18-003R	22	RA18-03	21
DL24-03	24	FSP18-005	22	RA18-03II	21
DL24-03II	24	FSP24-003	22	RA18-05	21
DL24-05	24	FSP24-003R	22	RA24-03	21
DL24-06V	24	FSP24-005	22	RA24-03II	21
DL36-03	24	FSP40-003	22	RA24-05	21
DL36-03II	24	FSP40-003R	22	RA36-03	21
DL36-04	24	FSP40-005	22	RA36-03II	21

<b>Reference No.</b>	<b>Page</b>
RA36-05	21
RA36-07	21
RL18-03	21
RL18-03II	21
RL18-05	21
RL24-03	21
RL24-03II	21
RL24-05	21
RL36-03	21
RL36-03II	21
RL36-05	21
RLB-05	20
RLB-10	20
RLP-05	20
RLP-10	20
RTBG36-05	25
RTD36-05	25
RTD36-10	25
RTD48-05	25
RTD72-05	25
RTRG36-05	25
RTRG48-05	25
RTRG72-05	25
S2-12	42
S2-12 N	43
S2V-20	42
S2V-20 N	43
S2V-60	42
S2V-60 N	43
SNB	20
SNF	20
SNP	20
UMCL	19



Cardiology - Critical Care  
Product Catalog