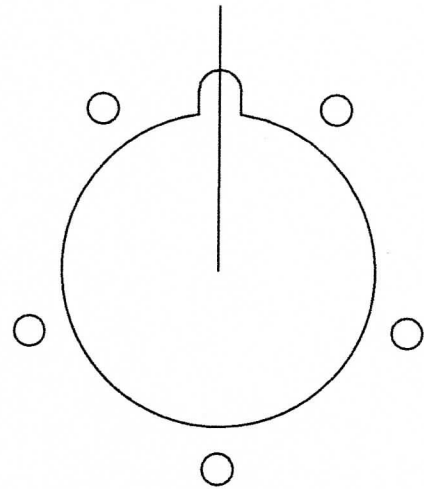
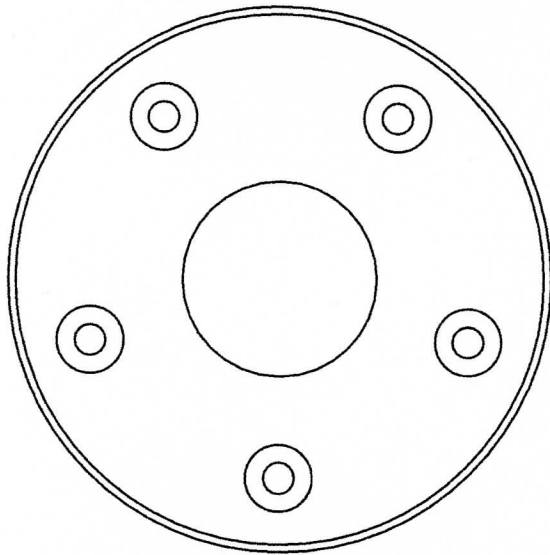


# Installation of RM Model L Lectern Microphone Positioner



Using a  $1 \frac{7}{8}$  Hole Saw bore a hole for installation

File or sand the hole to make clearance for the positioner

Using a router or saw cut a  $\frac{1}{4}$  notch as shown for clearance

Drill pilot holes for (5) Flat Head Wood Screws