



**GAS**  
FIREPLACES





# Enviro

HEARTH PRODUCTS



## Designed to heat. Built to last.



### Designed to heat. Built to Last.

For over 25 years, unsurpassed quality and craftsmanship have made us an industry leader in innovative heating systems. Design, functionality, and efficiency merge to create exceptional products that will exceed all expectations. Whether time-honored traditional or bold and modern, our dynamic range of products will compliment any home décor. With a complete line of fireplace inserts, zero-clearance fireplaces, and freestanding stoves, we have the perfect solution for your heating requirements. We won't just meet your expectations; we'll exceed them...







Q1 Fireplace – Minimal Surround, Glass Burner with Porcelain Liner



Q1 Fireplace – Clean Face Kit, Log Burner with Brick Liner



Q1 Fireplace Insert – Modern Surround, Coal Burner, Ledgestone Liner

## Design Features

- Clean Face Look — No Louvers
- SIT Valve 820 (Standing Pilot)
- SIT Valve 885 (IPI System with Remote)
- Glass Size: 17½" x 19¾", 345½ in<sup>2</sup>
- Hand Welded Firebox
- 150 CFM Room Fan (with variable control)
- Limited Lifetime Warranty
- Quick Access Valve Controls

## Available Options

- Remote or Thermostat Control
- Burner Options:
  - High Definition Log Set
  - Glass Burner with Diamond Glass
  - Coal Burner
- Liners Options:
  - Ceramic Brick Liner
  - Ledgestone Liner
  - Black Enameled Steel Liner
- Surround Options:
  - Modern Surround
  - Minimal Surround
  - Four Sided Minimal Surround

## Fireplace Specifications

BTU Maximum Input - NG	20,000 BTU		
BTU Minimum Output*	7,900 BTU		
Heating Area	1,100 ft <sup>2</sup>		
P4 Efficiency	74.5%		
Glass Size	345½ in <sup>2</sup>		
Fireplace Install Dims.	HEIGHT 35¼"	WIDTH 25¼"	DEPTH 17½"

\* Turn down is based on a 50% valve and AFUE efficiencies output.



High Definition Log Set



Coal Burner



High Efficiency Heat Exchanger





Q2 Fireplace – Driftwood Log Set with Porcelain Liner



Q2 Fireplace – Modern Surround, Log Set with Brick Liner



Q2 Fireplace – Minimal Surround, Glass Burner Porcelain Liner

### Design Features

- Clean Face Look — No Louvers
- SIT Valve 820 (Standing Pilot)
- SIT Valve 885 (IPI System with Remote)
- Glass Size: 28.6" x 23.85", 682 in<sup>2</sup>
- Hand Welded Firebox
- 150 CFM Room Fan (with variable control)
- Limited Lifetime Warranty

### Available Options

- Remote or Thermostat Control
- Optional 150 CFM Room Fan
- Burner Options:
  - High Definition Log Set
  - Driftwood Log Set
  - Glass Burner with Diamond Glass
- Liners Options:
  - Painted Black Firebox - Standard
  - Ceramic Brick Liner
  - Black Enameled Steel Liner
- Surround Options:
  - Modern Surround
  - Minimal Surround
  - Forgeworks Face

### Fireplace Specifications

BTU Maximum Input - NG	24,000 BTU
BTU Minimum Output*	8,000 BTU
Heating Area	1,400 ft <sup>2</sup>
P4 Efficiency	62.28%
Glass Size	682 in <sup>2</sup>
Fireplace Install Dims.	HEIGHT 40"    WIDTH 34 <sup>3</sup> / <sub>8</sub> "    DEPTH 15 <sup>7</sup> / <sub>8</sub> "

\* Turn down is based on a 50% valve and AFUE efficiencies output.



High Definition Log Set



Glass Burner with Diamond Glass



High Efficiency Heat Exchanger





Q3 Fireplace – Log Set with Brick Liner and Forgeworks Face



Q3 Fireplace – Log Set with Ledgestone Liner



Q3 Fireplace – Log Set with Porcelain Liner and Minimal Surround

### Design Features

- Clean Face Look — No Louvers
- SIT Valve 820 (Standing Pilot)
- SIT Valve 885 (IPI System with Remote)
- Glass Size: 28" x 30", 840 in<sup>2</sup>
- Hand Welded Firebox
- High Efficiency Heat Exchanger
- 150 CFM Room Fan (with variable control)
- Fixed Top Vent / Adjustable Rear Vent
- Limited Lifetime Warranty

### Available Options

- Remote or Thermostat Control
- Burner Options:
  - High Definition Log Set
- Liners Options:
  - Ceramic Brick Liner
  - Ledgestone Liner
  - Black Enameled Steel Liner
- Surround Options:
  - Minimal Surround
  - Modern Surround
  - Lattice Face
  - Forgeworks Face

### Fireplace Specifications

BTU Maximum Input - NG	38,000 BTU
BTU Minimum Output*	13,870 BTU
Heating Area	2,000 ft <sup>2</sup>
P4 Efficiency	67.3%
Glass Size	840 in <sup>2</sup>
Fireplace Install Dims.	HEIGHT 43½" WIDTH 34¾" DEPTH 18"

\* Turn down is based on a 50% valve and AFUE efficiencies output.



Ceramic Brick Liner w/Log Set



Cast Iron Grate



High Efficiency Heat Exchanger





Q4 Fireplace – Log Set with Ledgestone Liner



Q4 Fireplace – Log Set with Porcelain Liner



Q4 Fireplace – Log Set with Rustic Brick Liner

### Design Features

- Clean Face Look — No Louvers
- SIT Valve 885 (IPI System with Remote)
- 67% Burner Turn Down
- Glass Size: 34¼" x 30", 1027½ in<sup>2</sup>
- Hand Welded Firebox
- Cast Iron Log Grate
- Limited Lifetime Warranty

### Available Options

- Power Vent Kit
- Heat Distribution Kit
- Burner Options:
  - Ultra High Definition Log Set
- Liners Options:
  - Rustic Brick Liner
  - Ledgestone Liner
  - Black Enameled Steel Liner

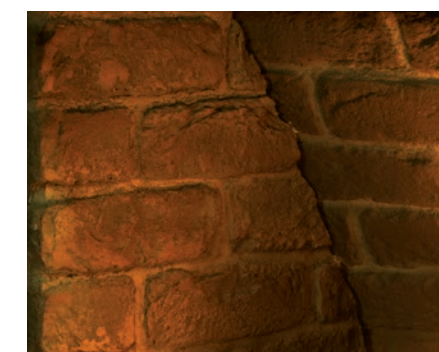
### Fireplace Specifications

BTU Maximum Input - NG	48,000 BTU
BTU Minimum Output*	16,000 BTU
Heating Area	2,000 ft <sup>2</sup>
SS Efficiency	59%
Glass Size	1027½ in <sup>2</sup>
Fireplace Install Dims.	HEIGHT 52¼" WIDTH 44¾" DEPTH 26"

\* Turn down is based on rear burner being turned off.



Ultra High Definition Log Set



Rustic Brick Liner



Ledgestone Liner



# Surround Panels

## Q1 GAS FIREPLACE SURROUNDS



**MODERN SURROUND**



**MINIMAL SURROUND**



**4-SIDED MINIMAL SURROUND**

## Q2 GAS FIREPLACE SURROUNDS



**MINIMAL SURROUND**



**MODERN SURROUND**



**FORGEWORKS FACE**

## Q3 GAS FIREPLACE SURROUNDS



**MINIMAL SURROUND**



**FORGEWORKS FACE**



**LATTICE FACE**

# Design Elements



**CERAMIC BRICK LINER**

Available for the Q1, Q2, and Q3



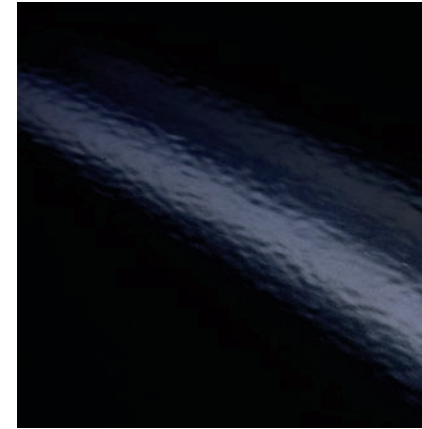
**RUSTIC CERAMIC BRICK LINER**

Available for the Q4



**LEDGESTONE LINER**

Available for the Q1, Q3, and Q4



**BLACK ENAMELED STEEL LINER**

Available for the Q1, Q2, Q3, and Q4



**GLASS BURNER WITH GLASS**

Available for the Q1 and Q2



**COAL BURNER**

Available for the Q1



**HIGH DEFINITION LOG SET**

Available for the Q1, Q2, and Q3



**ULTRA HIGH DEFINITION LOG SET**

Available for the Q4



**DRIFTWOOD LOG SET**

Available for the Q2

# Unit Specifications

## Performance

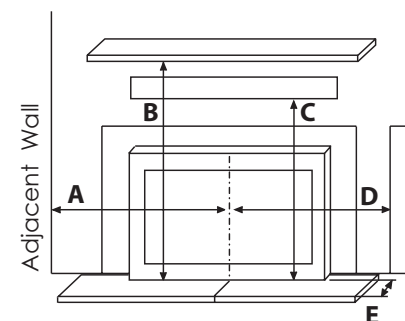
	Q1 PORTRAIT GAS FIREPLACE	Q2 MEDIUM GAS FIREPLACE	Q3 MEDIUM GAS FIREPLACE	Q4 LARGE GAS FIREPLACE
BTU Maximum input - NG / LP	20,000 / 18,500	24,000 / 20,000	38,000 / 38,000	48,000 / 48,000
Turn Down* - Valve 820 / Valve 885	50% / 33%	50% / 33%	50% / 33%	N/A / 67%
Heat Exchanger	✓	✓	✓	✓
SIT Valve 820 (Standing Pilot)	Available	Available	Available	
SIT Valve 885 (IPI)	Available	Available	Available	Available
Efficiency - Steady State**	76%	70%	75%	59%
Efficiency - AFUE	67%	66%	70%	72%
Efficiency - FE rating†	74.5%	62.28%	67.4%	57.7%
Glass Size	17½" x 19¾", 345½ in²	28.6" x 23.85", 682 in²	28" x 30", 840 in²	34¼" x 30", 1027½ in²
Convection Fan	150 CFM	Optional	150 CFM	N/A

## Installation

	Q1 PORTRAIT GAS FIREPLACE			Q2 MEDIUM GAS FIREPLACE			Q3 MEDIUM GAS FIREPLACE			Q4 LARGE GAS FIREPLACE		
Fireplace Dimensions w/Screen (HWD)	HEIGHT	WIDTH	DEPTH	HEIGHT	WIDTH	DEPTH	HEIGHT	WIDTH	DEPTH	HEIGHT	WIDTH	DEPTH
Fireplace Dimensions w/Screen (HWD)	35¼"	25¼"	17½"	40"	34⅝"	15⅞"	43½"	34⅝"	18"	52¼"	44⅝"	26"
Venting Collar Size	4" x 6 ⅝"			4" x 6 ⅝"			4" x 6 ⅝"			5" x 8"		
Venting Orientation	Top / Rear			Top / Rear			Top / Rear			Top / Rear		
LP Conversion Kit (Standing Pilot)	Standard			Standard			Standard			N/A		
Weight (lbs)	110 lbs			155 lbs			192 lbs			320 lbs		

## Clearance to Combustibles

	Q1	Q2	Q3	Q4
A - center of unit to side wall	16½"	21 ⅞"	26¼"	28½"
B - bottom of unit to bottom of 12" mantle	41"	49"	46½"	54¼"
C - unit bottom to max. ¾" combustible facing	35¼"	40"	43½"	80"
D - center of unit to side facing	10"	17½"	17 ⅝"	18½"
E - front of door to edge of floor protection	12"	N/A	N/A	12½"



\* Turn down based on AFUE efficiencies on low.

\*\* Steady state rating based on conventional venting configuration.

† Efficiency based on the P4-15 measured efficiency rating of the IPI models

# Available Options

## Surround Panels

	Q1 PORTRAIT GAS FIREPLACE		Q2 MEDIUM GAS FIREPLACE		Q3 MEDIUM GAS FIREPLACE	
	HEIGHT	WIDTH	HEIGHT	WIDTH	HEIGHT	WIDTH
Minimal Surround	26 ⅜"	22 ¾"	29½"	33 ¾"	33"	34"
Minimal Surround Four-Sided	26 ⅜"	22 ¾"				
Modern Surround	30"	30"	30½"	37"		
Trimmable Panel	32"	36"				
Lattice Face					32¼"	32¼"
Forgeworks Face			29¼"	33 ⅞"	32 ⅞"	35 ⅞"

## Firebox Liners

	Q1 PORTRAIT GAS FIREPLACE	Q2 MEDIUM GAS FIREPLACE	Q3 MEDIUM GAS FIREPLACE	Q4 LARGE GAS FIREPLACE
Ceramic Brick Liner	Included	Optional	Optional	
Rustic Ceramic Brick Liner				Optional
Black Enameled Steel Liner	Optional	Optional	Optional	Optional
Ledgestone Liner	Optional		Optional	Optional
Painted Black Firebox		Standard		

## Burner Variations

	Q1 PORTRAIT GAS FIREPLACE	Q2 MEDIUM GAS FIREPLACE	Q3 MEDIUM GAS FIREPLACE	Q4 LARGE GAS FIREPLACE
High Definition Log Set Burner	Optional	Optional	Standard	
Ultra High Definition Log Set Burner				Standard
Driftwood Log Set		Optional		
Glass Burner with Diamond Glass	Top vent only	Top vent only		
Coal Burner	Optional			

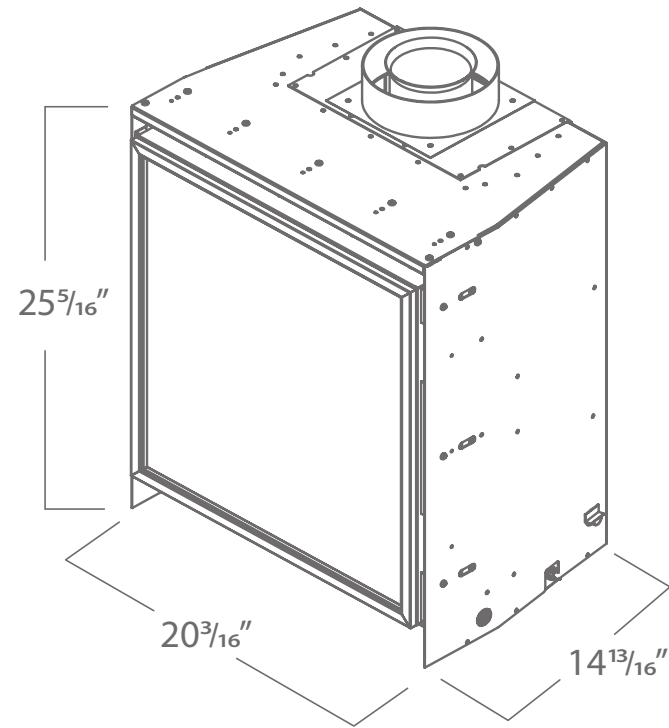
## Additional Options

	Q1 PORTRAIT GAS FIREPLACE	Q2 MEDIUM GAS FIREPLACE	Q3 MEDIUM GAS FIREPLACE	Q4 LARGE GAS FIREPLACE
Heat Distribution Kit				Optional
Power Vent Kit				Optional
Programmable Thermostat	Optional	Optional	Optional	
Proflame Remote Control	Included with IPI	Included with IPI	Included with IPI	Included with IPI

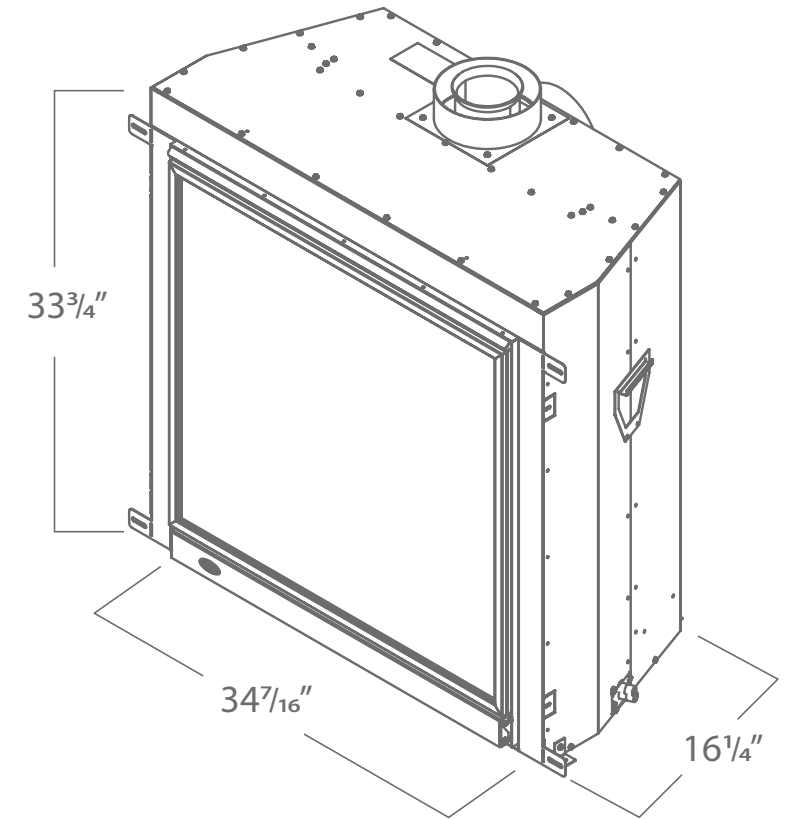


# Unit Dimensions

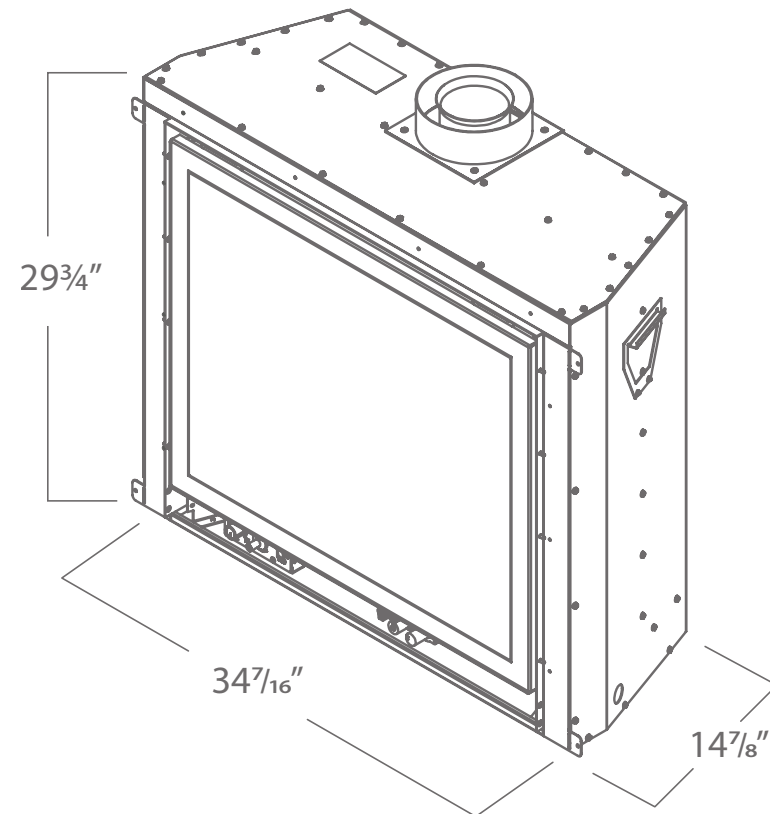
**Q1**  
Gas Fireplace



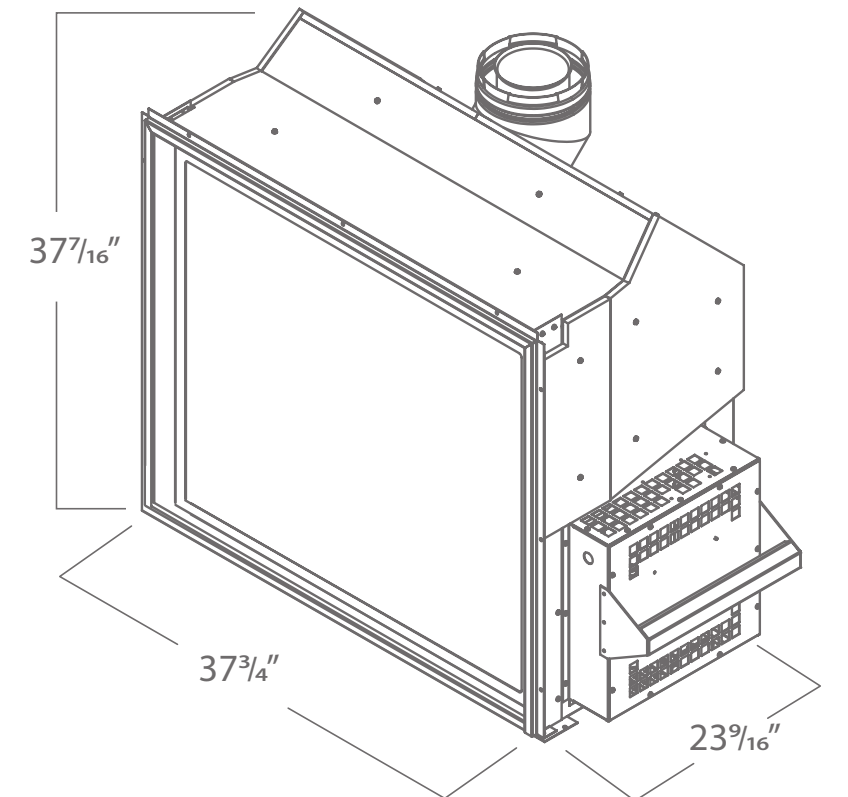
**Q3**  
Gas Fireplace



**Q2**  
Gas Fireplace



**Q4**  
Gas Fireplace







Learn more about our products at

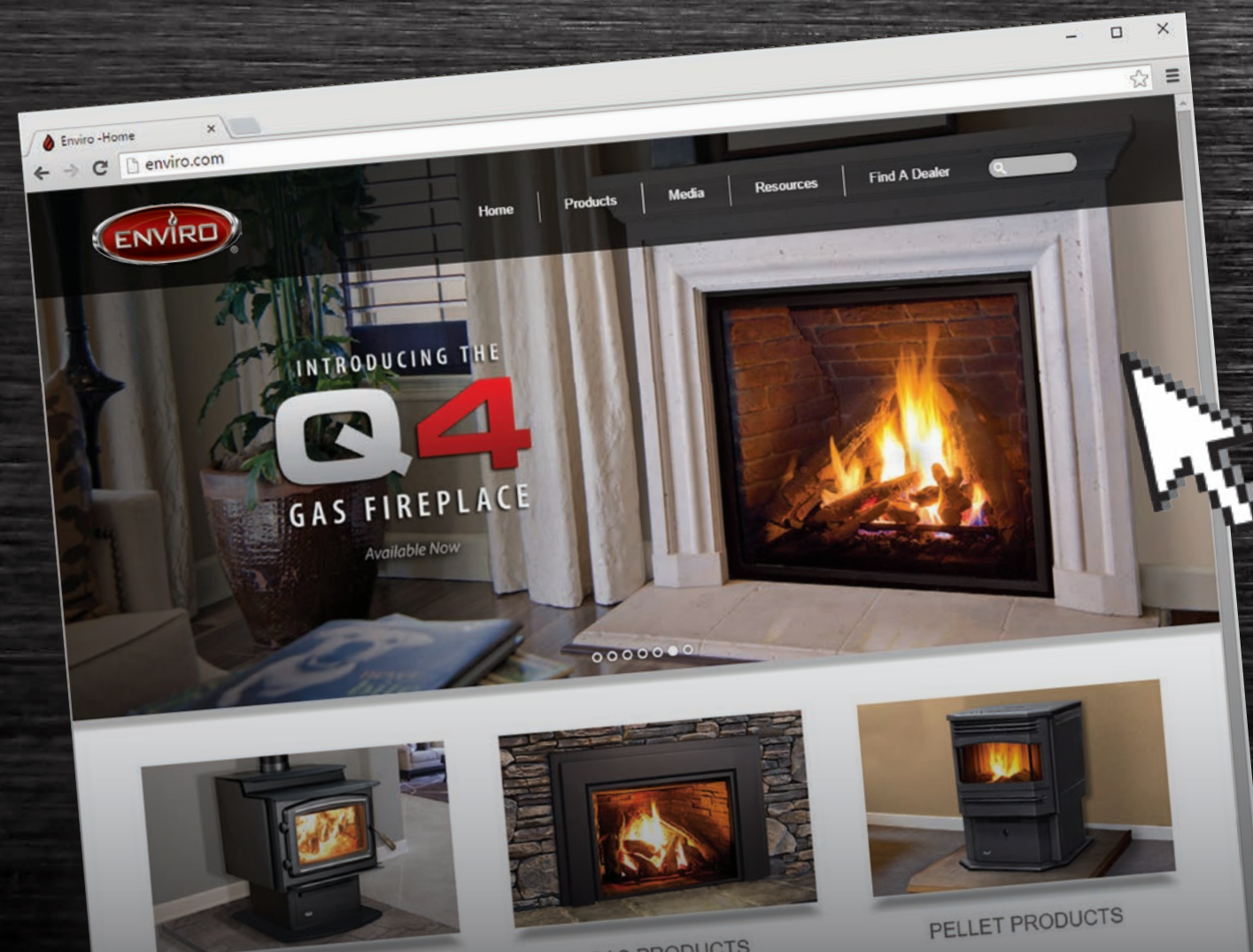
# enviro.com

- Detailed Product lineup
- Model Photo Galleries
- Downloadable Manual PDF's
- Unit Comparison Charts
- Youtube Burn Example Videos
- Online Brochures
- Dealer Locator Tool



A flame that **looks** as good as it **feels**.

POP-284 - MAR13/17





The best way to visualize  
your dream fireplace at home  
is with the Enviro App!



Manufactured by Sherwood Industries Ltd • Victoria, BC, Canada  
enviro.com • info@enviro.com • Printed in Canada, August 2018



Please share and  
recycle this brochure