



GAS
FREESTANDING STOVES



Enviro

HEARTH PRODUCTS



Designed to heat.
Built to Last.

For over 25 years, unsurpassed quality and craftsmanship have made us an industry leader in innovative heating systems. Design, functionality, and efficiency merge to create exceptional products that will exceed all expectations. Whether time-honored traditional or bold and modern, our dynamic range of products will compliment any home décor. With a complete line of fireplace inserts, zero-clearance fireplaces, and freestanding stoves, we have the perfect solution for your heating requirements. We won't just meet your expectations; we'll exceed them...





Design Features

As our entry level gas stove the S20 is the perfect solution for a smaller to mid size living room. Its modern design blends well with a variety of decor and its small footprint offers greater versatility in placement. It's available in both Nova or IPI and can be vented top or rear.

Design Features

- Field conversion kit NG to LP
- Thermostat or remote compatible
- Ceramic logset
- Charcoal fluted liner
- Top vent / rear vent convertible
- Heavy duty heat exchanger
- Easy access controls
- 150 CFM variable speed fan
- Clear View Safety Screen
- Nova and IPI editions

Stove Specifications

BTU Maximum Input - NG	20,000 BTU		
Turn Down*	up to 50%		
Heating Area	1,100 ft ²		
SS Efficiency	76.2%		
Glass Size	346 in ²		
Stove Dimensions	HEIGHT 33½"	WIDTH 24½"	DEPTH 18¾"

* Turn down is based on valve 820



High definition log set



Steel fireplace grate



Modern steel construction



Design Features

The Westport Steel Gas Stove is an affordable solution for a midsize to large living space. It offers the performance of the original Westport Cast Iron Gas Stove with a more modern design and steel outer construction. It's available in both Nova or IPI and can be vented top or rear, and is also compatible with a B vent.

Design Features

- Remote thermostat compatible
- Steel construction
- Ceramic log set
- Quick release glass door system
- Top vent / rear vent / B vent
- Safety screen
- Optional 180 CFM fan
- Nova and IPI editions

Stove Specifications

BTU Maximum Input - NG	30,000 BTU		
Turn Down*	up to 50%		
Heating Area	1,700 ft ²		
Steady State Efficiency	71.6%		
Glass Size	336 in ²		
Stove Dimensions	HEIGHT 27½"	WIDTH 26¼"	DEPTH 19½"

* Turn down is based on valve 820



Formed steel outer construction



High definition log set



Easy access controls



Design Features

The Westport Cast Iron is one of our most popular freestanding gas stoves. Its traditional design and cast iron outer construction provide a classy appearance. The Westport Cast Iron Gas Stove is available in a painted black matte finish or an antique chestnut porcelain enameled finish. It can be vented top, rear, and is also compatible with a B vent.

Design Features

- Remote thermostat compatible
- Cast iron outer construction
- Ceramic log set
- Quick release glass door system
- Top vent / rear vent / B vent
- Safety screen
- Optional 180 CFM fan
- Nova and IPI editions
- Multiple Finishes:
 - Painted Black
 - Enameled Antique Chestnut

Stove Specifications

BTU Maximum Input - NG	30,000 BTU		
Turn Down*	up to 50%		
Heating Area	1,700 ft ²		
Steady State Efficiency	71.6%		
Glass Size	336 in ²		
Stove Dimensions	HEIGHT 27½"	WIDTH 25¾"	DEPTH 19½"

* Turn down is based on valve 820



Cast iron doors



High definition log set



Enameled antique chestnut finish



Design Features

The S40 Freestanding Gas Stove offers a maximum BTU output of 40,000 making it excellent at heating large living spaces. It has a modern design and a 5/16" steep plate top. Instead of a typical burner tube layout, the S40 uses a ceramic log burner that blends in with the rest of the log set to create a more realistic appearance.

Design Features

- Heavy duty heat exchanger
- Thermostat or remote compatible
- Ceramic log set and burner
- 5/16" steel plate top
- Ceramic charcoal fluted liner
- 150 CFM variable speed fan
- Optional B vent adaptor
- Nova valve

Stove Specifications

BTU Maximum Input - NG	40,000 BTU		
Turn Down - Valve 820	up to 50%		
Heating Area	2,000 ft ²		
Steady State Efficiency	69%		
Glass Size	355 in ²		
Stove Dimensions	HEIGHT 28 ⁵ / ₁₆ "	WIDTH 26 ¹ / ₈ "	DEPTH 22 ⁷ / ₁₆ "

* Turn down is based on valve 820



Modern design



Ceramic burner



Heavy duty heat exchanger



Design Features

The Berkeley is our newest freestanding gas stove. It's European cast iron outer construction creates a traditional esthetic with modern accents. What really sets the Berkeley apart is it's 180° viewing angle giving plenty of exposure to it's high definition log set and ceramic burner. The Berkeley is available in both a matte black finish or an enameled antique chestnut.

Design Features

- European made castings
- 180° viewing angle
- Nova and IPI editions
- Heavy duty heat exchanger
- B-vent compatible (Nova)
- Ceramic log set and burner
- Multiple Finishes:
 - Painted Black
 - Enameled Antique Chestnut

Stove Specifications

BTU Maximum Input - NG	40,000 BTU		
Turn Down*	up to 67.5%		
Heating Area	2,000 ft ²		
Steady State Efficiency	70.8%		
Glass Size	724 in ²		
Stove Dimensions	HEIGHT	WIDTH	DEPTH
	30¼"	29½"	22½"

* Turn down is based on valve 885 with front burner being turned off.



Flame visible from three sides



9 Piece ultra high definition log set



European castings - enameled antique chestnut

Unit Specifications

Performance

	S20 SMALL GAS STOVE	Westport STEEL STEEL GAS STOVE	Westport CAST IRON GAS STOVE	S40 LARGE GAS STOVE	Berkeley CAST IRON GAS STOVE
BTU Maximum input - NG	20,000 BTU	30,000 BTU	30,000 BTU	40,000 BTU	40,000 BTU
Turn Down - Valve 820 / Valve 885	50% / 33%	50% / 33%	50% / 33%	50% / —	50% / 67.5%*
Construction	Steel	Steel	Cast Iron	Steel	Cast Iron
SIT Valve 820 (Standing Pilot)	Available	Available	Available	Available	Available
SIT Valve 885 (IPI)	Available	Available	Available	N/A	Available
Efficiency - Steady State**	76.2%	71.6%	71.6%	69%	70.8%
Efficiency - FE rating	74.5%	60%	60%	65%	67.4%
Glass Size	19¾" x 17½", 346 in²	16.5" x 20.375", 336 in²	16.5" x 20.375", 336 in²	16⅞" x 21", 355 in²	724 in² (Front + Sides)

Installation

	S20 SMALL GAS STOVE			Westport STEEL STEEL GAS STOVE			Westport CAST IRON GAS STOVE			S40 LARGE GAS STOVE			Berkeley CAST IRON GAS STOVE		
Dimensions	HEIGHT	WIDTH	DEPTH	HEIGHT	WIDTH	DEPTH	HEIGHT	WIDTH	DEPTH	HEIGHT	WIDTH	DEPTH	HEIGHT	WIDTH	DEPTH
LP Conversion Kit (SP)	Standard			Standard			Standard			Standard			Standard		
LP Conversion Kit (IPI)	Optional			Optional			Optional			N/A			Optional		
Venting (Direct Vent)	4" x 6⅝"			4" x 6⅝"			4" x 6⅝"			4" x 6⅝"			4" x 6⅝"		
Venting Compatibility	Top / Rear			Top / Rear			Top / Rear			Top			Top		
B Vent Compatibility	N/A			Yes			Yes			Yes			(Nova Only)		
Weight	225 lbs			117 lbs			227 lbs			275 lbs			295 lbs		
Convection Fan	Included			Optional			Optional			Included			Included		

* Berkeley IPI turn down based on front burner being turned off.

** Steady state rating based on conventional venting configuration.

Specifications and measurements are subject to change. Please refer to owners manual for the most up to date and detailed product information.

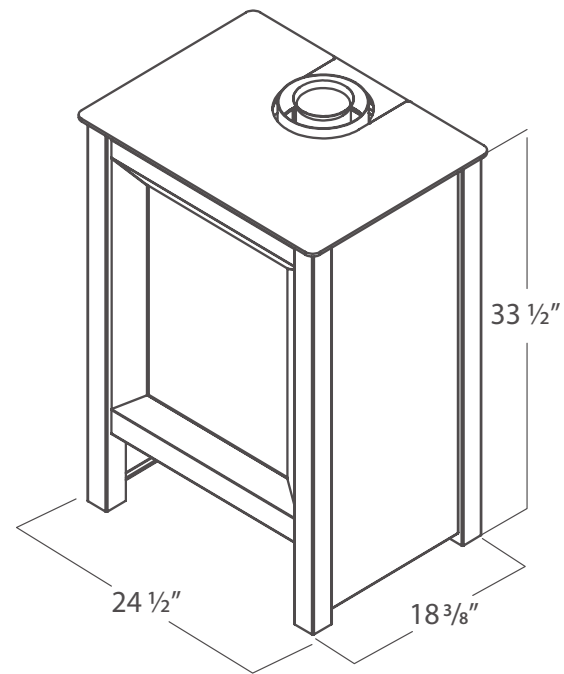
Unit Specifications

Clearance to Combustibles

	S20 SMALL GAS STOVE	Westport STEEL STEEL GAS STOVE	Westport CAST IRON GAS STOVE	S40 LARGE GAS STOVE	Berkeley CAST IRON GAS STOVE
Min. distance to the stove's sides	8"	11"	11"	11⅜"	12"
Min. distance behind the stove	4"	2.5"	2.5"	5"	5"
Min. alcove height to top of stove	12"	32½"	32½"	28⅝"	27½"
Min. distance corner to wall	3"	2.5"	2.5"	7.5"	7.5"

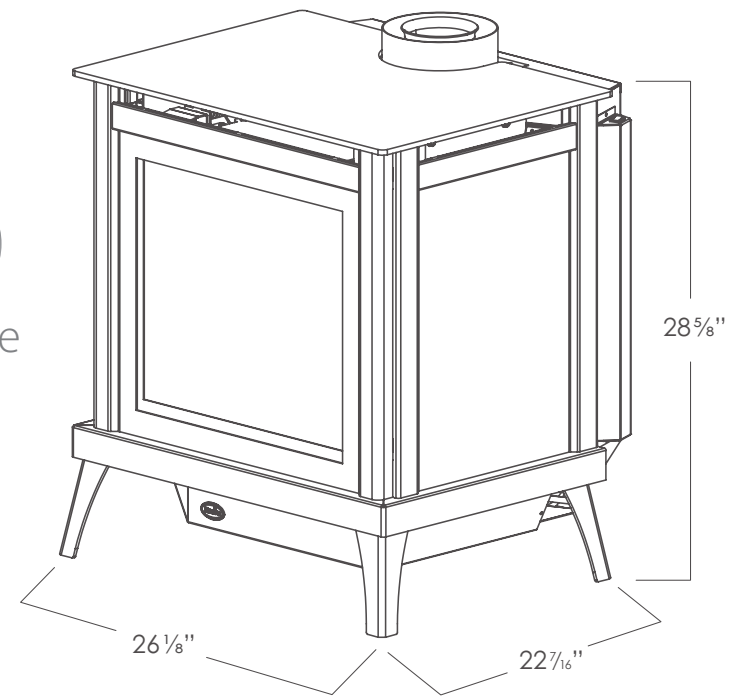
Unit Dimensions

S20
Gas Stove

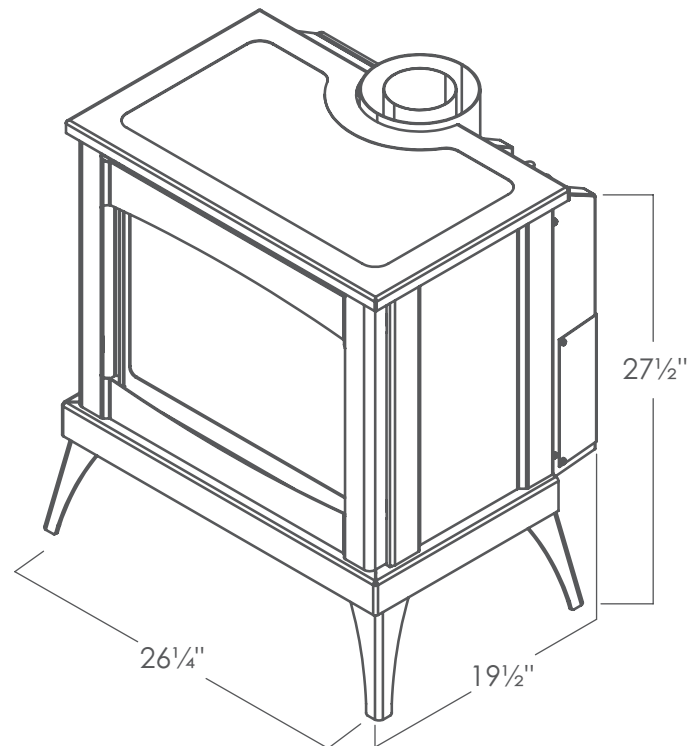


Unit Dimensions

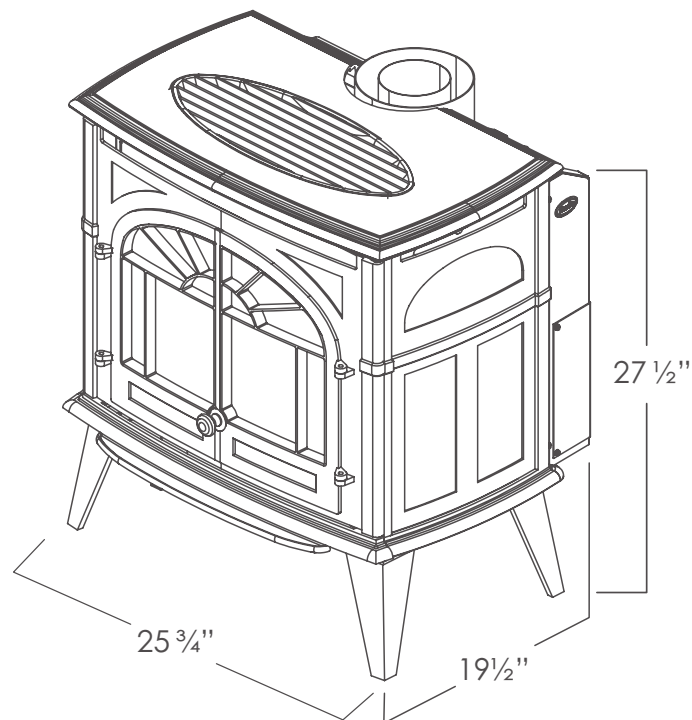
S40
Gas Stove



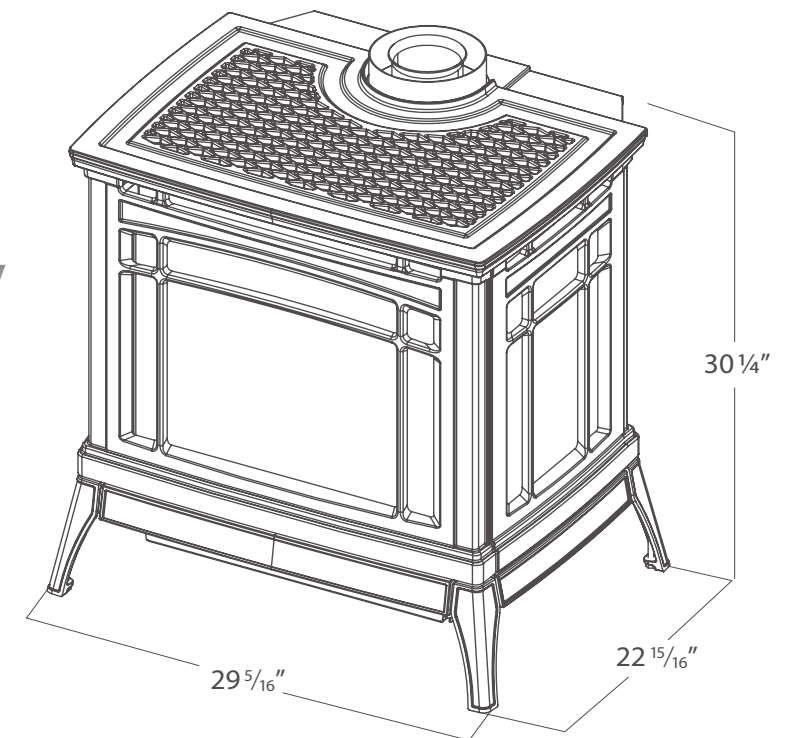
Westport
Steel Gas Stove



Westport
Cast Iron Gas Stove



Berkeley
Cast Iron Gas Stove



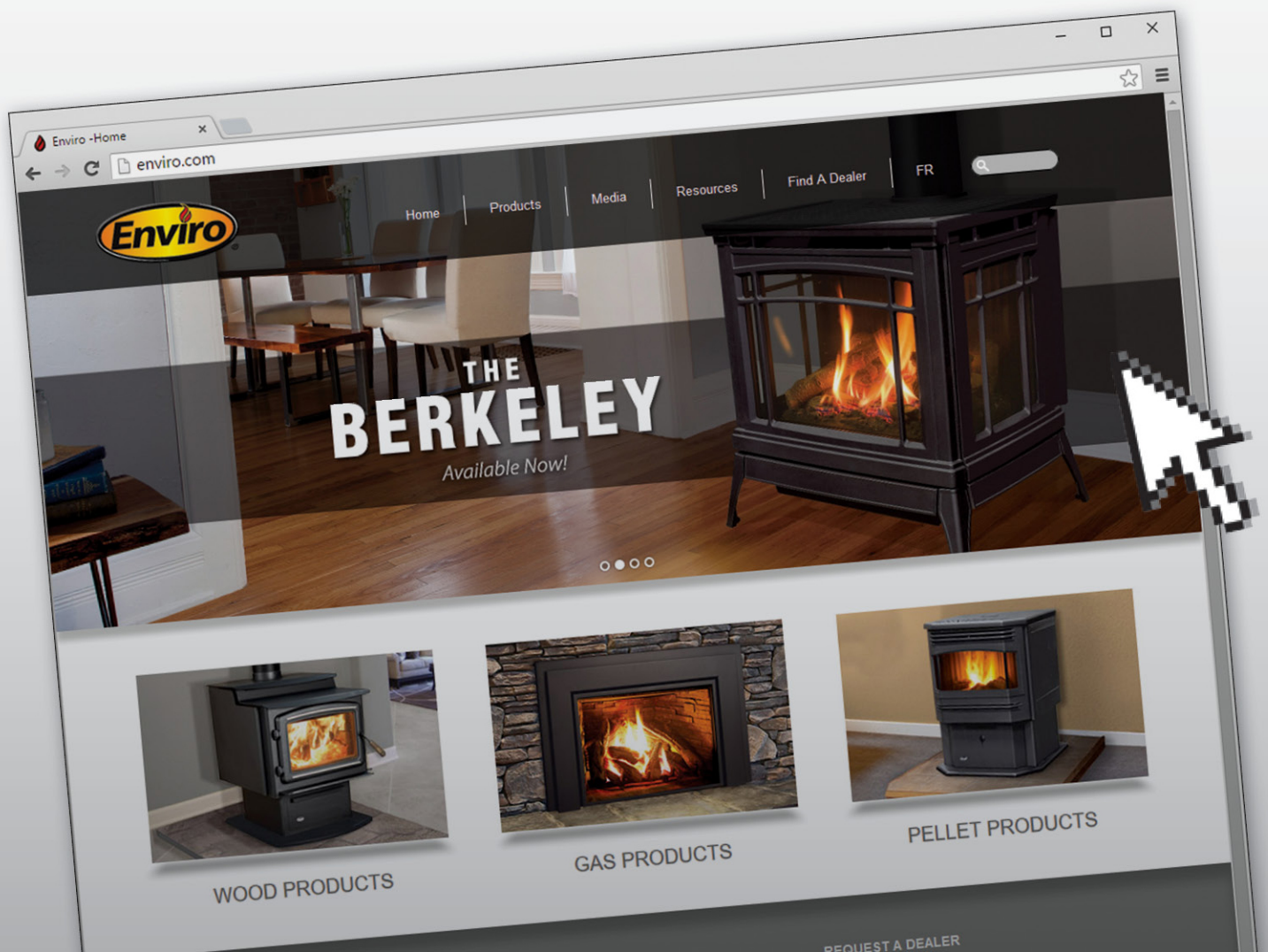
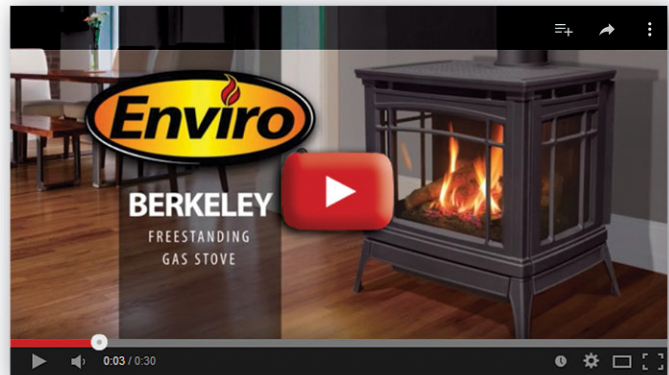
**DESIGNED
& BUILT IN
NORTH
AMERICA**

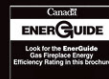


Learn more about our products at

enviro.com

- Detailed Product Lineup
- Model Photo Galleries
- Downloadable Manual PDF's
- Unit Comparison Charts
- Youtube Burn Example Videos
- Online Brochures
- Dealer Locator Tool





Manufactured by Sherwood Industries Ltd • Victoria, BC, Canada
enviro.com • info@enviro.com • Printed in Canada, February 2017



Please share and
recycle this brochure