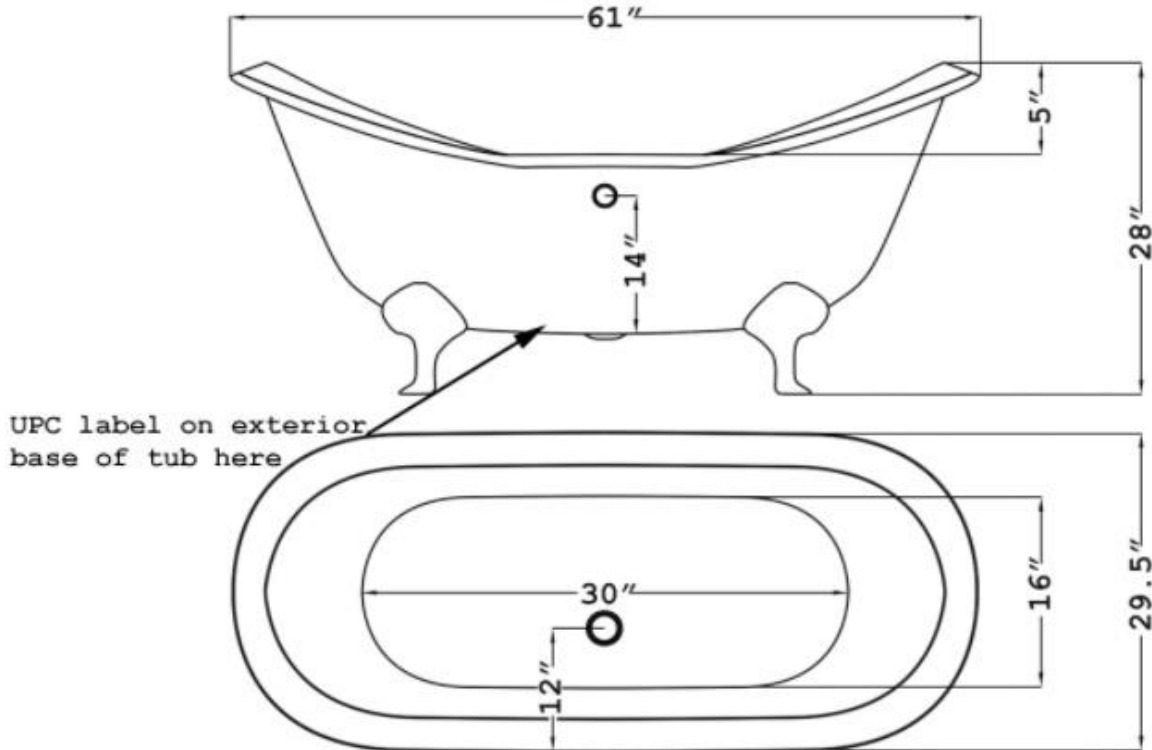


QUALITY  
ICS  
BATHS



### 61 " Double Slipper Claw Foot



Tub weight empty - 305 lbs  
Tub weight crated - 419 lbs  
Gallons to overflow - 45  
Tub weight when full - 681 lbs

Requires either a wall  
mounted or freestanding  
tub filler

Meets ASME A112.19.1-2013

Measurements are accurate to the nearest 1/2" and are subject to change without notice

[www.ICSqualitybaths.com](http://www.ICSqualitybaths.com)