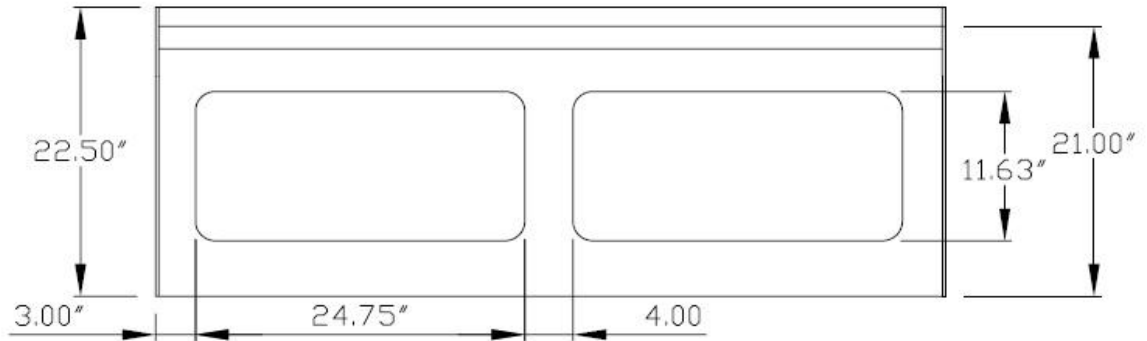
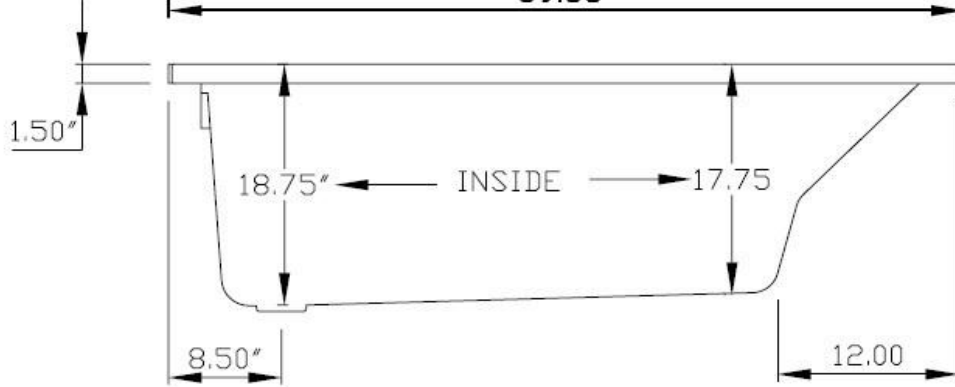
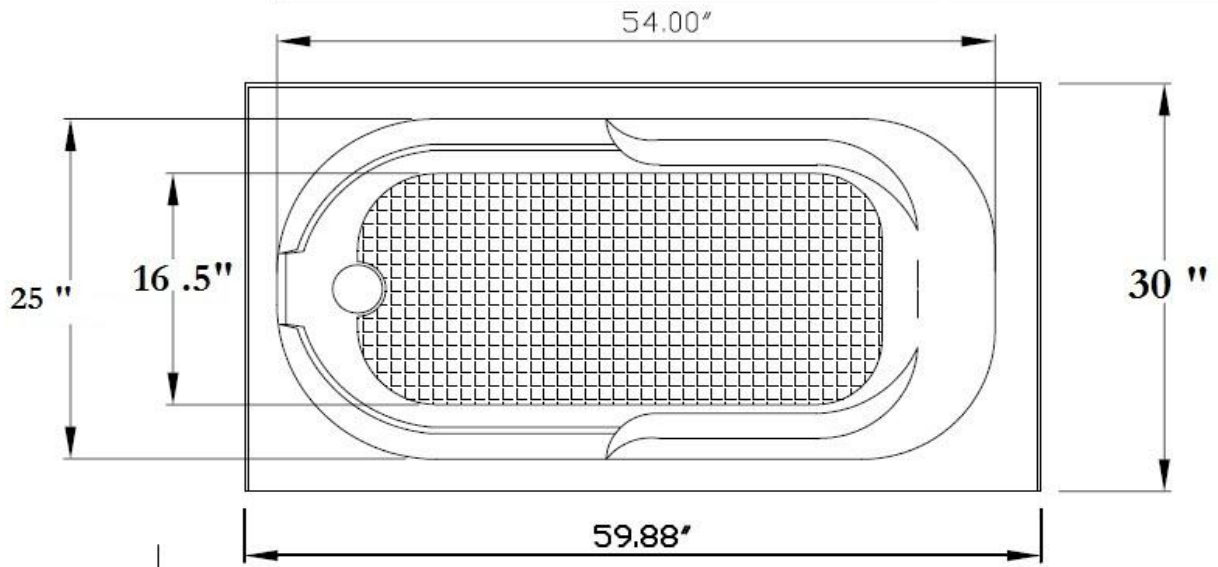


30 " x 60 " x 20 " skirted TF

REVISIONS

Left Hand

ZONE	REV	DESCRIPTION	DATE	APPROVED
------	-----	-------------	------	----------



Quality Acrylic Baths

SIZE A	FSCM NO.	DWG NO. QAB MODEL 30 - L	REV IR
SCALE		SHEET 1 OF 1	