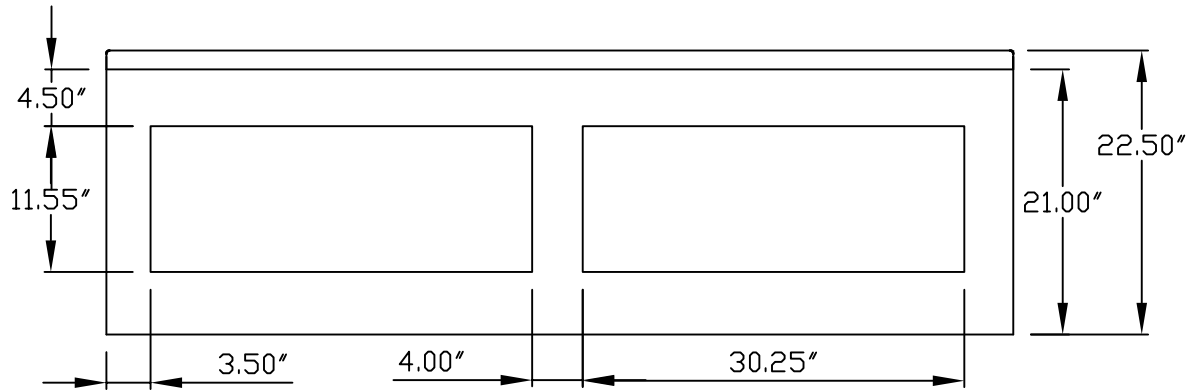
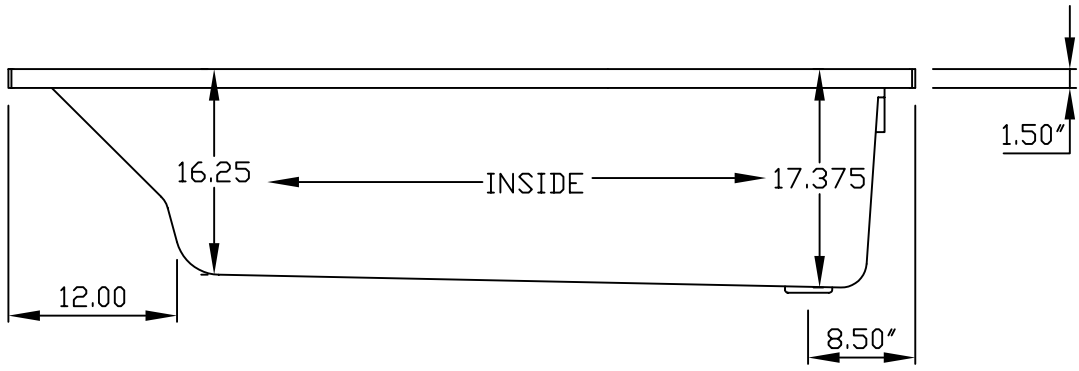
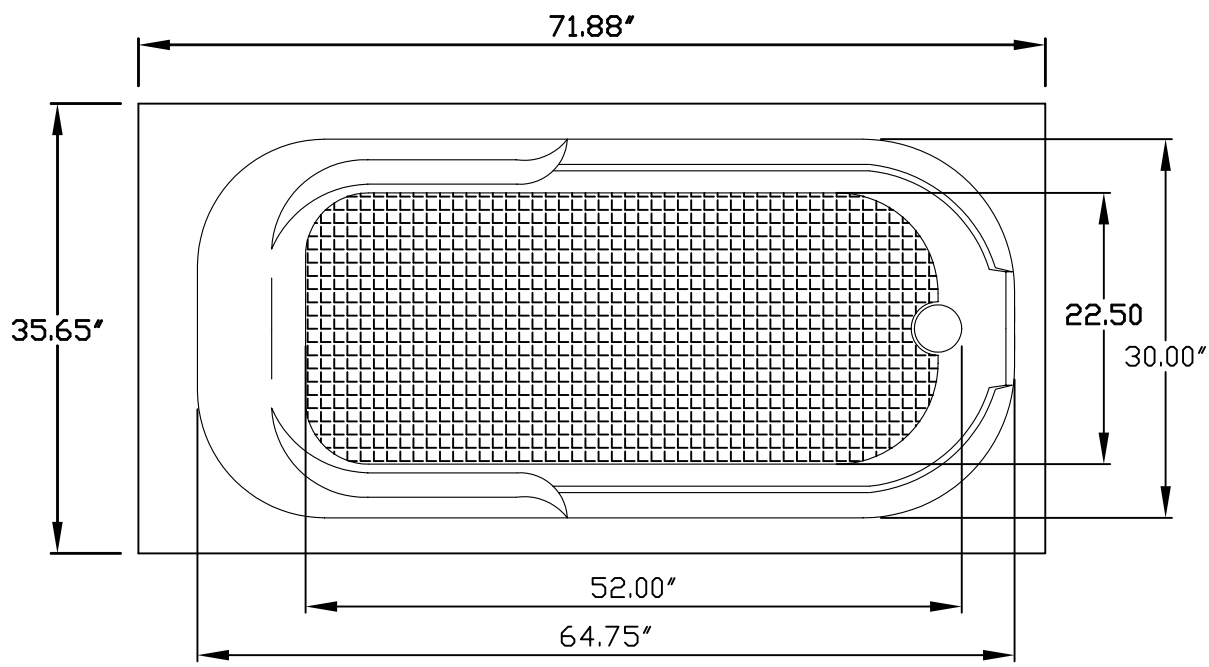


REVISIONS				
ZONE	REV	DESCRIPTION	DATE	APPROVED



		<h1>Quality Acrylic Baths</h1>		
		SIZE A	FSCM NO.	DWG NO. QAB MODEL 3672 R
		SCALE	SHEET 1 OF 1	