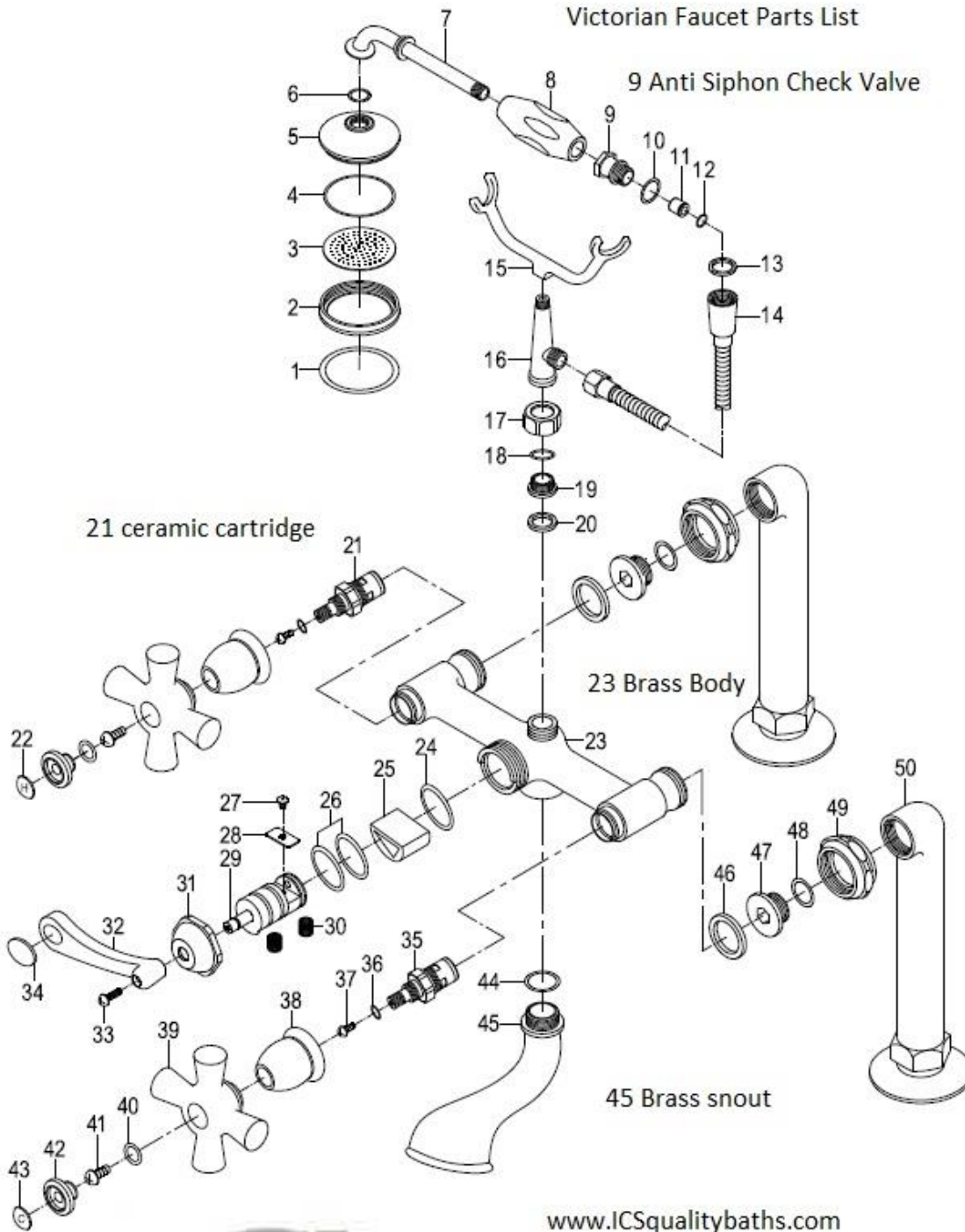


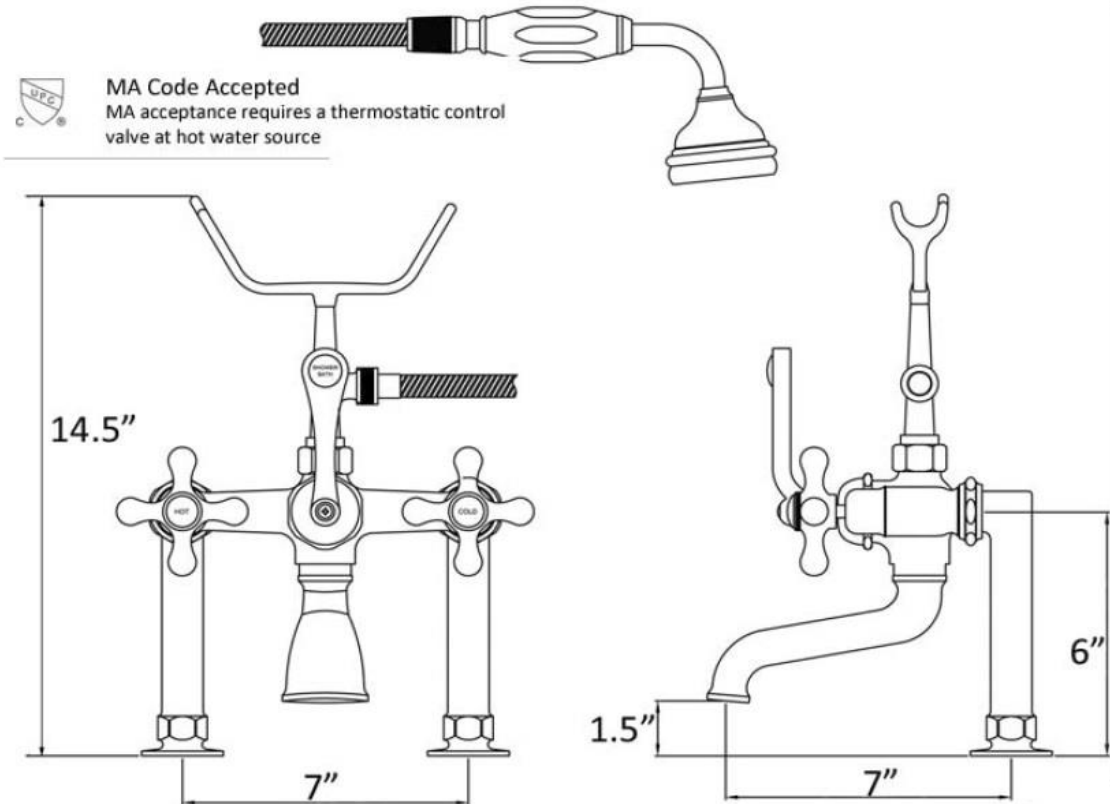
Victorian Faucet Parts List





Victorian Faucet Measurements & Approvals

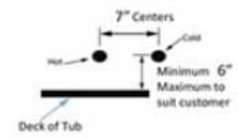
UPC. MA, ANSI



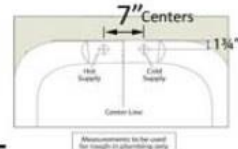
MA Code Accepted
MA acceptance requires a thermostatic control valve at hot water source

Integrated Handheld Shower
ANSI Approved Back-flow Prevention
Deck Mounted or Wall Mounted
1/4 Turn Ceramic Valves
8 Gallons Per Minute @ 60 psi
1/2" Male Connectors Supplied

VF110T Victoriana Tub Filler WALL MOUNT



For Wall Mount, we recommend a minimum center height of 6" above the tub deck on 7" centers. Tub distance from the wall should be no greater than 4".



Deck Mount on a Hotel Collection Tub.

Measurements to be used for rough-in planning only