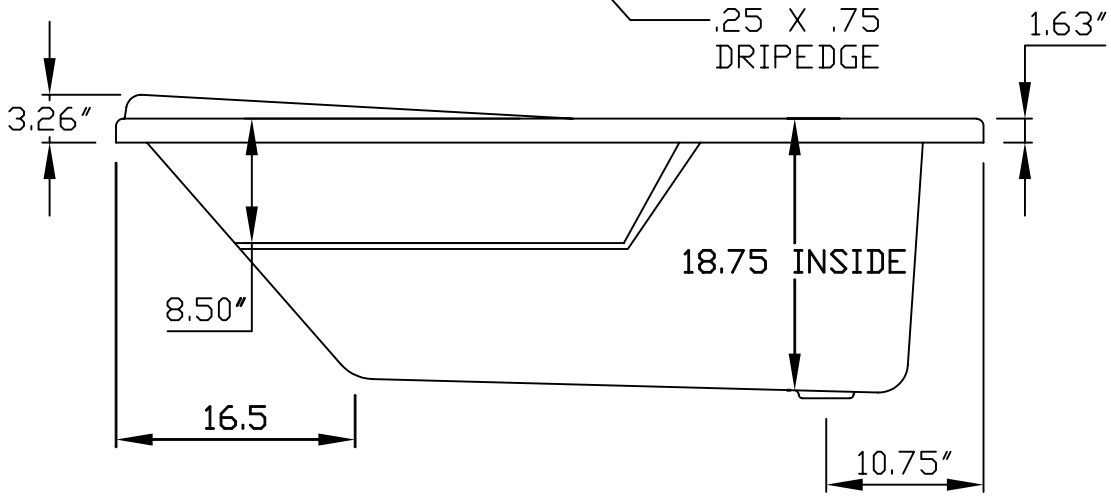
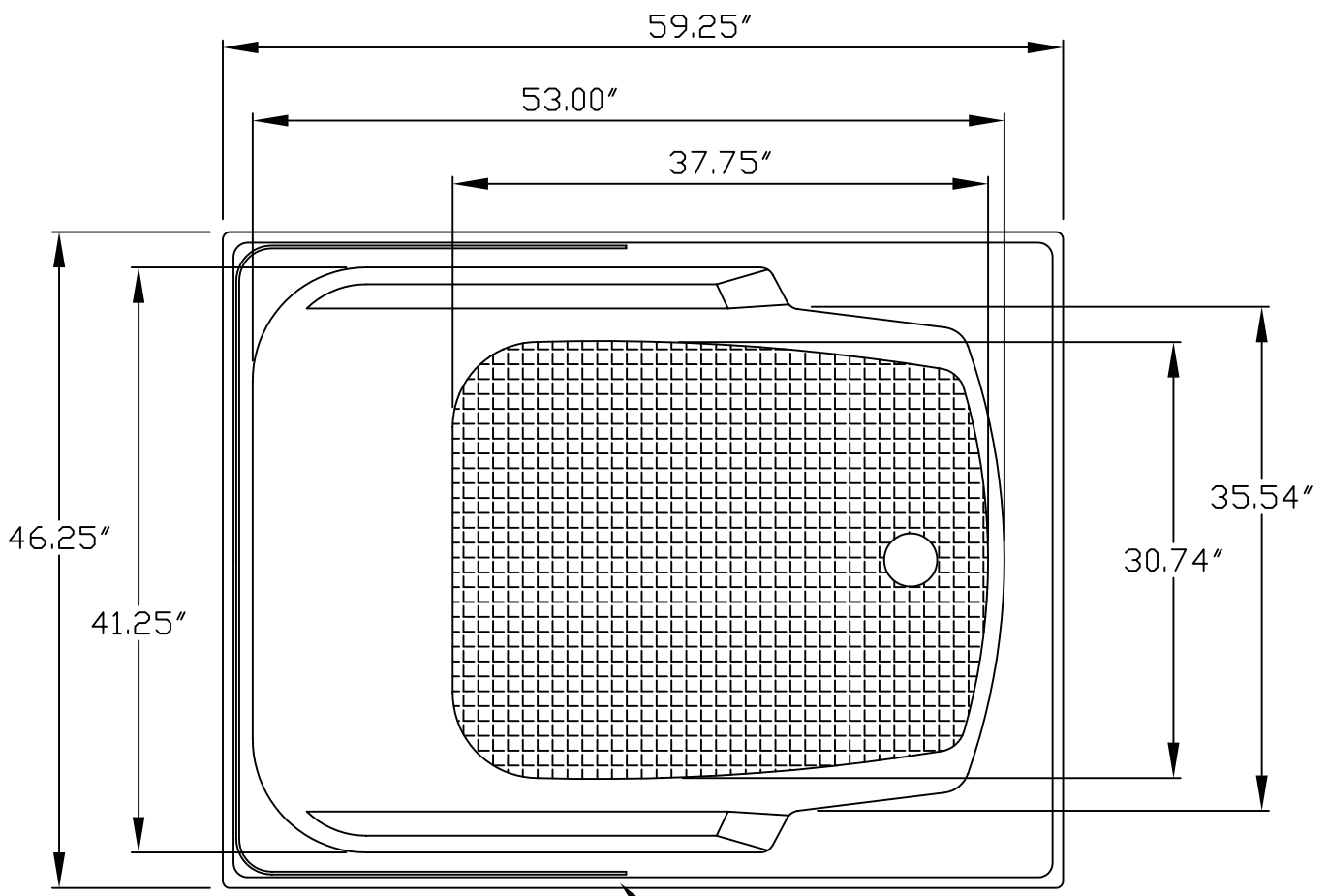


REVISIONS				
ZONE	REV	DESCRIPTION	DATE	APPROVED



		<h1>Quality Acrylic Baths</h1>		
SIZE A	FSCM NO.	DWG NO. <b>QAB MODEL 214</b>	REV IR	
SCALE		SHEET 1 OF 1		