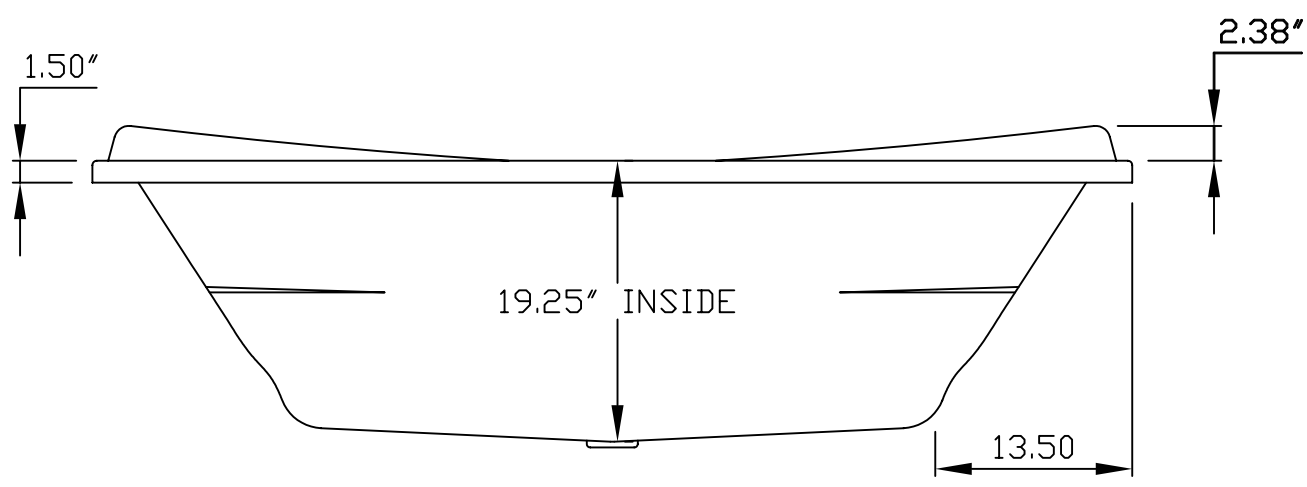
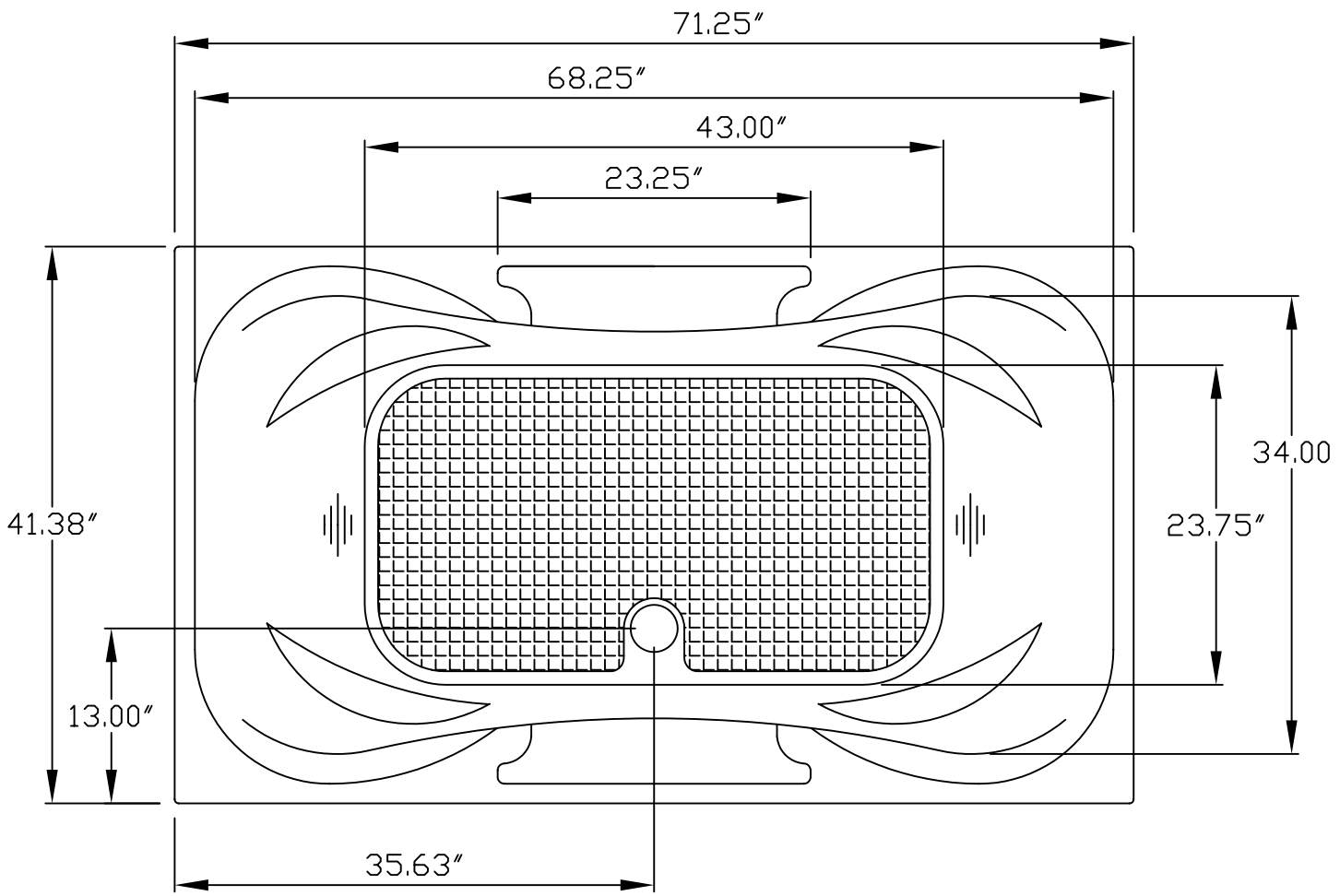


| REVISIONS | | | | |
|-----------|-----|-------------|------|----------|
| ZONE | REV | DESCRIPTION | DATE | APPROVED |



| | | | | |
|--|--|--------------------------------|--------------|---------------------------------|
| | | <h1>Quality Acrylic Baths</h1> | | |
| | | SIZE A | FSCM NO. | DWG NO. QAB MODEL 304 |
| | | SCALE | SHEET 1 OF 1 | |