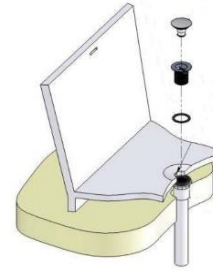




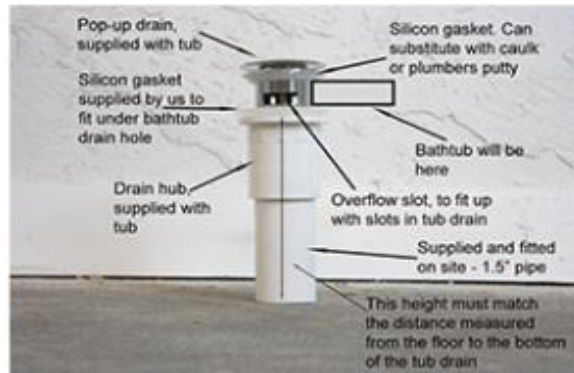
ICS Easy Install Slotted Drains

use PVC treaded hubs for a secure

leak free installation.



Drain installation for one piece stone resin and one piece acrylic bathtubs



Step 1



Measure height from floor to this point under the bathtub drain hole. This will determine the height from the floor to the top flange of the hub supplied

Step 2



Cut pipe from floor and connect hub. Required height is from Step 1. Apply some caulk to the top flange of the hub to hold the silicon gasket in place. Lift tub over drain.

Step 3



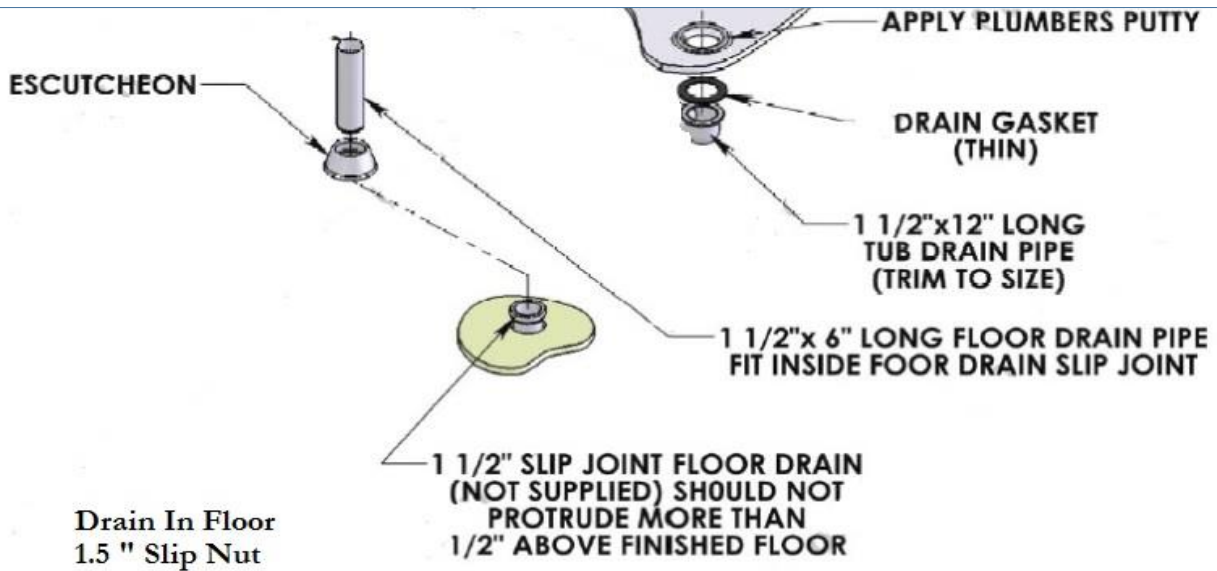
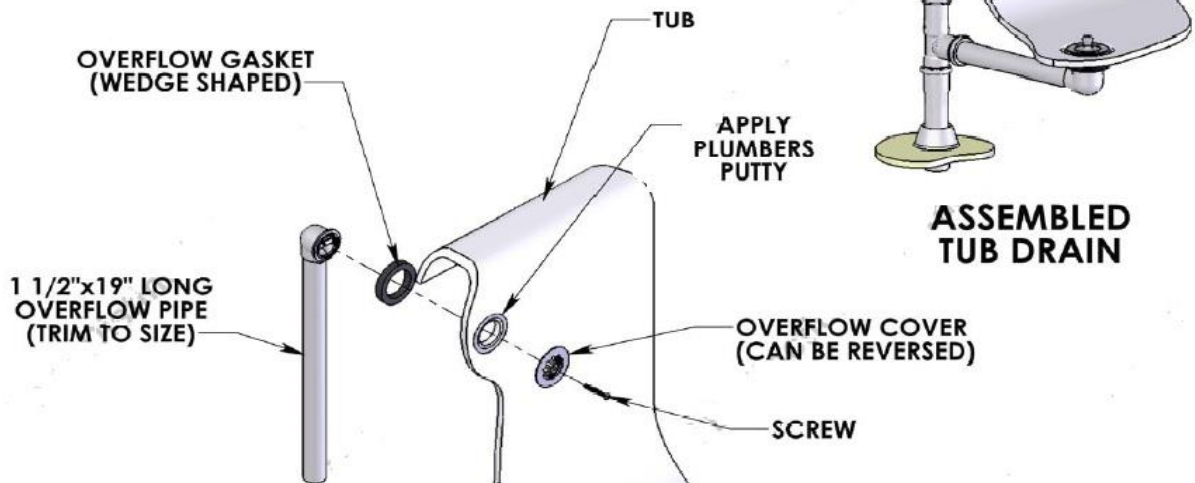
Seal the top of the drain basket as noted above. Unscrew pop-up and use a basket wrench to tighten the drain basket into the hub. Allow to dry and then re-attach the pop-up, fill with water and test for leaks

Drains Continued:

Traditional Pedestal, Clawfoot and Cast Iron tubs use decorative drains for classic beauty.

REGULAR DRAIN

T Type drains use slip nut in floor 1.5 "



Our lift & turn Drains



Walk-in Baths use cable drains for easy open / closed operation.

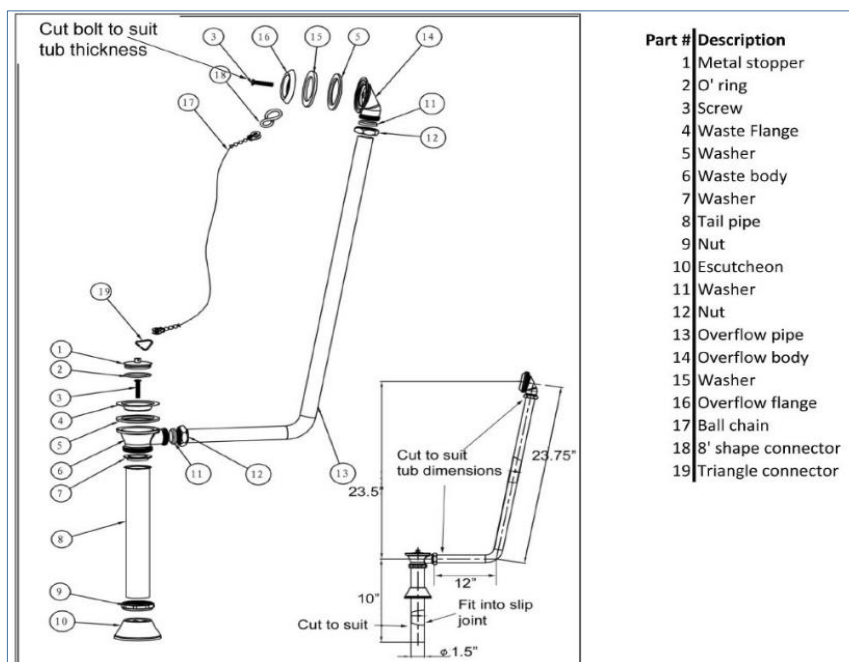


Polished Chrome



Brushed Nickel

ICS Special Victorian Drain for Claw foot or Skirted Classic tubs;



Unique Drain allows use on any thickness tub.

www.ICSqualitybaths.com