



**Security
Solutions**



**Smart
Solutions**



**Lifestyle
Solutions**



**Solar
Solutions**



**Acoustic
Solutions**

PREMIUM PRODUCTS FOR SECURITY & LIFESTYLE SOLUTIONS

APG SOLUTIONS - AT A GLANCE

APG solutions is a family owned & operated business based in the Clark, Pampanga area. Formed in 2011 – we have been supplying a range of Security, Outdoor Lifestyle, Solar & Acoustics products to the local Philippine market & wider South East Asian market since that time.

The company started out as a distributor of Acoustic / Noise Control Products to the Industrial, Commercial & Architectural Markets. From there we added Security & Access Control, Outdoor Lifestyle Products & most recently Solar Products to our portfolio.

We are a growing family business and pride ourselves on a quality product offering combined with a high level of customer service. We are proud to be the local representative of quality brands & use each and every one of the products that we sell in our own daily life.

As a growing company we are always on the lookout to add quality products to our portfolio, we have grown in large part due to a dedicated repeat customer base who often have purchased multiple products from our range.

CONTENTS



- APEX™ Aluminium Roller Shutters
- Guard-Tec® Aluminium Fencing / Gates
- HIKVISION® CCTV Systems
- Smart-Secure – Wireless Smart Home Security
- LITE-BEAM® - Photo-electric Perimeter Security
- LIVE-DOOR® - Wireless Active Door Bell System



- BRAVO – UV Fabric Motorized Waterproof Sun Screens
- DECOY – Motorized Awnings with UV Fabric
- HYDRATOR – Professional Misting Systems

PREMIUM SHUTTER RANGE



ALUMINIUM ROLLER SHUTTERS

Imported & Professionally Installed by APG Security.

Distributed by;
DSM Engineering Ltd
dsmengltd@gmail.com
+63(0)9177015967

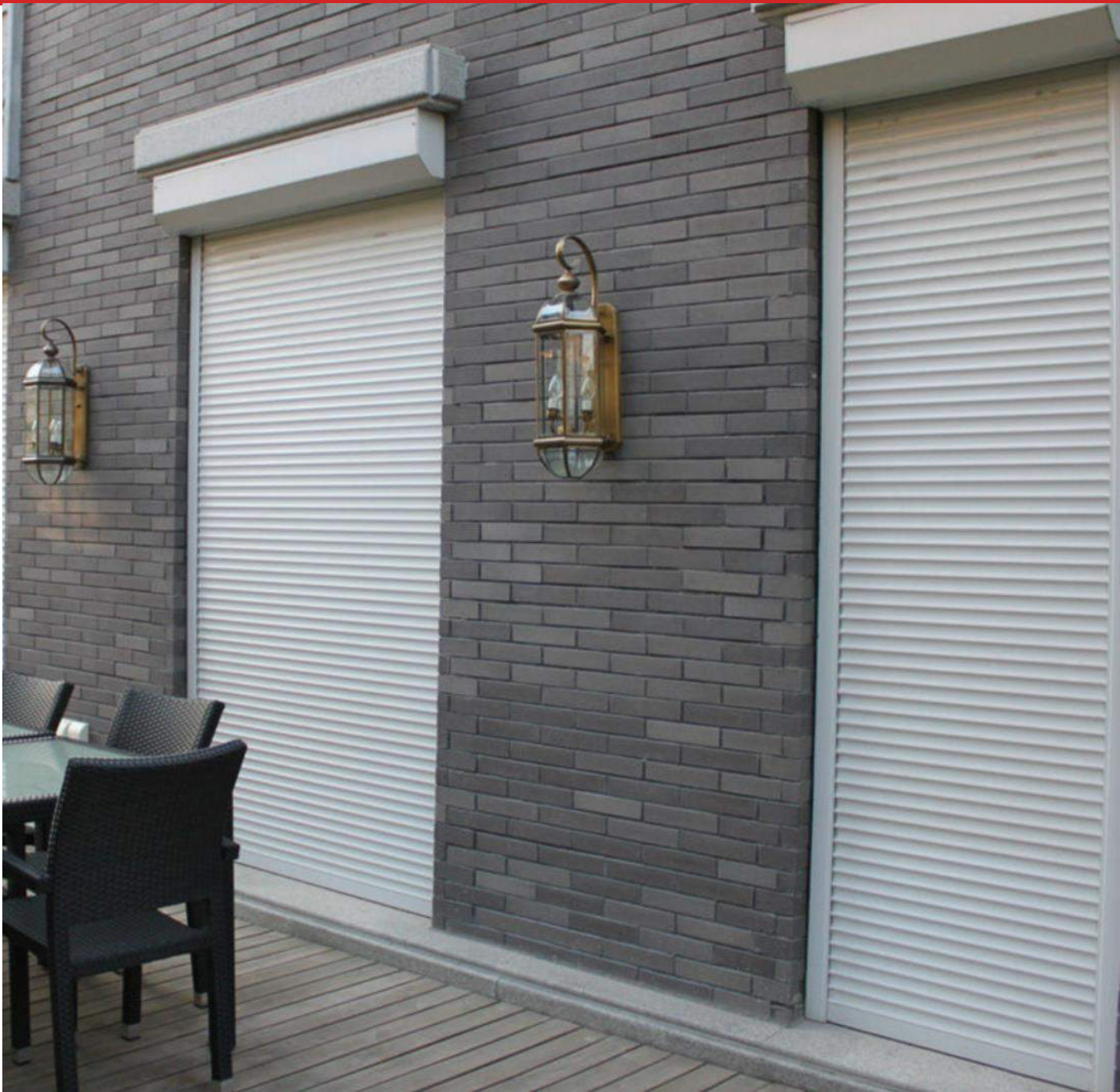
PREMIUM SHUTTER RANGE



The APG Premium range of Aluminum Roller Shutters have been expertly designed to offer the maximum of security and privacy whilst blending in with the external finish of your home. The Premium range comes in a variety of standard colours (white, beige and brown) but can also be customized at our factory and powder coated to any RAL colour. All external parts of the roller shutter system are premium grade aluminum alloy – making the range ideal for coastal applications or tropical climates. The APG range is ideal for covering doors, windows and open areas and can be configured to a maximum size of 3m x 2.6m and can be operated manually via crank, cord or can be motorized and opened or closed using remote control.

- Aluminum – Strong, Light & will not corrode
- Powder Coated in STD or Custom Colours
- Privacy – Reduce Noise by up to 20db
- Motorized Operation – 110 – 380Vac
- Protection from driving wind, rain & debris
- Typhoon & Hurricane Category Rating
- Shutters carry CE & TUV Certifications
- Slats are Insulated with 65kg/m3 PU foam
- Every Shutter is shipped - 100% Factory Tested
- Ideal for residential, office or commercial use

Distributed by;
DSM Engineering Ltd
dsmengltd@gmail.com
+63(0)9177015967

**PREMIUM SHUTTER RANGE**

Above example of the APG Premium Shutter used to protect sliding windows & doors in a residential deck application. Our shutters provide excellent protection from tropical weather conditions, protecting doors and windows from driving wind and rain, flying debris in high wind conditions & providing an additional layer of security to protect your home. APG Premium shutters also add value to any home and improve the efficiency of heating and/or cooling your home whilst being aesthetically pleasing – no more unsightly steel bars, they are also ideal for second homes which may be left unattended for periods of time.

Distributed by;

DSM Engineering Ltd

dsmengltd@gmail.com

+63(0)9177015967

PREMIUM SHUTTER RANGE



Available in 4 Standard Colours

- WHITE
- BEIGE
- BROWN
- GREY

Customized paint available on request, although lead times will be increased over standard colours.

Aluminum Slats available in

- 45 & 55mm with Pu foam Filled 65kg/m³
- 70mm with Pu foam Filled 65kg/m³

Aluminum guide rails available in 55mm and 70mm widths. All Aluminum is T grade Alloy which is resistant to corrosion.

3 methods for opening / closing

- Automatic Motor & Remote
- Manual Hand Wind Crank
- Off-grid Motor + Solar Option

Our Tubular Motors are Industry leading and have both CE and TUV Certifications & come with a stylish remote control.

- ✓ **SAVE ENERGY – UP TO 30% ON AIR CONDITIONING EFFICIENCY**
- ✓ **IMPROVED INSULATION & CONTROL AMOUNT OF SUNLIGHT**
- ✓ **REDUCE NOISE – 20dB REDUCTION ON NOISE FROM OUTSIDE**

Distributed by;
DSM Engineering Ltd
 dsmengltd@gmail.com
 +63(0)9177015967

PREMIUM SHUTTER RANGE

Our Premium range of shutters not only protect your doors and windows but can also be used to protect open areas such as bars, poolside terraces, gymnasiums, parking bays and any other outdoor lifestyle applications.

Our bright colours, corrosion resistant design & aesthetic qualities mean that our shutters will add to the ambience of any property and under any kind of climate.

Relax with the peace of mind that your valuables are protected when you are not there, prevent unwanted access to your pool, your bar, lock up for the off season or simply shut down in the evenings – everything can be achieved at the touch of a button.



Above: Premium Range in standard white with 45mm slats & 55mm guide rails used on a corner bar, allows the owner to keep the bar stocked & secured when closed.

Below: The Premium Range in standard beige colour with the top boxes mounted internally - used to seal off the house from the pool area in this vacation home. This application uses the 55mm guide rails with the 45mm slat option with the motors connected in tandem for uniform opening and closing via remote control.





ALUMINIUM PVDF COATED PERIMETER FENCING

Introducing the Guard-Tec range of aluminium fencing for your home or garden. This lightweight, strong product comes with a 10 year guarantee against corrosion & color defects. Each fence is custom made to suit your wall or structure & comes in a range of colors and finishes. Extruded from Aluminium 6063 (T5) and finished in a PVDF coating with flat or wood-grain finishes - the Guard-Tec range offers a degree of luxury & quality to your home or construction project, whether it be a brand new build or a replacement for traditional steel fencing, we are sure you will appreciate the aesthetics & function of this fantastic product.

- Extruded Aluminium Slats in 6063 (T5)
- A range of PVDF Coatings in any RAL Color or Wood Grain Finishes
- Installed by trained construction professionals
- UV Protection against dis-coloration & corrosion resistant
- Ideal for coastal applications & tropical climates - will not rust!
- Each Fence is custom made to suit your exact requirements



PREMIUM ALUMINIUM FENCING - COLOURS / FINISHES

Our Premium Range of Fencing products are available in any STD RAL Colour as well as the wood effect options below.



Atlantic Cedar Blackbutt Bush Cherry Jarrah Kwila



Light Oak Tassie Oak Western Red Cedar



Australian Cedar Elm Iron Bark Knotty Pine



Aspen Black Walnut *NEW* Chestnut Iroko Maple

Distributed by;
DSM Engineering Ltd
 dsmengltd@gmail.com
 +63(0)9177015967

PREMIUM HIKVISION HD CCTV



- APG Security is proud to supply & install HIK Vision CCTV Systems in the Philippines.
- We use only the highest quality cameras, recorders & accessories from HIK Vision – no other brands.
- Ranging from 2MP to 8MP Cameras & from Single Camera to 32 x Camera installations – we cater for all.
- Clients can livestream & remote view from anywhere and on any device up to 8TB worth of video recording
- 100% Money Back Guarantee if you are not satisfied with our HIK Vision Installation.
- Customer range from private homes & offices to sub divisions & city, municipality & local government
- CAT VE, CATVI, Wired, Wireless & Fiber Installations



HIKVISION

Distributed by;
DSM Engineering Ltd
 dsmengltd@gmail.com
 +63(0)9177015967

PREMIUM WIRELESS HOME SECURITY

**APG SOLUTIONS
SMART SECURITY SYSTEM**
PROTECT YOUR HOME & FAMILY

Presenting the most advanced smart, reliable wireless security system from APG Solutions. Only APG Solutions can give you Industry Leading safety, security & peace of mind.



APG Solutions Main Unit



Outdoor Siren & Strobe



Smoke & Heat Sensor



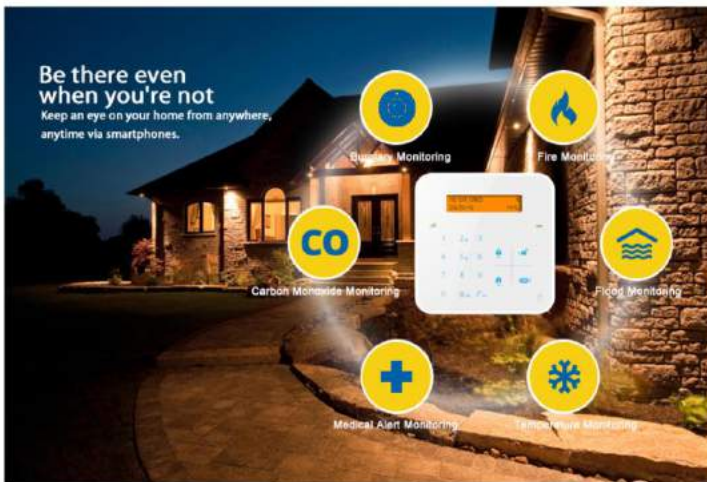
Wireless Motion PIR & Magnetic Contact Sensors



Wireless Gas, Flood & Vibration Sensors



Solar / Wireless Perimeter Beam



BURGLARY FIRE CO FLOOD MONITORING

By utilizing a wide range of security sensors (wireless passive infrared motion sensor, wireless smoke sensor, wireless CO detector, wireless flood sensor), the alarm system can protect your home from intrusion, smoldering fire, carbon monoxide leakage, basement flooding.



Distributed by;
DSM Engineering Ltd
dsmengltd@gmail.com
+63(0)9177015967



PREMIUM WIRELESS HOME SECURITY

Introducing the APG Solutions Smart Security System. The modern, stylish Main Unit is the 'brain' of the system & is completely modular to allow for any combination of 30 different sensors to be used. The Main Unit comes complete with a Solar Powered Siren & Strobe to provide audible & visual alarms during an event. The system also comes with a smart phone app that will automatically notify you in the event of any alarms whilst you are away from your home / business. Below are the list of sensors that come as standard with the system, although there are many more accessories available – contact us today for more information.



SMART SECURITY SYSTEM MAIN UNIT

- AC 100v – 240v Mains Powered
- Wifi + GMS (Sim Card) Connections
- 'The Brain' of the system – controls up to 30 sensors
- RFID, Keyfob or Passcode for Arm / dis-Arm
- Free Android & iOS Cellphone / Tablet App
- Notifications via Push control to App or via SMS
- Wirelessly connects to all compactable sensors



SOLAR / WIRELESS SIREN / STROBE UNIT (OUTDOOR)

- Solar Powered with back up battery NI-MH
- Wireless Connection to Main unit ~ 100m Range
- 120db Siren + Strobe High Intensity Discharge LED's
- Anti-Tampering Protection
- IP66 All Weather Enclosure
- Completely wireless solution
- 100m working range from Main Unit



SOLAR / WIRELESS LITE-BEAM (OUTDOOR)

- Solar Powered with 30 day back-up battery Lithium-Ion
- Wireless Connection to Main unit ~ 100m Range
- Point to Point Perimeter / Boundary LiteBeam
- Dual Active Infra Red Beam Technology
- All Weather Enclosure
- Completely wireless solution
- 30m Detection Range
- Inclusive of Mounting Brackets





PREMIUM WIRELESS HOME SECURITY



PASSIVE INFRA-RED MOTION SENSOR

- Wireless PIR Motion Sensor for connection to Main Unit
- Wide Angle Detection Zone
- Working Range = 100 degrees (12m x 12m)
- Operating Frequency = 433 MHz
- Anti-Tampering Protection & Low Voltage Warning
- Powered by 2 x AA Batteries



WIRELESS MAGNETIC DOOR / WINDOW CONTACTS

- Wireless Magnetic Contact Set for connection to Main Unit
- Powered by 1 x AAA Battery, with 2 years life.
- Operating Frequency = 433 MHz / 100m Range
- Discreet Design for internal Mounting to Door or Window
- Anti-Tampering Protection & Low Voltage Warning



WIRELESS SMOKE & HEAT DETECTOR

- Wireless Smoke & Heat Detector for connection to Main Unit
- Powered by 1 x 9V Battery, 2 Years Life
- Operating Frequency = 433 MHz / 100m Working Range
- 20 Square Meter Detection Area
- Built-in 95db Siren & LED Flash



WIRELESS VIBRATION SENSOR

- Wireless Vibration Sensor for connection to Main Unit
- Mechanical Shock Detection with Anti / False Alarm
- Operating Frequency = 433 MHz / 100m Working Range
- 3 Preset Sensitivity Levels



WIRELESS GAS LEAK SENSOR

- Wireless Gas Leak Detector for connection to Main Unit
- Requires Mains Power for detection
- Built-in 95db Siren & LED Flash
- Operating Frequency = 433 MHz / 100m Working Range
- Species Detection : Natural Gas / LPG.



WIRELESS FLOOD SENSOR

- Wireless Vibration Sensor for connection to Main Unit
- Mechanical Shock Detection with Anti / False Alarm
- Operating Frequency = 433 MHz / 100m Working Range
- 3 Preset Sensitivity Levels



PREMIUM WIRELESS HOME SECURITY - LITEBEAM®

AWESOME FEATURES

Solar-powered photoelectric beam detectors requiring no trenching or wiring, they are the best for perimeter security system



ECO-FRIENDLY

Clean solar energy pay zero fee on electricity bill, it's maintenance-free



WIRELESS

Built-in 433MHz wireless module to work with wireless alarm panels/smart cameras



LONG DISTANCE

Dual Infrared beam can travel a long distance up to 100 meters, using 4 pairs can cover the entire premises.



BUILT-IN BATTERY

Built-in Lithium battery supply power last 30 days, continuously working when encounter cloudy/raining days



WEATHERPROOF

IP65 weatherproof design withstand dust, rain, frost, snow



EASY TO INSTALL

Including bracket for easy surface mount installation, "I" and "L" type stainless steel stand are optional for flexible installation.



HOW IT WORKS

Sensor photoelectric beam sensor products utilize mature active Infrared technology



Photoelectric beam sensor usually consists of a transmitter and a receiver. Both parts have optical lens to help Infrared can travel a long range. When photoelectric beam sensor works, the transmitter continuously emitting Infrared beam after travel a long distance to reach the receiver. An invisible fence will be formed between transmitter and receiver, so that can be used to detect moving objects.

BENEFITS OF PHOTOELECTRIC BEAM

- ✓ Photoelectric beam are easily to install, effective against burglary or entry, suitable for variety outdoor perimeter security applications.
- ✓ Using multiple beams only set off alarm when all of them are interrupted simultaneously, immune to moving tree branches, flying birds, animals.
- ✓ As opposed to other types of sensors for security, photoelectric beam can guard/protect a large area up to 300 meters, no blind spots.
- ✓ Invisible Infrared, modern & beautiful, durable, low-cost product for perimeter protection.

Distributed by;
DSM Engineering Ltd
dsmengltd@gmail.com
+63(0)9177015967



PREMIUM WIRELESS HOME SECURITY - LIVE-DOOR®



WIRELESS DOORBELL SYSTEM – ANSWER EVEN IF YOUR OUT...



HD 720P

Shooting 1280x720 resolution video by employing a 1MP CMOS sensor, image quality is better than 720p AHD/TVI/CVI cameras



DAY&NIGHT

Keep an eye on things even in the dark. Up to 10 meters IR range, Smart-IR to capture people's face.



WIDE VIEWING ANGLE

2MP HD IR lens, focal length 1.8mm, can capture ultra wide viewing angle video, never miss a thing outside the door.



64G RECORDING

You can record video and save snapshots on 64G microSD/TF card, can remotely playback video clips on your smartphone and computers.



PIR MOTION DETECTION

Leveraging passive Infrared motion detection technology only detects moving people, no worry on false detection. Enable/disable detection on smartphone App.



PUSH NOTIFICATION

Send you push notification alert when you have a visitor, or someone is loitering around your house. You can receive email with snapshots too.



2-WAY VOICE TALK

Hold to talk with your visitors remotely through smartphone app, monitoring outside sound clearly to make your living more convenient and safe.



APP&SOFTWARE

Using most rated free App - Yoosee, you are able to use it on smartphone and tablets no matter it's an Android or iOS system, free CMSClient PC software for Windows OS.

Distributed by;
DSM Engineering Ltd
dsmengltd@gmail.com
+63(0)9177015967

PREMIUM WIRELESS HOME SECURITY - LIVE-DOOR®



- Image sensor: 1/4" Progressive Scan CMOS SC1045
- Main processor: Hisilicon Hi3518E
- Video resolution: 1280x720p 25fps
- Lens angle: 1.8mm; >= 120°
- Video compression: H.264 High Profile
- Detection: PIR-based, Video-based
- Infrared range: <= 5 meters
- Audio I/O: microphone and speaker
- Audio codec: G.711ALAW
- System security: ID & password
- Local storage: built-in 8G TF card (max. 64G)
- PNP: peer to peer smartlink setup
- Network: IEEE802.11 b/g/n 2.4G; 10/100Mbps RJ45
- Wireless: ASK eV1527, 433.92MHz
- Recording mode: manual, 24hours, motion/alarm
- Alarm: send push notification to 5 users
- Installation: wall-bracket
- Weatherproof: IP55
- Power supply: DC12V 1A



BRAVO - PREMIUM FABRIC SUNSCREENS



IMPORTED ALUMINIUM PREMIUM FABRIC SUN SCREENS

APG Security's newest product line - the BRAVO Sun Shade. A lightweight, strong motorized sun screen suitable for both interior & exterior installation & allows you to determine the amount of sunlight you allow in to a room. The Sun Shade also offers a high level of privacy as well as an additional layer of security.

- Low Profile Aluminium Top Box - Powder Coated
- Strong & Light Aluminium Powder Coated Guide Rails
- Powder Coated Aluminium Retained Bottom Rail
- High Quality Motor with wireless remote & smooth, quick operation
- Premium Fabric - water resistant & UV resilient
- Fabric is a Polyester blend & is available in a range of colours & transparencies
- Rails are available in a range of standard colours - White / Grey / Beige
- Aluminium parts can be Powder Coated any colour on request
- Available now, contact us today for more information

Distributed by;
DSM Engineering Ltd
dsmengltd@gmail.com
+63(0)9177015967



DECOY™

APG SOLUTIONS | **OUTDOOR LIFESTYLE**
BUILDING A BETTER STANDARD OF LIVING

MOTORIZED RETRACTABLE SUN SHADE AWNINGS

Imported & Professionally Installed by APG Solutions

- Add Style to your home & shade from rain or shine with our motorized awnings
- European Style product – CE& TUV Rated Automatic Motorized Function with remote.
- Available in a wide range of colours & fabric styles – fabric is imported and UV rated.
- Professionally installed by trained workmen, certified installers – 1yr guarantee
- Available in standard Widths 2m, 2.5m, & 3m with an opening span of 2m & 2.5m
- Opening Angle can be manually adjusted to cater for to your surroundings
- Aluminum 6063 arms, will not rust or corrode, even in heavy rains or in coastal areas
- Factory Powder Painted Heavy Duty Mounting Brackets & Anchor Bolts for installation
- Motorized Operation – no need to manually open / close– ideal for OAP's or PWD's



Distributed by;
DSM Engineering Ltd
dsmengltd@gmail.com
+63(0)9177015967



PREMIUM QUALITY COMPONENTS

SUPERIOR QUALITY TUBULAR MOTORS

DOOYA[®]
TUBULAR MOTOR

Smart Home

All APG Shutters Sun Screens & Awnings come with DOOYA Motors
We use only SUPERIOR Parts in our shutters & awnings.

- APG Solutions use only Tubular Motors supplied by DOOYA – a trusted brand.
- DOOYA motors are reliable & safe – CCC, CE and TUV certified motors.
- Quiet & Safe Operation, all motors are water resistant & operate in hi temps
- Each motor comes installed by our trained electrical installers
- We supply all awnings & shutters with a wireless remote control
- No need for a hard wired switch or receiver.
- Each DOOYA motor can be connected to your home automation system.

CONTACT APG SOLUTIONS TODAY FOR MORE INFORMATION

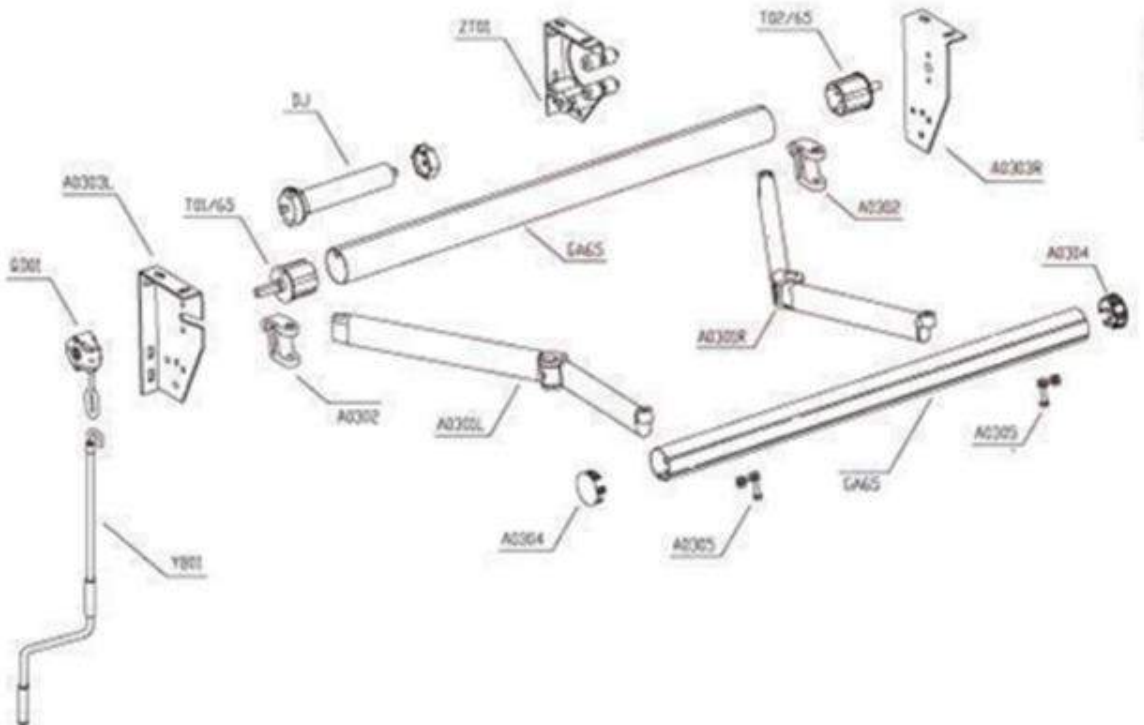


Distributed by;
DSM Engineering Ltd
dsmengltd@gmail.com
+63(0)9177015967

PREMIUM FABRIC AWNINGS - COLOUR CHART



PREMIUM FABRIC AWNINGS - EXPLODED VIEW

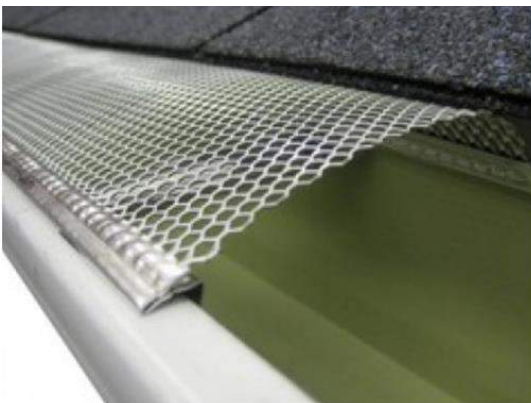


Distributed by;
DSM Engineering Ltd
 dsmengltd@gmail.com
 +63(0)9177015967

**GUTTER-TEC® - PREMIUM MESH GUTTER PROTECTION****POWDER COATED ALUMINIUM MESH GUTTER PROTECTION**

The APG Solutions GUTTER-TEC® guard is an expanded Aluminium mesh, powder coated in a neutral colour or it can be colour-matched to your specific roof. It is suitable for tiled, shingled or metal roofing and protects your gutters from leaves, embers, rodents, insects or any foreign objects from blocking your gutters & downspouts – whilst not preventing the flow of water in to the gutter thus leaving your gutters completely maintenance free & secure.

- High Quality Powder Coated Expanded Aluminium – will not rust !
- Prevents debris, leaves, embers, insects & rodents from accessing your roof space
- Low Maintenance – unprotected gutters require periodical cleaning & clearing
- Improve Water Quality – if you are harvesting rain water for any purpose.



Distributed by;
DSM Engineering Ltd
dsmengltd@gmail.com
+63(0)9177015967

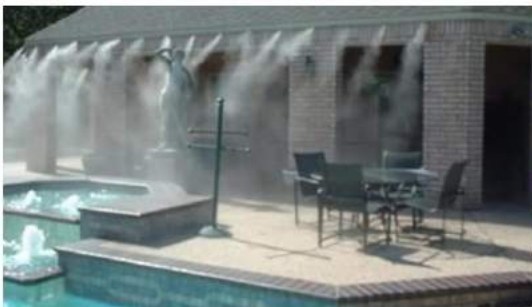
HYDRATOR - PREMIUM MISTING SYSTEMS



LOW & MEDIUM PRESSURE PATIO MISTING SYSTEMS

Now available in the Philippines, a safe, reliable outdoor misting system suitable for your home or garden. When combined with our safe filtration system you can connect the mister directly to your garden hose or home water supply to keep you cool in the hottest of weather. We professionally install the misting tubes, valves & spray heads to provide you the maximum amount of comfort in your chosen location. Ideal for your patio, gazebo, terrace, lanai or pet areas or even attach to awnings & umbrellas. Contact us today for more information on this great product.

- High Quality UV treated Micro Pipe, extremely discreet & professionally installed
- Stainless Steel Misting Heads which can be adjusted to suit your needs
- In-line filtration of supply water to remove any spores - replacement filters in stock
- Can connect to city water, mains supply or simply attach to outdoor garden tap
- Works best with water pressure between 40 - 100 psi.
- 5 Micron In-line filter removes spores, odours and prevents mould build up



Distributed by;
DSM Engineering Ltd
dsmengltd@gmail.com
+63(0)9177015967