

THREE-PHASE STATIC ELECTRICITY METERS DTS-353 L4

Scope: Electricity meters **DTS-353 L4** are simple and precise three-phase meters for active energy measurement. Using internal battery allows displaying of measured energy on LCD also without connected power supply.

They are designed for secondary measurements of various appliances, offices and premises. Electricity meter does not comply with requirements of EC Directive 2004/22/EC (MID) and therefore it cannot be used for the measurement related to the payment (billing measurement)

Description: The meters are produced in 4-module cases (4M). They are equipped with impulse switching output with the open collector, which is transmitted to the terminals 20 and 21. Impulse output blinking frequency is proportional to measured energy.

LED A, B, C indicate energy consumption in individual phases: A = L1, B = L2, C = L3.

Highlights

- Easy assembly
- Simple connection and operation
- High accuracy

Technical data

| | |
|--|--|
| Precision class | 1 |
| Reference voltage [V] | 3 x 230/400 |
| Current range [A] | 10 (80) |
| Reference frequency [Hz] | 50 |
| Connection | direct |
| Data display | LCD |
| Number of displayed digits | 7+1 |
| Starting current [A] | $\leq 0,004 I_b$ |
| Power consumption | $\leq 2W$ |
| Meter constant [imp/kWh] | 800 |
| Impulse constant output [imp/kWh] | 800 |
| Standard | EN61010-1(LVD directive), EN61326-1(EMC directive) |
| EMC environment* | protected (level 2) |
| Weight [g] | 370 |

* According to EN61000-4-4

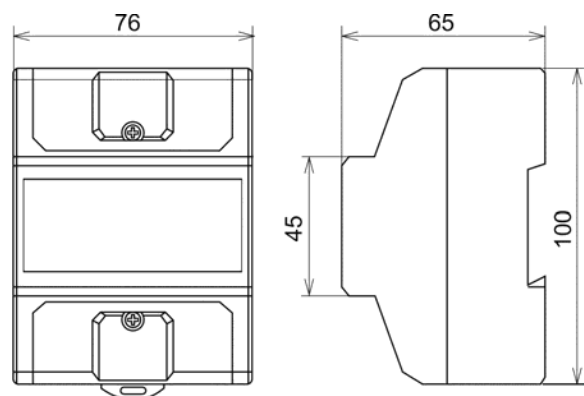
- partial suppression of EFT/B (Electrical fast transient / Burst) in the power supply (1 kV) and control circuit (0,5 kV), which are switched only by relays (no contactors)
- physical separation of unshielded power supply and communication cables.

According to EN61000-4-5

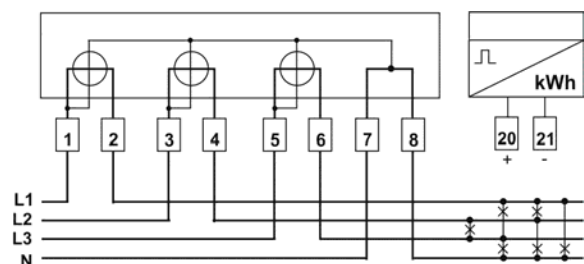
- cables are well separated, even at short runs. Surge voltages may not exceed 1 kV.



Dimensions



Connection diagram



Ordering data

- Meter type
- Number of units