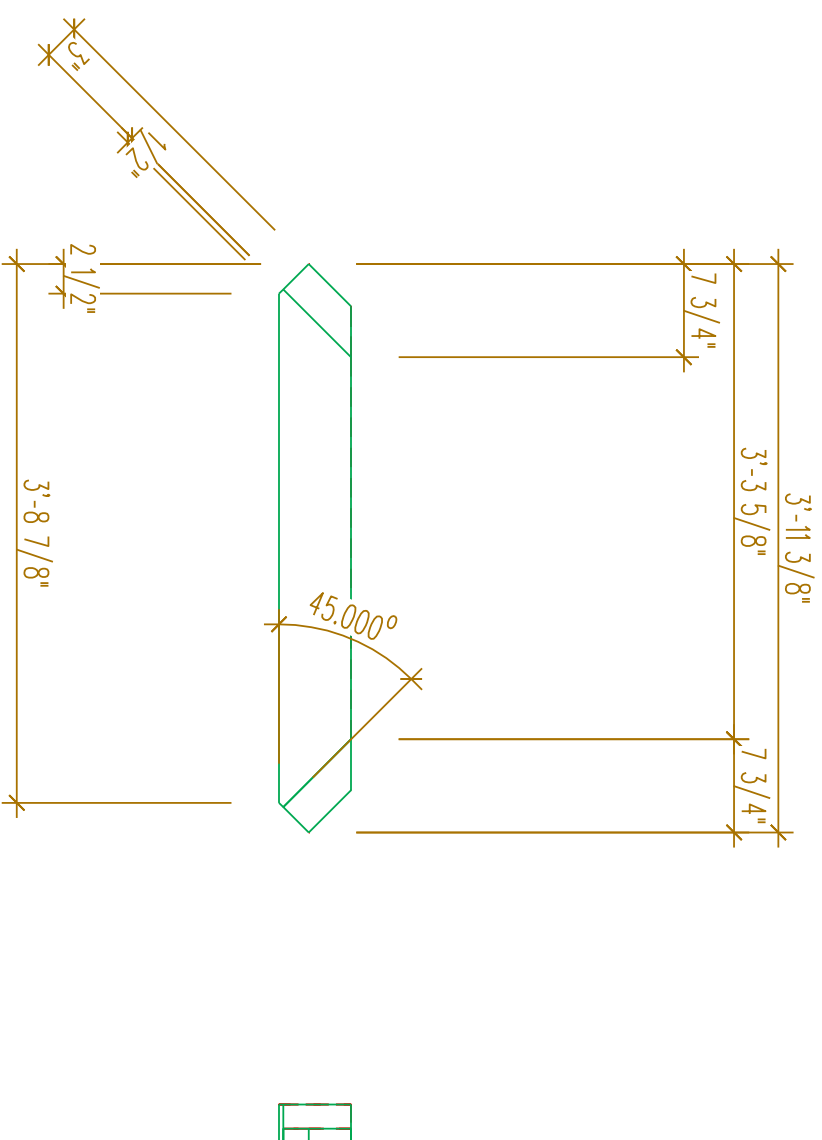
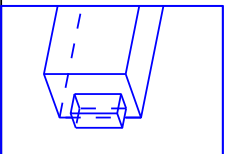


# Prod: 2



## Tenon unsym. + offcenter (tenon 4)

H32/Fo1_1_1	Rounded
Form	
Direction	Height
Length	3"
Over length	0"
Width	2"
Over length mortise	0"
o bore	0"
Distance front bore	0"
Drilling scarf joint	0"
Pos. offset	0"
Neg. offset	0"
Centered	1"



# 30B

Project name: :  
Project number: :  
Architect: :  
Customer: :

Description: :  
Delivery Term: :  
Comment: :

Group: :  
Sub Group: :  
Nb.Prod.List: 2  
Nb.Timberlist: 0

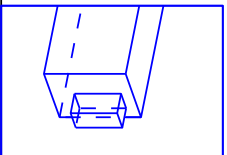
X-Section: 4"6"  
Length: 3'-11 3/8"  
Material: SYP-2  
Name of 3d file: Cama

# Qty:64

## Sc.: 1:16

## Tenon unsym. + offcenter (tenon 4)

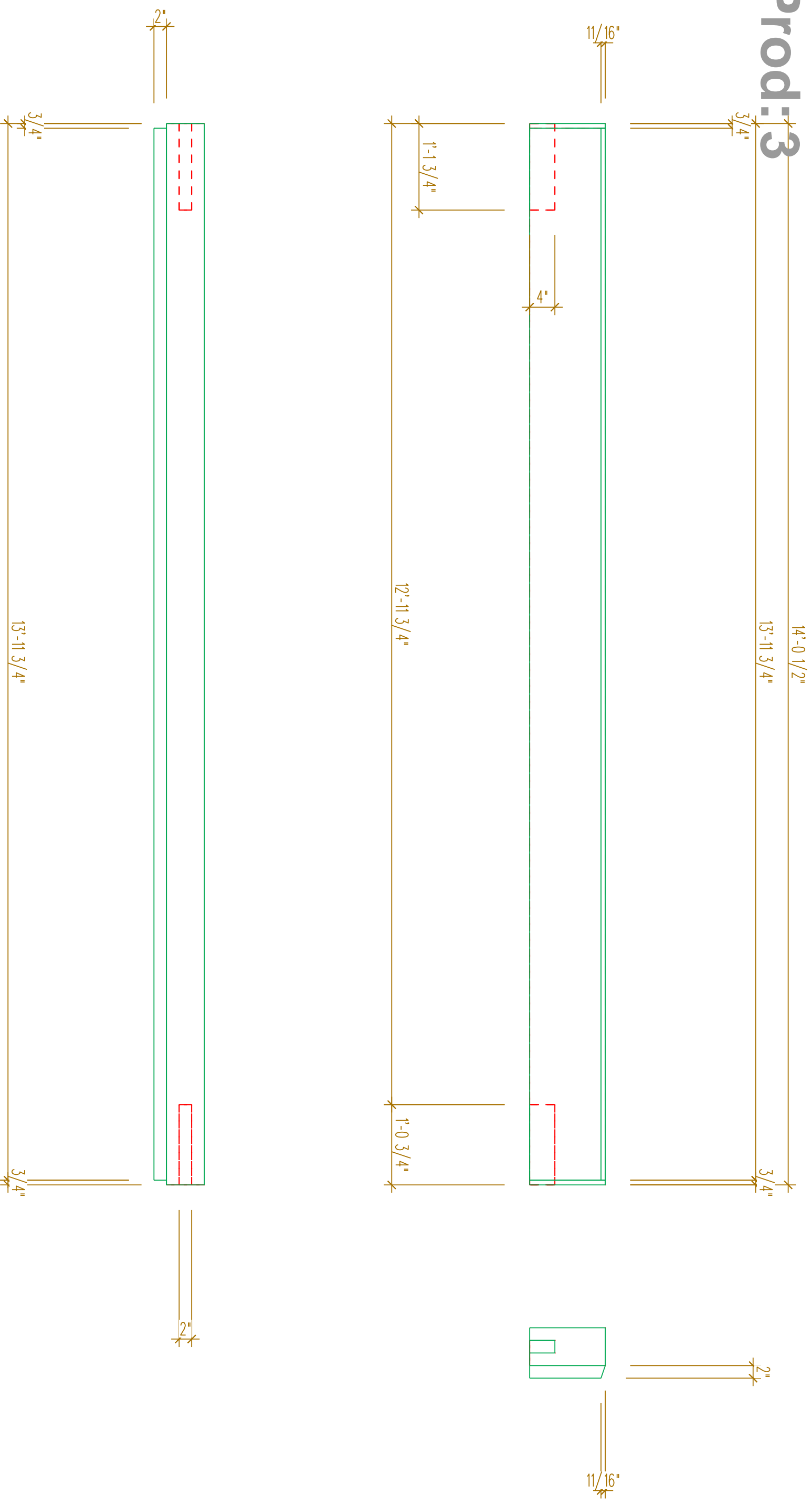
H32/Fo1_1_1	Rounded
Form	
Direction	Height
Length	3"
Over length	0"
Width	2"
Over length mortise	0"
o bore	0"
Distance front bore	0"
Drilling scarf joint	0"
Pos. offset	0"
Neg. offset	0"
Centered	1"



DW Timber Frame Design  
Timber & SIP Design Specialist

Tel. 603.852.8251  
[www.timberframedesign.net](http://www.timberframedesign.net)

# Prod:3



# CG

Project name: :  
Project number: :  
Architect: :  
Customer: :

Description: :  
Delivery Term: :  
Comment: :

Groupe: **joist plan**  
Sub Group: :  
Nb.Prod.List: **3**  
Nb.Timberlist: **0**

X-Section: **8"1'-0"**  
Length: **14'-0 1/2"**  
Material: **SYP-2**  
Name of 3d file: **Cama**

# Qty:2

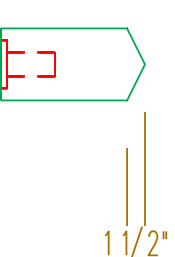
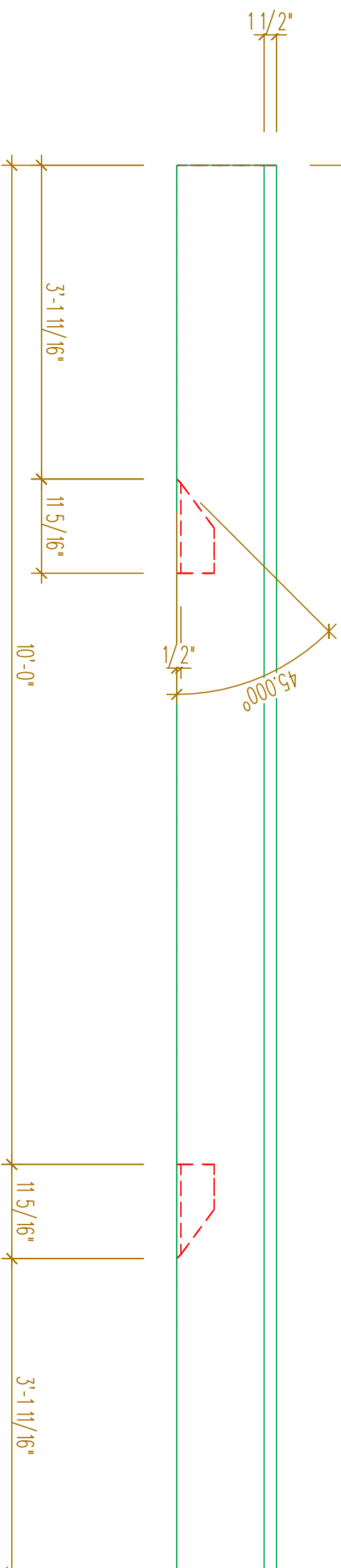
# Sc.: 1:16

DW Timber Frame Design  
Timber & SIP Design Specialist

Tel. 603.852.8251  
[www.timberframedesign.net](http://www.timberframedesign.net)

# Prod: 4

14'-1"



# RPN

# Qty: 1

Project name: :  
Project number: :  
Architect: :  
Customer: :

Description: :  
Delivery Term: :  
Comment: :

Group: : **joist plan**  
Sub Group: :  
Nb.Prod.List: **4**  
Nb.Timberlist: **0**

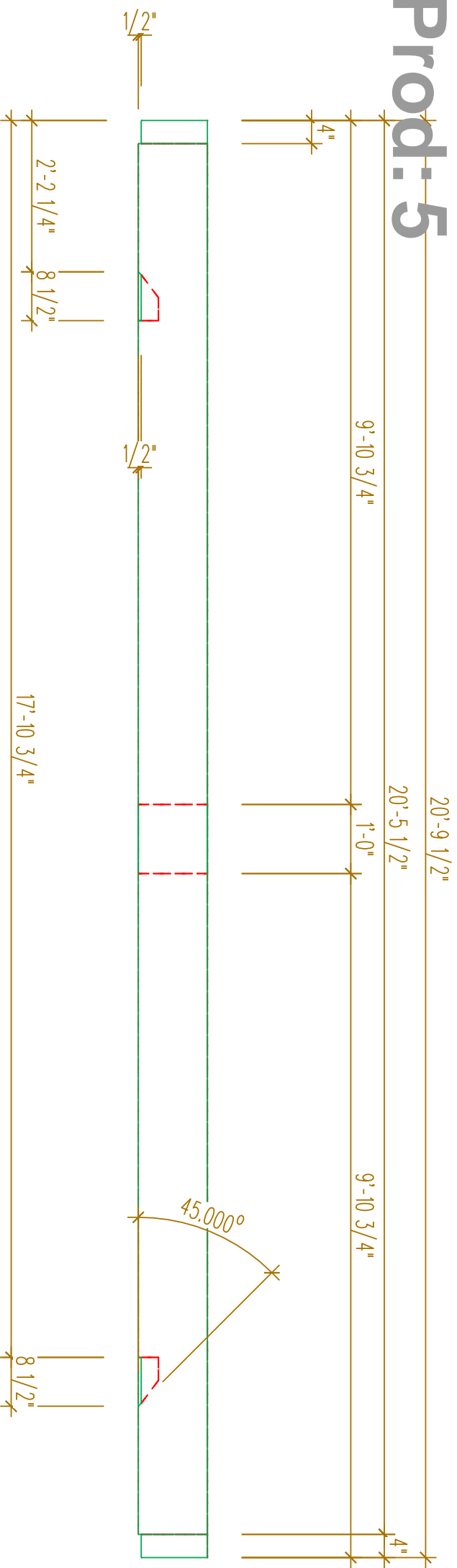
X-Section: **6"/1'-0"**  
Length: **14'-1"**  
Material: **SYP-2**  
Name of 3d file: **Cama**

**Sc.: 1:16**

DW Timber Frame Design  
Timber & SLP Design Specialist

Tel. 603.852.8251  
[www.timberframedesign.net](http://www.timberframedesign.net)

# Prod:5



**Tenon unsym. backcut (tenon 3)**

**H4/2/F-.5**

Form	Square
Direction	Height
Length	4"
Over length	0"
Width	2"
Over length mortise	0"
a bore	0"
Distance front bore	0"
Drilling scarf joint	0"
Pos. offset	1/2"

**Tenon unsym. backcut (tenon 3)**

**H4/2/F-.5**

Form	Square
Direction	Height
Length	4"
Over length	0"
Width	2"
Over length mortise	0"
a bore	0"
Distance front bore	0"
Drilling scarf joint	0"
Pos. offset	1/2"

**GT**

**Qty:1**

Project name: :  
 Project number: :  
 Architect: :  
 Customer: :

Description: :  
 Delivery Term: :  
 Comment: :

Group: **south**  
 Sub Group: :  
 Nb.Prod.List: **5**  
 Nb.Timberlist:**0**

X-Section: **8"1'-0"**  
 Length: **20'-9 1/2"**  
 Material: **SYP-2**  
 Name of 3d file: **Cama**

**Sc.: 1:16**

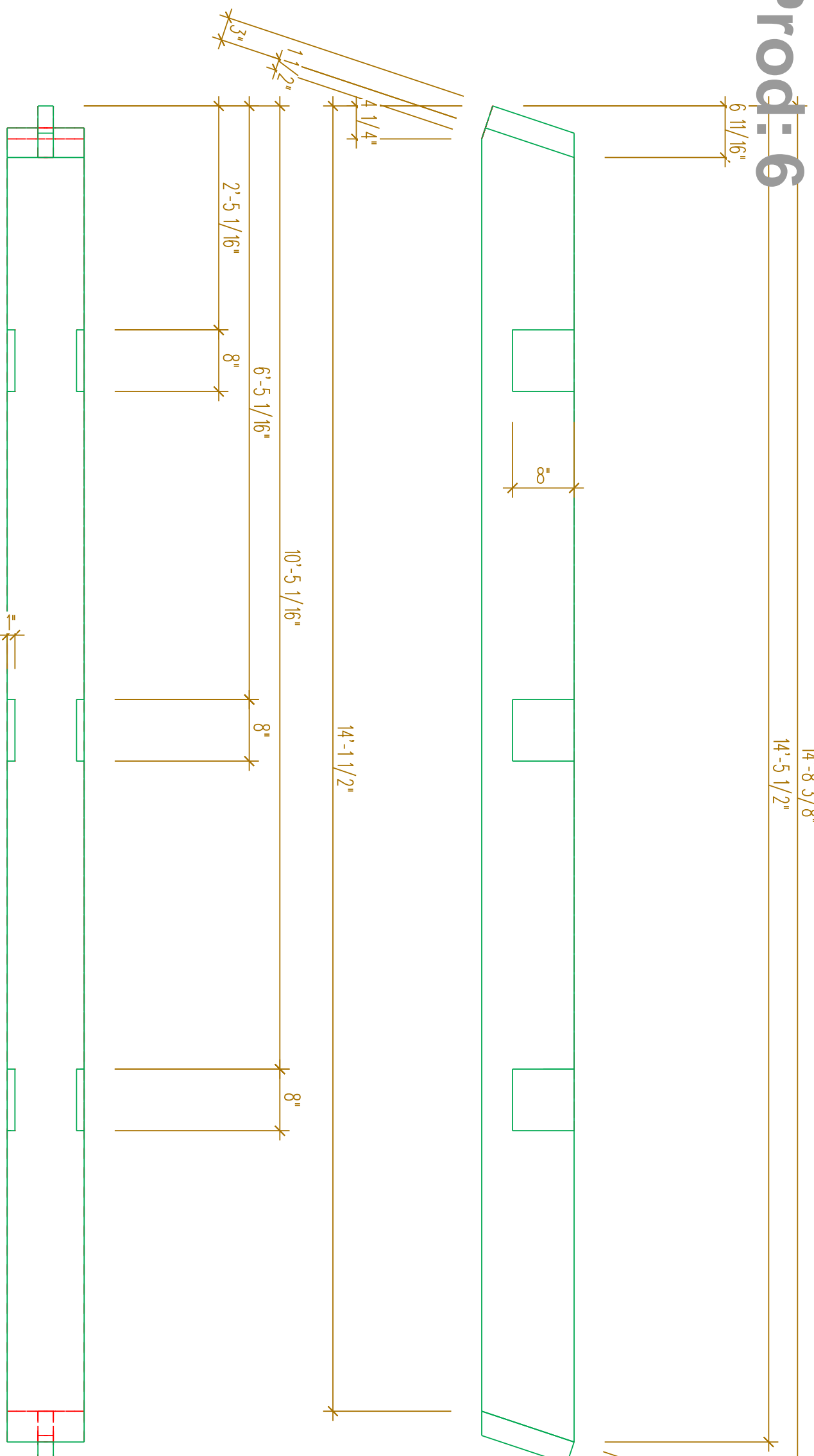
DW Timber Frame Design  
 Timber & SIP Design Specialist

Tel. 603.852.8251  
[www.timberframedesign.net](http://www.timberframedesign.net)

# Prod:6

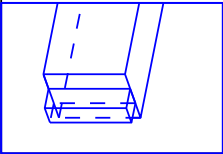
14'-8 3/8"  
14'-5 1/2"

6' 11/16"



## Tenon without backcuts (tenon 1)

H3/2	Form	Square
Direction	3"	Height
Length	0"	Length
Over length	2"	Over length
Width	0"	Width
Over length mortise	0"	Over length mortise
ø bore	0"	ø bore
Distance front bore	0"	Distance front bore
Drilling scarf joint	0"	Drilling scarf joint



# R

Project name: :  
Project number: :  
Architect: :  
Customer: :

Description: :  
Delivery Term: :  
Comment: :

Group: :  
Sub Group: :  
Nb.Prod.List: 6  
Nb.Timberlist: 0

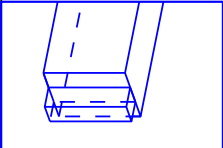
X-Section: 10"/1'-0"  
Length: 14'-8 3/8"  
Material: SYP-2  
Name of 3d file: Cama

# Qty:6

Sc.: 1:16

## Tenon without backcuts (tenon 1)

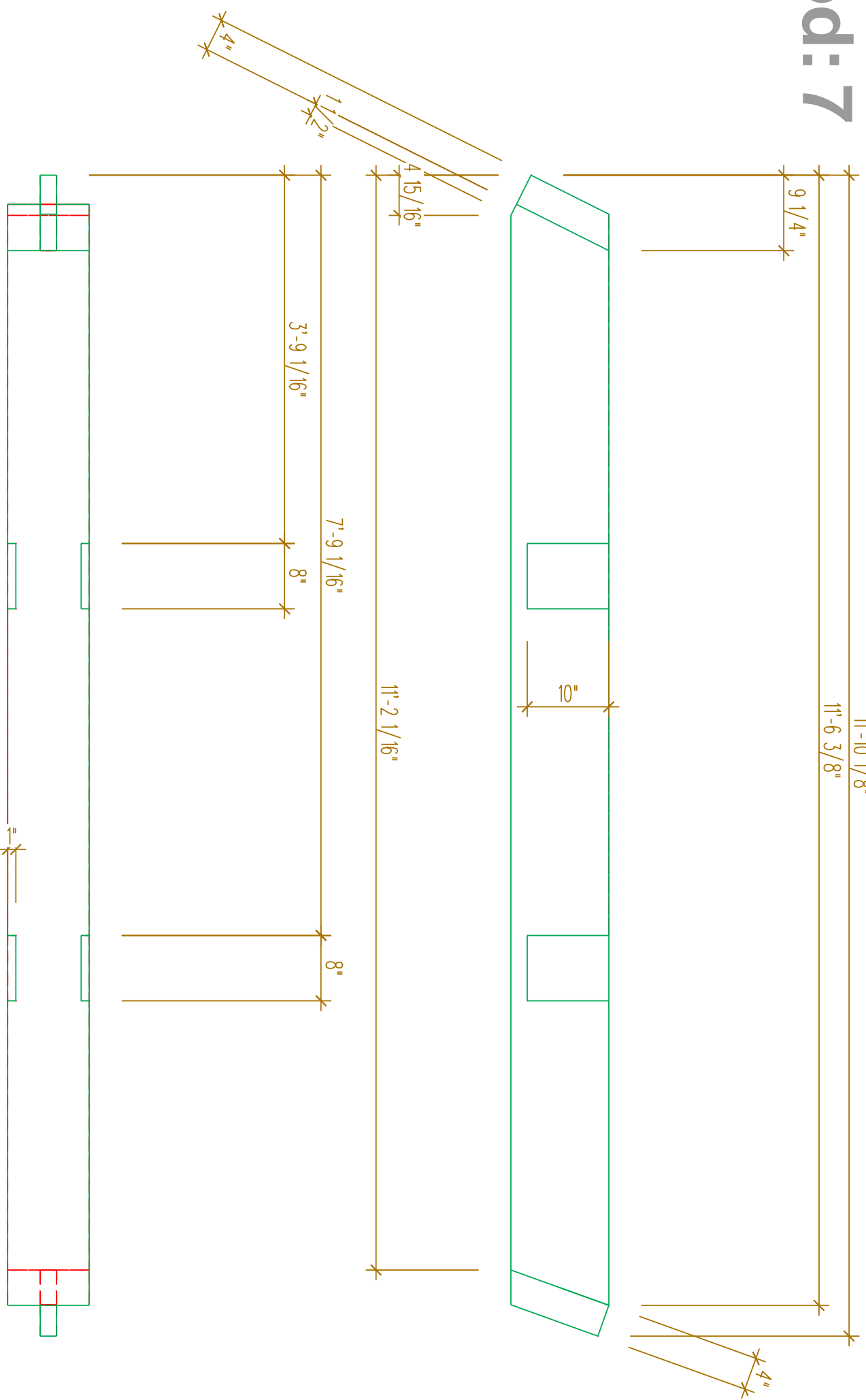
H3/2	Form	Square
Direction	3"	Height
Length	0"	Length
Over length	2"	Over length
Width	0"	Width
Over length mortise	0"	Over length mortise
ø bore	0"	ø bore
Distance front bore	0"	Distance front bore
Drilling scarf joint	0"	Drilling scarf joint



DW Timber Frame Design  
Timber & SIP Design Specialist

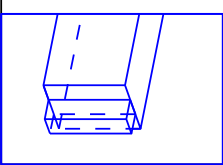
Tel. 603.852.8251  
www.timberframedesign.net

# Prod: 7



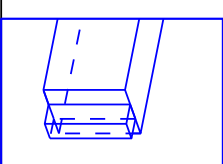
**Tenon without backcuts (tenon 1)**  
**H4.0/2**

Form	Rounded
Direction	Height
Length	4"
Over length	0"
Width	2"
Over length mortise	0"
ø bore	0"
Distance front bore	0"
Drilling scarf joint	0"



**Tenon without backcuts (tenon 1)**  
**H4.0/2**

Form	Rounded
Direction	Height
Length	4"
Over length	0"
Width	2"
Over length mortise	0"
ø bore	0"
Distance front bore	0"
Drilling scarf joint	0"



# R

# Qty:6

Project name: :  
Project number: :  
Architect: :  
Customer: :

Description: :  
Delivery Term: :  
Comment: :

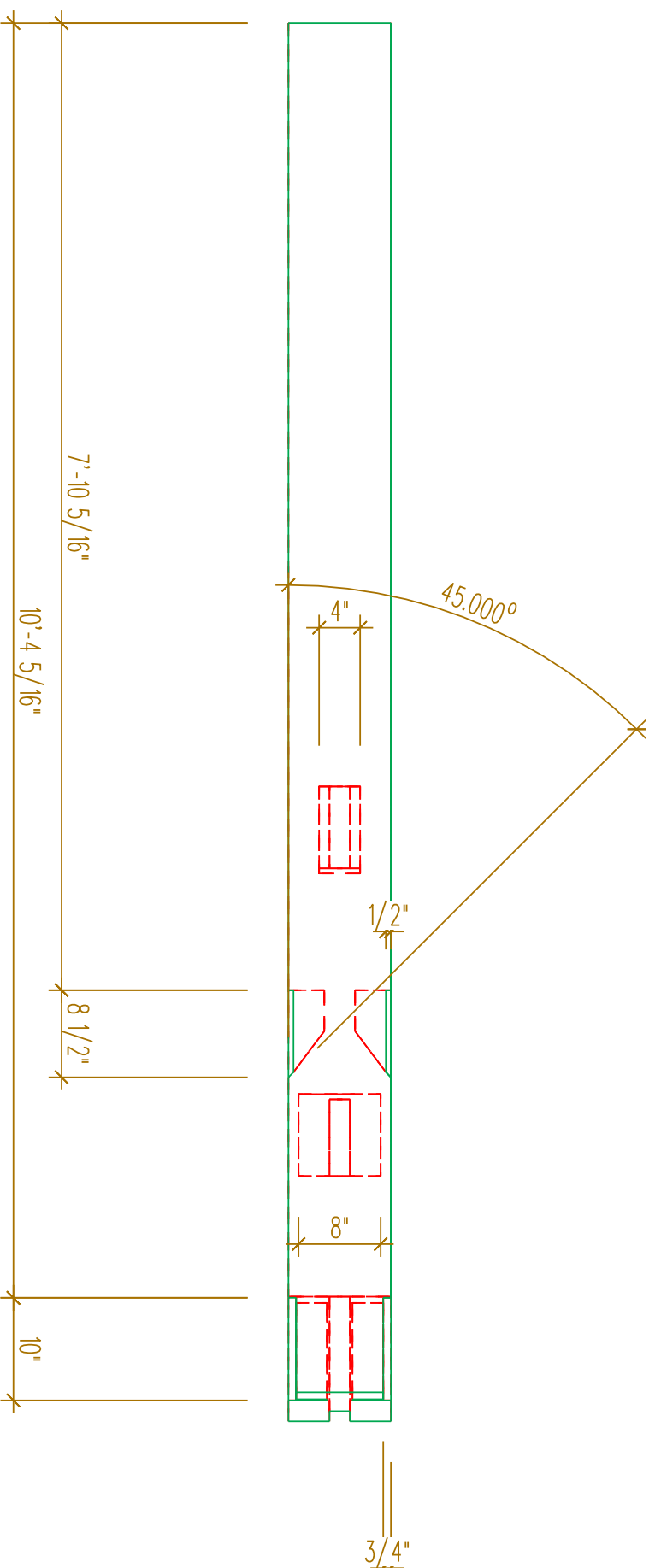
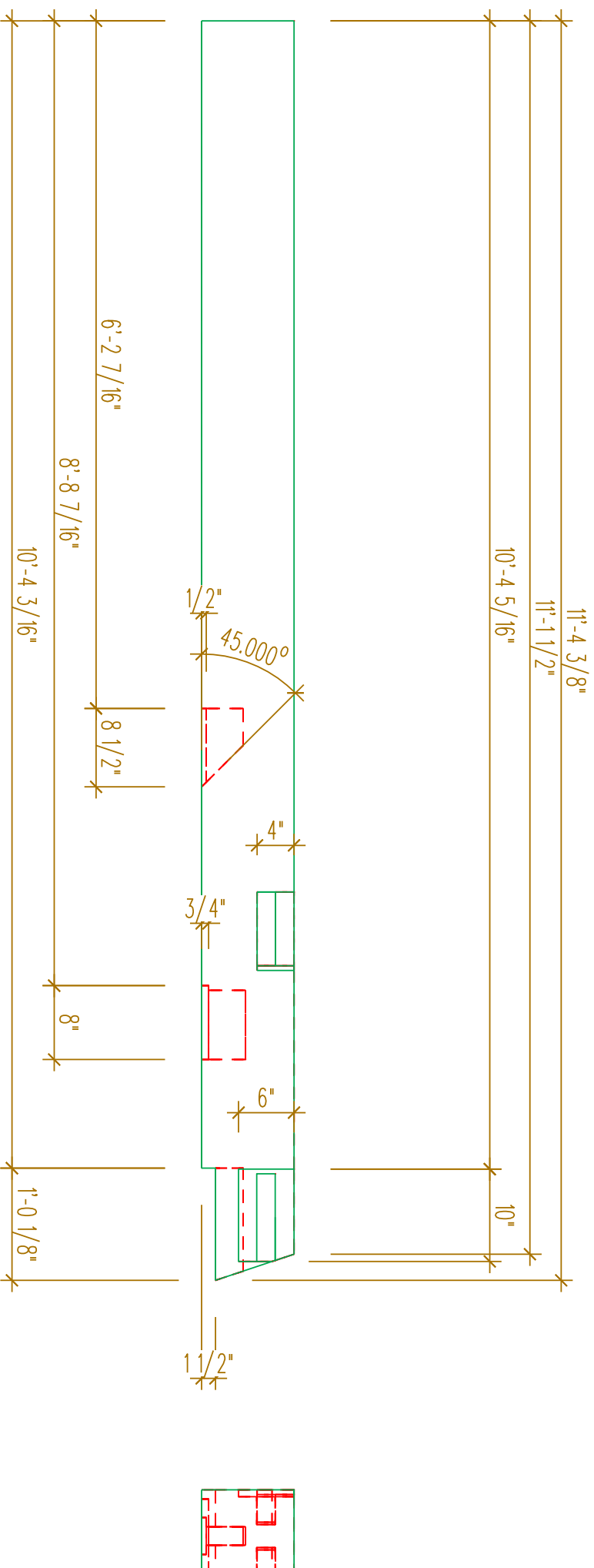
Groupes: :  
Sub Group: :  
Nb.Prod.List: 7  
Nb.Timberlist: 0

X-Section: 10"/1'-0"  
Length: 11'-10 1/8"  
Material: SYP-2  
Name of 3d file: Cama  
Sc.: 1:16

DW Timber Frame Design  
Timber & SIP Design Specialist

Tel. 603.852.8251  
www.timberframedesign.net

# Prod: 1



**P**

Project name: :  
Project number: :  
Architect: :  
Customer: :

Description: :  
Delivery Term: :  
Comment: :

Groupe: :  
Sub Groupe: :  
Nb.Prod.List: 1  
Nb.Timberlist: 0

X-Section: 10"/10"  
Length: 11'-4 3/8"  
Material: SYP-2  
Name of 3d file: Cama

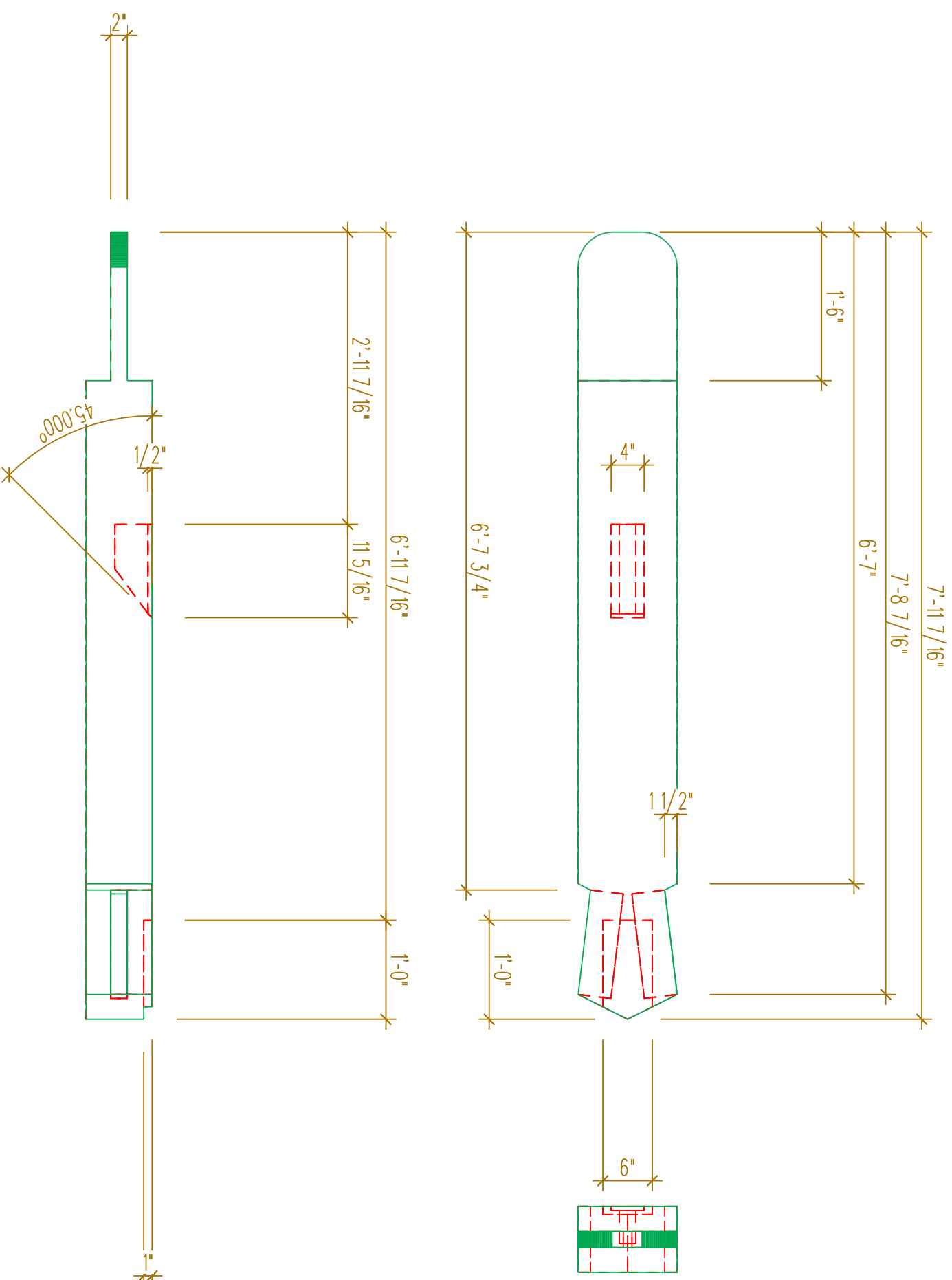
**Qty:3**

**Sc.: 1:16**

DW Timber Frame Design  
Timber & SLP Design Specialist

Tel. 603.852.8251  
[www.timberframedesign.net](http://www.timberframedesign.net)

# Prod: 8



# KPO

Project name: :  
Project number: :  
Architect: :  
Customer: :

Description: :  
Delivery Term: :  
Comment: :

Groupe: :  
Sub Group: :  
Nb.Prod.List: 8  
Nb.Timberlist: 0

X-Section: 8"1'-0"  
Length: 7'-11 7/16"  
Material: SYP-2  
Name of 3d file: Cama

# Qty:1

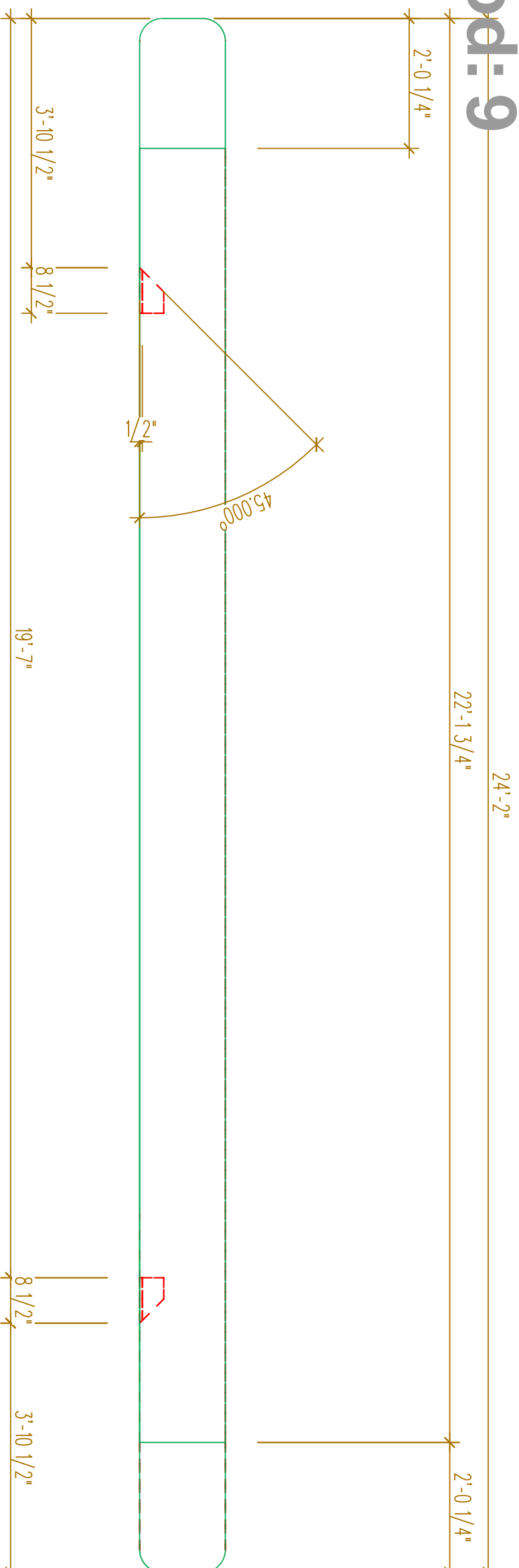
# Sc.: 1:16

DW Timber Frame Design  
Timber & SLP Design Specialist

Tel. 603.852.8251  
[www.timberframedesign.net](http://www.timberframedesign.net)



# Prod: 9



**TB**

**Qty: 1**

Project name: :  
Project number: :  
Architect: :  
Customer: :

Description: :  
Delivery Term: :  
Comment: :

Groupe: :  
Sub Group: :  
Nb.Prod.List: 9  
Nb.Timberlist: 0

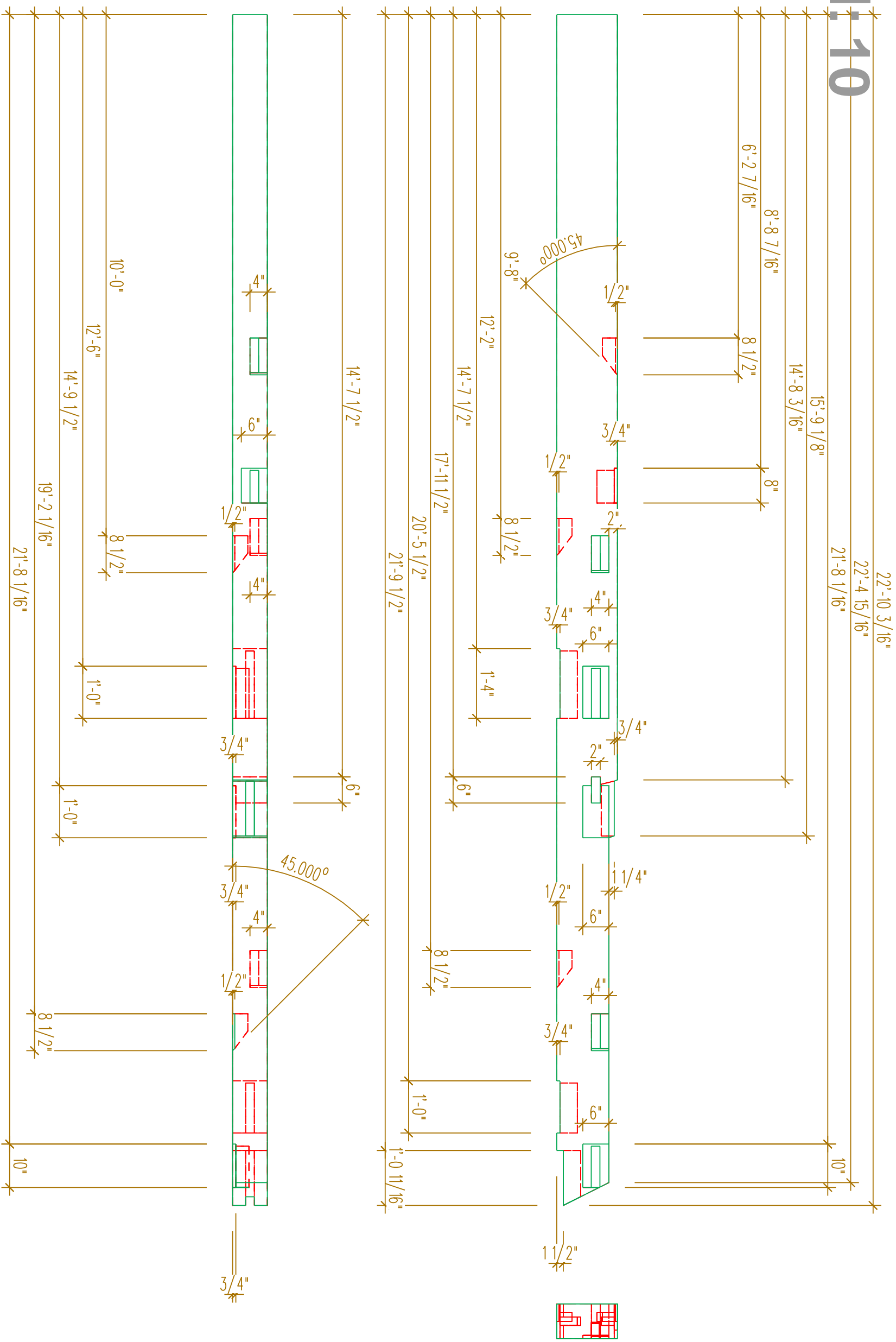
X-Section: 10"/1'-4"  
Length: 24'-2"  
Material: SYP-2  
Name of 3d file: Cama

**Sc.: 1:16**

DW Timber Frame Design  
Timber & SLP Design Specialist

Tel. 603.852.8251  
[www.timberframedesign.net](http://www.timberframedesign.net)

# Prod: 10



**P**

Project name: :  
 Project number: :  
 Architect: :  
 Customer: :

Description: :  
 Delivery Term: :  
 Comment: :

Group: :  
 Sub Group: :  
 Nb.Prod.List: 10  
 Nb.Timberlist: 0

X-Section: 8"1'-2"  
 Length: 22'-10 3/16"  
 Material: SYP-2  
 Name of 3d file: Cama

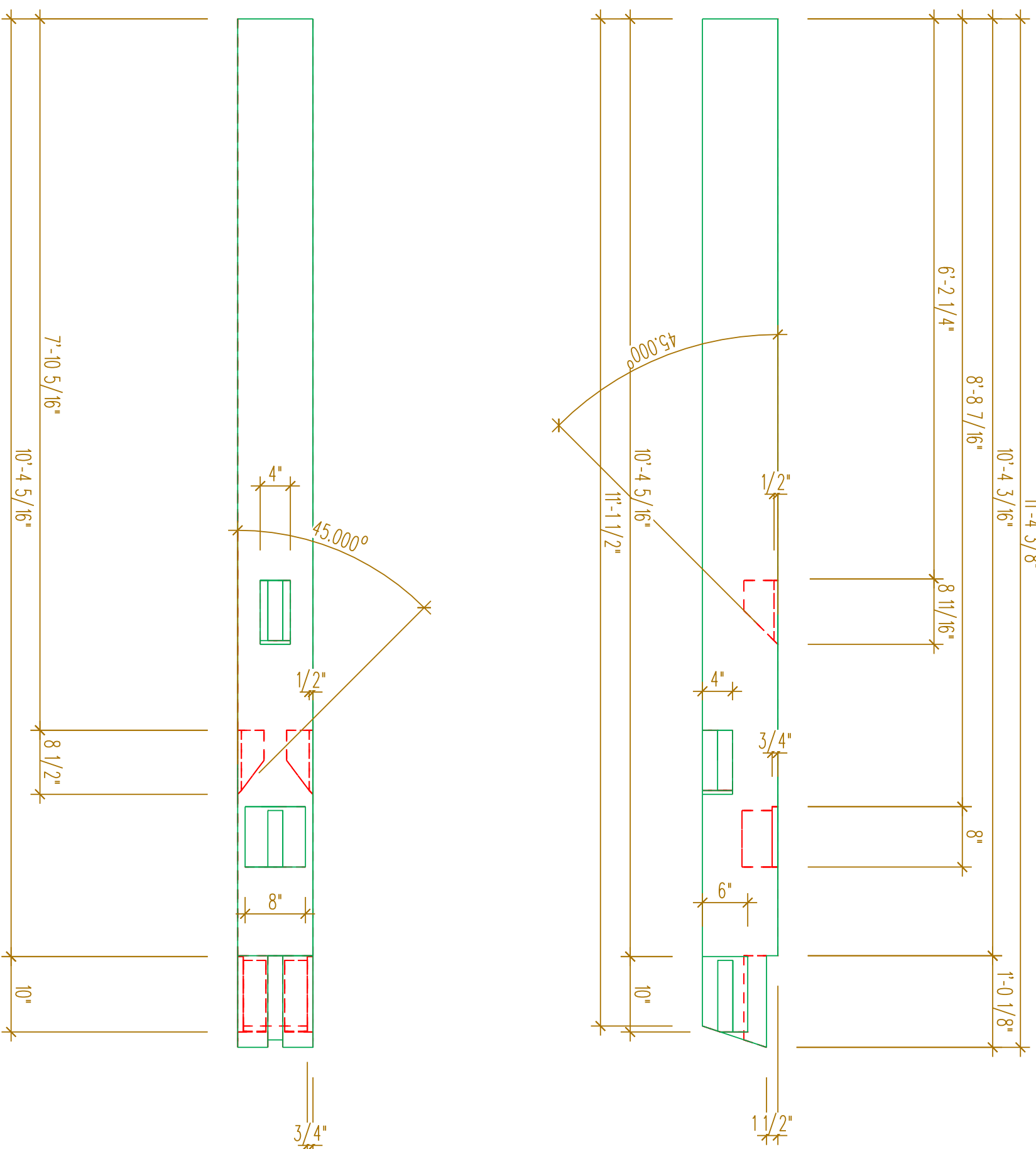
**Qty:1**

**Sc.: 1:16**

DW Timber Frame Design  
 Timber & SIP Design Specialist

Tel. 603.852.8251  
[www.timberframedesign.net](http://www.timberframedesign.net)

# Prod: 11



**P**

Project name: :  
Project number: :  
Architect: :  
Customer: :

Description: :  
Delivery Term: :  
Comment: :

Group: :  
Sub Group: :  
Nb.Prod.List: 11  
Nb.Timberlist: 0

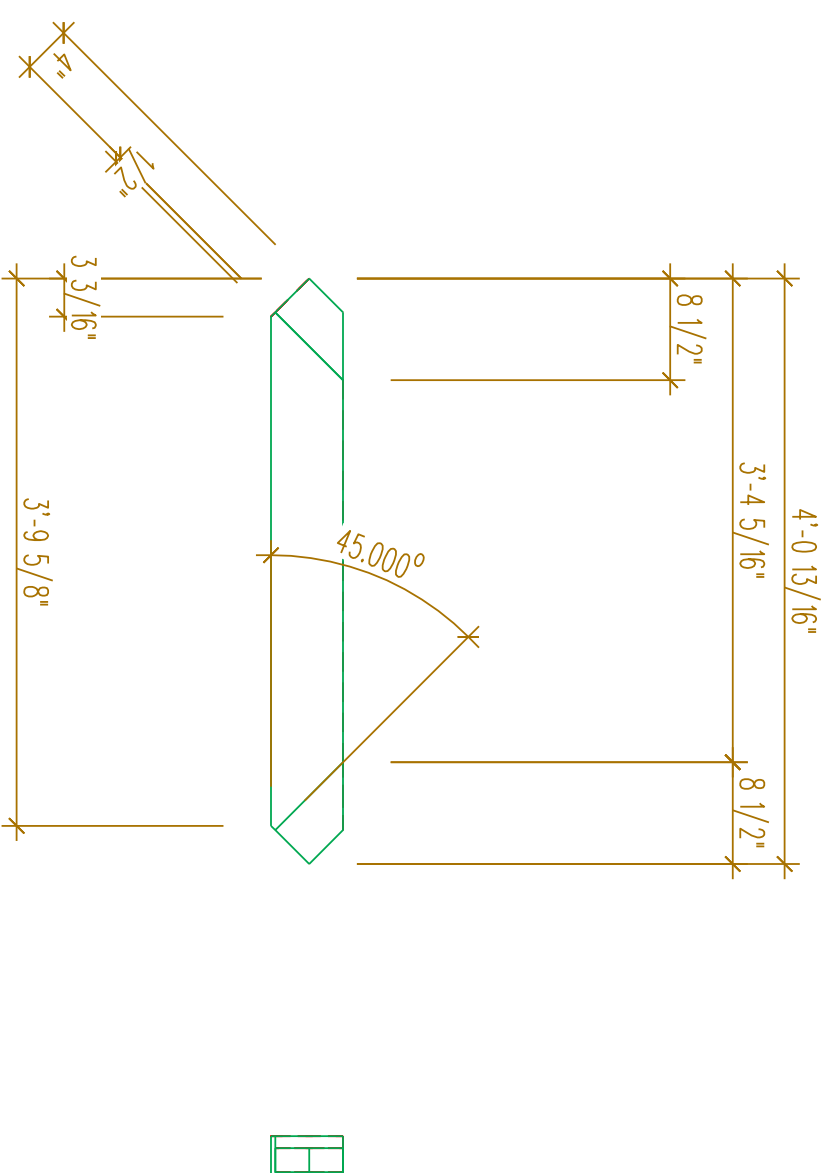
**Qty:3**

X-Section: 10"/10"  
Length: 11'-4 3/8"  
Material: SYP-2  
Name of 3d file: Cama  
**Sc.: 1:16**

DW Timber Frame Design  
Timber & SLP Design Specialist

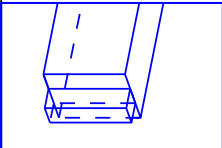
Tel. 603.852.8251  
www.timberframedesign.net

# Prod: 12



## Tenon without backcuts (tenon 1)

Form	Square
Direction	Height
Length	4"
Over length	0"
Width	2"
Over length mortise	0"
ø bore	0"
Distance front bore	0"
Drilling scarf joint	0"



# 30CB

Project name: :  
Project number: :  
Architect: :  
Customer: :

Description: :  
Delivery Term: :  
Comment: :

Groupe: :  
Sub Group: :  
Nb.Prod.List: 12  
Nb.Timberlist: 0

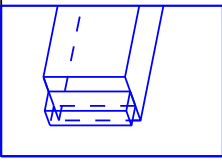
X-Section: 4"6"  
Length: 4'-0 13/16"  
Material: SYP-2  
Name of 3d file: Cama

# Qty:18

# Sc.: 1:16

## Tenon without backcuts (tenon 1)

Form	Square
Direction	Height
Length	4"
Over length	0"
Width	2"
Over length mortise	0"
ø bore	0"
Distance front bore	0"
Drilling scarf joint	0"



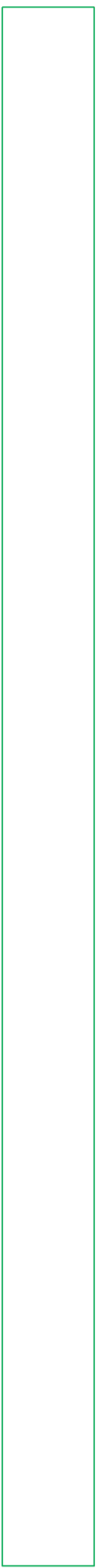
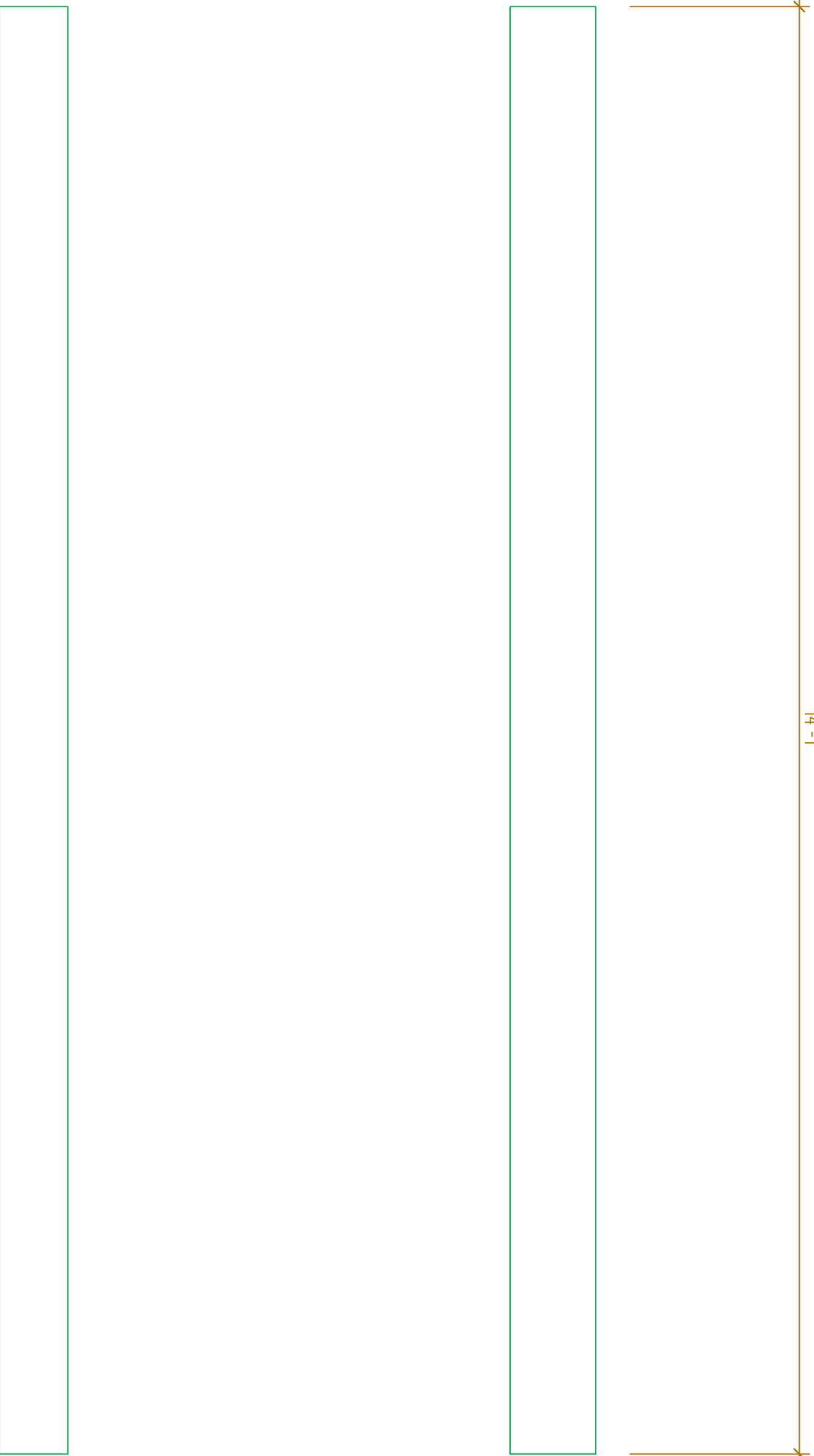
DW Timber Frame Design  
Timber & SIP Design Specialist

Tel. 603.852.8251  
[www.timberframedesign.net](http://www.timberframedesign.net)



# Prod: 14

14'-1"



## PN

## Qty: 8

Project name: :  
Project number: :  
Architect: :  
Customer: :

Description: :  
Delivery Term: :  
Comment: :

Groupe: :  
Sub Group: :  
Nb.Prod.List: 14  
Nb.Timberlist: 0

X-Section: 8"/10"  
Length: 14'-1"  
Material: SYP-2  
Name of 3d file: Cama

**Sc.: 1:16**

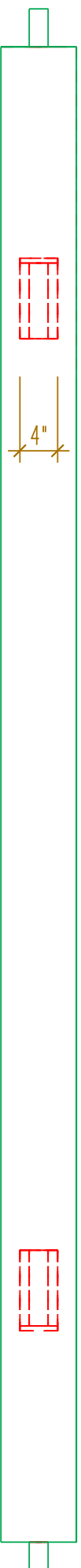
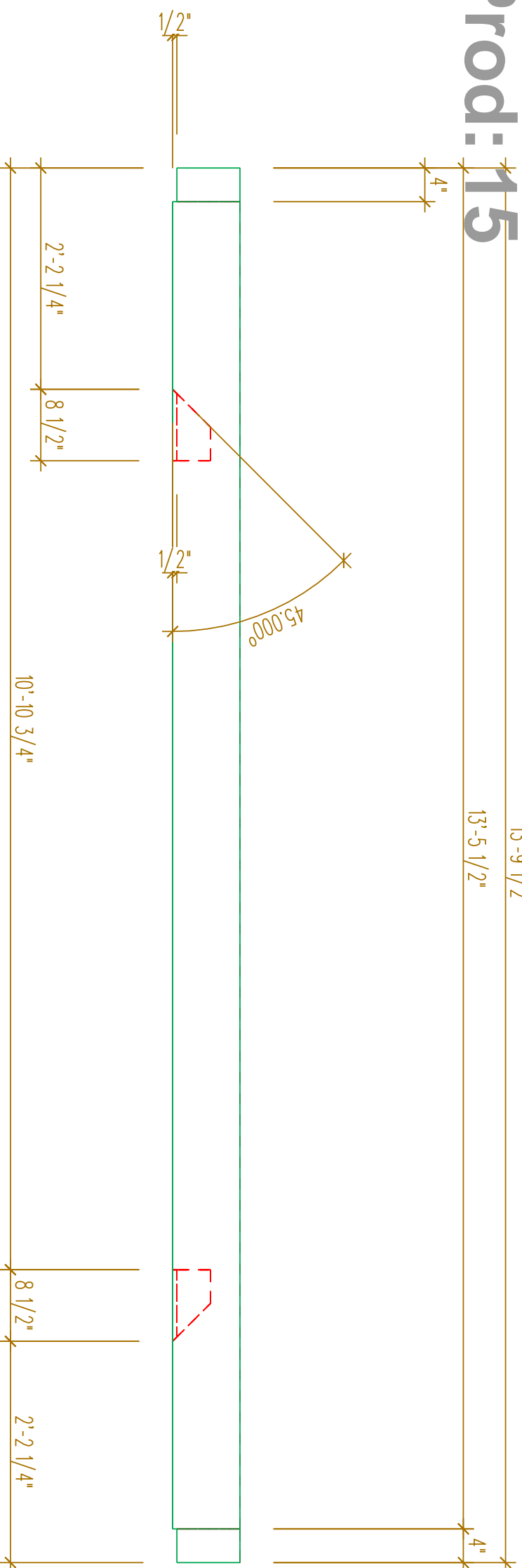
DW Timber Frame Design  
Timber & SIP Design Specialist

Tel. 603.852.8251  
[www.timberframedesign.net](http://www.timberframedesign.net)

# Prod: 15

13'-9 1/2"

13'-5 1/2"



**Tenon unsym. backcut (tenon 3)**

**H4/2/F-.5**

Form	Square
Direction	Height
Length	4"
Over length	0"
Width	2"
Over length mortise a bore	0"
Distance front bore	0"
Drilling scarf joint	0"
Pos. offset	1/2"

**Tenon unsym. backcut (tenon 3)**

**H4/2/F-.5**

Form	Square
Direction	Height
Length	4"
Over length	0"
Width	2"
Over length mortise a bore	0"
Distance front bore	0"
Drilling scarf joint	0"
Pos. offset	1/2"

# BT

# Qty: 6

Project name: :  
Project number: :  
Architect: :  
Customer: :

Description: :  
Delivery Term: :  
Comment: :

Group: :  
Sub Group: :  
Nb.Prod.List: 15  
Nb.Timberlist: 0

X-Section: 8"/8"  
Length: 13'-9 1/2"  
Material: SYP-2  
Name of 3d file: Cama

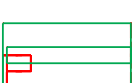
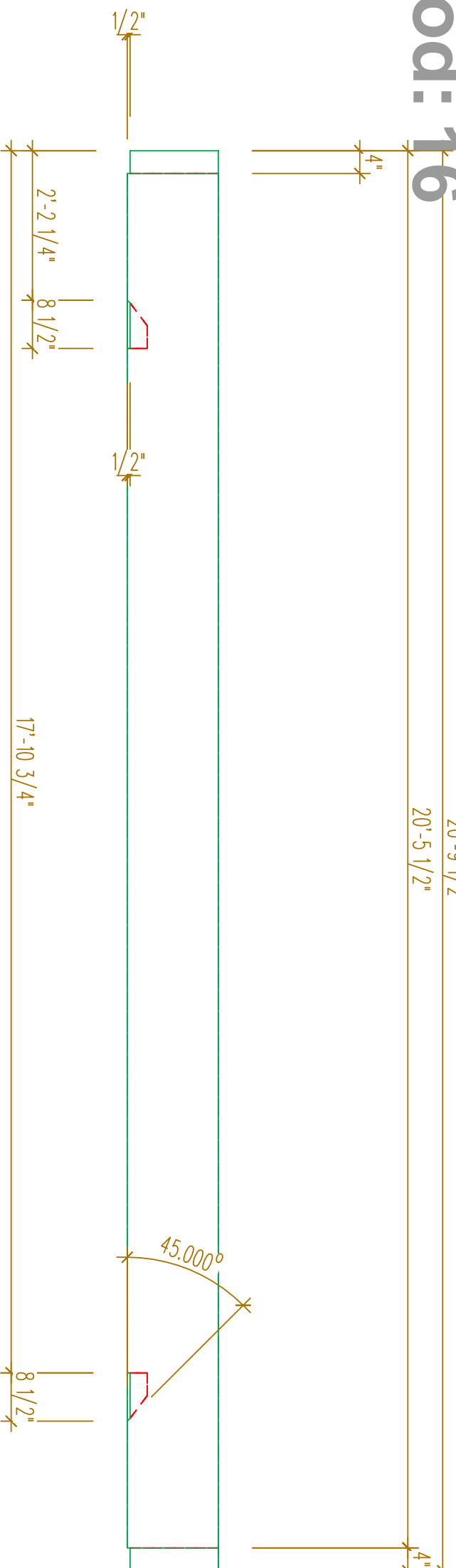
**Sc.: 1: 16**

DW Timber Frame Design  
Timber & SIP Design Specialist

Tel. 603.852.8251  
[www.timberframedesign.net](http://www.timberframedesign.net)

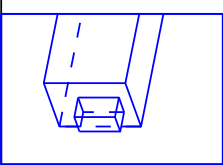
# Prod: 16

20'-9 1/2"  
20'-5 1/2"



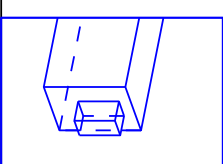
### Tenon unsym. backcut (tenon 3)

Form	Square
Direction	Height
Length	4"
Over length	0"
Width	2"
Over length mortise a bore	0"
Distance front bore	0"
Drilling scarf joint	0"
Pos. offset	1/2"



### Tenon unsym. backcut (tenon 3)

Form	Square
Direction	Height
Length	4"
Over length	0"
Width	2"
Over length mortise a bore	0"
Distance front bore	0"
Drilling scarf joint	0"
Pos. offset	1/2"



# GT

Project name: :  
Project number: :  
Architect: :  
Customer: :

Description: :  
Delivery Term: :  
Comment: :

Group: :  
Sub Group: :  
Nb.Prod.List: 16  
Nb.Timberlist: 0

X-Section: 8"1'-4"  
Length: 20'-9 1/2"  
Material: SYP-2  
Name of 3d file: Cama

# Qty:1

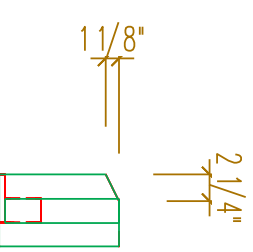
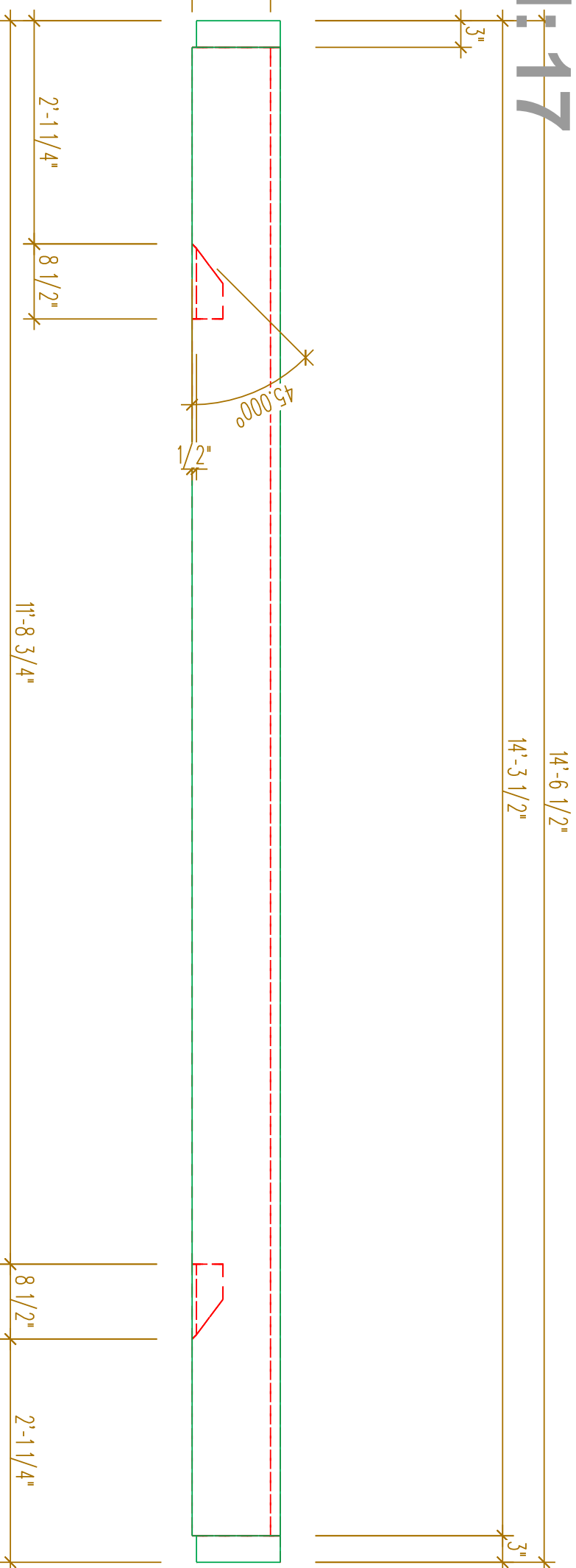
# Sc.: 1:16

DW Timber Frame Design  
Timber & SIP Design Specialist

Tel. 603.852.8251  
www.timberframedesign.net



# Prod: 17



**Tenon unsym. backcut (tenon 3)**

**H3/2/F\_5**

Form	Rounded
Direction	Height
Length	3'
Over length	0"
Width	2'
Over length mortise	0"
a bore	0"
Distance front bore	0"
Drilling scarf joint	0"
Pos. offset	0"
Neg. offset	1/2"

**Tenon unsym. backcut (tenon 3)**

**H3/2/F\_5**

Form	Rounded
Direction	Height
Length	3'
Over length	0"
Width	2'
Over length mortise	0"
a bore	0"
Distance front bore	0"
Drilling scarf joint	0"
Pos. offset	0"
Neg. offset	1/2"

## EG

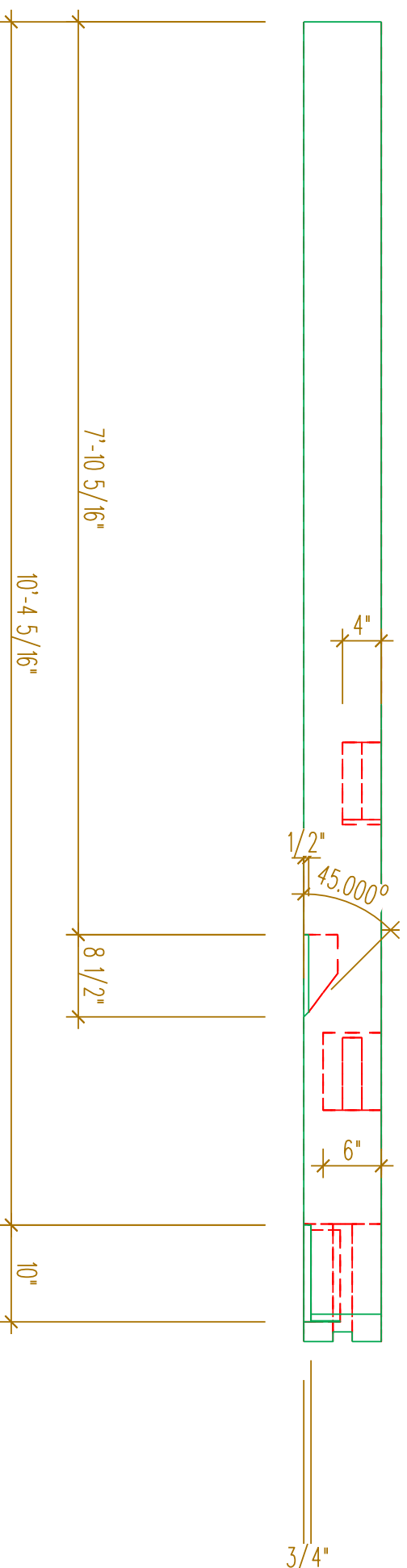
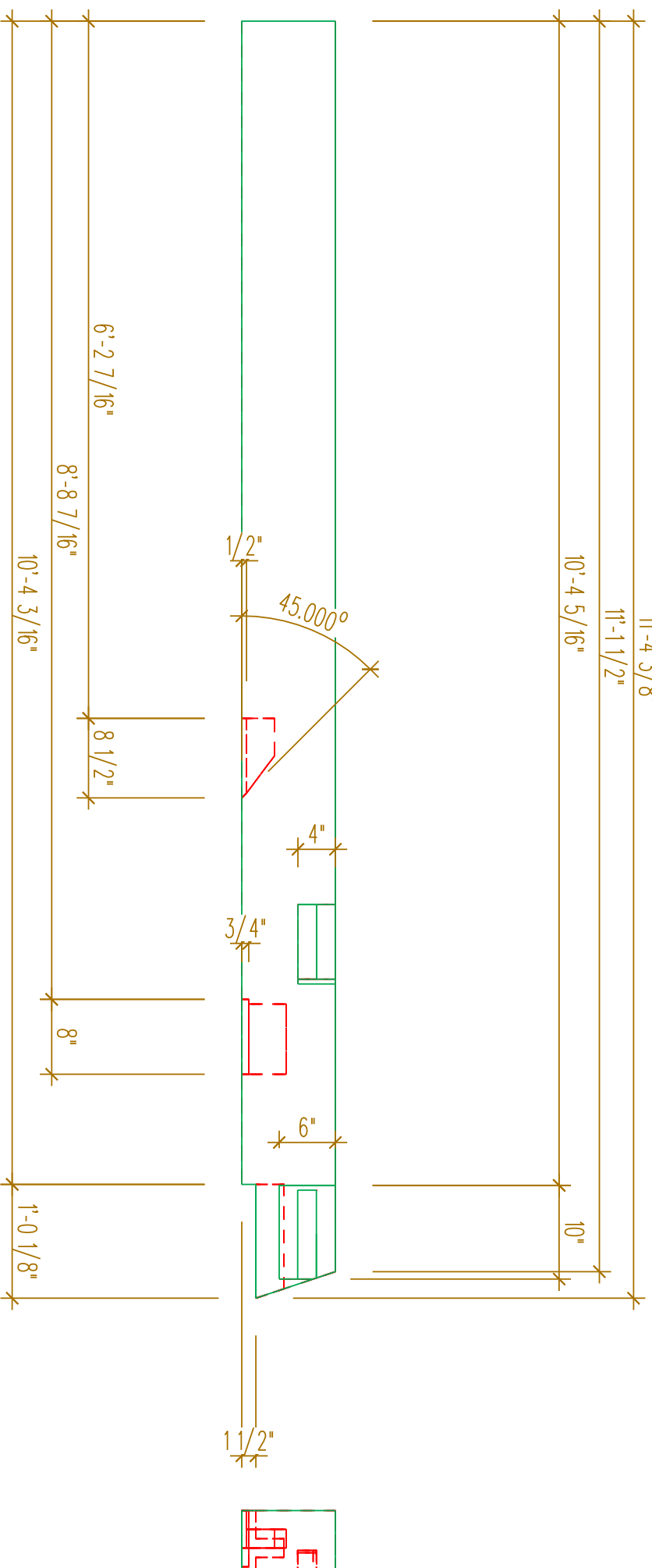
## Qty:4

Project name: :	Description: :	Group: :	joist plan	X-Section: 6"/10"	Sc.: 1:16
Project number: :		Sub Group: :		Length: 14'-6 1/2"	
Architect: :		Nb.Prod.List: 17		Material: SYP-2	
Customer: :		Nb.Timberlist: 0		Name of 3d file: Cama	
		Delivery Term: :			
		Comment: :			

DW Timber Frame Design  
Timber & SIP Design Specialist

Tel. 603.852.8251  
www.timberframedesign.net

# Prod: 18



**P**

Project name: :  
Project number: :  
Architect: :  
Customer: :

Description: :  
Delivery Term: :  
Comment: :

Group: :  
Sub Group: :  
Nb.Prod.List: 18  
Nb.Timberlist: 0

X-Section: 8"/10"  
Length: 11'-4 3/8"  
Material: SYP-2  
Name of 3d file: Cama

**Qty:2**

**Sc.: 1:16**

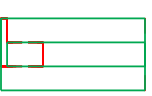
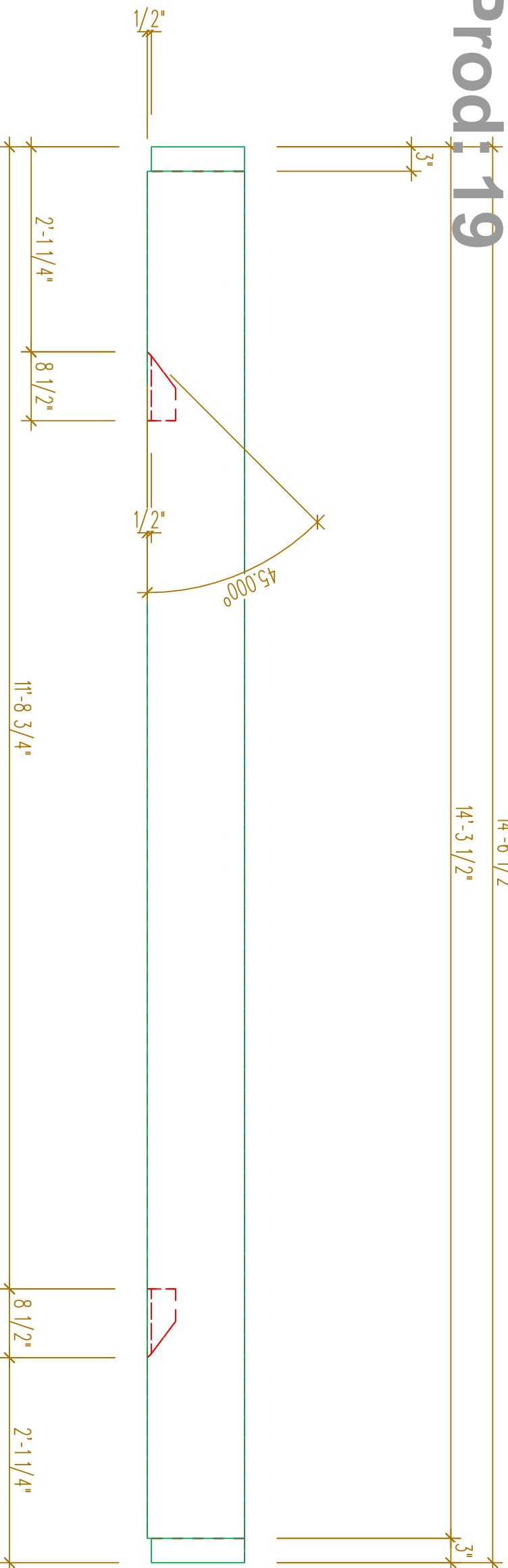
DW Timber Frame Design  
Timber & SLP Design Specialist

Tel. 603.852.8251  
www.timberframedesign.net

# Prod: 19

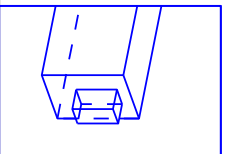
14'-6 1/2"

14'-3 1/2"



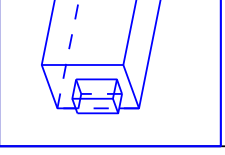
## Tenon unsym. backcut (tenon 3)

H3/2/F_5	Rounded
Form	Height
Direction	3"
Length	0"
Over length	2"
Width	0"
Over length mortise	0"
a bore	0"
Distance front bore	0"
Drilling scarf joint	0"
Pos. offset	1/2"
Neg. offset	



## Tenon unsym. backcut (tenon 3)

H3/2/F_5	Rounded
Form	Height
Direction	3"
Length	0"
Over length	2"
Width	0"
Over length mortise	0"
a bore	0"
Distance front bore	0"
Drilling scarf joint	0"
Pos. offset	1/2"
Neg. offset	



# CG

Project name: :  
Project number: :  
Architect: :  
Customer: :

Description: :  
Delivery Term: :  
Comment: :

Group: **joist plan**  
Sub Group: :  
Nb.Prod.List: **19**  
Nb.Timberlist: **0**

X-Section: **6"1'-0"**  
Length: **14'-6 1/2"**  
Material: **SYP-2**  
Name of 3d file: **Cama**

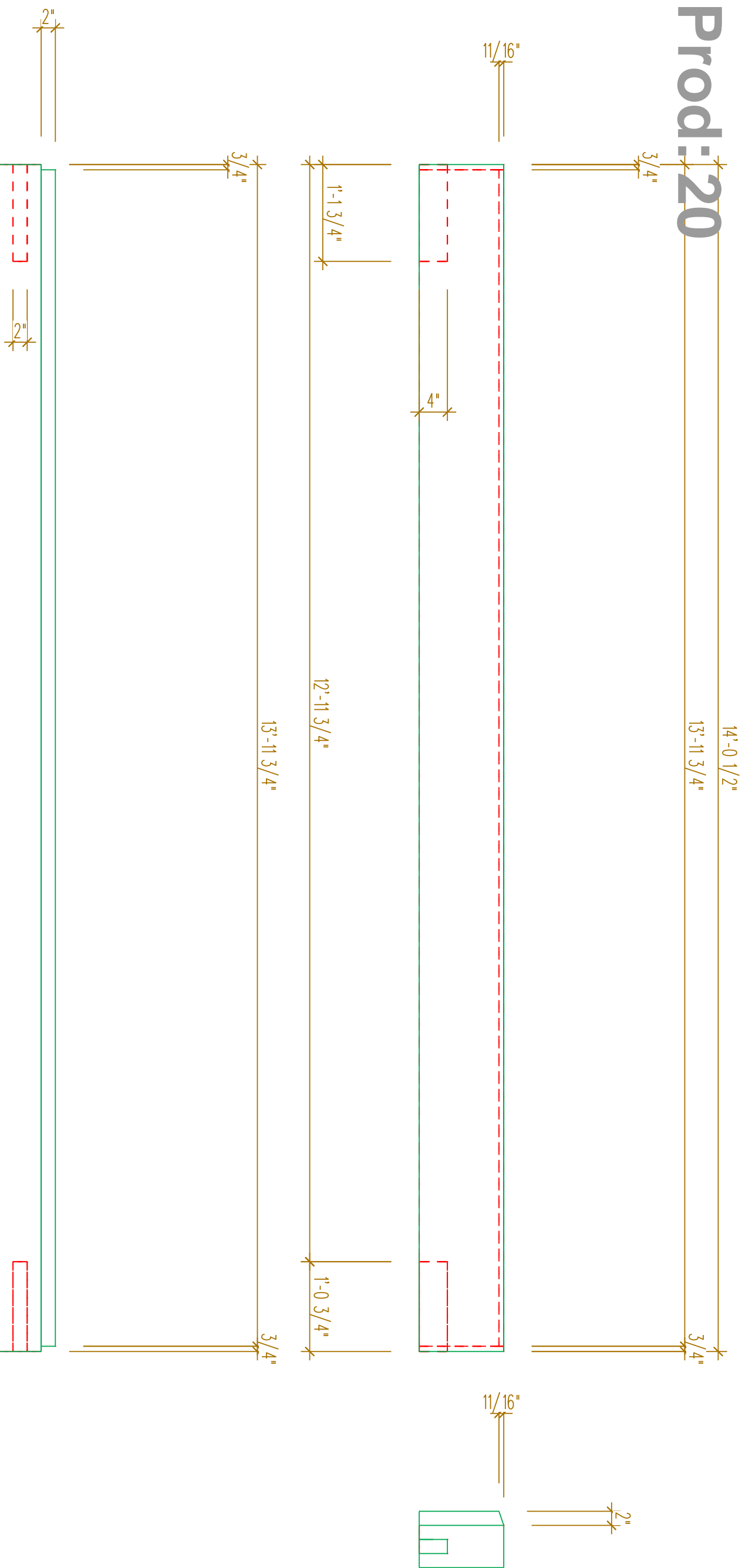
# Qty:4

Sc.: **1:16**

DW Timber Frame Design  
Timber & SIP Design Specialist

Tel. 603.852.8251  
www.timberframedesign.net

# Prod.:20



## CG

Project name: :  
Project number: :  
Architect: :  
Customer: :

Description: :  
Delivery Term: :  
Comment: :

Group: : **joist plan**  
Sub Group: :  
Nb.Prod.List: **20**  
Nb.Timberlist: **0**

X-Section: **8"1'-0"**  
Length: **14'-0 1/2"**  
Material: **SYP-2**  
Name of 3d file: **Cama**

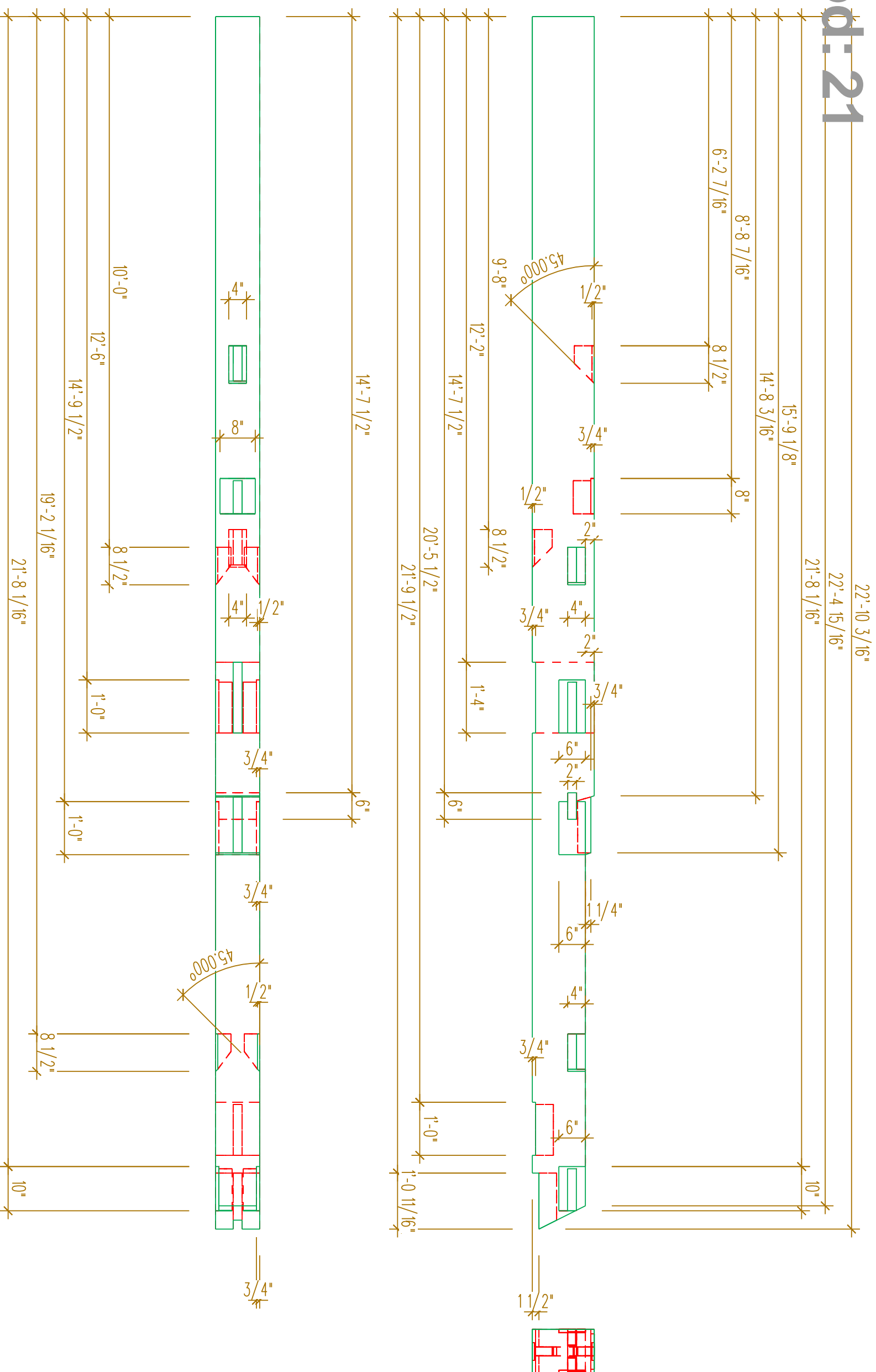
## Qty:2

**Sc.: 1:16**

DW Timber Frame Design  
Timber & SIP Design Specialist

Tel. 603.852.8251  
[www.timberframedesign.net](http://www.timberframedesign.net)

# Prod:21



**P**

Project name: :  
Project number: :  
Architect: :  
Customer: :

Description: :  
Delivery Term: :  
Comment: :

Group: :  
Sub Group: :  
Nb.Prod.List: 21  
Nb.Timberlist: 0

**Qty:1**

X-Section: 10"/1'-2"  
Length: 22'-10 3/16"  
Material: SYP-2  
Name of 3d file: Cama

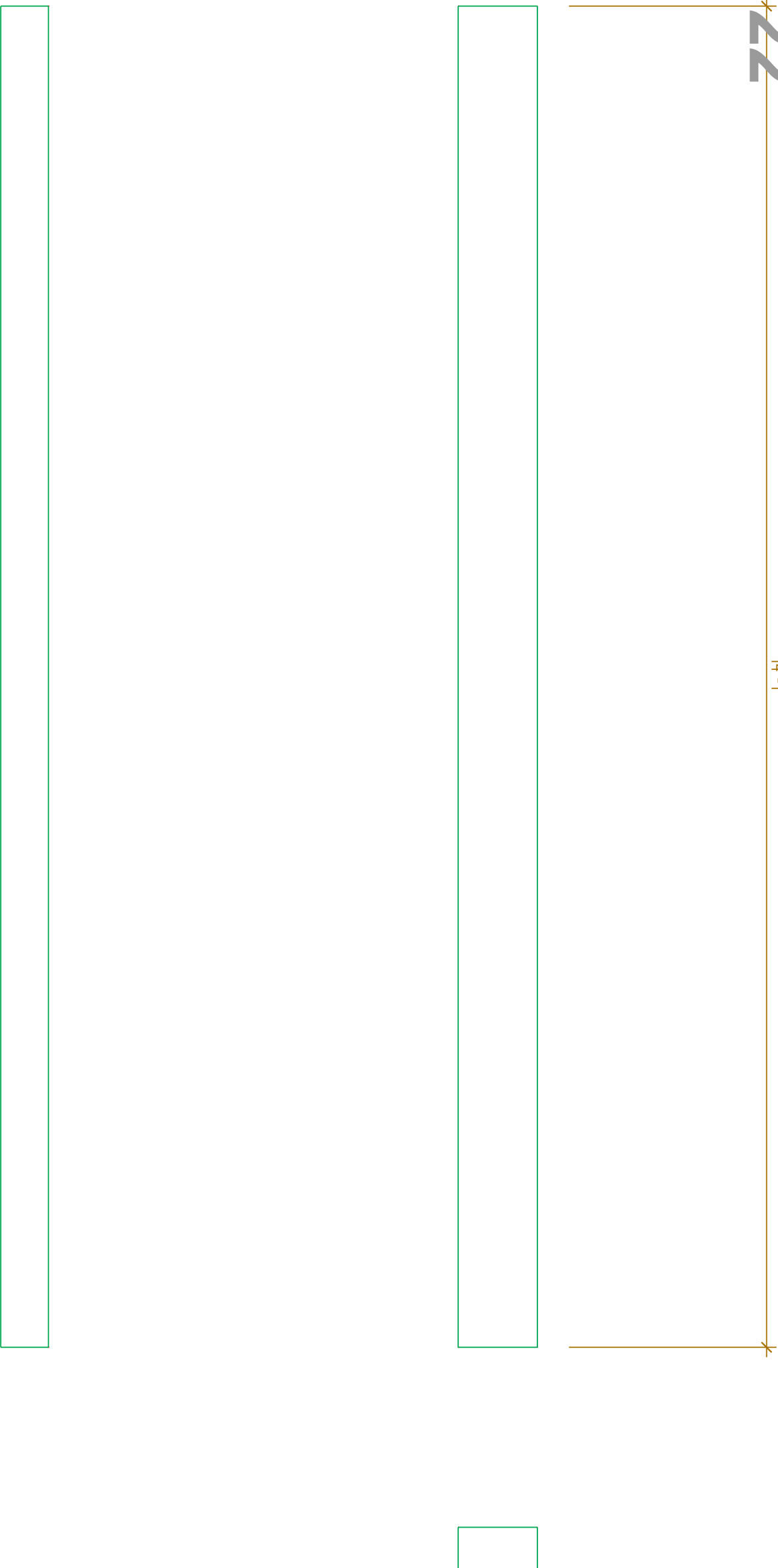
**Sc.: 1:16**

DW Timber Frame Design  
Timber & SIP Design Specialist

Tel. 603.852.8251  
www.timberframedesign.net

# Prod: 22

14'-1"



# J

# Qty: 5

# Sc.: 1:16

Project name: :  
Project number: :  
Architect: :  
Customer: :

Description: :  
Delivery Term: :  
Comment: :

Groupe: **joist plan**  
Sub Group: :  
Nb.Prod.List: **22**  
Nb.Timberlist: **0**

X-Section: **6"/10"**  
Length: **14'-1"**  
Material: **SYP-2**  
Name of 3d file: **Cama**

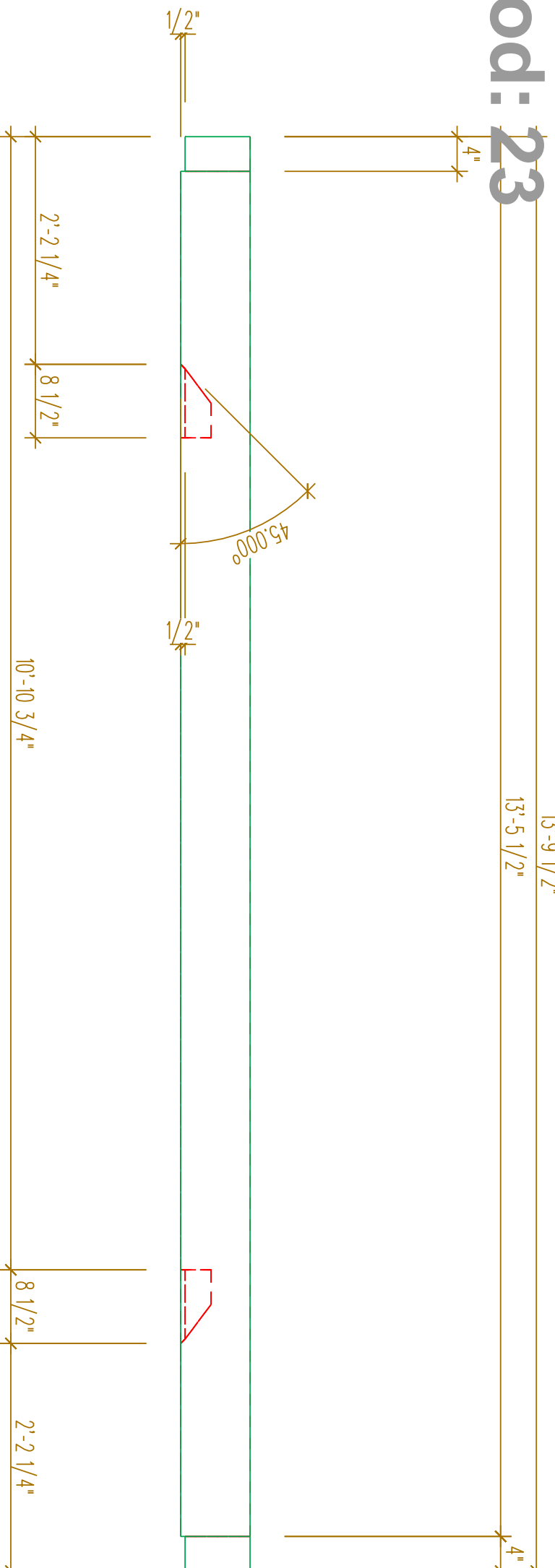
DW Timber Frame Design  
Timber & SIP Design Specialist

Tel. 603.852.8251  
[www.timberframedesign.net](http://www.timberframedesign.net)

# Prod: 23

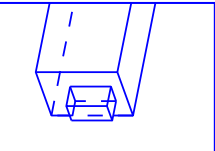
13'-9 1/2"

13'-5 1/2"



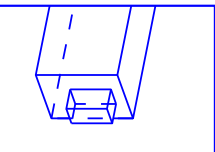
### Tenon unsym. backcut (tenon 3)

Form	Square
Direction	Height
Length	4"
Over length	0"
Width	2"
Over length mortise	0"
a bore	0"
Distance front bore	0"
Drilling scarf joint	0"
Pos. offset	0"
Neg. offset	1/2"



### Tenon unsym. backcut (tenon 3)

Form	Square
Direction	Height
Length	4"
Over length	0"
Width	2"
Over length mortise	0"
a bore	0"
Distance front bore	0"
Drilling scarf joint	0"
Pos. offset	0"
Neg. offset	1/2"



# GT

Project name: :  
Project number: :  
Architect: :  
Customer: :

Description: :  
Delivery Term: :  
Comment: :

Groupes: :  
Sub Group: :  
Nb.Prod.List: 23  
Nb.Timberlist: 0

X-Section: 6"8"  
Length: 13'-9 1/2"  
Material: SYP-2  
Name of 3d file: Cama

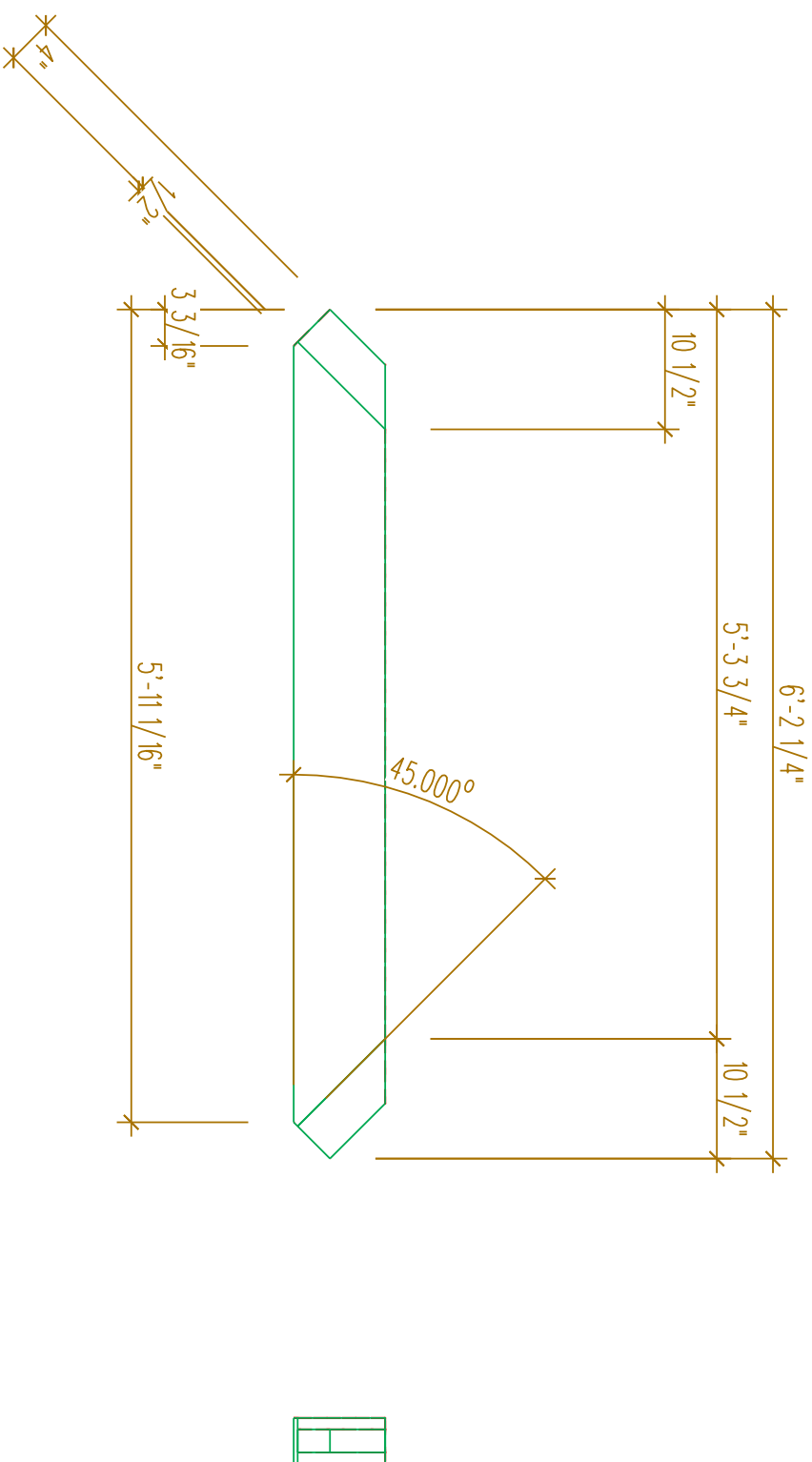
# Qty:4

# Sc.: 1:16

DW Timber Frame Design  
Timber & SIP Design Specialist

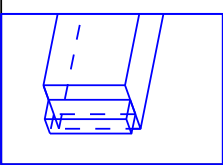
Tel. 603.852.8251  
www.timberframedesign.net

# Prod: 24



## Tenon without backcuts (tenon 1)

Form	Square
Direction	Height
Length	4"
Over length	0"
Width	2"
Over length mortise	0"
ø bore	0"
Distance front bore	0"
Drilling scarf joint	0"



# 48CB

Project name: :  
Project number: :  
Architect: :  
Customer: :

Description: :  
Delivery Term: :  
Comment: :

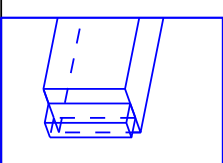
Groupe: :  
Sub Group: :  
Nb.Prod.List: 24  
Nb.Timberlist: 0

# Qty:6

X-Section: 4"8"  
Length: 6'-2 1/4"  
Material: SYP-2  
Name of 3d file: Cama  
Sc.: 1:16

## Tenon without backcuts (tenon 1)

Form	Square
Direction	Height
Length	4"
Over length	0"
Width	2"
Over length mortise	0"
ø bore	0"
Distance front bore	0"
Drilling scarf joint	0"



DW Timber Frame Design  
Timber & SIP Design Specialist

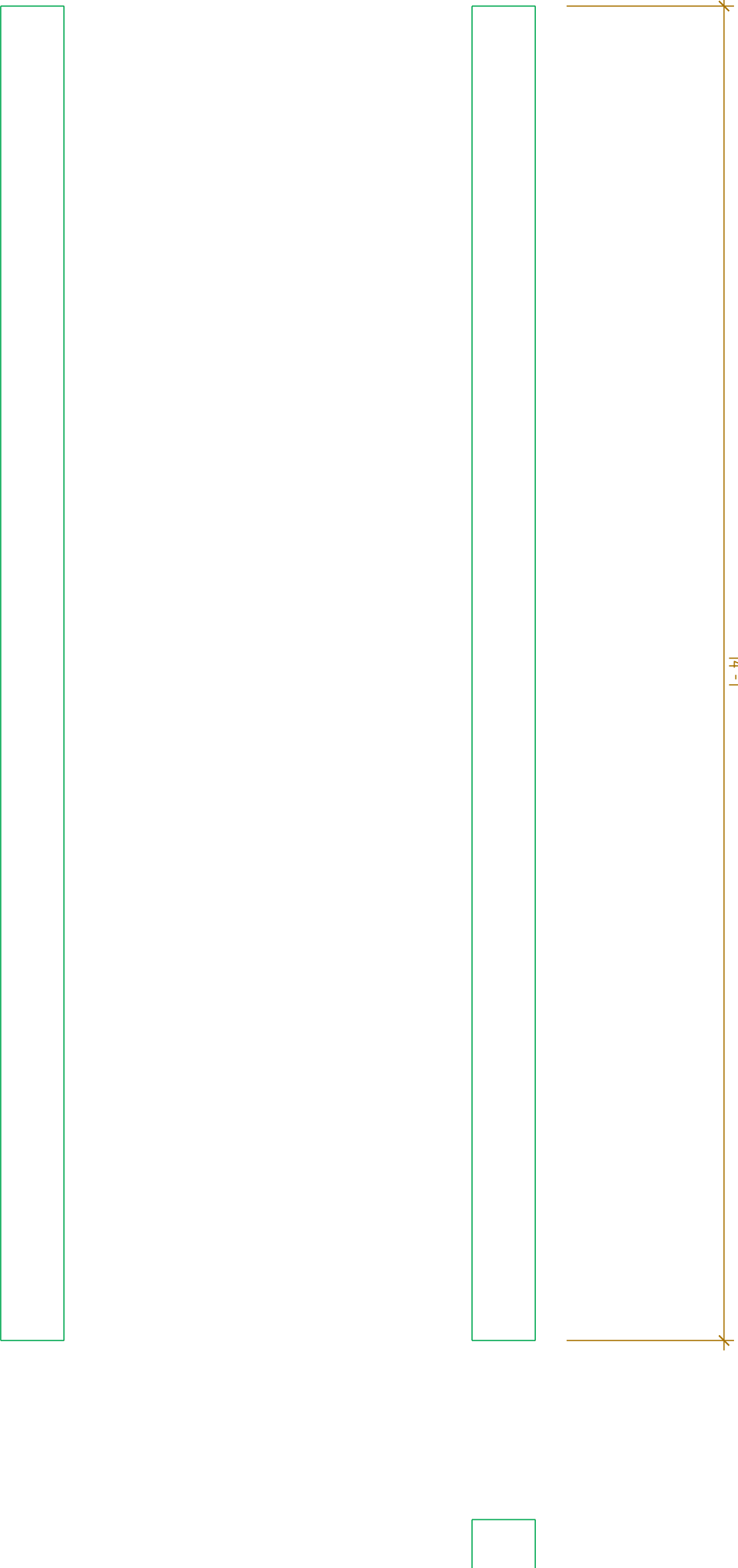
Tel. 603.852.8251  
[www.timberframedesign.net](http://www.timberframedesign.net)





# Prod: 26

14'-1"



# PN

# Qty:12

Project name: :  
Project number: :  
Architect: :  
Customer: :

Description: :  
Delivery Term: :  
Comment: :

Groupe: :  
Sub Group: :  
Nb.Prod.List: **26**  
Nb.Timberlist: **0**

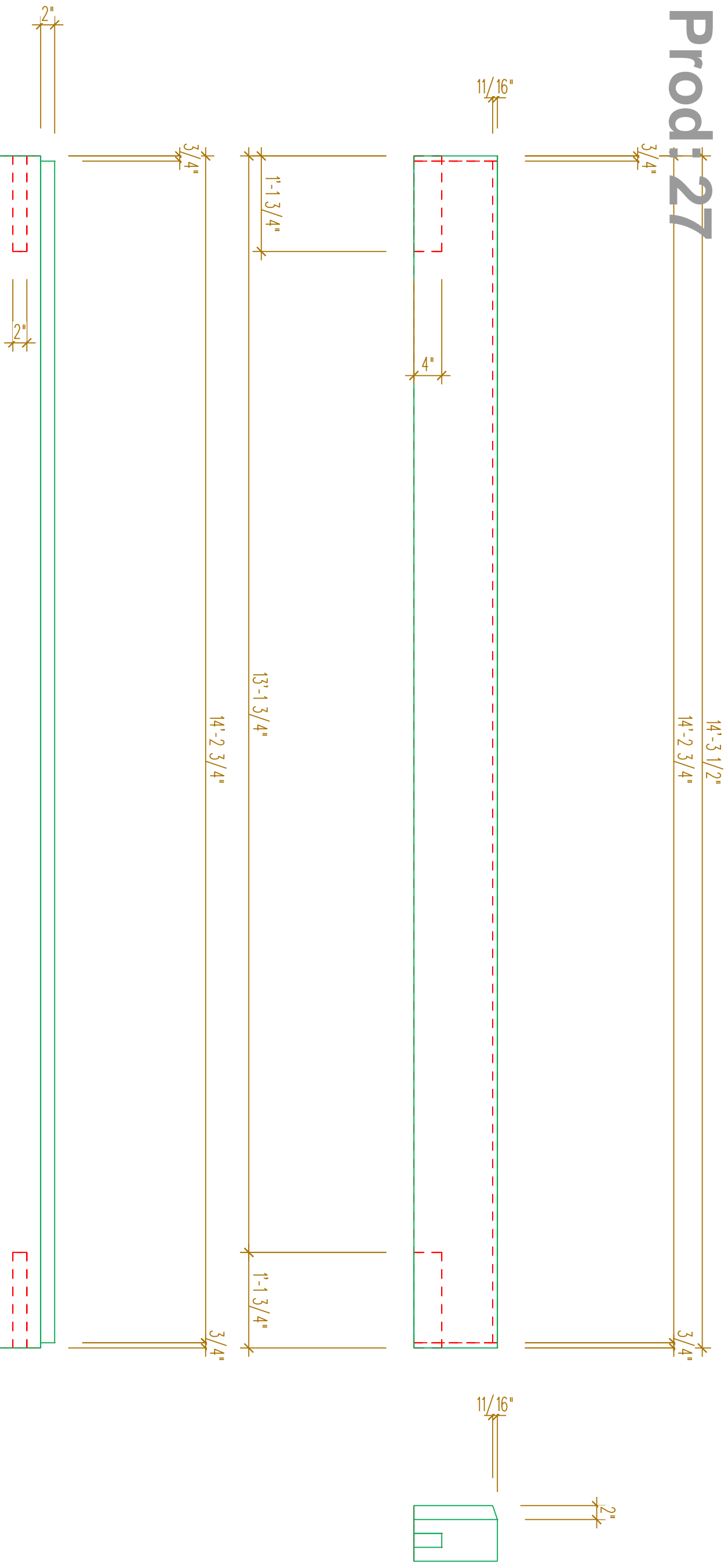
X-Section: 8"8"  
Length: 14'-1"  
Material: SYP-2  
Name of 3d file: **Cama**

**Sc.: 1:16**

DW Timber Frame Design  
Timber & SIP Design Specialist

Tel. 603.852.8251  
[www.timberframedesign.net](http://www.timberframedesign.net)

# Prod: 27



**CG**

Project name: :  
Project number: :  
Architect: :  
Customer: :

Description: :  
Delivery Term: :  
Comment: :

Group: : **joist plan**  
Sub Group: :  
Nb.Prod.List: **27**  
Nb.Timberlist: **0**

X-Section: **8" / 1'-0"**  
Length: **14'-3 1/2"**  
Material: **SYP-2**  
Name of 3d file: **Cama**

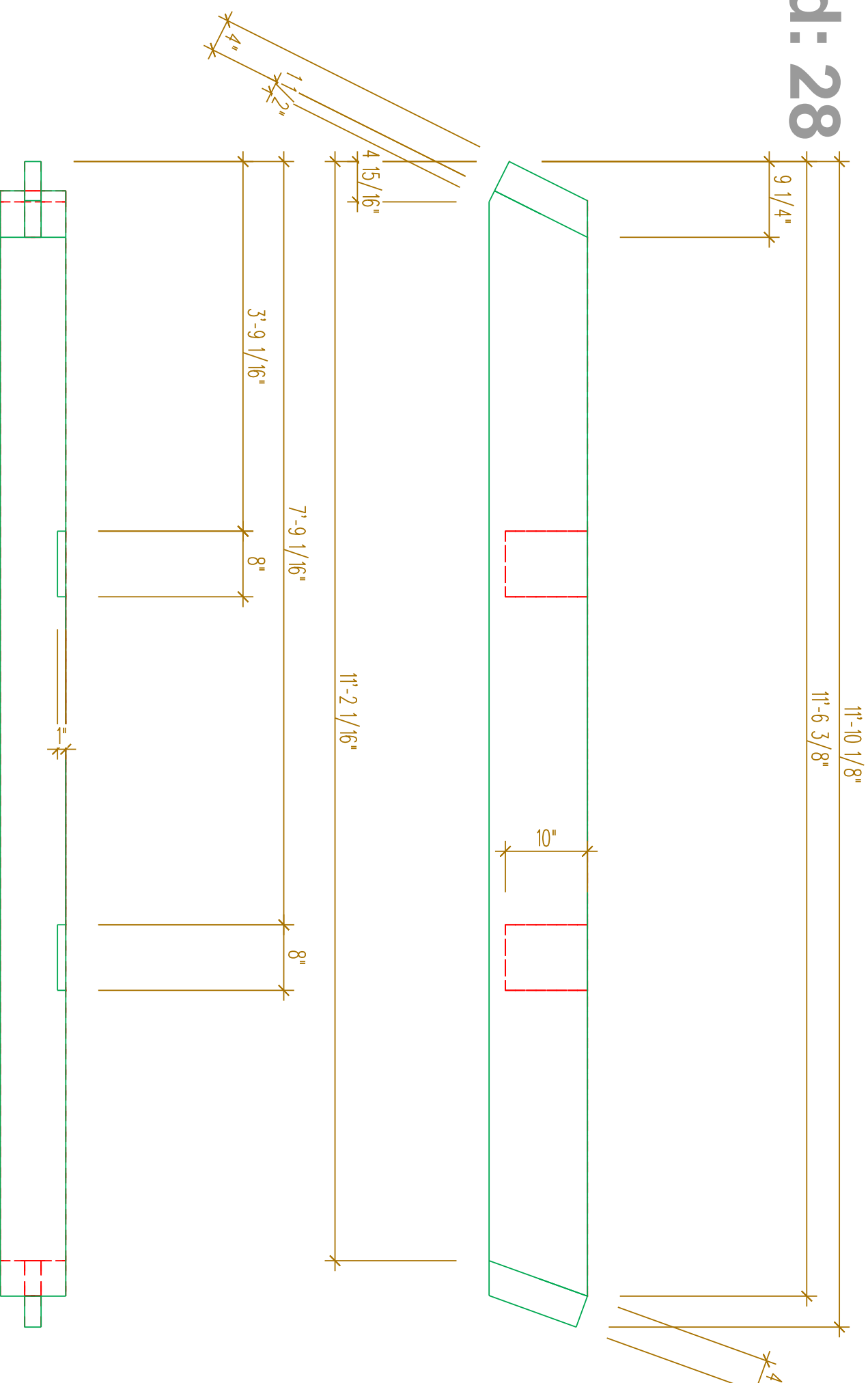
**Qty: 4**

**Sc.: 1:16**

DW Timber Frame Design  
Timber & SIP Design Specialist

Tel. 603.852.8251  
[www.timberframedesign.net](http://www.timberframedesign.net)

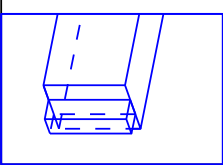
# Prod: 28



**Tenon without backcuts (tenon 1)**

**H4.012**

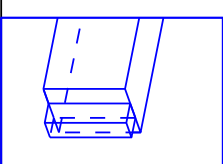
Form	Rounded
Direction	Height
Length	4"
Over length	0"
Width	2"
Over length mortise	0"
ø bore	0"
Distance front bore	0"
Drilling scarf joint	0"



**Tenon without backcuts (tenon 1)**

**H4.012**

Form	Rounded
Direction	Height
Length	4"
Over length	0"
Width	2"
Over length mortise	0"
ø bore	0"
Distance front bore	0"
Drilling scarf joint	0"



# R

# Qty:2

Project name: :	Description: :	Group: :	X-Section: 8"1'-0"
Project number: :	Sub Group: :	Nb. Prod. List: 28	Length: 11'-10 1/8"
Architect: :	Delivery Term: :	Nb. Timberlist: 0	Material: SYP-2
Customer: :	Comment: :		Name of 3d file: Cama

Sc.: 1:16

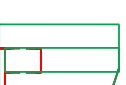
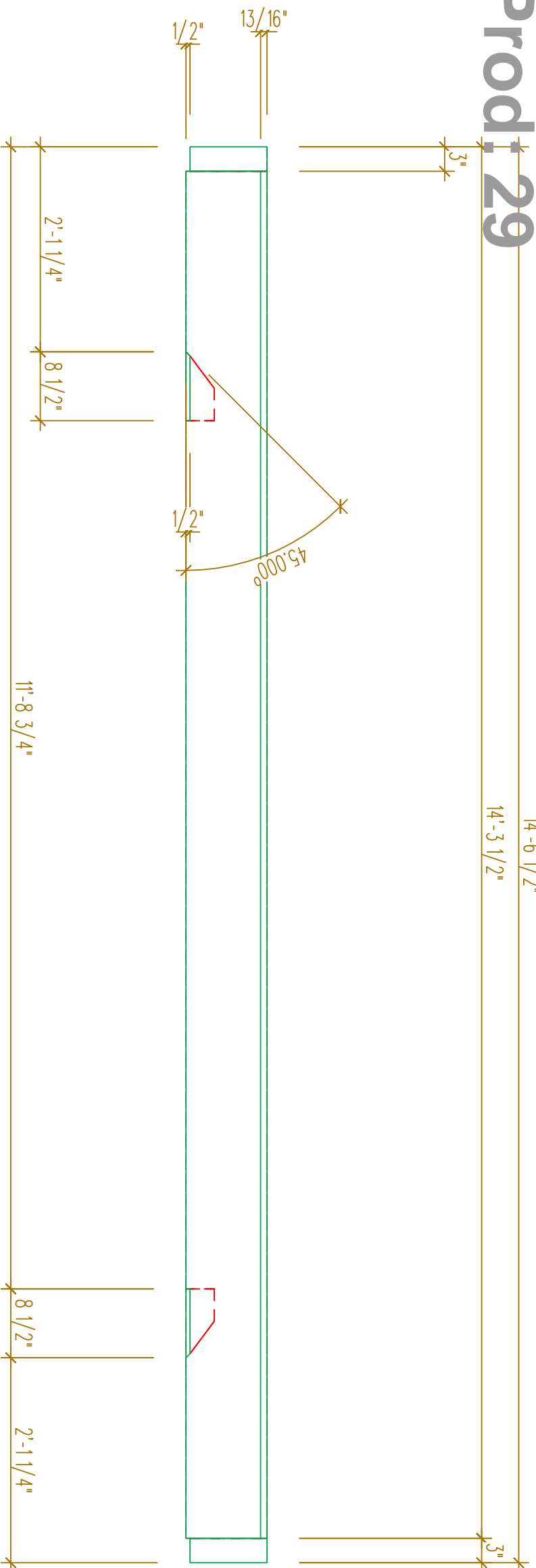
DW Timber Frame Design  
Timber & SIP Design Specialist

Tel. 603.852.8251  
www.timberframedesign.net



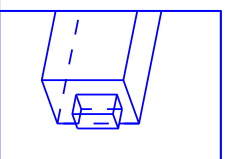
# Prod: 29

14'-6 1/2"  
14'-3 1/2"



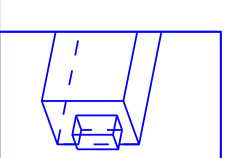
## Tenon unsym. backcut (tenon 3)

H3/2/F_5	Rounded
Form	Direction
Length	3"
Over length	0"
Width	2"
Over length mortise	0"
a bore	0"
Distance front bore	0"
Drilling scarf joint	0"
Pos. offset	0"
Neg. offset	1/2"



## Tenon unsym. backcut (tenon 3)

H3/2/F_5	Rounded
Form	Direction
Length	3"
Over length	0"
Width	2"
Over length mortise	0"
a bore	0"
Distance front bore	0"
Drilling scarf joint	0"
Pos. offset	0"
Neg. offset	1/2"



# EG

Project name: :  
Project number: :  
Architect: :  
Customer: :

Description: :  
Delivery Term: :  
Comment: :

Group: **joist plan**  
Sub Group: :  
Nb.Prod.List: **29**  
Nb.Timberlist: **0**

X-Section: **6"/10"**  
Length: **14'-6 1/2"**  
Material: **SYP-2**  
Name of 3d file: **Camà**

# Qty:4

# Sc.: 1:16

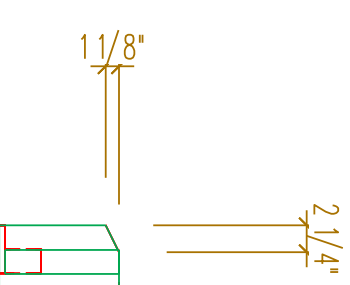
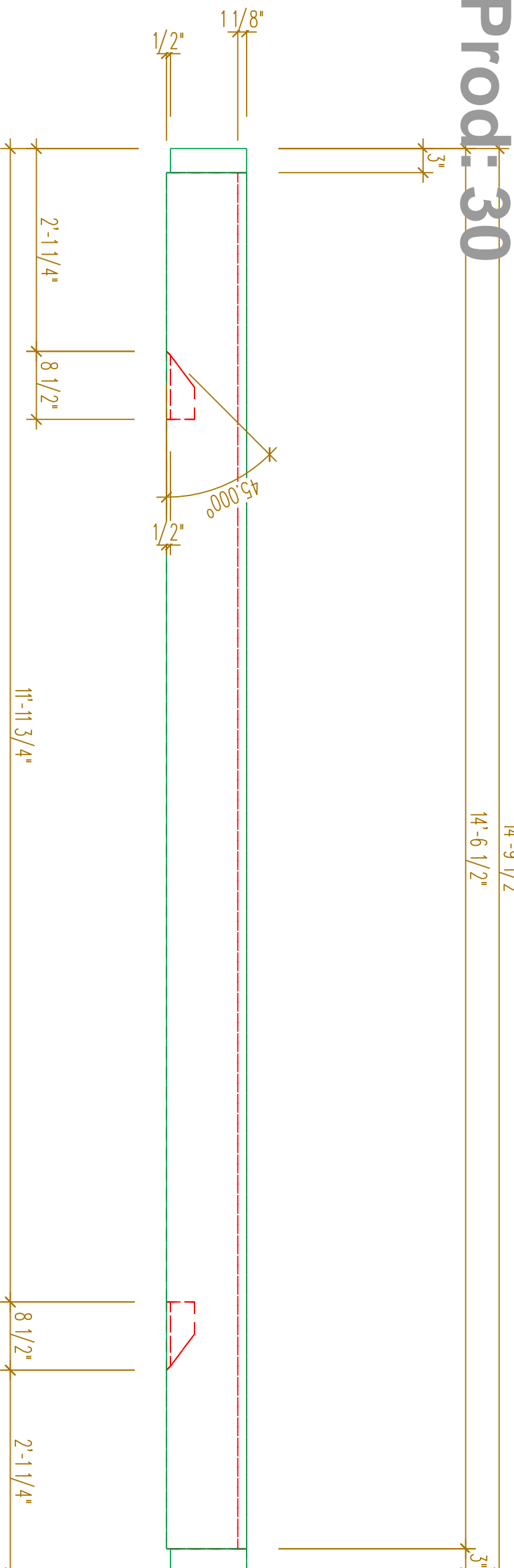
DW Timber Frame Design  
Timber & SIP Design Specialist

Tel. 603.852.8251  
[www.timberframedesign.net](http://www.timberframedesign.net)

# Prod: 30

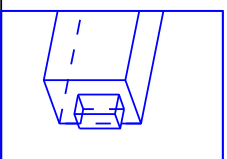
14'-9 1/2"

14'-6 1/2"



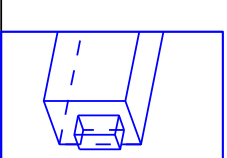
### Tenon unsym. backcut (tenon 3)

Form	Rounded
Direction	Height
Length	3"
Over length	0"
Width	2"
Over length mortise	0"
a bore	0"
Distance front bore	0"
Drilling scarf joint	0"
Pos. offset	0"
Neg. offset	1/2"



### Tenon unsym. backcut (tenon 3)

Form	Rounded
Direction	Height
Length	3"
Over length	0"
Width	2"
Over length mortise	0"
a bore	0"
Distance front bore	0"
Drilling scarf joint	0"
Pos. offset	0"
Neg. offset	1/2"



# EG

Project name: :  
Project number: :  
Architect: :  
Customer: :

Description: :  
Delivery Term: :  
Comment: :

Group: **joist plan**  
Sub Group: :  
Nb.Prod.List: **30**  
Nb.Timberlist: **0**

X-Section: **6"/10"**  
Length: **14'-9 1/2"**  
Material: **SYP-2**  
Name of 3d file: **Cama**

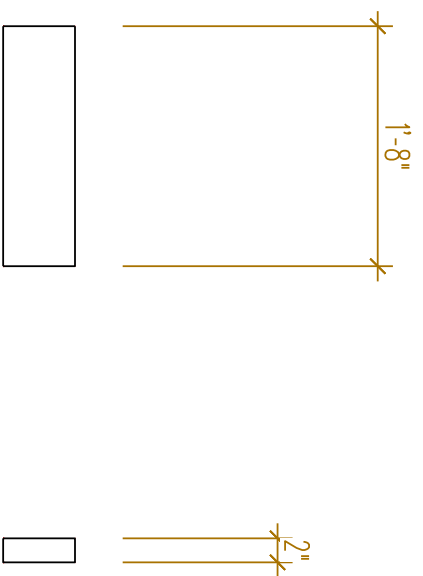
# Qty:4

# Sc.: 1:16

DW Timber Frame Design  
Timber & SIP Design Specialist

Tel. 603.852.8251  
[www.timberframedesign.net](http://www.timberframedesign.net)

# Prod: 31



## spline

Project name: :  
Project number: :  
Architect: :  
Customer: :

Description: :  
Delivery Term: :  
Comment: :

Groupe: **east**  
Sub Group: :  
Nb.Prod.List: **31**  
Nb.Timberlist: **0**

## Qty:4

X-Section: **2"/6"**  
Length: **1'-8"**  
Material: **OAK**  
Name of 3d file: **Cama**

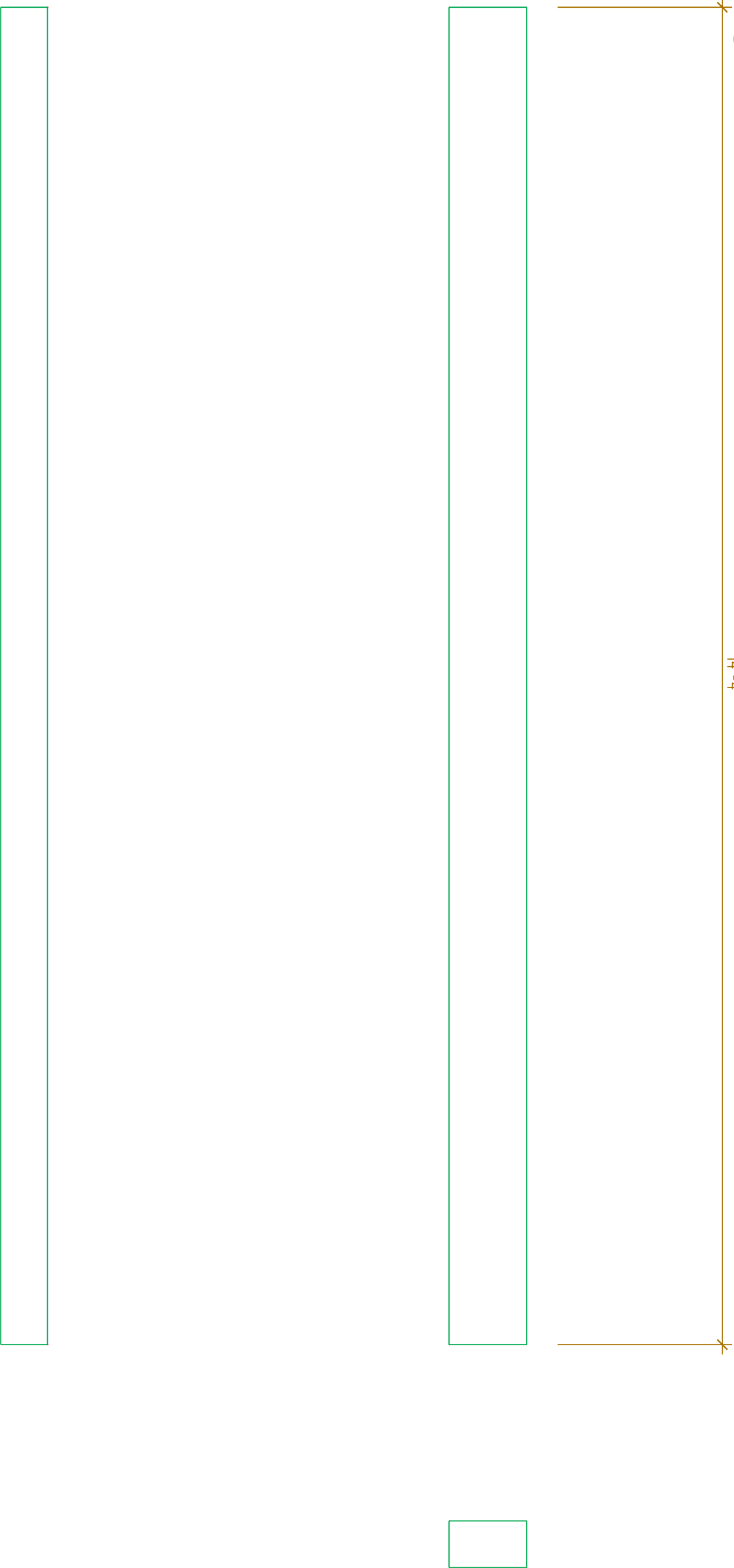
**Sc.: 1:16**

DW Timber Frame Design  
Timber & SIP Design Specialist

Tel. 603.852.8251  
[www.timberframedesign.net](http://www.timberframedesign.net)

# Prod: 32

14'-4"



# J

Project name: :  
Project number: :  
Architect: :  
Customer: :

Description: :  
Delivery Term: :  
Comment: :

Groupe: **joist plan**  
Sub Group: :  
Nb.Prod.List: **32**  
Nb.Timberlist: **0**

X-Section: **6"/10"**  
Length: **14'-4"**  
Material: **SYP-2**  
Name of 3d file: **Cama**

# Qty:5

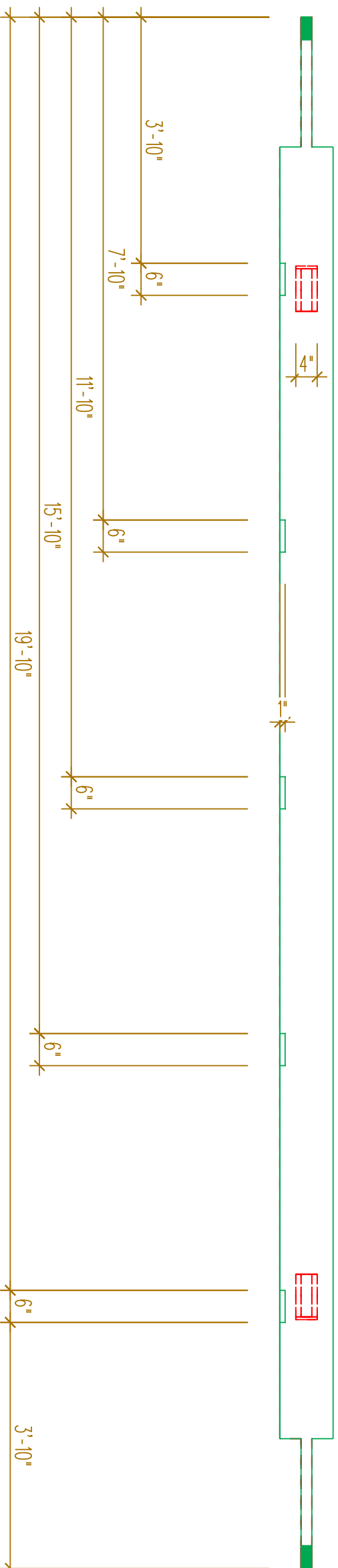
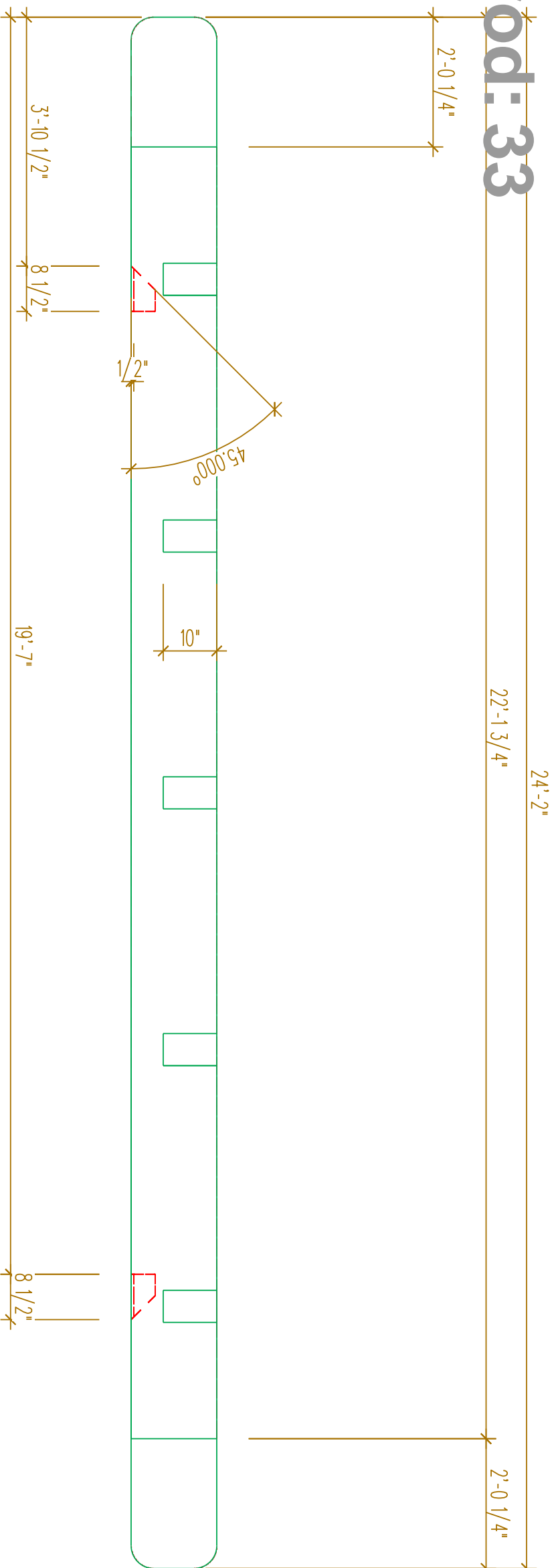
# Sc.: 1:16

DW Timber Frame Design  
Timber & SIP Design Specialist

Tel. 603.852.8251  
[www.timberframedesign.net](http://www.timberframedesign.net)



# Prod:33



# TB

Project name: :  
Project number: :  
Architect: :  
Customer: :

Description: :  
Delivery Term: :  
Comment: :

Group: :  
Sub Group: :  
Nb.Prod.List: 33  
Nb.Timberlist: 0

X-Section: 10"/1'-4"  
Length: 24'-2"  
Material: SYP-2  
Name of 3d file: Cama

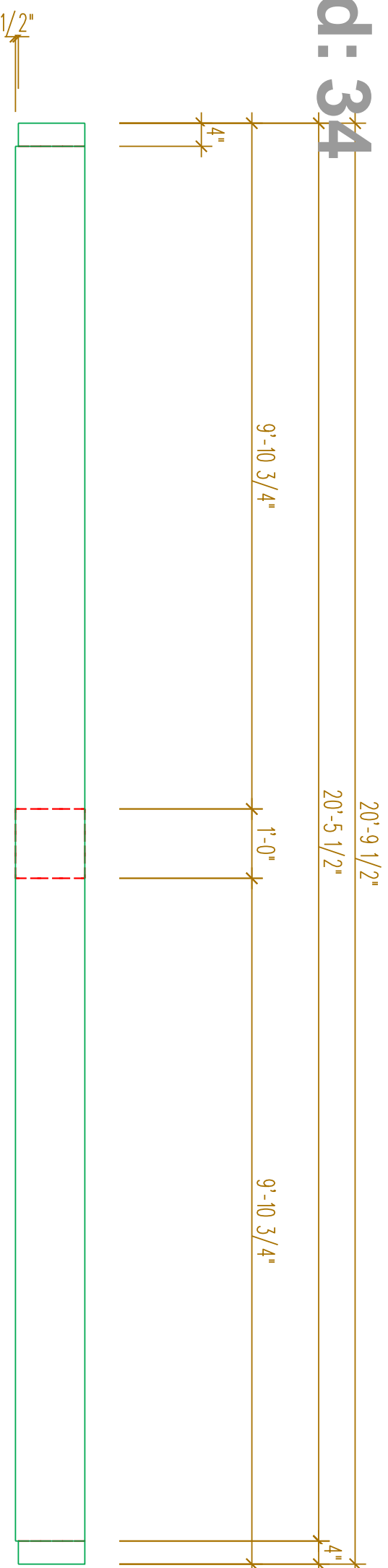
# Qty:1

# Sc.: 1:16

DW Timber Frame Design  
Timber & SLP Design Specialist

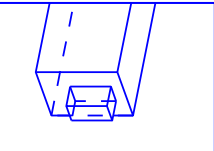
Tel. 603.852.8251  
www.timberframedesign.net

# Prod: 34



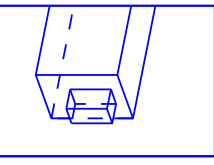
### Tenon unsym. backcut (tenon 3)

Form	Square
Direction	Height
Length	4"
Over length	0"
Width	2"
Over length mortise a bore	0"
Distance front bore	0"
Drilling scarf joint	0"
Pos. offset	1/2"



### Tenon unsym. backcut (tenon 3)

Form	Square
Direction	Height
Length	4"
Over length	0"
Width	2"
Over length mortise a bore	0"
Distance front bore	0"
Drilling scarf joint	0"
Pos. offset	1/2"



# TB

# Qty:3

Project name: :  
Project number: :  
Architect: :  
Customer: :

Description: :  
Delivery Term: :  
Comment: :

Group: **south**  
Sub Group: :  
Nb.Prod.List: **34**  
Nb.Timberlist: **0**

X-Section: **10"/1'-0"**  
Length: **20'-9 1/2"**  
Material: **SYP-2**  
Name of 3d file: **Cama**

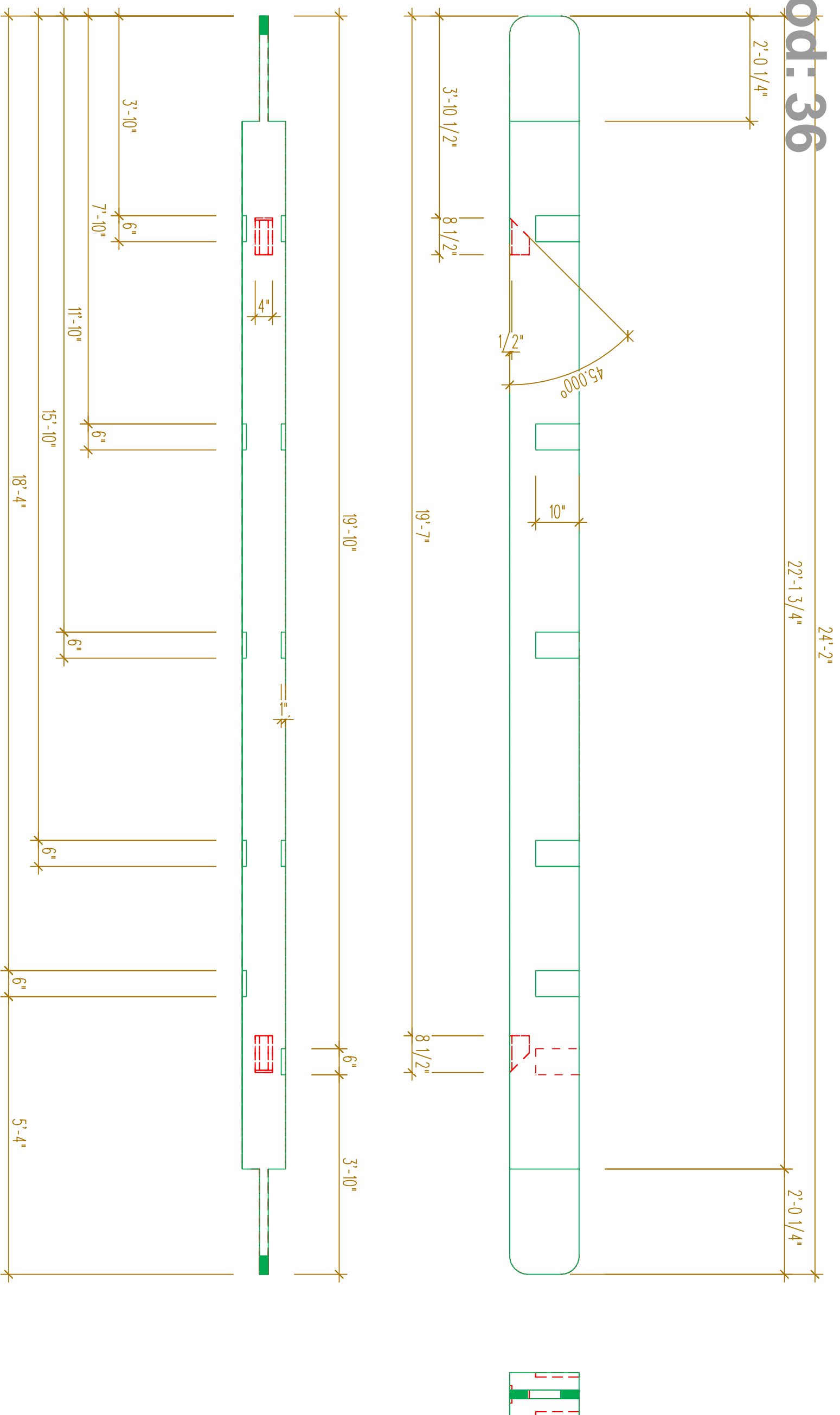
Sc.: **1:16**

DW Timber Frame Design  
Timber & SIP Design Specialist

Tel. 603.852.8251  
[www.timberframedesign.net](http://www.timberframedesign.net)



# Prod: 36



# TB

# Qty: 1

Project name: :  
Project number: :  
Architect: :  
Customer: :

Description: :  
Delivery Term: :  
Comment: :

Group: :  
Sub Group: :  
Nb.Prod.List: 36  
Nb.Timberlist: 0

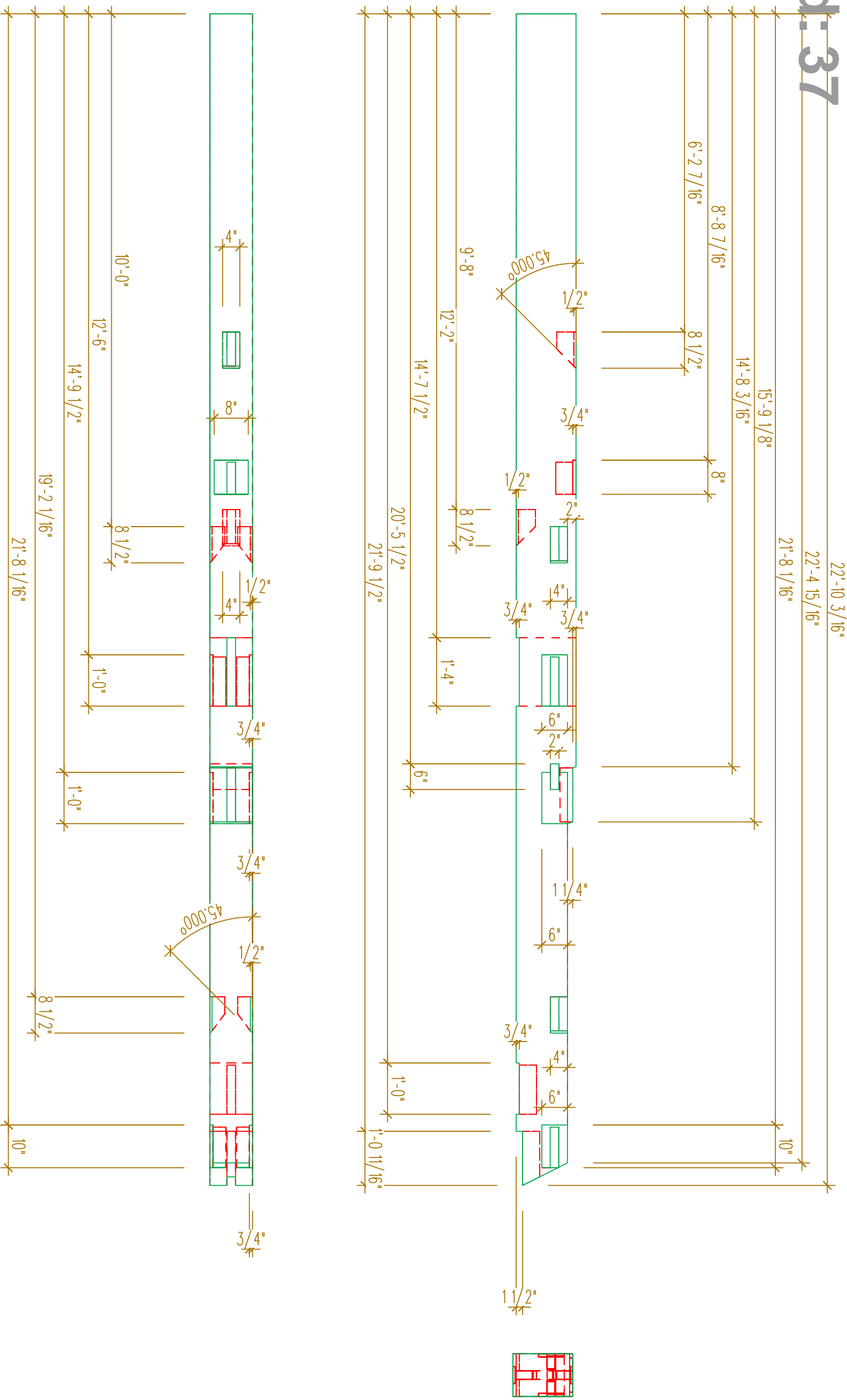
X-Section: 10"/1'-4"  
Length: 24'-2"  
Material: SYP-2  
Name of 3d file: Cama

**Sc.: 1: 16**

DW Timber Frame Design  
Timber & SLP Design Specialist

Tel. 603.852.8251  
www.timberframedesign.net

# Prod:37



**P**

Project name: :  
 Project number: :  
 Architect: :  
 Customer: :

Description: :  
 Delivery Term: :  
 Comment: :

Group: :  
 Sub Group: :  
 Nb.Prod.List: 37  
 Nb.Timberlist: 0

**Qty:2**

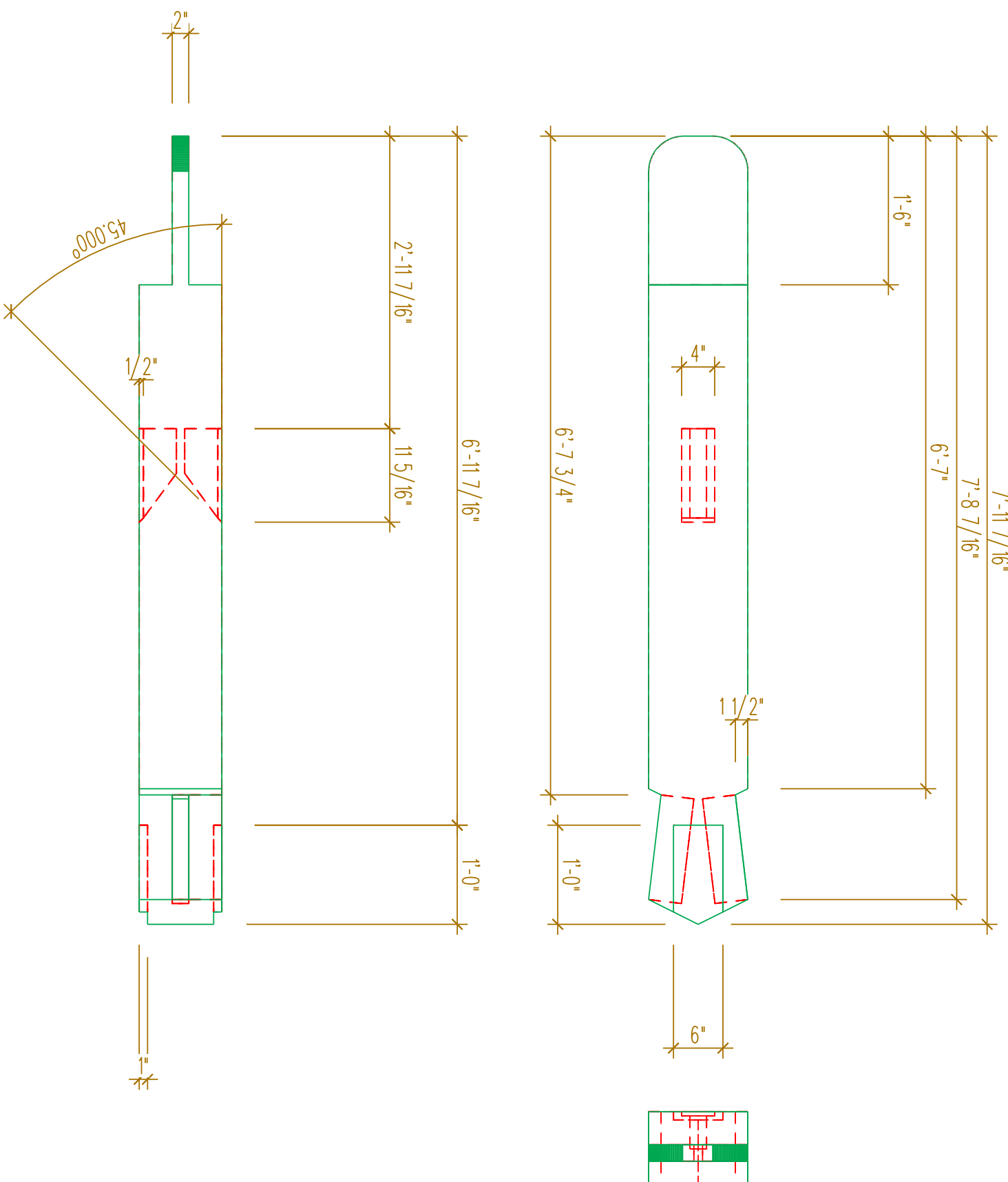
X-Section: 10"1'-2"  
 Length: 22'-10 3/16"  
 Material: SYP-2  
 Name of 3d file: Cama

**Sc.: 1:16**

DW Timber Frame Design  
 Timber & SIP Design Specialist

Tel. 603.852.8251  
 www.timberframedesign.net

# Prod: 38



# KPO

Project name: :  
Project number: :  
Architect: :  
Customer: :

Description: :  
Delivery Term: :  
Comment: :

Groupe: :  
Sub Group: :  
Nb.Prod.List: 38  
Nb.Timberlist: 0

X-Section: 10"1'-0"  
Length: 7'-11 7/16"  
Material: SYP-2  
Name of 3d file: Cama

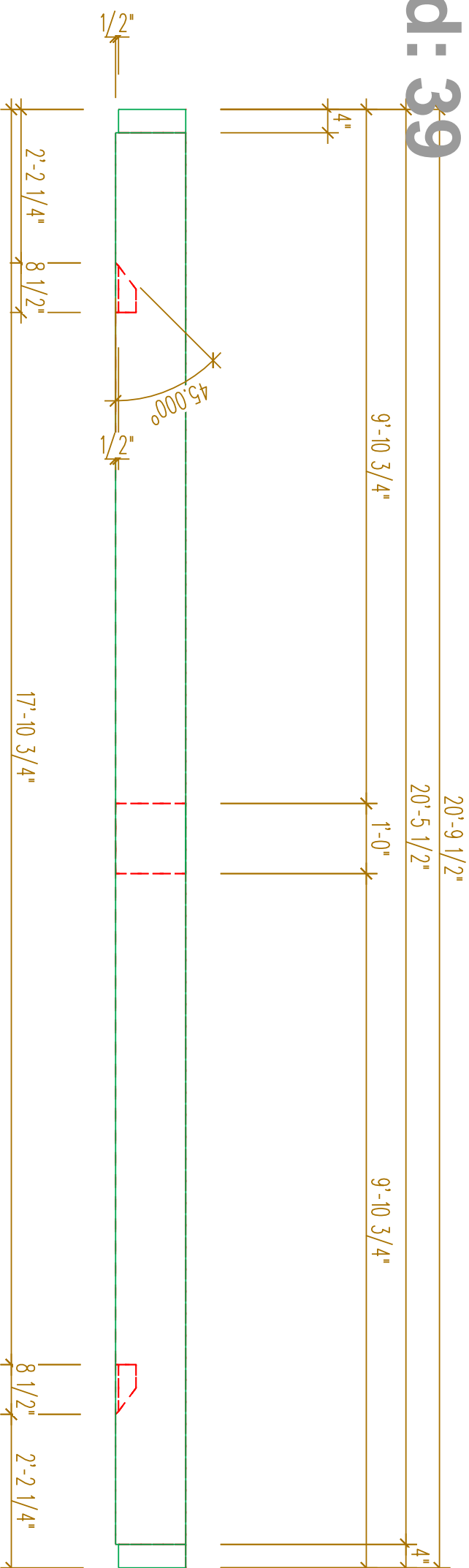
# Qty:1

# Sc.: 1:16

DW Timber Frame Design  
Timber & SLP Design Specialist

Tel. 603.852.8251  
[www.timberframedesign.net](http://www.timberframedesign.net)

# Prod: 39



**Tenon unsym. backcut (tenon 3)**  
**H4/2/F-.5**

Form	Square
Direction	4"
Length	0"
Over length	2"
Width	0"
Over length mortise a bore	0"
Distance front bore	0"
Drilling scarf joint	0"
Pos. offset	1/2"

**Tenon unsym. backcut (tenon 3)**  
**H4/2/F-.5**

Form	Square
Direction	4"
Length	0"
Over length	2"
Width	0"
Over length mortise a bore	0"
Distance front bore	0"
Drilling scarf joint	0"
Pos. offset	1/2"

## GT

## Qty:1

Project name: :  
 Project number: :  
 Architect: :  
 Customer: :

Description: :  
 Delivery Term: :  
 Comment: :

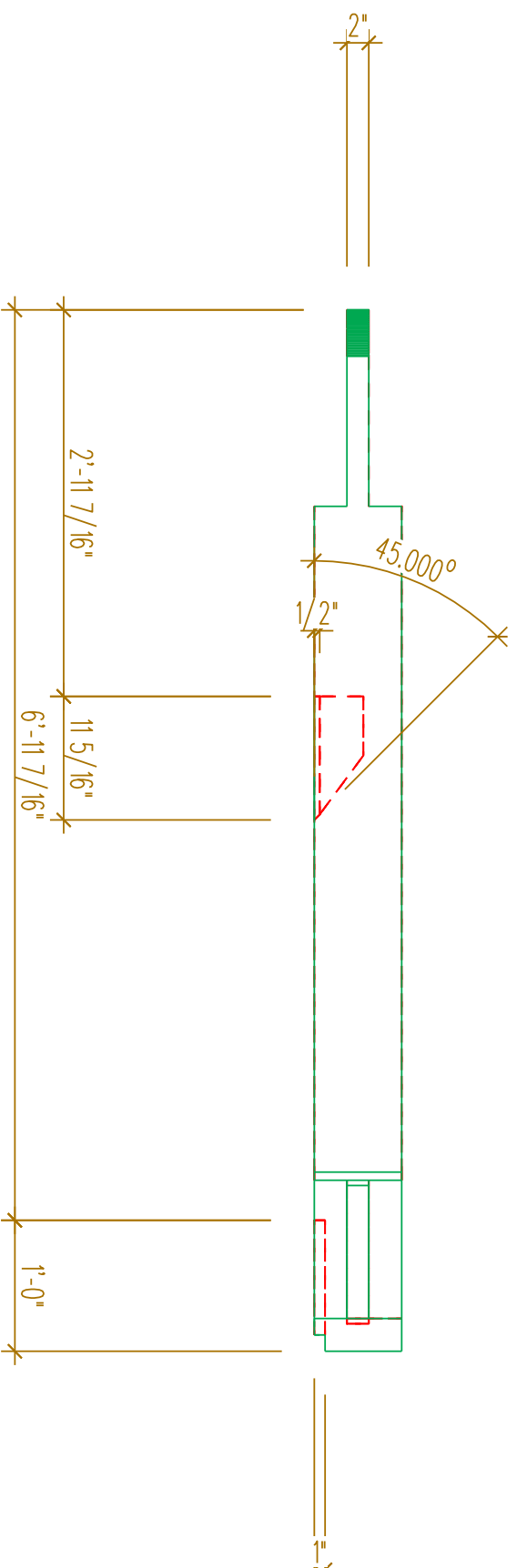
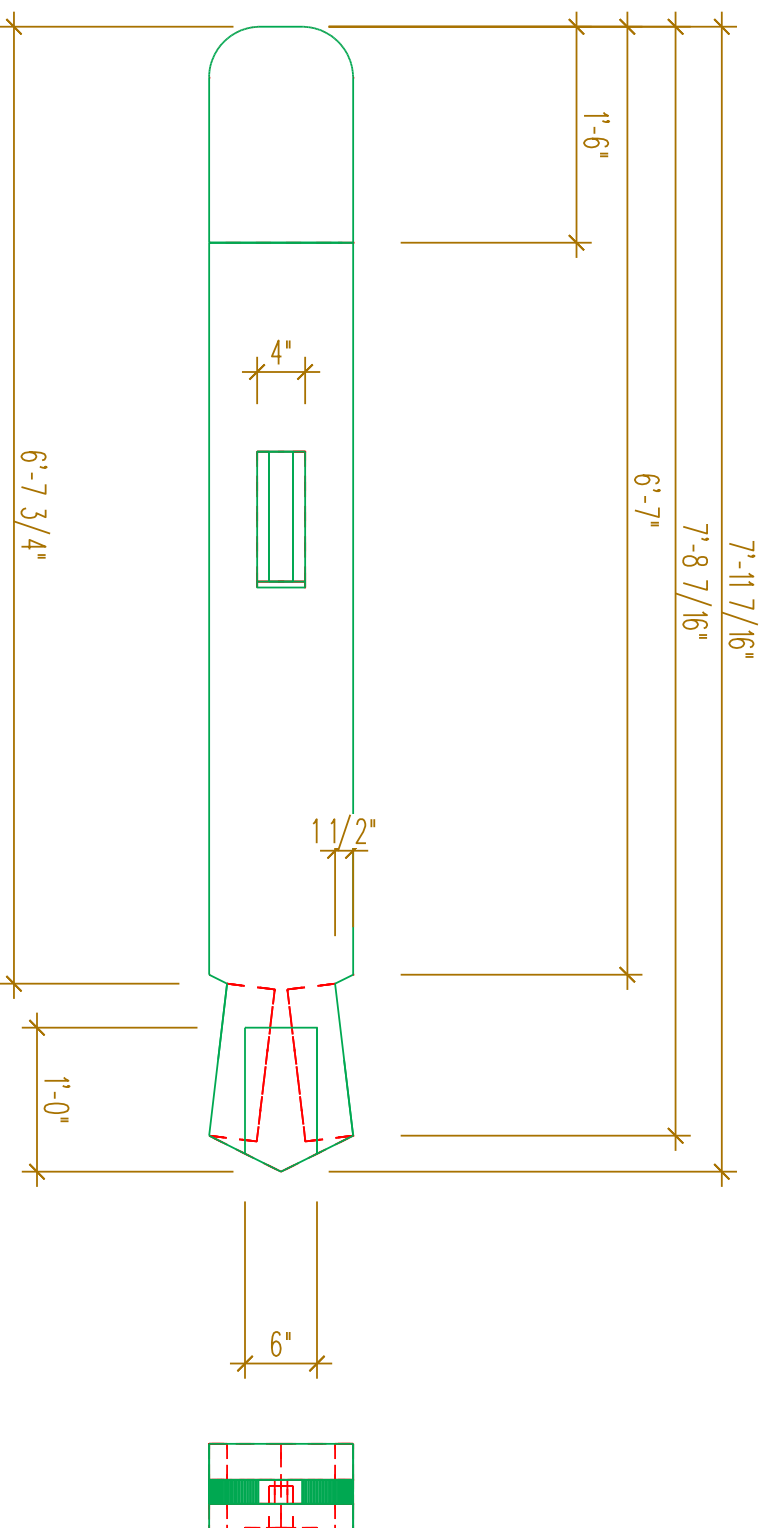
Group: **south**  
 Sub Group: :  
 Nb.Prod.List: **39**  
 Nb.Timberlist: **0**

X-Section: **8"1'-0"**  
 Length: **20'-9 1/2"**  
 Material: **SYP-2**  
 Name of 3d file: **Cama**

**Sc.: 1:16**

DW Timber Frame Design  
 Timber & SIP Design Specialist  
 Tel. 603.852.8251  
[www.timberframedesign.net](http://www.timberframedesign.net)

# Prod: 40



## KPO

Project name: :  
Project number: :  
Architect: :  
Customer: :

Description: :  
Delivery Term: :  
Comment: :

Group: :  
Sub Group: :  
Nb.Prod.List: 40  
Nb.Timberlist: 0

X-Section: 8"1'-0"  
Length: 7'-11 7/16"  
Material: SYP-2  
Name of 3d file: Cama

## Qty:1

## Sc.: 1:16

DW Timber Frame Design  
Timber & SLP Design Specialist

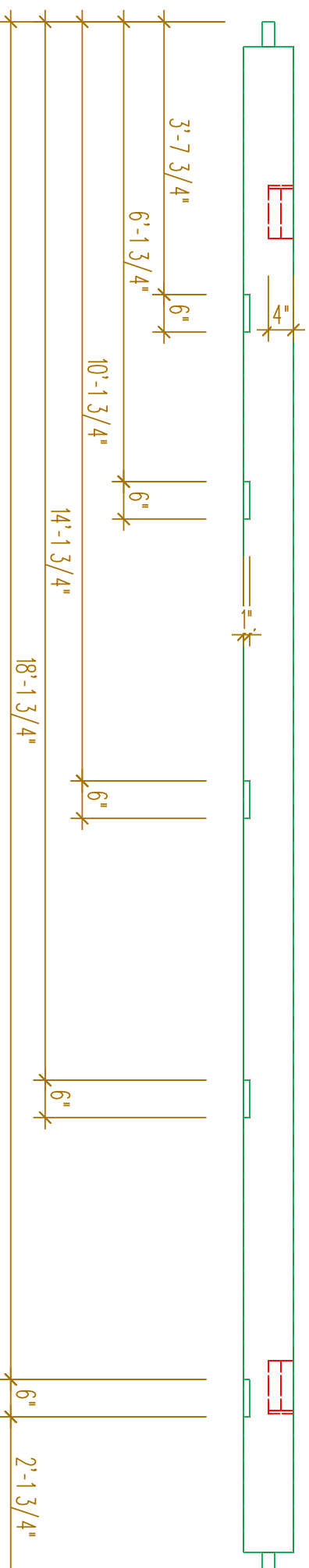
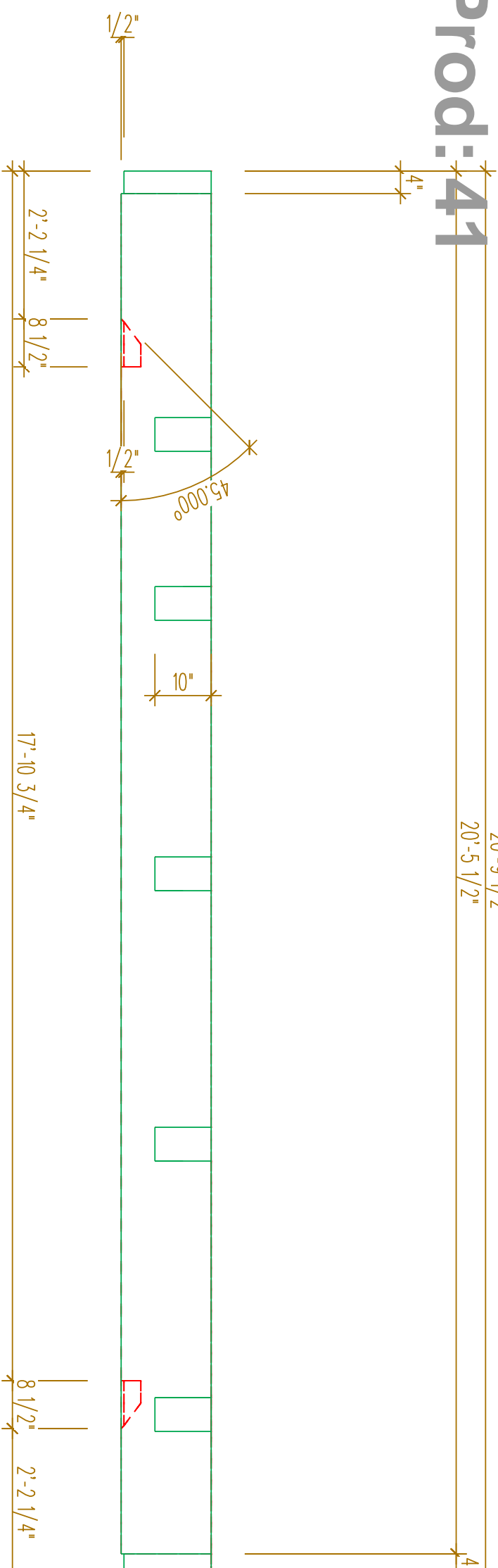
Tel. 603.852.8251  
[www.timberframedesign.net](http://www.timberframedesign.net)



# Prod: 41

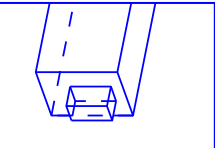
20'-9 1/2"

20'-5 1/2"



### Tenon unsym. backcut (tenon 3)

H4/2/F-5	
Form	Square
Direction	4"
Length	0"
Over length	2"
Width	0"
Over length mortise a bore	0"
Distance front bore	0"
Drilling scarf joint	0"
Pos. offset	1/2"



### Tenon unsym. backcut (tenon 3)

H4/2/F-5	
Form	Square
Direction	4"
Length	0"
Over length	2"
Width	0"
Over length mortise a bore	0"
Distance front bore	0"
Drilling scarf joint	0"
Pos. offset	1/2"



# GT

# Qty: 1

Project name: :  
Project number: :  
Architect: :  
Customer: :

Description: :  
Delivery Term: :  
Comment: :

Groupe: :  
Sub Groupe: :  
Nb.Prod.List: 41  
Nb.Timberlist: 0

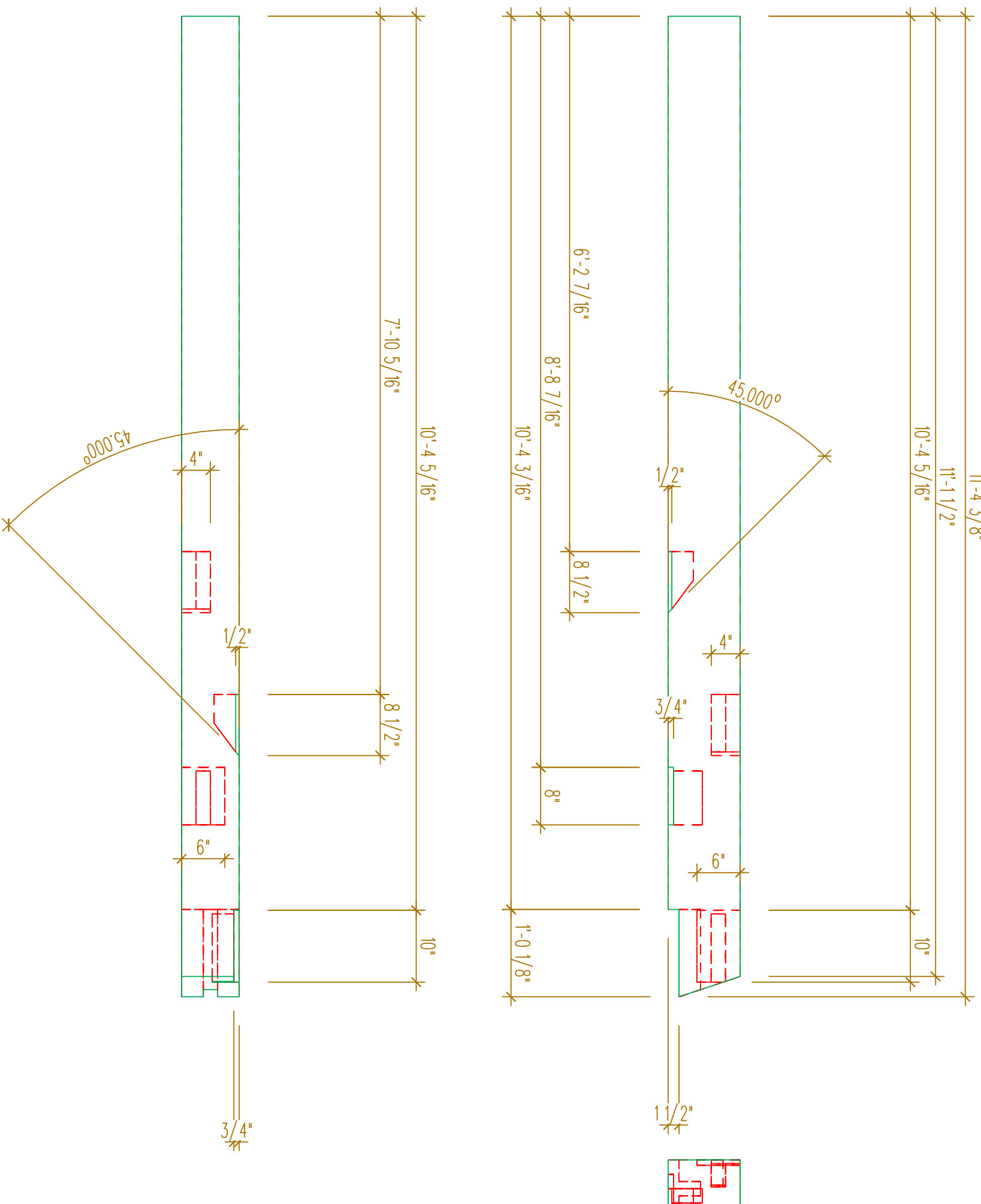
X-Section: 8" / 1'-4"  
Length: 20'-9 1/2"  
Material: SYP-2  
Name of 3d file: Cama

Sc.: 1:16

DW Timber Frame Design  
Timber & SIP Design Specialist

Tel. 603.852.8251  
[www.timberframedesign.net](http://www.timberframedesign.net)

# Prod: 42



**P**

Project name: :  
Project number: :  
Architect: :  
Customer: :

Description: :  
Delivery Term: :  
Comment: :

Group: :  
Sub Group: :  
Nb.Prod.List: 42  
Nb.Timberlist: 0

X-Section: 8"/10"  
Length: 11'-4 3/8"  
Material: SYP-2  
Name of 3d file: Cama

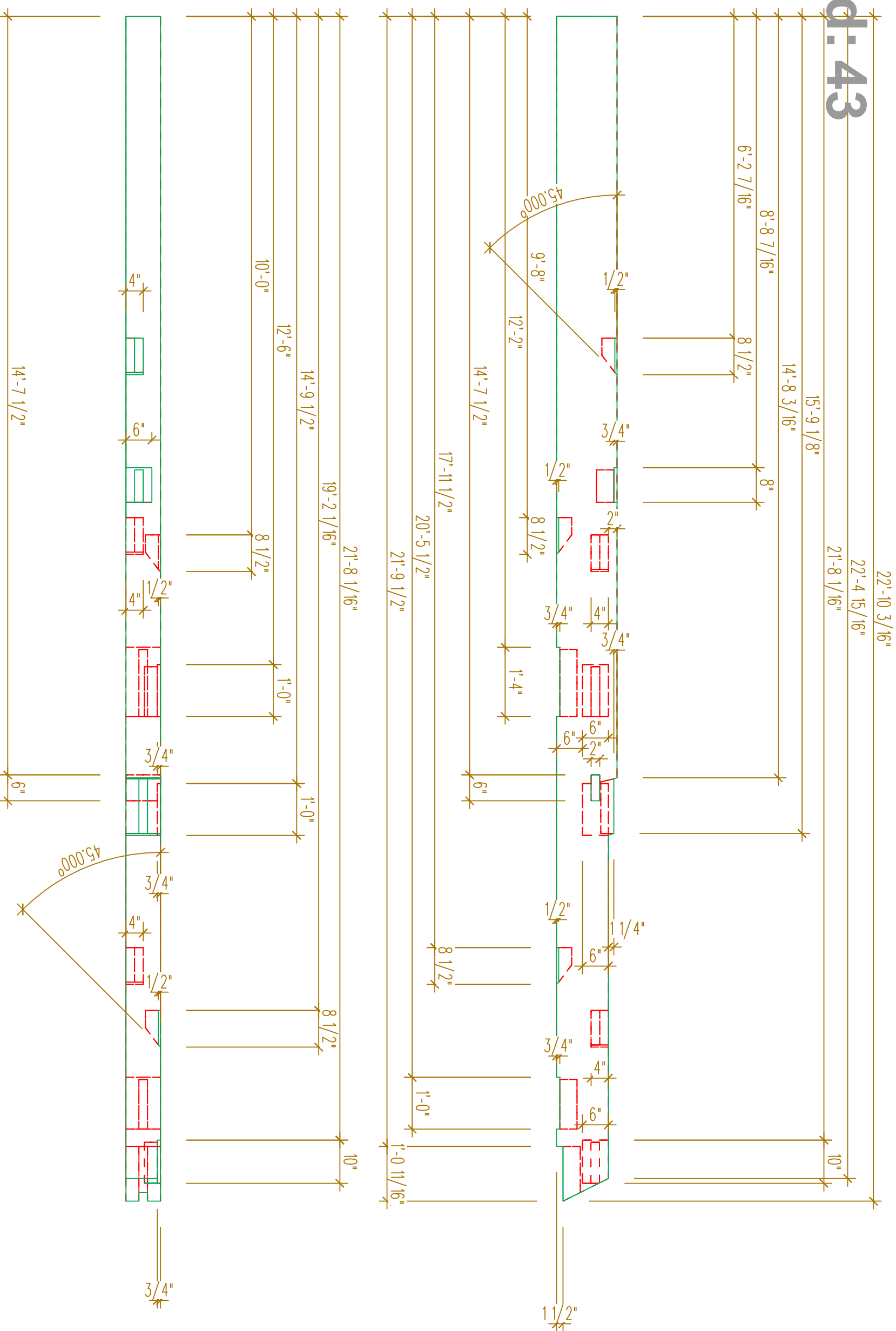
**Qty:2**

**Sc.: 1:16**

DW Timber Frame Design  
Timber & SIP Design Specialist

Tel. 603.852.8251  
www.timberframedesign.net

# Prod:43



**P**

**Qty:1**

Project name: :  
Project number: :  
Architect: :  
Customer: :

Description: :  
Delivery Term: :  
Comment: :

Group: :  
Sub Group: :  
Nb.Prod.List: 43  
Nb.Timberlist: 0

X-Section: 8"1'-2"  
Length: 22'-10 3/16"  
Material: SYP-2  
Name of 3d file: Cama  
Sc.: 1:16

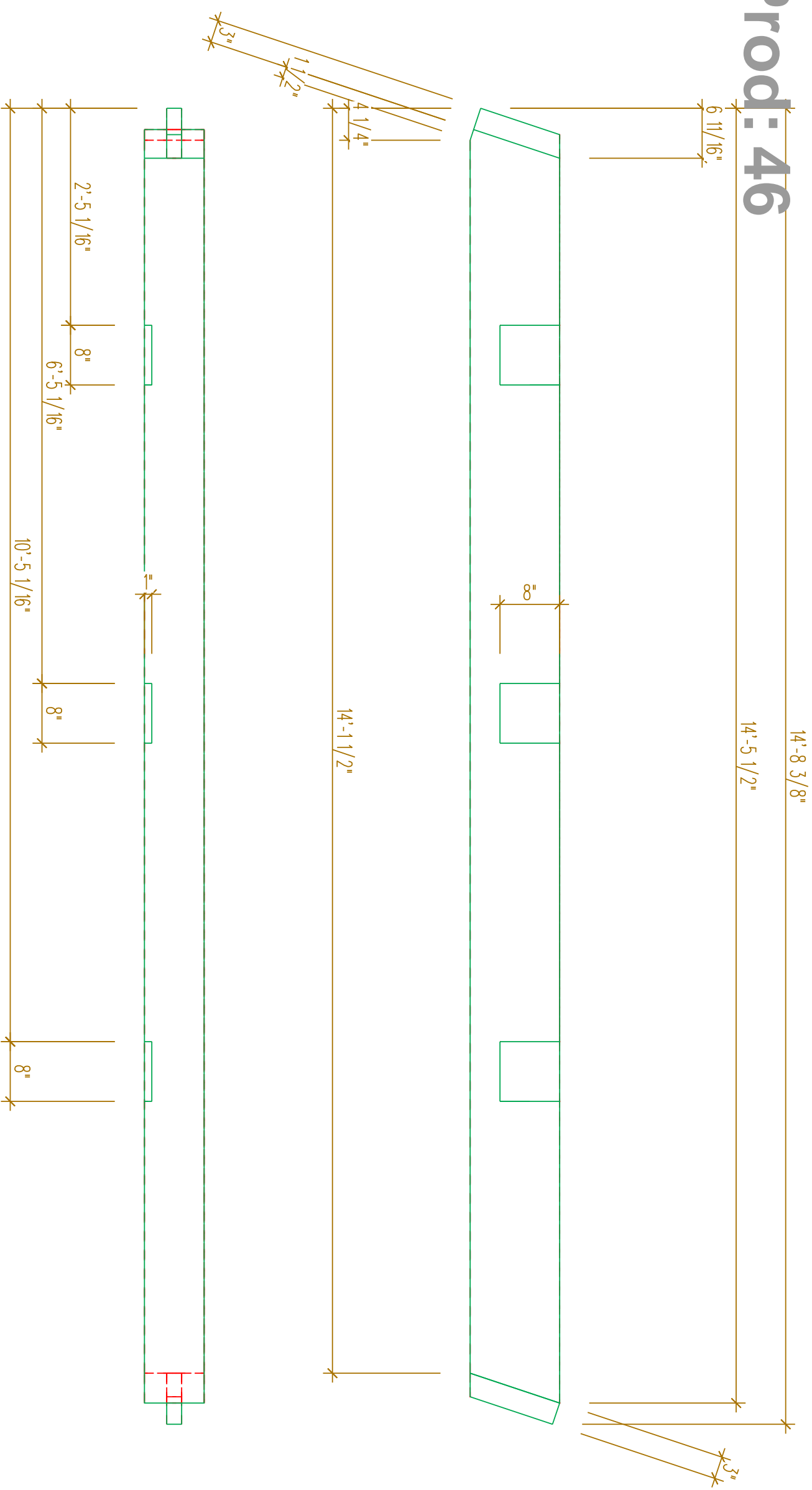
DW Timber Frame Design  
Timber & SIP Design Specialist

Tel. 603.852.8251  
www.timberframedesign.net



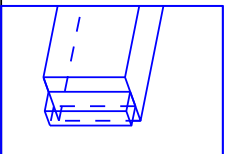


# Prod: 46



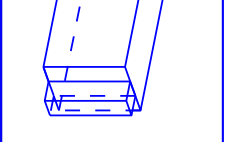
## Tenon without backcuts (tenon 1)

Form	Square
Direction	Height
Length	3"
Over length	0"
Width	2"
Over length mortise	0"
ø bore	0"
Distance front bore	0"
Drilling scarf joint	0"



## Tenon without backcuts (tenon 1)

Form	Square
Direction	Height
Length	3"
Over length	0"
Width	2"
Over length mortise	0"
ø bore	0"
Distance front bore	0"
Drilling scarf joint	0"



**R**

Project name: :  
 Project number: :  
 Architect: :  
 Customer: :

Description: :  
 Delivery Term: :  
 Comment: :

Groupes: :  
 Sub Group: :  
 Nb.Prod.List: 46  
 Nb.Timberlist: 0

**Qty:2**

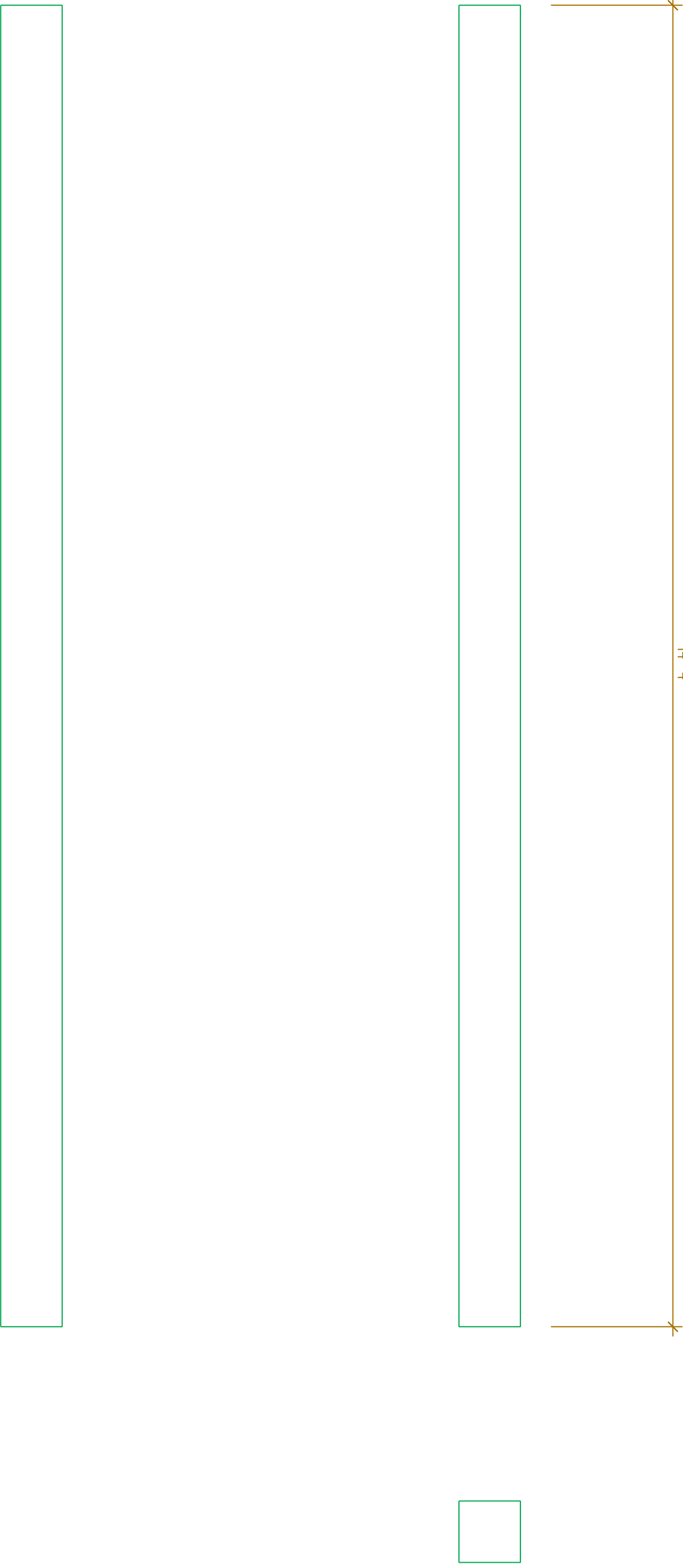
X-Section: 8"1'-0"  
 Length: 14'-8 3/8"  
 Material: SYP-2  
 Name of 3d file: Cama  
**Sc.: 1:16**

DW Timber Frame Design  
 Timber & SIP Design Specialist

Tel. 603.852.8251  
[www.timberframedesign.net](http://www.timberframedesign.net)

# Prod: 47

14'-4"



# PN

# Qty:12

Project name: :  
Project number: :  
Architect: :  
Customer: :

Description: :  
Delivery Term: :  
Comment: :

Groupe: :  
Sub Group: :  
Nb.Prod.List: 47  
Nb.Timberlist: 0

X-Section: 8"/8"  
Length: 14'-4"  
Material: SYP-2  
Name of 3d file: Cama

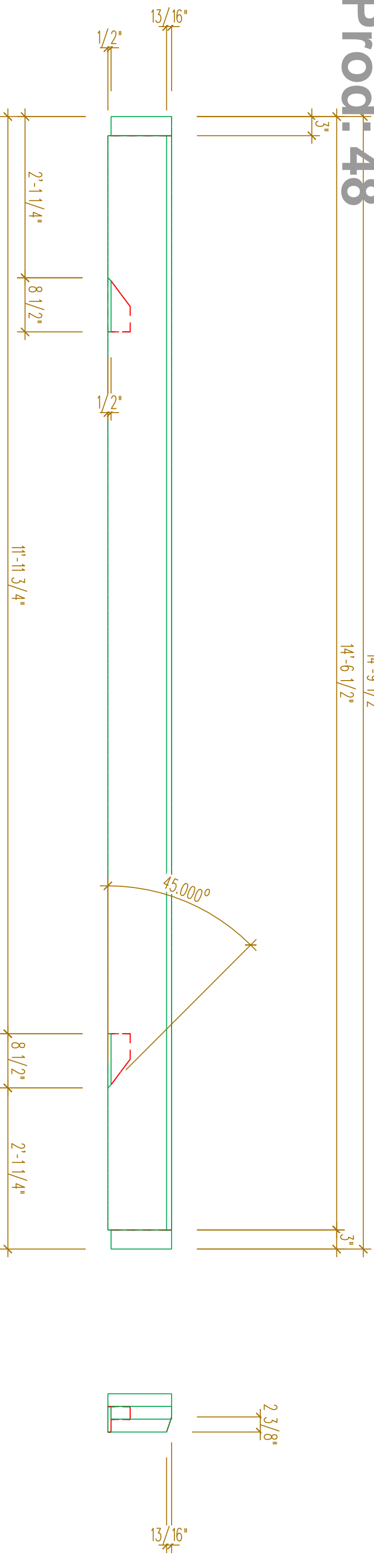
**Sc.: 1:16**

DW Timber Frame Design  
Timber & SIP Design Specialist

Tel. 603.852.8251  
[www.timberframedesign.net](http://www.timberframedesign.net)

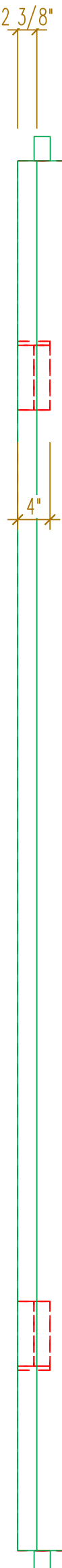
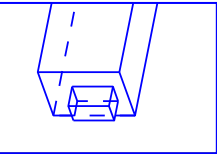
# Prod: 48

14'-9 1/2"  
14'-6 1/2"



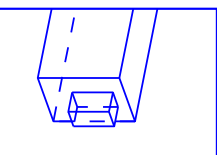
## Tenon unsym. backcut (tenon 3)

Form	Rounded
Direction	Height
Length	3"
Over length	0"
Width	2"
Over length mortise	0"
a bore	0"
Distance front bore	0"
Drilling scarf joint	0"
Pos. offset	0"
Neg. offset	1/2"



## Tenon unsym. backcut (tenon 3)

Form	Rounded
Direction	Height
Length	3"
Over length	0"
Width	2"
Over length mortise	0"
a bore	0"
Distance front bore	0"
Drilling scarf joint	0"
Pos. offset	0"
Neg. offset	1/2"



# EG

Project name: :  
Project number: :  
Architect: :  
Customer: :

Description: :  
Delivery Term: :  
Comment: :

Group: : **joist plan**  
Sub Group: :  
Nb.Prod.List: **48**  
Nb.Timberlist: **0**

X-Section: **6"/10"**  
Length: **14'-9 1/2"**  
Material: **SYP-2**  
Name of 3d file: **Camà**

# Qty:4

# Sc.: 1:16

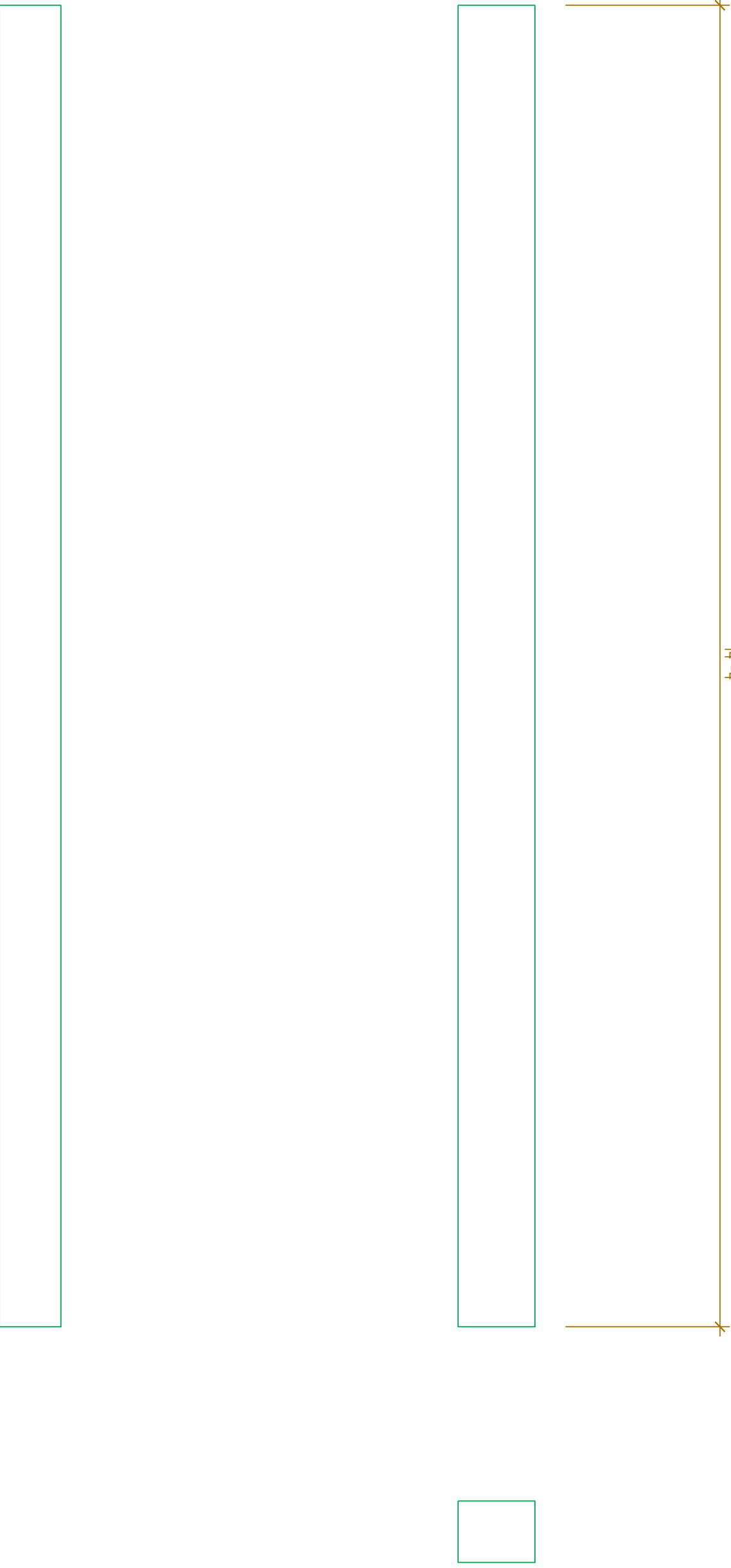
DW Timber Frame Design  
Timber & SIP Design Specialist

Tel. 603.852.8251  
[www.timberframedesign.net](http://www.timberframedesign.net)



# Prod: 49

14'-4"



## PN

Project name: :  
Project number: :  
Architect: :  
Customer: :

Description: :  
Delivery Term: :  
Comment: :

Groupe: :  
Sub Group: :  
Nb.Prod.List: 49  
Nb.Timberlist: 0

X-Section: 8"/10"  
Length: 14'-4"  
Material: SYP-2  
Name of 3d file: Cama

## Qty:8

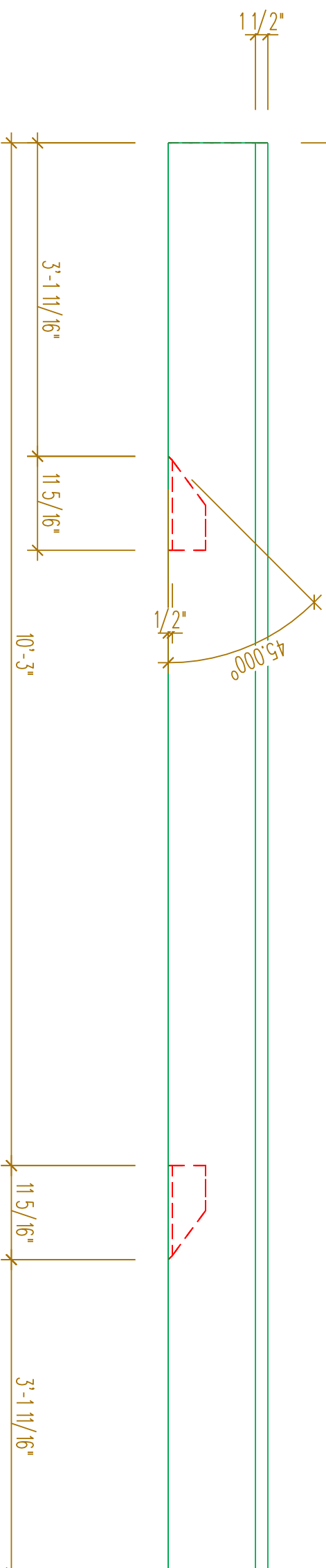
## Sc.: 1:16

DW Timber Frame Design  
Timber & SIP Design Specialist

Tel. 603.852.8251  
[www.timberframedesign.net](http://www.timberframedesign.net)

# Prod: 50

14'-4"



# RPN

# Qty: 1

Project name: :  
Project number: :  
Architect: :  
Customer: :

Description: :  
Delivery Term: :  
Comment: :

Group: : **joist plan**  
Sub Group: :  
Nb.Prod.List: **50**  
Nb.Timberlist: **0**

X-Section: **6"/1'-0"**  
Length: **14'-4"**  
Material: **SYP-2**  
Name of 3d file: **Cama**

**Sc.: 1:16**

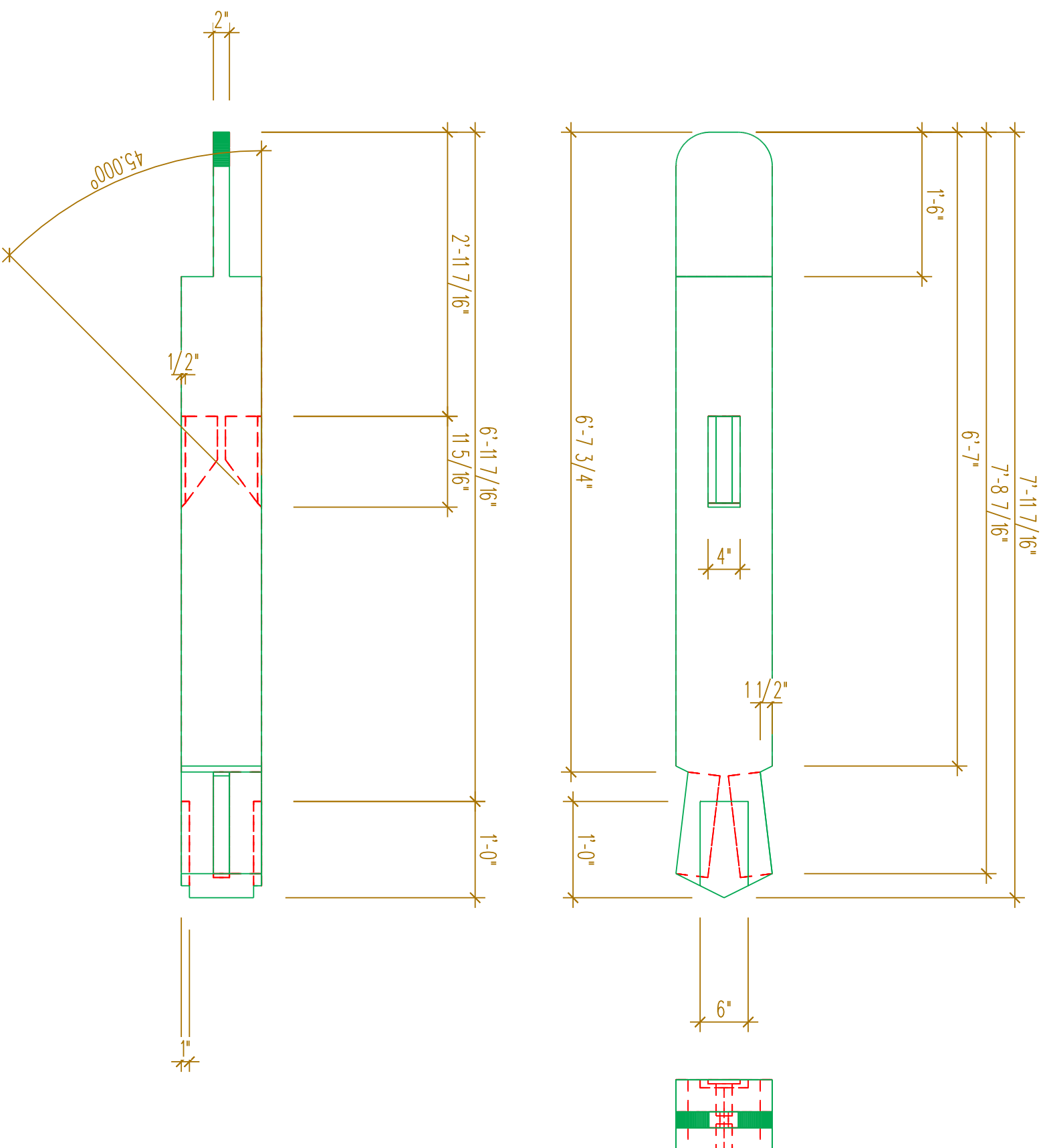
DW Timber Frame Design  
Timber & SIP Design Specialist

Tel. 603.852.8251  
[www.timberframedesign.net](http://www.timberframedesign.net)





# Prod: 53



# KPO

Project name: :  
Project number: :  
Architect: :  
Customer: :

Description: :  
Delivery Term: :  
Comment: :

Groupe: :  
Sub Group: :  
Nb.Prod.List: 53  
Nb.Timberlist: 0

X-Section: 10"1'-0"  
Length: 7'-11 7/16"  
Material: SYP-2  
Name of 3d file: Cama

# Qty:1

# Sc.: 1:16

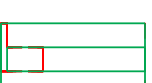
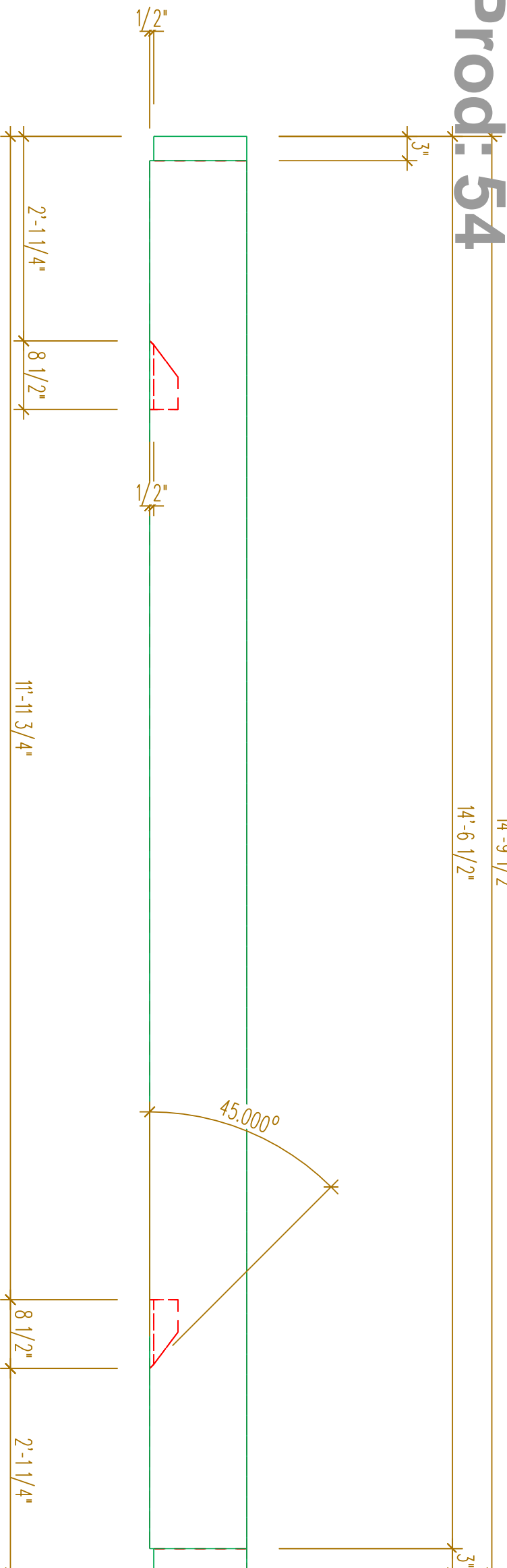
DW Timber Frame Design  
Timber & SLP Design Specialist

Tel. 603.852.8251  
[www.timberframedesign.net](http://www.timberframedesign.net)

# Prod: 54

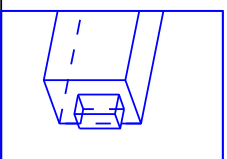
14'-9 1/2"

14'-6 1/2"



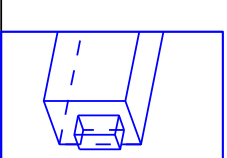
### Tenon unsym. backcut (tenon 3)

Form	H3/2/F_5
Direction	Rounded
Length	3'
Over length	0"
Width	2"
Over length mortise a bore	0"
Distance front bore	0"
Drilling scarf joint	0"
Pos. offset	0"
Neg. offset	1/2"



### Tenon unsym. backcut (tenon 3)

Form	H3/2/F_5
Direction	Rounded
Length	3'
Over length	0"
Width	2"
Over length mortise a bore	0"
Distance front bore	0"
Drilling scarf joint	0"
Pos. offset	0"
Neg. offset	1/2"



# CG

Project name: :  
Project number: :  
Architect: :  
Customer: :

Description: :  
Delivery Term: :  
Comment: :

Group: : **joist plan**  
Sub Group: :  
Nb.Prod.List: **54**  
Nb.Timberlist: **0**

X-Section: **6"1'-0"**  
Length: **14'-9 1/2"**  
Material: **SYP-2**  
Name of 3d file: **Cam**

# Qty:4

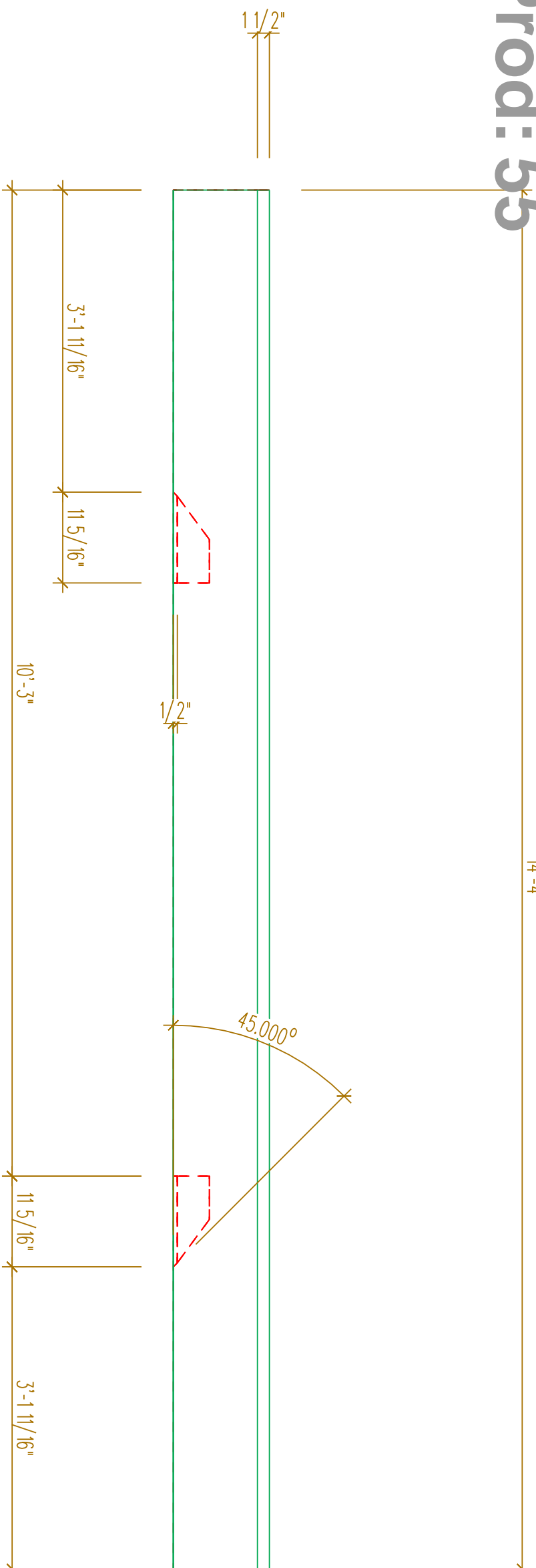
# Sc.: 1:16

DW Timber Frame Design  
Timber & SIP Design Specialist

Tel. 603.852.8251  
[www.timberframedesign.net](http://www.timberframedesign.net)

# Prod: 55

14'-4"



# RPN

# Qty:1

Project name: :  
Project number: :  
Architect: :  
Customer: :

Description: :  
Delivery Term: :  
Comment: :

Group: : **joist plan**  
Sub Group: :  
Nb.Prod.List: **55**  
Nb.Timberlist: **0**

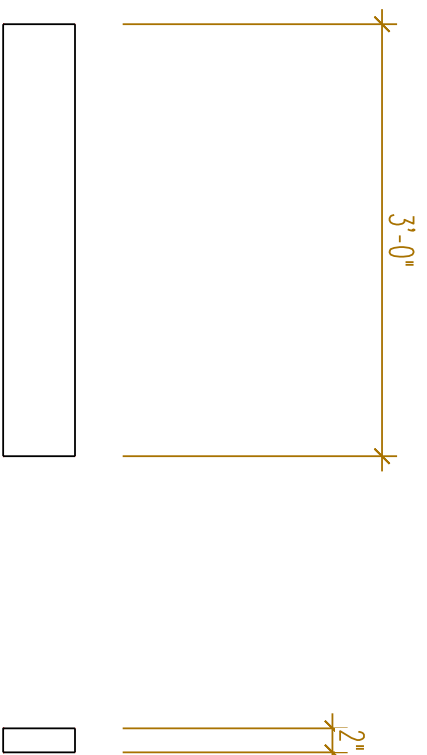
X-Section: **6"/1'-0"**  
Length: **14'-4"**  
Material: **SYP-2**  
Name of 3d file: **Cama**

**Sc.: 1:16**

DW Timber Frame Design  
Timber & SLP Design Specialist

Tel. 603.852.8251  
[www.timberframedesign.net](http://www.timberframedesign.net)

# Prod: 56



## spline

Project name: :  
Project number: :  
Architect: :  
Customer: :

Description: :  
Delivery Term: :  
Comment: :

Groupe: **east**  
Sub Group: :  
Nb.Prod.List: **56**  
Nb.Timberlist: **0**

## Qty:6

X-Section: **2"/6"**  
Length: **3'-0"**  
Material: **OAK**  
Name of 3d file: **Cama**

**Sc.: 1 : 16**

DW Timber Frame Design  
Timber & SIP Design Specialist

Tel. 603.852.8251  
[www.timberframedesign.net](http://www.timberframedesign.net)