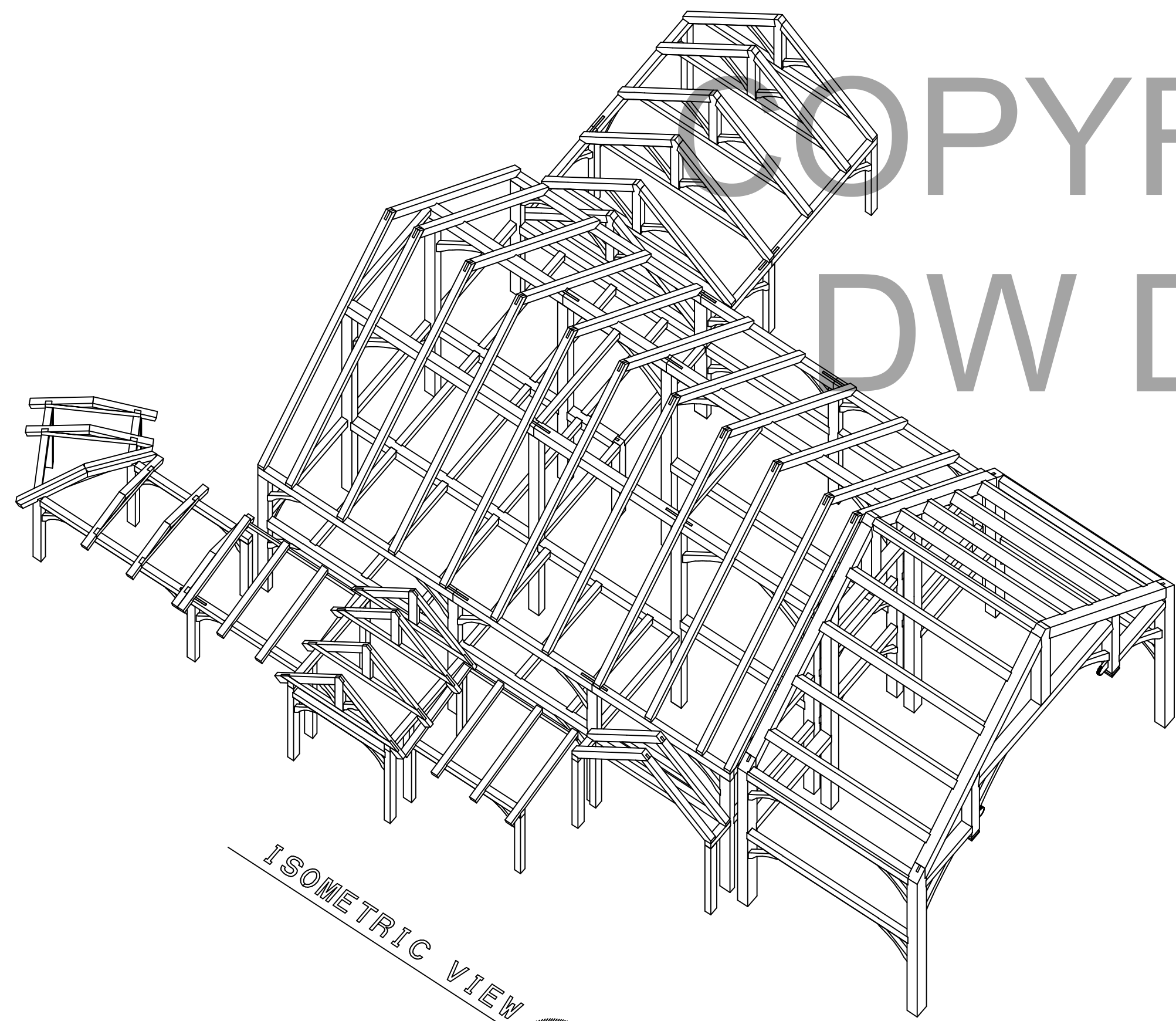
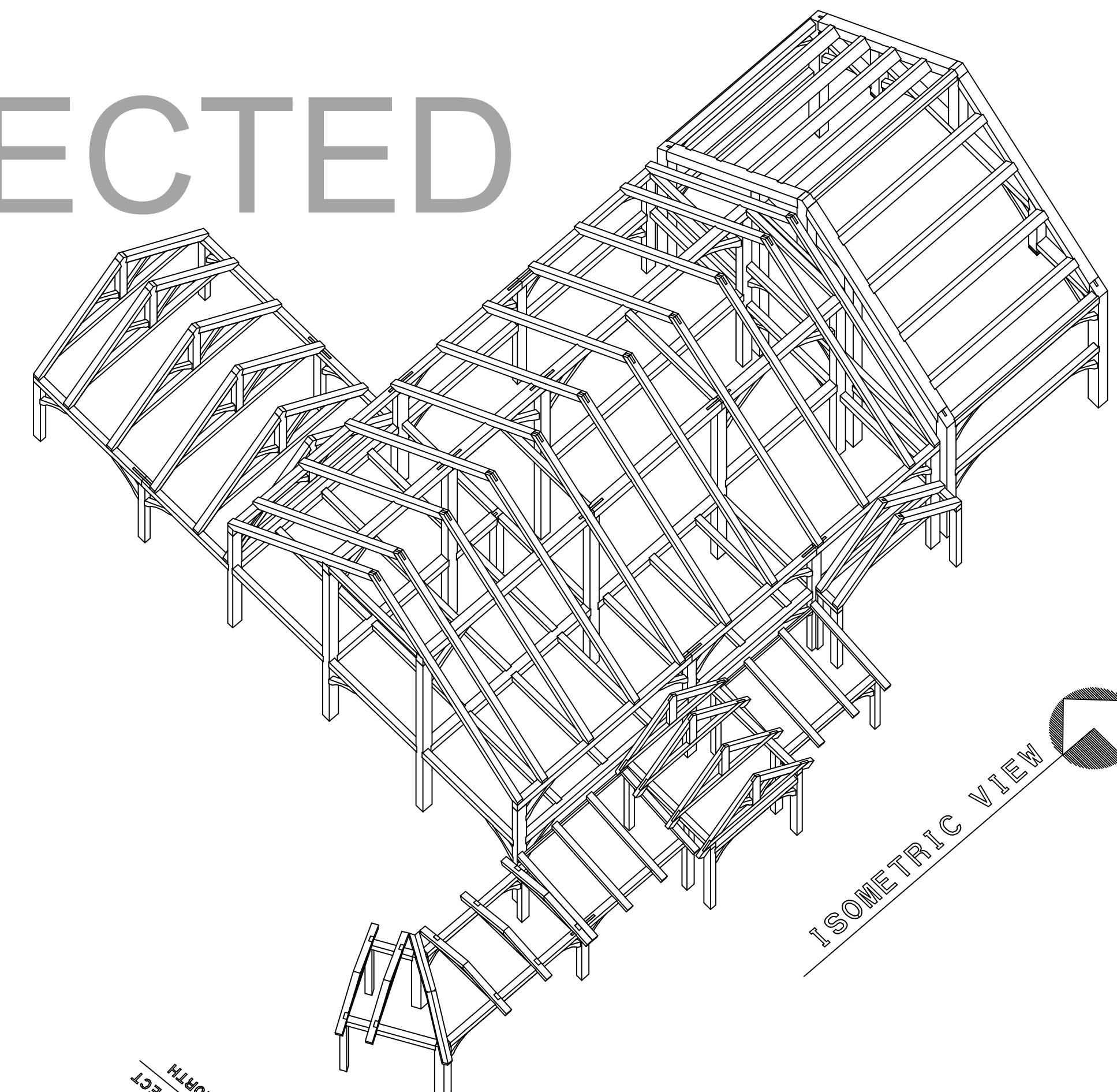


COPYRIGHT PROTECTED DW DESIGN

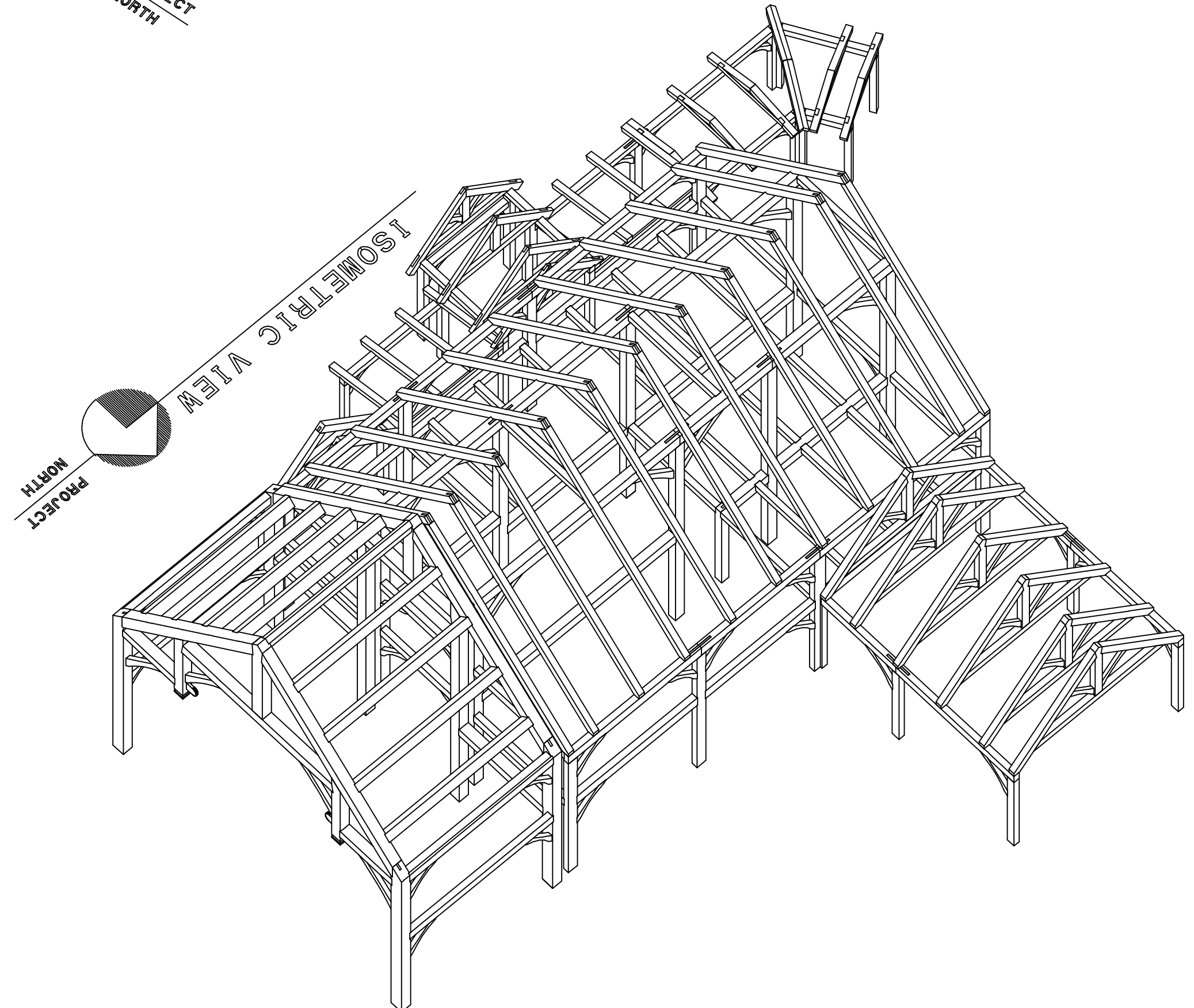


ISOMETRIC VIEW
PROJECT NORTH

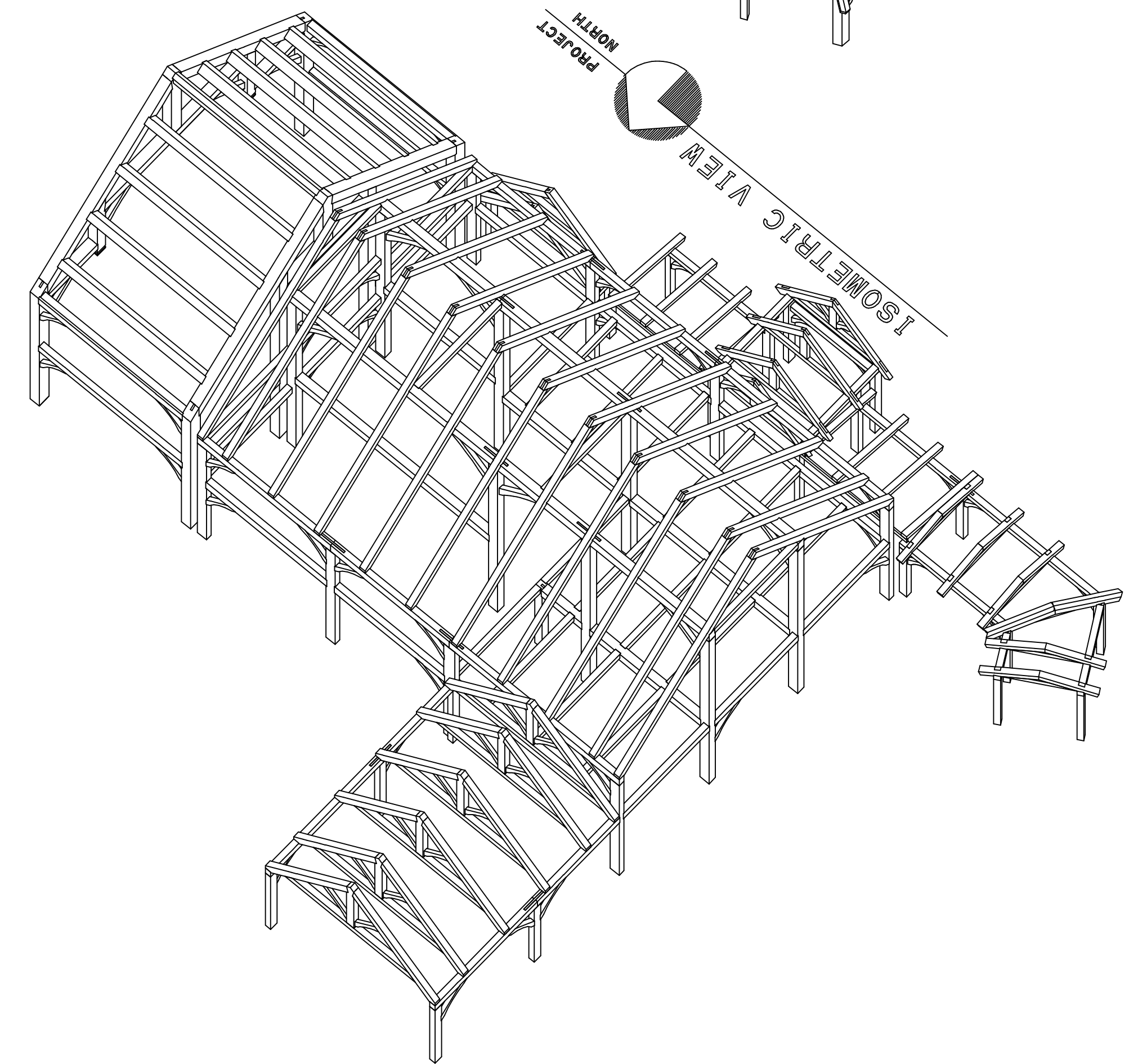


ISOMETRIC VIEW
PROJECT NORTH

*MCCLAIN RESIDENCE
UNICOI, TN*



ISOMETRIC VIEW
PROJECT NORTH



ISOMETRIC VIEW
PROJECT NORTH

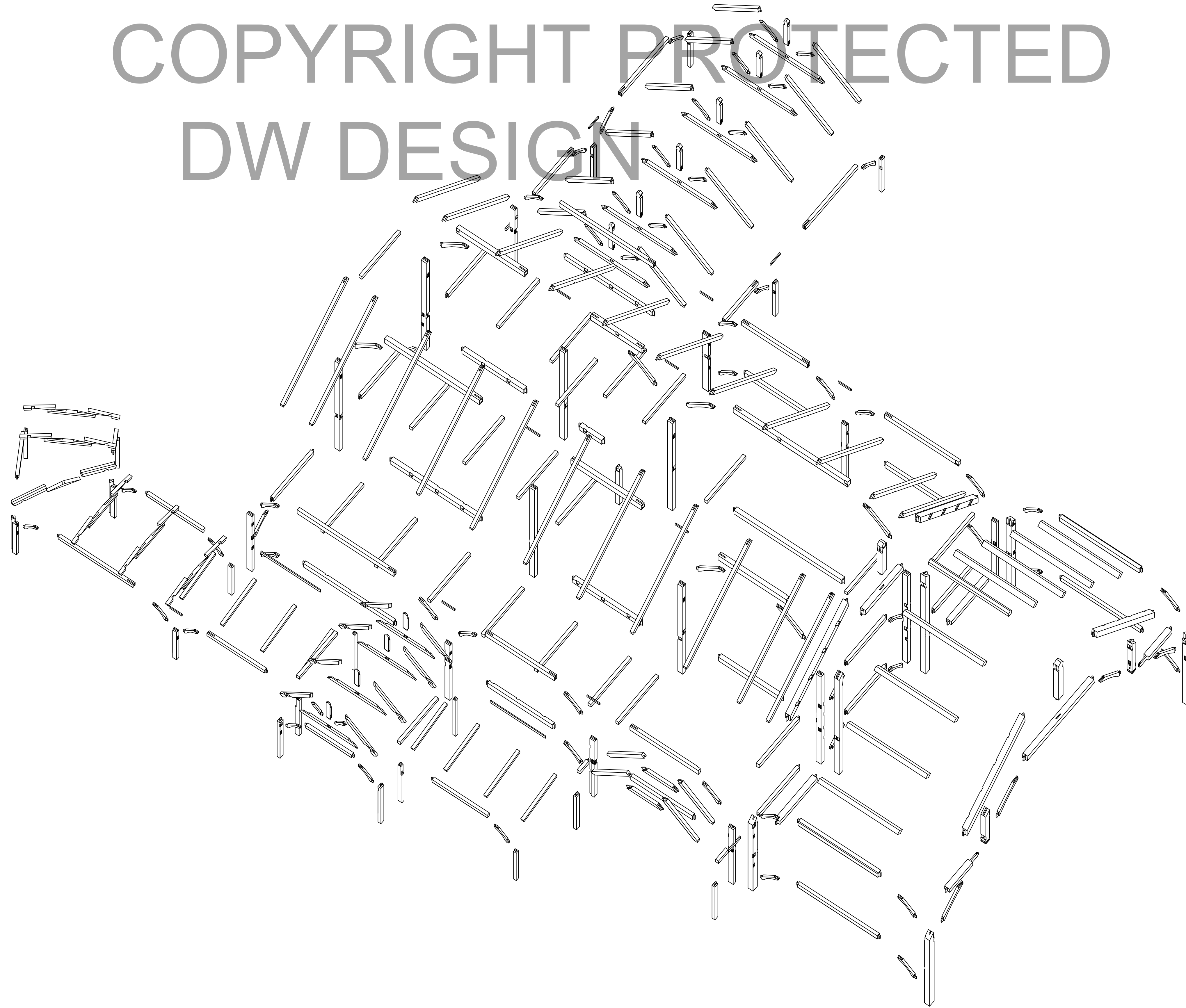
COPYRIGHT LAWS PROHIBIT REPRODUCTION OR USE OF THIS DRAWING, IN WHOLE OR IN PART, WITHOUT THE EXPRESSED WRITTEN PERMISSION OF DW TIMBER FRAME DESIGN

DO NOT SCALE DIMENSIONS ON THESE DRAWINGS. THESE IMAGES ARE MACHINE REPRODUCTIONS AND MAY CONTAIN A MARGIN OF ERROR.

DW TIMBER FRAME DESIGN

CUSTOMER: MCCLAIN	DRAWN BY: DEW	DRAWING NUMBER: <i>ISO</i>
DRAWING: ISOMETRIC VIEW	REVISIONS:	
SCALE: NOT TO SCALE DATE: 4/2/16	PROJECT NUMBER:	

COPYRIGHT PROTECTED DW DESIGN



COPYRIGHT LAWS PROHIBIT REPRODUCTION OR USE OF THIS DRAWING, IN WHOLE OR IN PART, WITHOUT THE EXPRESSED WRITTEN PERMISSION OF DW TIMBER FRAME DESIGN

DO NOT SCALE DIMENSIONS ON THESE DRAWINGS. THESE IMAGES ARE MACHINE REPRODUCTIONS AND MAY CONTAIN A MARGIN OF ERROR.

DW TIMBER FRAME DESIGN

CUSTOMER: MCCLAIN

DRAWN BY: DEW

DRAWING NUMBER:

DRAWING: ISOMETRIC VIEW

REVISIONS:

XISO

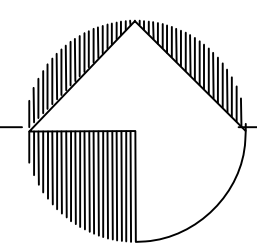
SCALE: NOT TO SCALE DATE: 4/2/16

PROJECT NUMBER:

COPYRIGHT PROTECTED DW DESIGN

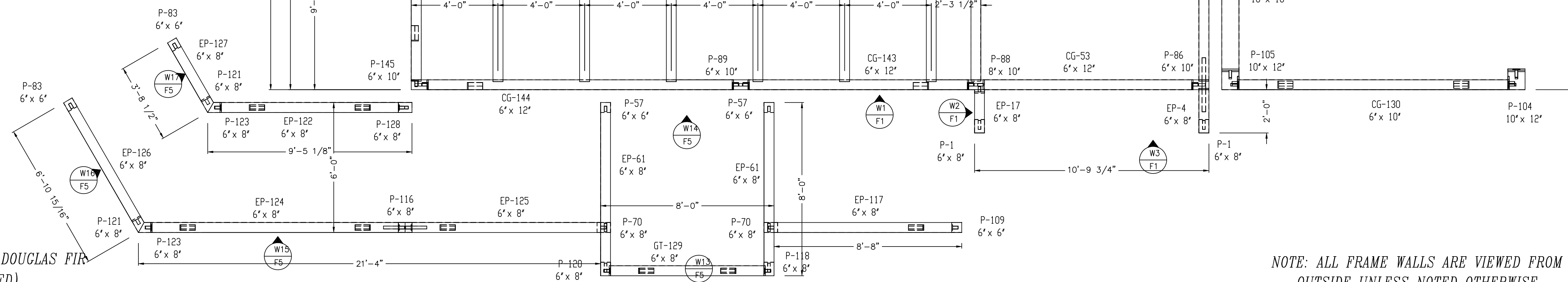
ALL DOUGLAS FIR TIMBERS
ARE NOMINAL SIZE
(example 6x8 = 5 1/2 x 7 1/2)
(EXCEPT BRACES)

POST PLAN & WALL KEY



PROJECT
NORTH

- BT = BAY TIE
- CT = COLLAR TIE
- CC = CONNECTING GIRT
- EG = EAVE GIRT
- EP = EAVE PLATE
- FG = FLOOR GIRT
- GT = GABLE TIE
- HB = HAMMER BEAM
- HP = HAMMER POST
- HR = HIP RAFTER
- J = JOIST
- LDC = LEDGER
- KPO = KING POST
- P = POST
- PR = PORCH RAFTER
- PT = PURLIN TIE
- PN = BENT PURLIN
- PLN = PRINCIPLE PURLIN
- R = RAFTER
- RB = RIDGE BEAM
- RPN = RIDGE PURLIN
- S = SILL PLATE
- SB = SHORT BRACE
- VR = VALLEY RAFTER



ALL FRAME MEMBERS ARE OF STRUCTURAL DOUGLAS FIR
(SUBSTITUTE SPECIES WILL BE NOTED)

NOTE: ALL FRAME WALLS ARE VIEWED FROM
OUTSIDE UNLESS NOTED OTHERWISE

COPYRIGHT LAWS PROHIBIT REPRODUCTION OR USE OF THIS DRAWING,
IN WHOLE OR IN PART, WITHOUT THE EXPRESSED WRITTEN PERMISSION
OF DW TIMBER FRAME DESIGN

DO NOT SCALE DIMENSIONS ON THESE
DRAWINGS. THESE IMAGES ARE
MACHINE REPRODUCTIONS AND MAY
CONTAIN A MARGIN OF ERROR.

DW TIMBER FRAME DESIGN

CUSTOMER: MCCLAIN

DRAWN BY: DEW

DRAWING: POST PLAN, WALL KEY

REVISIONS:

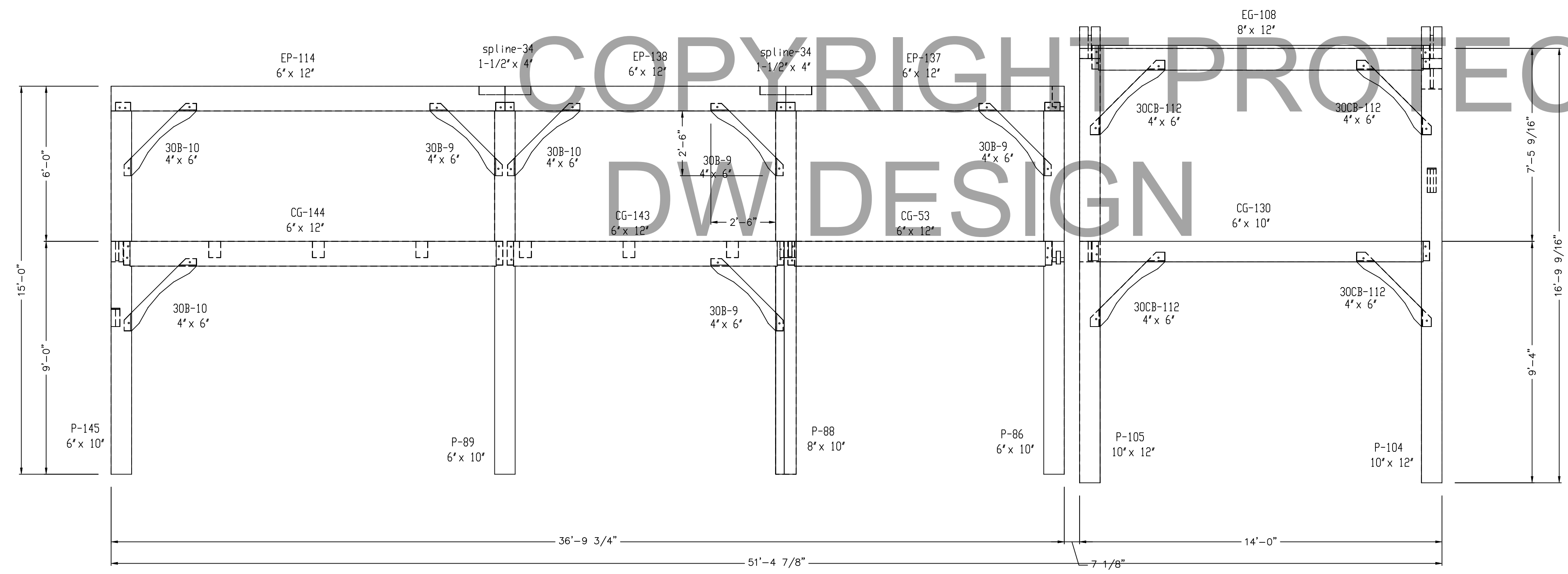
SCALE: 3/8" = 1' - 0" DATE: 4/2/16

PROJECT NUMBER:

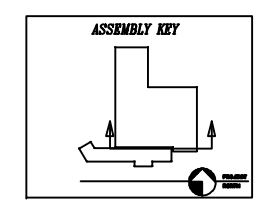
DRAWING
NUMBER:

PP

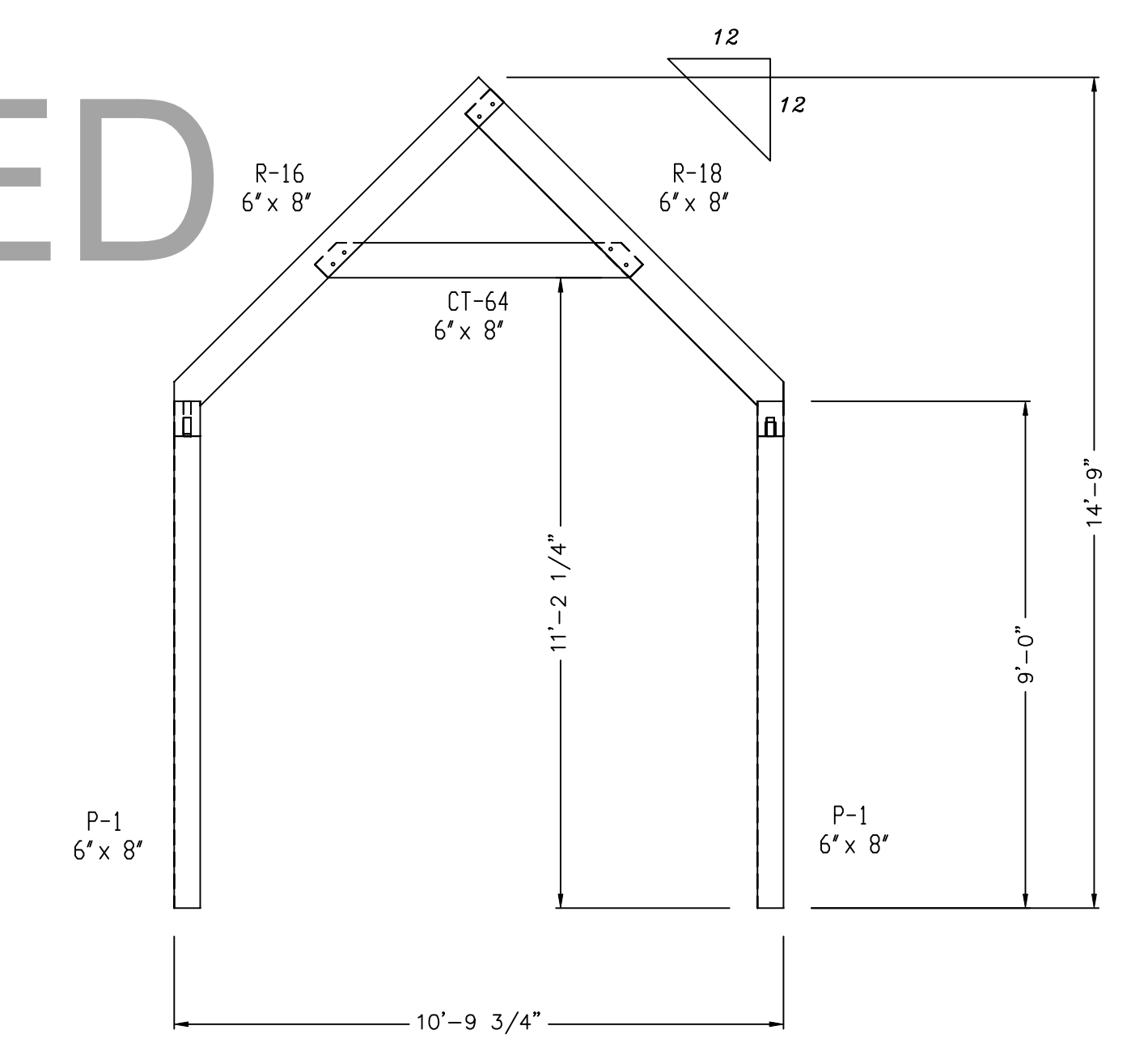
COPYRIGHT PROTECTED
DW DESIGN



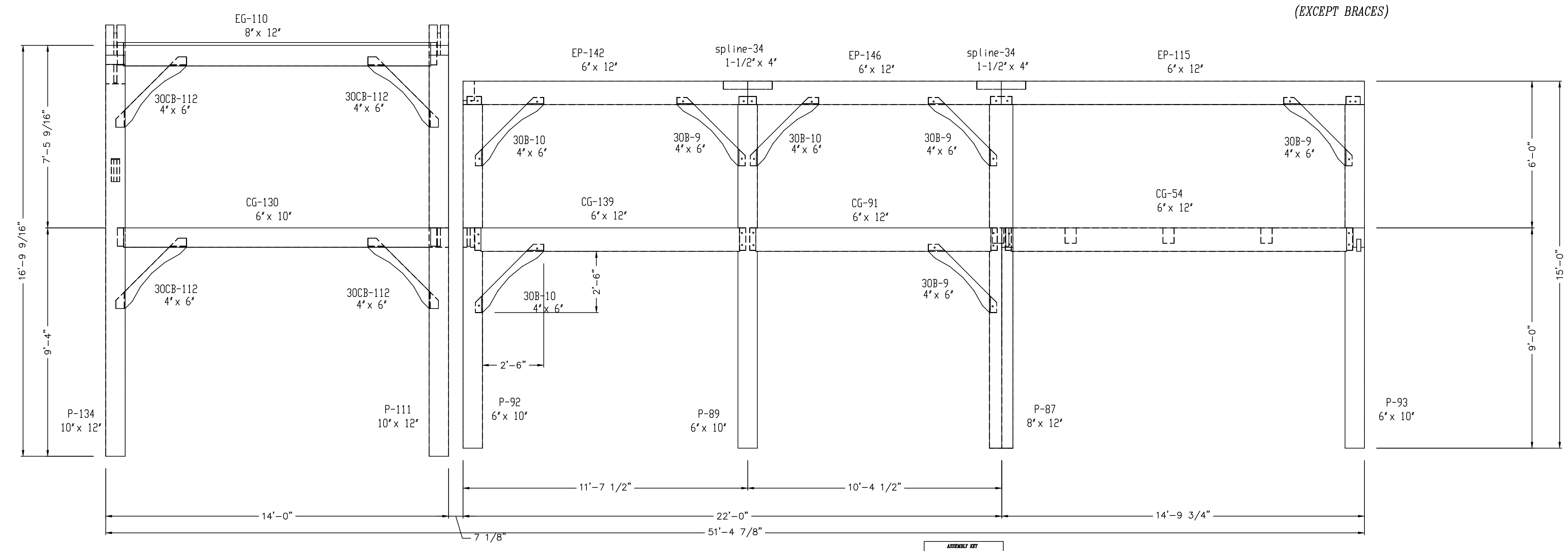
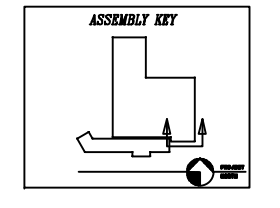
WALL 1
SOUTH ELEVATION



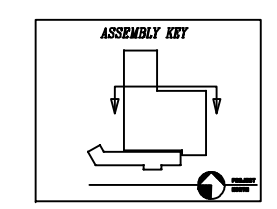
ALL DOUGLAS FIR TIMBERS
ARE NOMINAL SIZE
(example 6x8 = 5 1/2 x 7 1/2)
(EXCEPT BRACES)



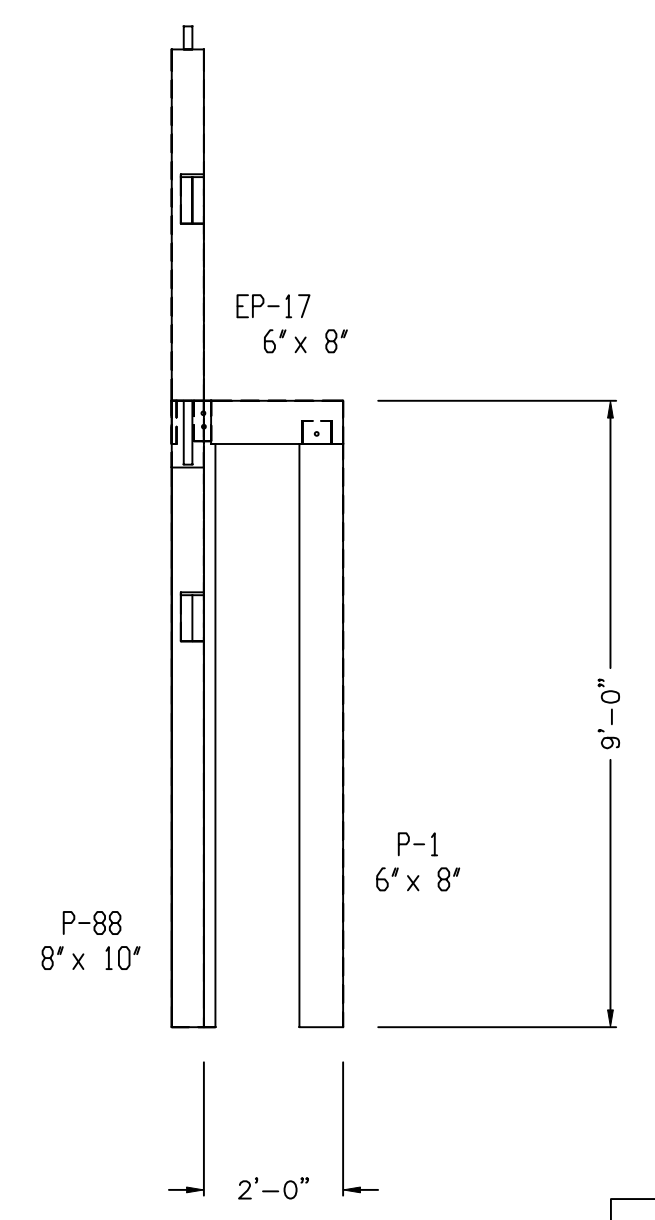
WALL 3
SOUTH ELEVATION



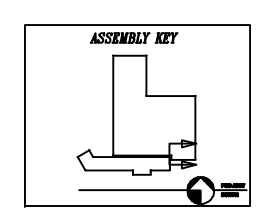
WALL 7
NORTH ELEVATION



- BT = BAY TIE
- CT = COLLAR TIE
- CG = CONNECTING GIRT
- EC = EAVE GIRT
- EP = EAVE PLATE
- FC = FLOOR GIRT
- GT = GABLE TIE
- HB = HAMMER BEAM
- HP = HAMMER POST
- HR = HIP RAFTER
- J = JOIST
- LDC = LEDGER
- KPO = KING POST
- P = POST
- PR = PORCH RAFTER
- PT = PURLIN TIE
- PN = BENT PURLIN
- PLN = PRINCIPLE PURLIN
- R = RAFTER
- RB = RIDGE BEAM
- RPN = RIDGE PURLIN
- S = SILL PLATE
- SB = SHORT BRACE
- VR = VALLEY RAFTER



WALL 2
WEST ELEVATION



ALL FRAME MEMBERS ARE OF STRUCTURAL DOUGLAS FIR
(SUBSTITUTE SPECIES WILL BE NOTED)

NOTE: ALL FRAME WALLS ARE VIEWED FROM
OUTSIDE UNLESS NOTED OTHERWISE

COPYRIGHT LAWS PROHIBIT REPRODUCTION OR USE OF THIS DRAWING,
IN WHOLE OR IN PART, WITHOUT THE EXPRESSED WRITTEN PERMISSION
OF DW TIMBER FRAME DESIGN

DO NOT SCALE DIMENSIONS ON THESE
DRAWINGS. THESE IMAGES ARE
MACHINE REPRODUCTIONS AND MAY
CONTAIN A MARGIN OF ERROR.

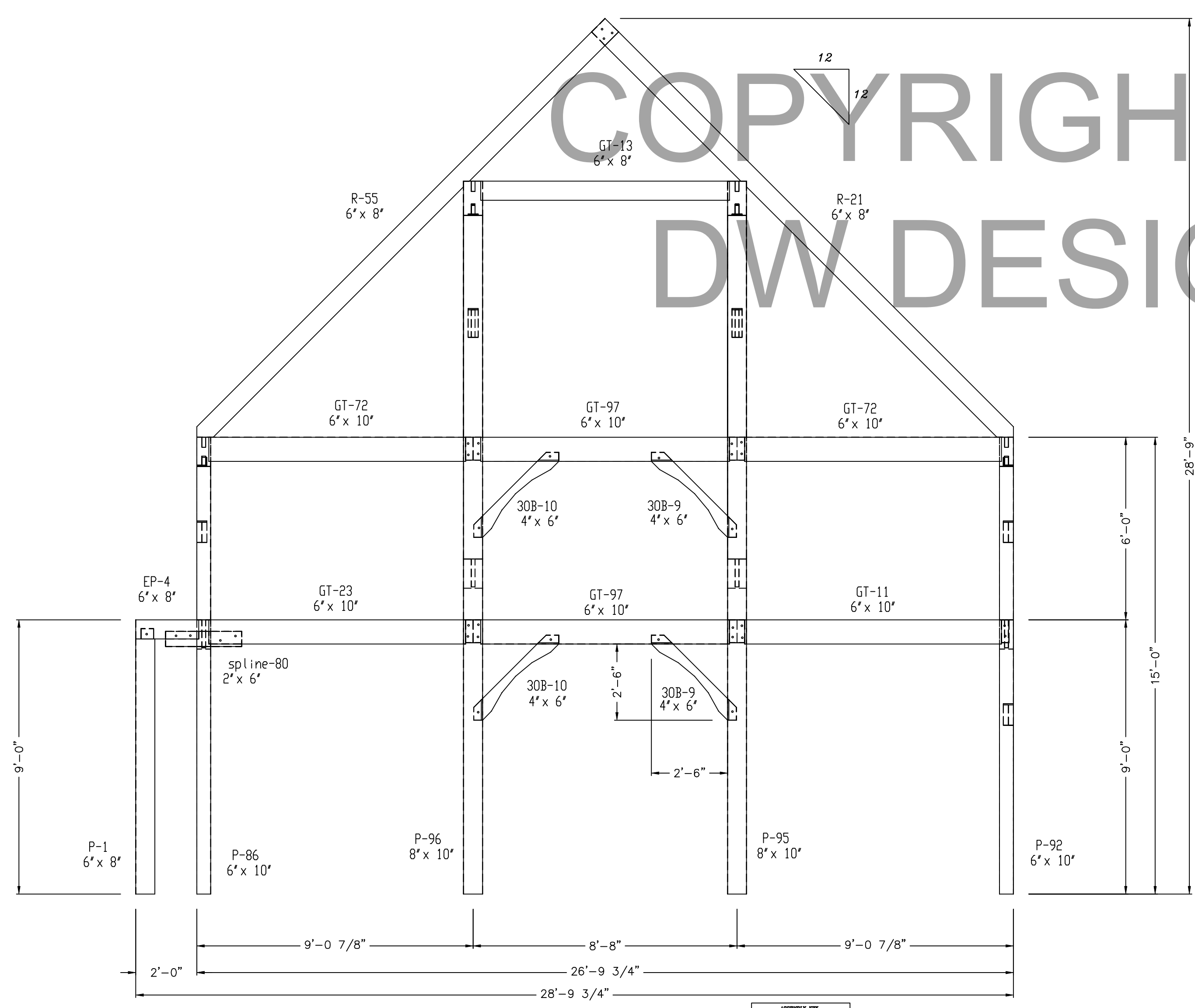
DW TIMBER FRAME DESIGN

CUSTOMER: MCCLAIN	DRAWN BY: DEW	DRAWING NUMBER:
DRAWING: WALL 1, 2, 3, 7	REVISIONS:	F1
SCALE: 3/8" = 1' - 0"	DATE: 4/2/16	

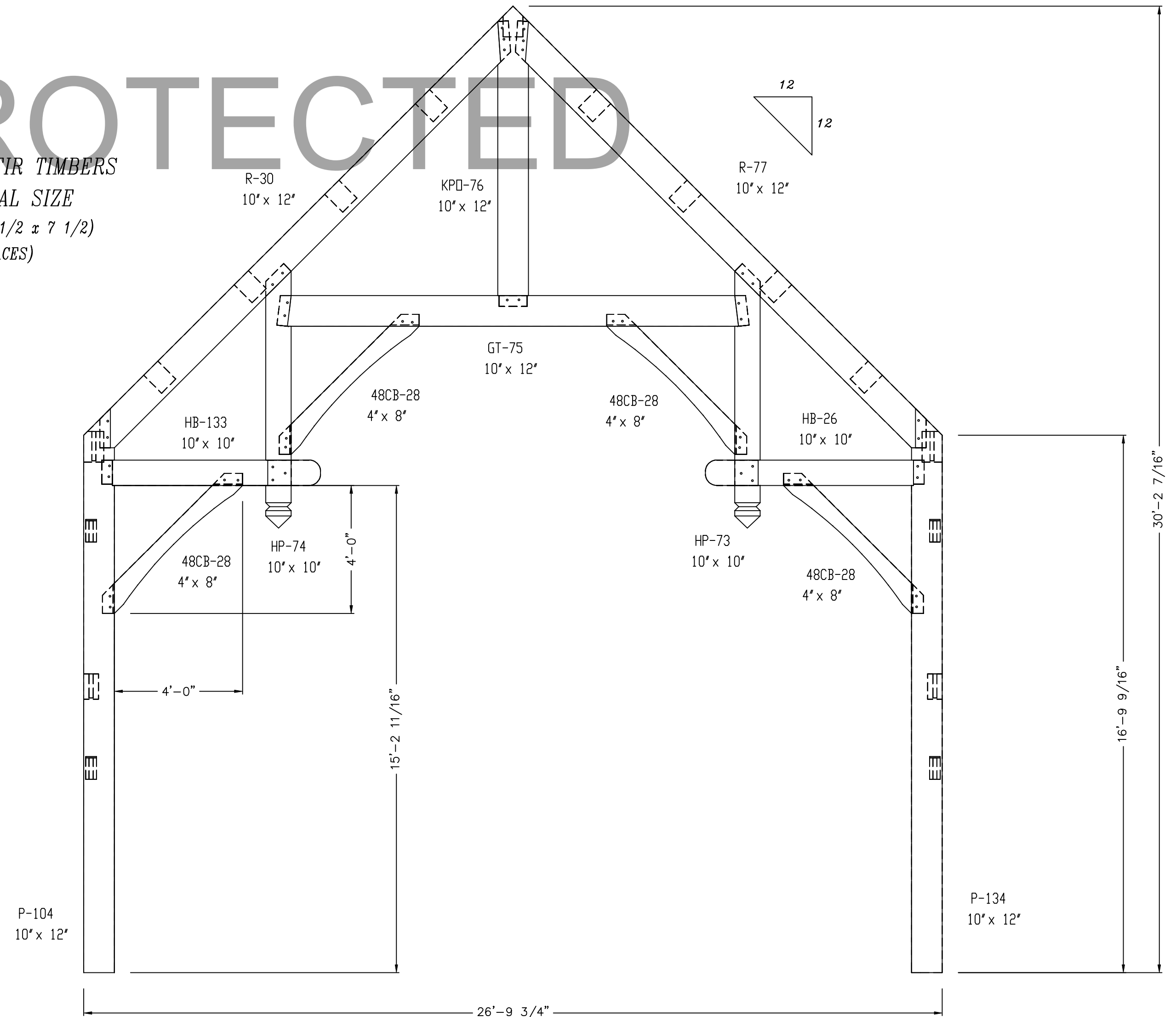
COPYRIGHT PROTECTED
DW DESIGN

ALL DOUGLAS FIR TIMBERS
ARE NOMINAL SIZE
(example 6x8 = 5 1/2 x 7 1/2)
(EXCEPT BRACES)

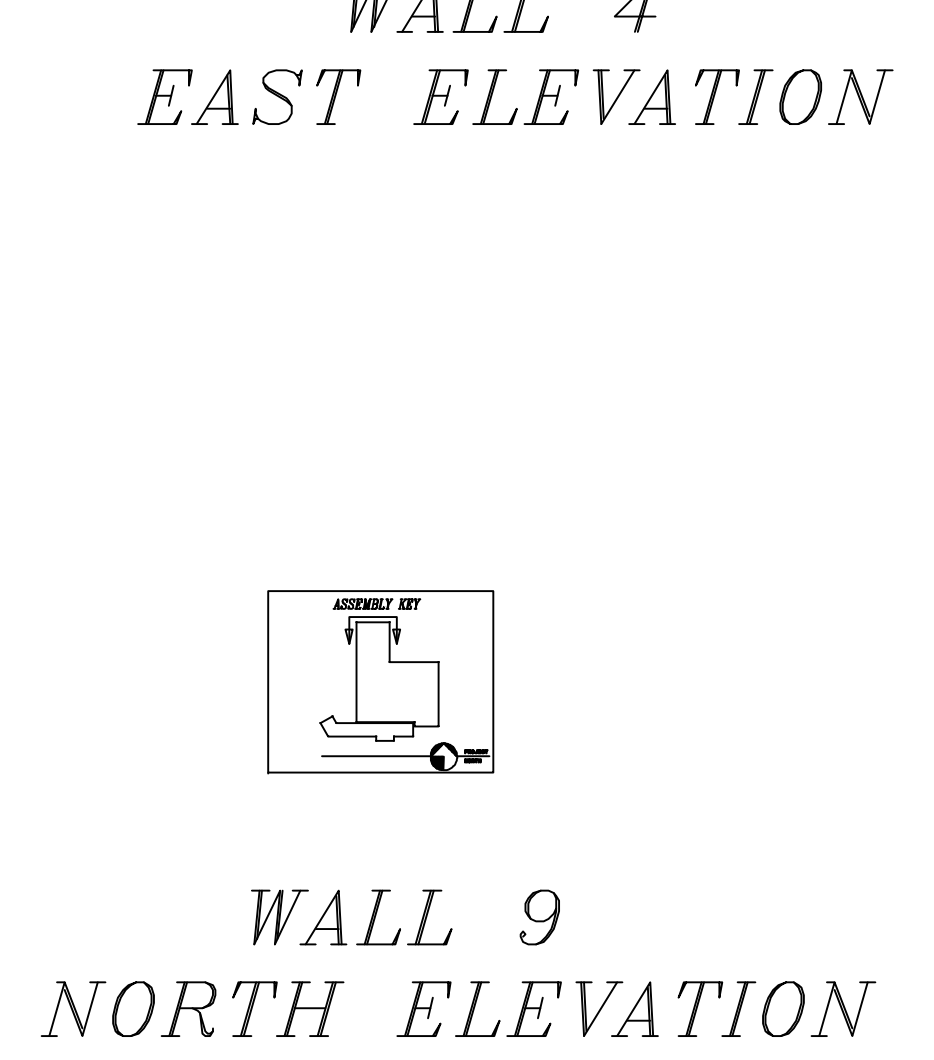
- BT = BAY TIE
- CT = COLLAR TIE
- CC = CONNECTING GIRT
- EC = EAVE GIRT
- EP = EAVE PLATE
- FC = FLOOR GIRT
- CT = CABLE TIE
- HB = HAMMER BEAM
- HP = HAMMER POST
- HR = HIP RAFTER
- J = JOIST
- LDC = LEDGER
- KPO = KING POST
- P = POST
- PR = PORCH RAFTER
- PT = PURLIN TIE
- PN = BENT PURLIN
- PLN = PRINCIPLE PURLIN
- R = RAFTER
- RB = RIDGE BEAM
- RPN = RIDGE PURLIN
- S = SILL PLATE
- SB = SHORT BRACE
- VR = VALLEY RAFTER



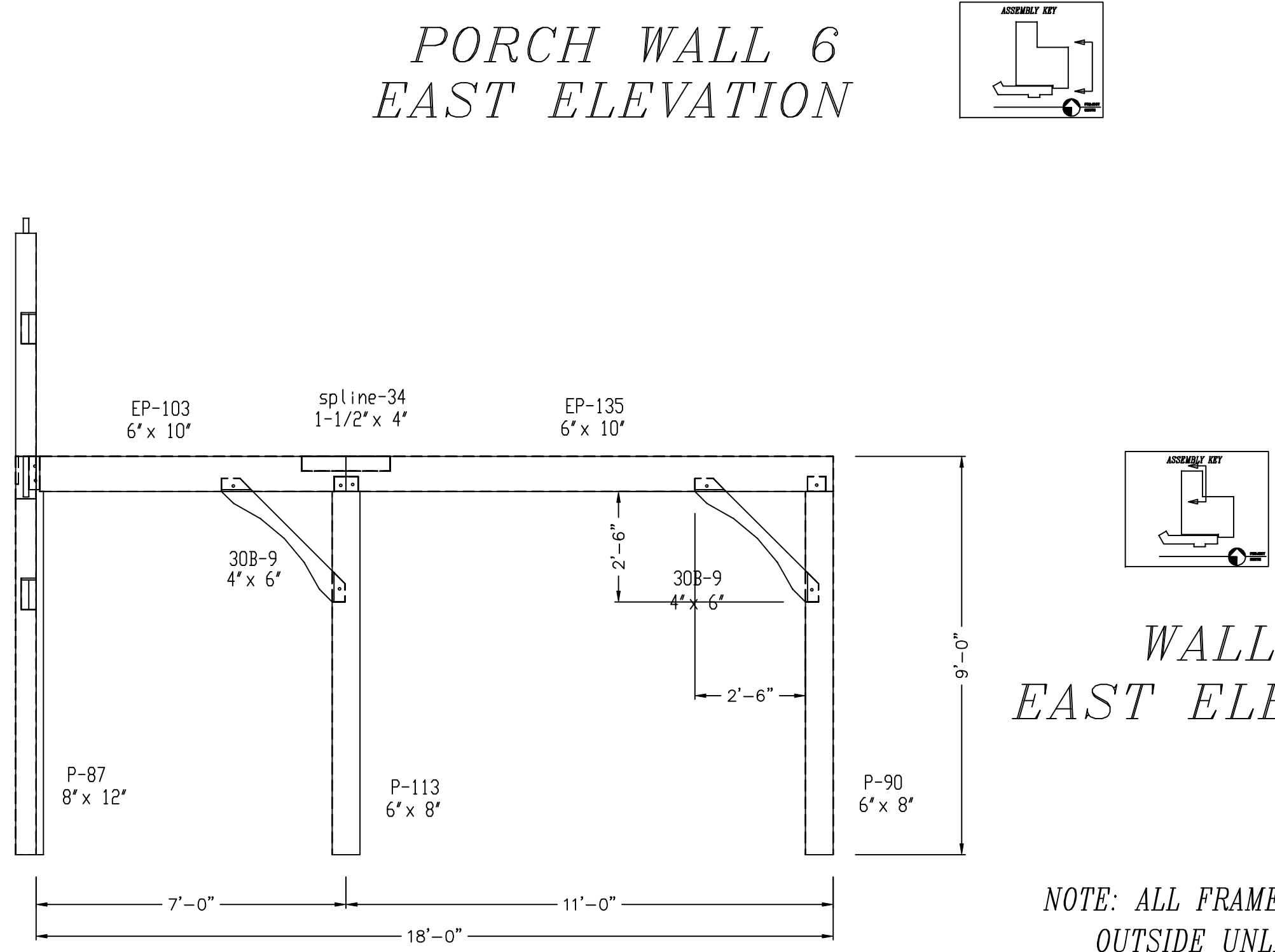
WALL 4
EAST ELEVATION



PORCH WALL 6
EAST ELEVATION



WALL 9
NORTH ELEVATION



WALL 8
EAST ELEVATION

ALL FRAME MEMBERS ARE OF STRUCTURAL DOUGLAS FIR
(SUBSTITUTE SPECIES WILL BE NOTED)

NOTE: ALL FRAME WALLS ARE VIEWED FROM
OUTSIDE UNLESS NOTED OTHERWISE

COPYRIGHT LAWS PROHIBIT REPRODUCTION OR USE OF THIS DRAWING,
IN WHOLE OR IN PART, WITHOUT THE EXPRESSED WRITTEN PERMISSION
OF DW TIMBER FRAME DESIGN

DO NOT SCALE DIMENSIONS ON THESE
DRAWINGS. THESE IMAGES ARE
MACHINE REPRODUCTIONS AND MAY
CONTAIN A MARGIN OF ERROR.

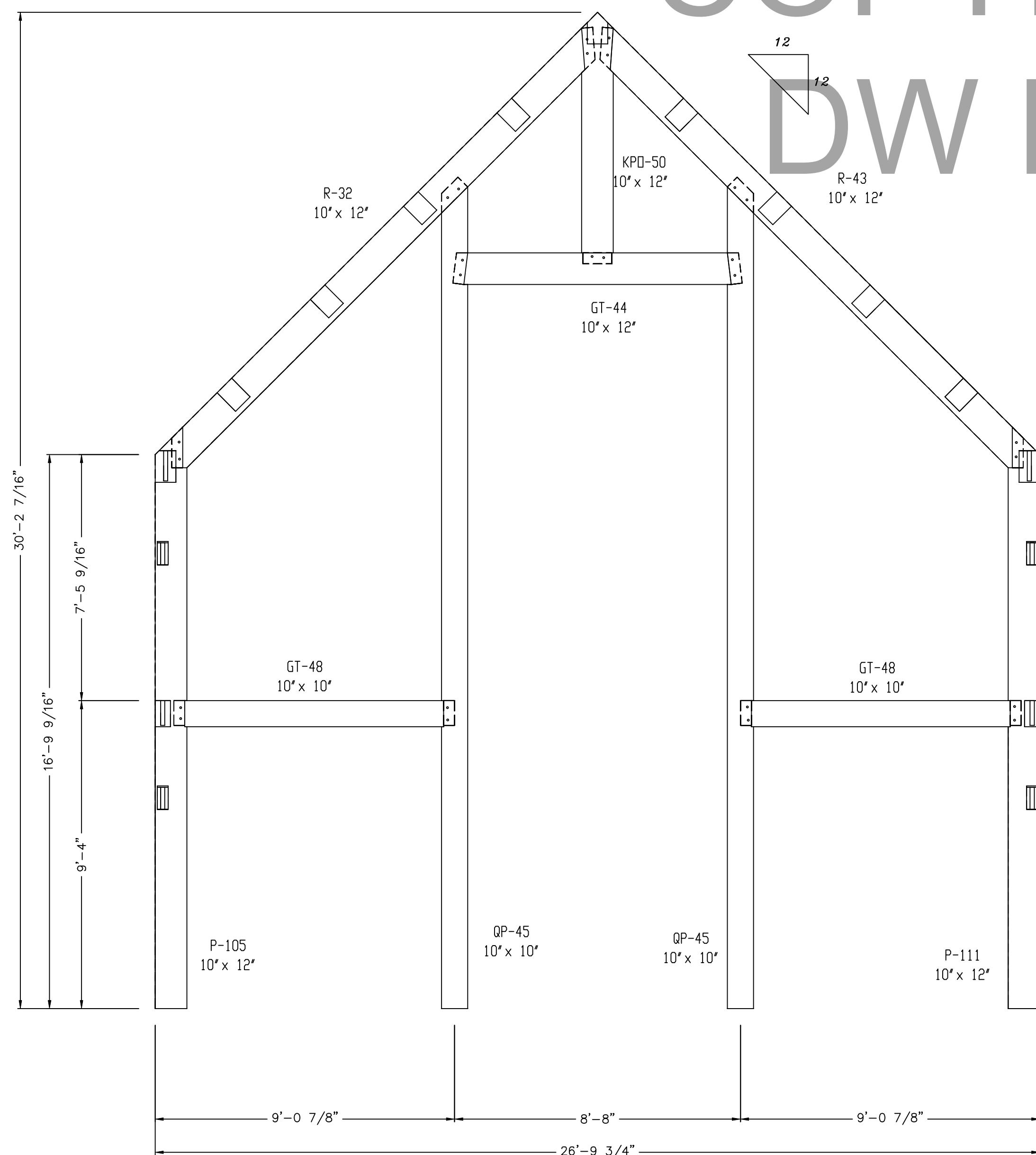
DW TIMBER FRAME DESIGN

CUSTOMER: MCCLAIN	DRAWN BY: DEW	DRAWING NUMBER: F2
DRAWING: WALL 4, 6, 8, 9	REVISIONS:	
SCALE: 3/8" = 1' - 0"	DATE: 4/2/16	

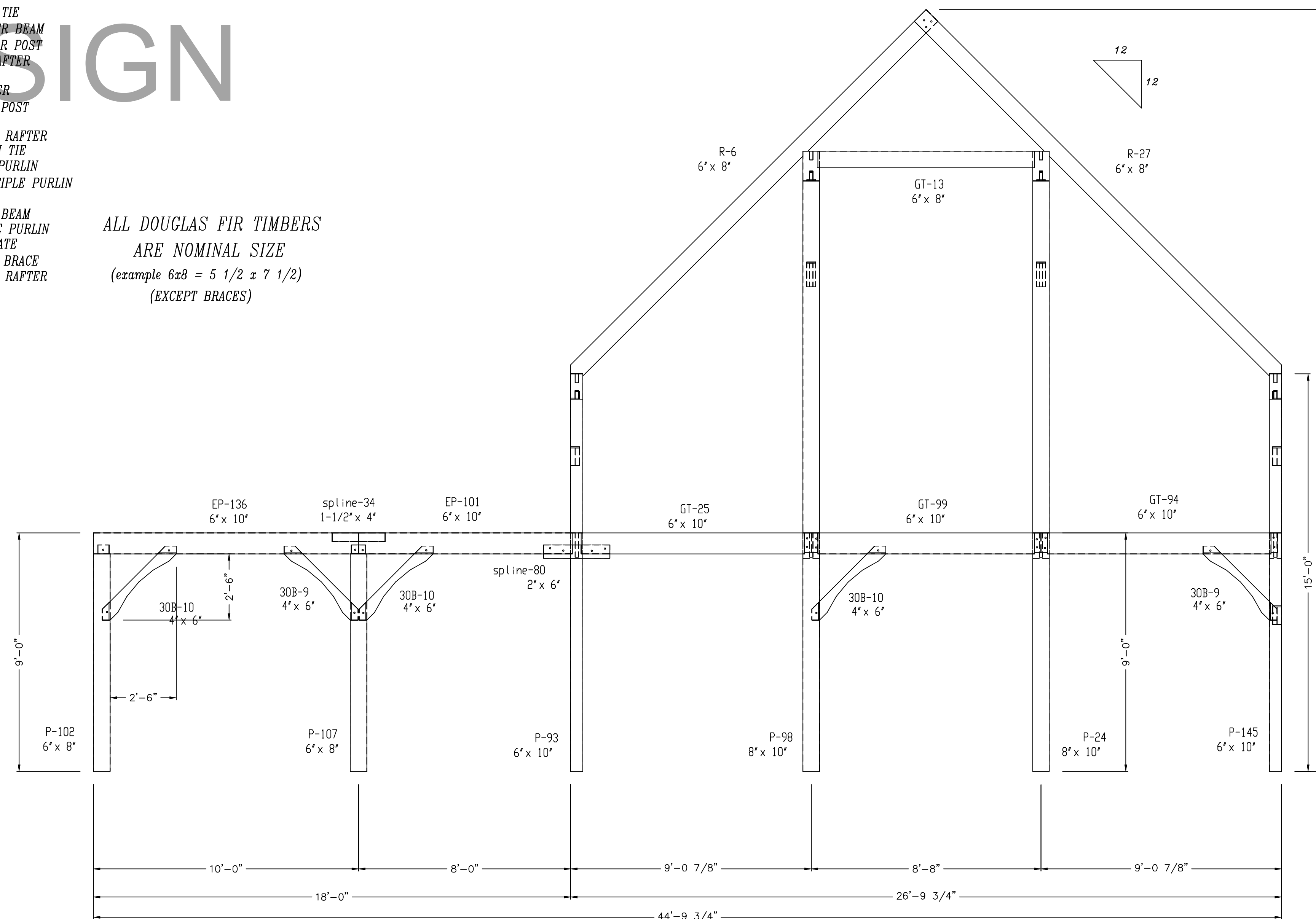
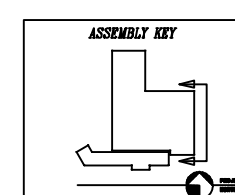
COPYRIGHT PROTECTED DW DESIGN

- BT = BAY TIE
- CT = COLLAR TIE
- CC = CONNECTING GIRT
- EC = EAVE GIRT
- EP = EAVE PLATE
- FC = FLOOR GIRT
- GT = GIRT
- HB = HAMMER BEAM
- HP = HAMMER POST
- HR = HIP RAFTER
- J = JOIST
- LDC = LEDGER
- KPO = KING POST
- P = POST
- PR = PORCH RAFTER
- PT = PURLIN TIE
- PN = BENT PURLIN
- PLN = PRINCIPLE PURLIN
- R = RAFTER
- RB = RIDGE BEAM
- RPN = RIDGE PURLIN
- S = SILL PLATE
- SB = SHORT BRACE
- VR = VALLEY RAFTER

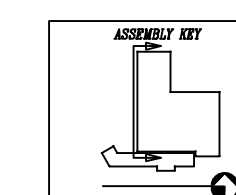
ALL DOUGLAS FIR TIMBERS
ARE NOMINAL SIZE
(example 6x8 = 5 1/2 x 7 1/2)
(EXCEPT BRACES)



PORCH WALL 5
VIEWED FROM EAST



WALL 10
WEST ELEVATION



ALL FRAME MEMBERS ARE OF STRUCTURAL DOUGLAS FIR
(SUBSTITUTE SPECIES WILL BE NOTED)

NOTE: ALL FRAME WALLS ARE VIEWED FROM
OUTSIDE UNLESS NOTED OTHERWISE

COPYRIGHT LAWS PROHIBIT REPRODUCTION OR USE OF THIS DRAWING,
IN WHOLE OR IN PART, WITHOUT THE EXPRESSED WRITTEN PERMISSION
OF DW TIMBER FRAME DESIGN

DO NOT SCALE DIMENSIONS ON THESE
DRAWINGS. THESE IMAGES ARE
MACHINE REPRODUCTIONS AND MAY
CONTAIN A MARGIN OF ERROR.

DW TIMBER FRAME DESIGN

CUSTOMER: MCCLAIN

DRAWN BY: DEW

DRAWING
NUMBER:

DRAWING: WALL 5, 10

REVISIONS:

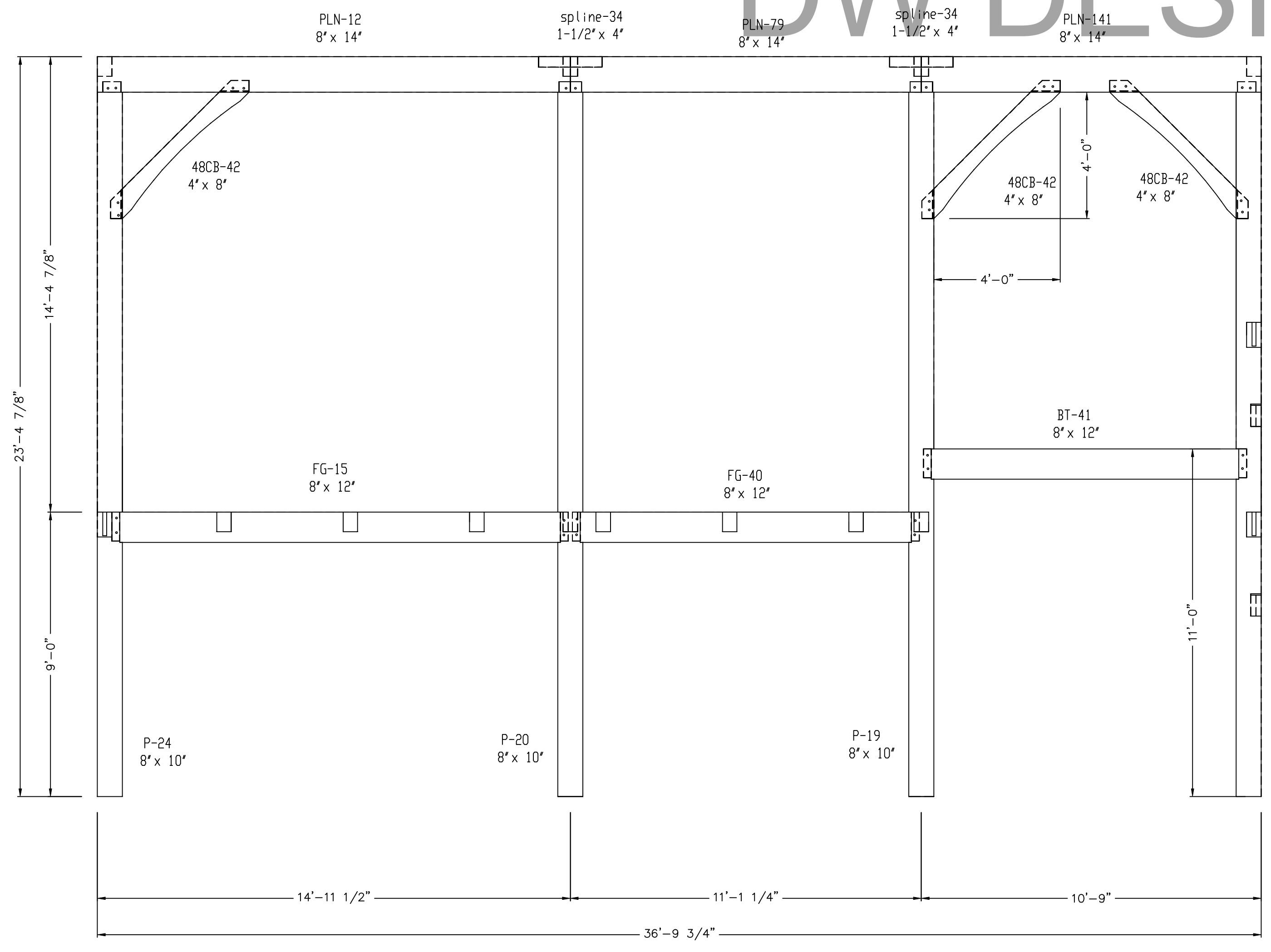
F3

SCALE: 3/8" = 1' - 0" DATE: 4/2/16

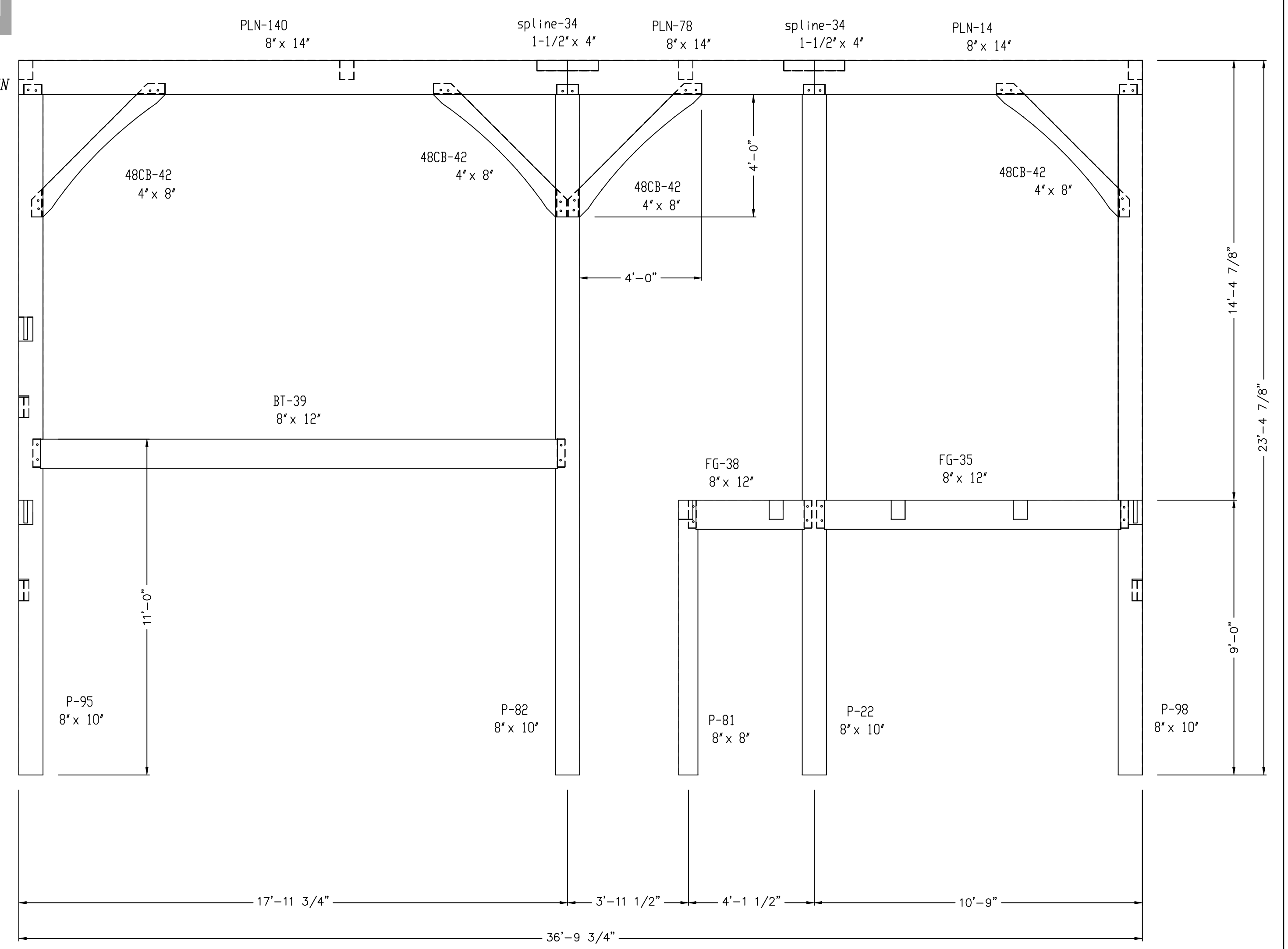
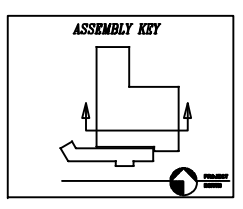
PROJECT NUMBER:

COPYRIGHT PROTECTED DW DESIGN

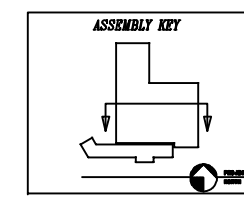
- BT = BAY TIE
- CT = COLLAR TIE
- CG = CONNECTING GIRT
- EG = EAVE GIRT
- EP = EAVE PLATE
- FG = FLOOR GIRT
- GT = GABLE TIE
- HB = HAMMER BEAM
- HP = HAMMER POST
- HR = HIP RAFTER
- J = JOIST
- LDC = LEDGER
- KPO = KING POST
- P = POST
- PR = PORCH RAFTER
- PT = PURLIN TIE
- PN = BENT PURLIN
- PLN = PRINCIPLE PURLIN
- R = RAFTER
- RB = RIDGE BEAM
- RPN = RIDGE PURLIN
- S = SILL PLATE
- SB = SHORT BRACE
- VR = VALLEY RAFTER



*SOUTH PURLIN WALL 11
VIEWED FROM SOUTH*



*NORTH PURLIN WALL 12
VIEWED FROM NORTH*



ALL DOUGLAS FIR TIMBERS
ARE NOMINAL SIZE
(example 6x8 = 5 1/2 x 7 1/2)
(EXCEPT BRACES)

ALL FRAME MEMBERS ARE OF STRUCTURAL DOUGLAS FIR
(SUBSTITUTE SPECIES WILL BE NOTED)

NOTE: ALL FRAME WALLS ARE VIEWED FROM
OUTSIDE UNLESS NOTED OTHERWISE

COPYRIGHT LAWS PROHIBIT REPRODUCTION OR USE OF THIS DRAWING,
IN WHOLE OR IN PART, WITHOUT THE EXPRESSED WRITTEN PERMISSION
OF DW TIMBER FRAME DESIGN

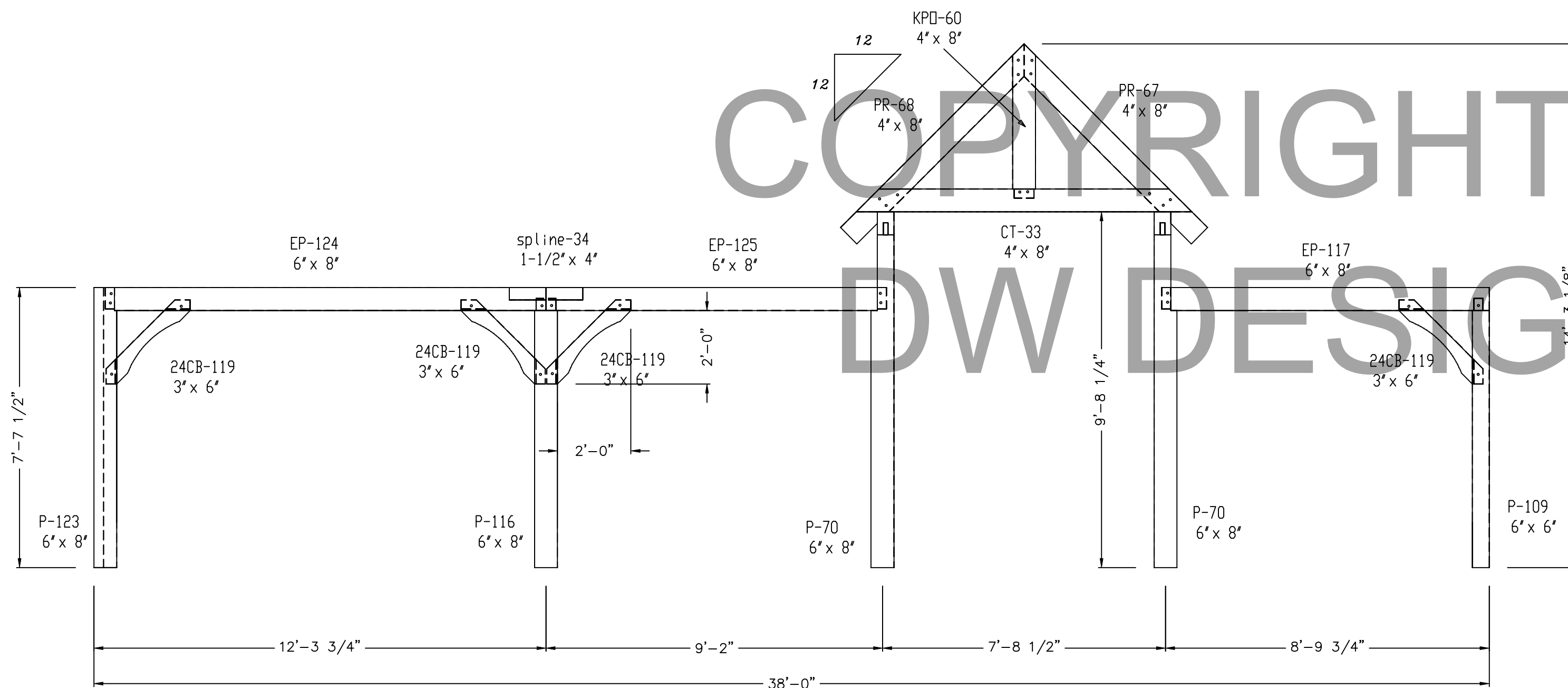
DO NOT SCALE DIMENSIONS ON THESE
DRAWINGS. THESE IMAGES ARE
MACHINE REPRODUCTIONS AND MAY
CONTAIN A MARGIN OF ERROR.

DW TIMBER FRAME DESIGN

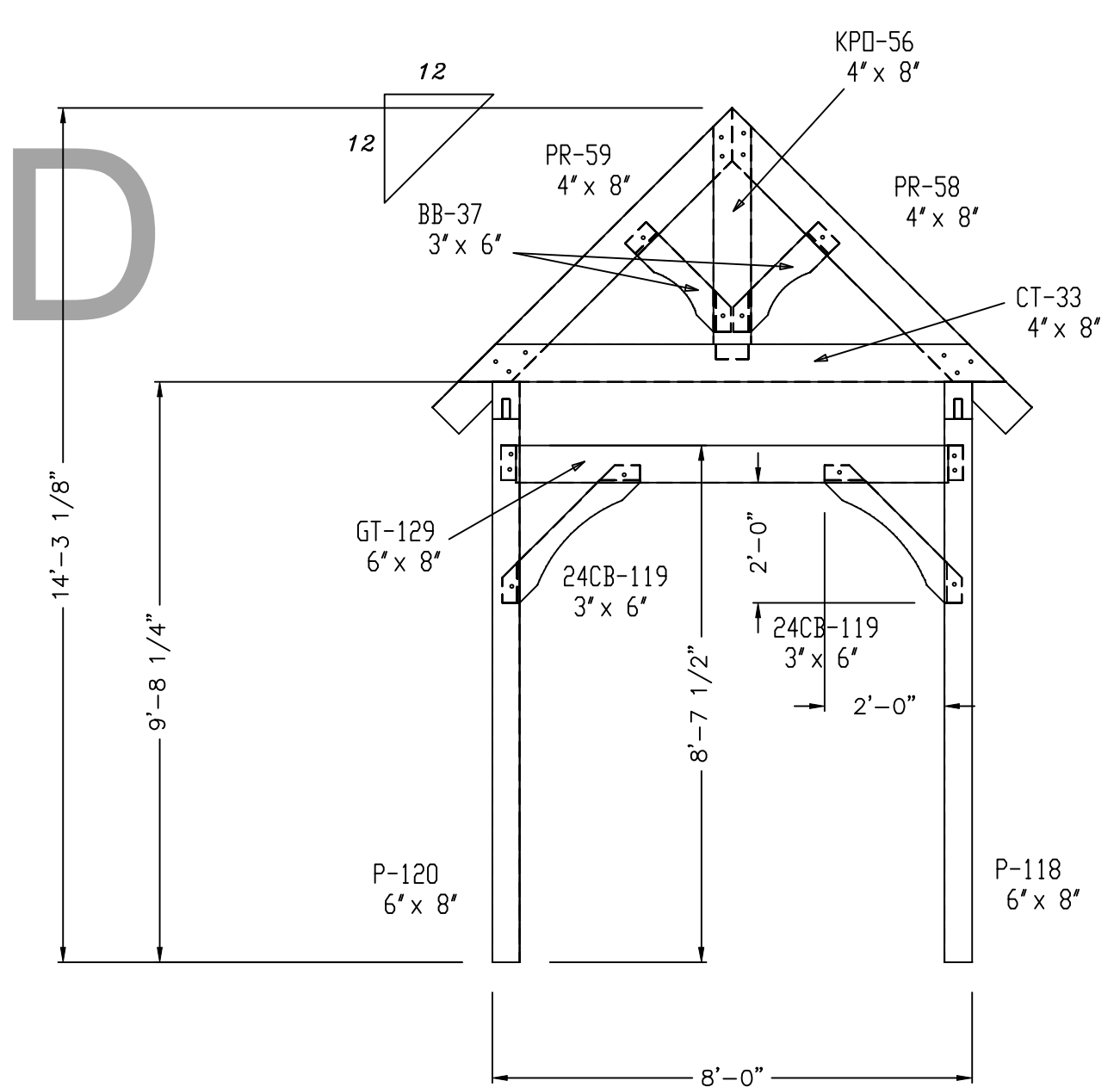
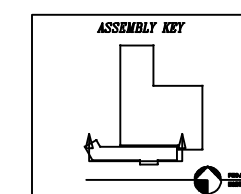
CUSTOMER: MCCLAIN	DRAWN BY: DEW	DRAWING NUMBER:
DRAWING: WALL 11, 12	REVISIONS:	<i>F4</i>
SCALE: 3/8" = 1' - 0"	DATE: 4/2/16	

COPYRIGHT PROTECTED
DW DESIGN

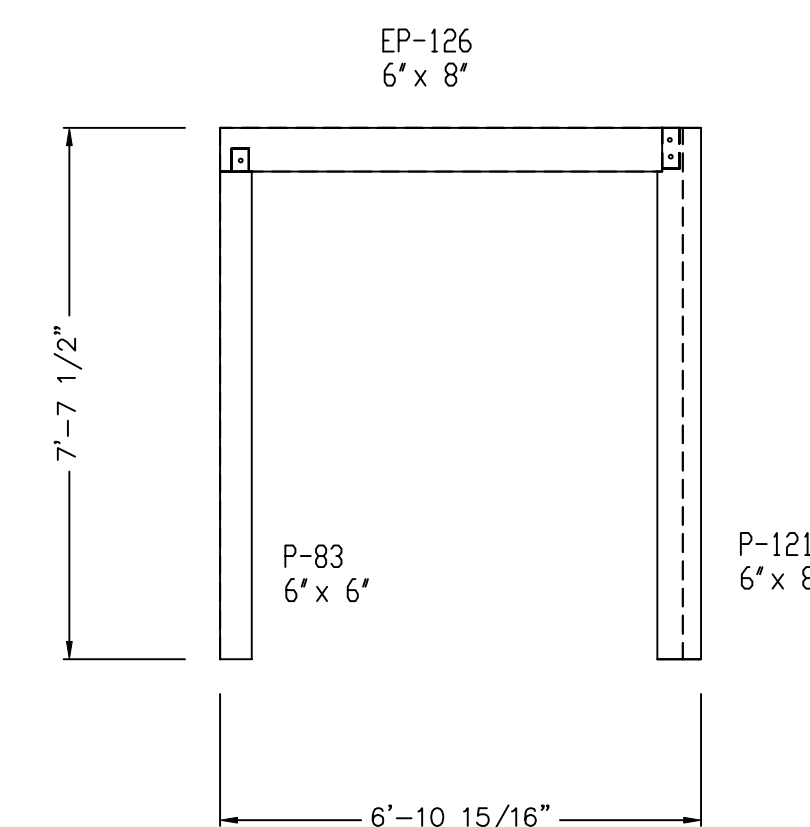
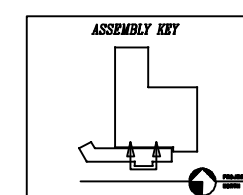
- BT = BAY TIE
- CT = COLLAR TIE
- CC = CONNECTING GIRT
- EC = EAVE GIRT
- EP = EAVE PLATE
- FC = FLOOR GIRT
- GT = GABLE TIE
- HB = HAMMER BEAM
- HP = HAMMER POST
- HR = HIP RAFTER
- J = JOIST
- LDC = LEDGER
- KPO = KING POST
- P = POST
- PR = PORCH RAFTER
- PT = PURLIN TIE
- PN = BENT PURLIN
- PLN = PRINCIPLE PURLIN
- R = RAFTER
- RB = RIDGE BEAM
- RPN = RIDGE PURLIN
- S = SILL PLATE
- SB = SHORT BRACE
- VR = VALLEY RAFTER



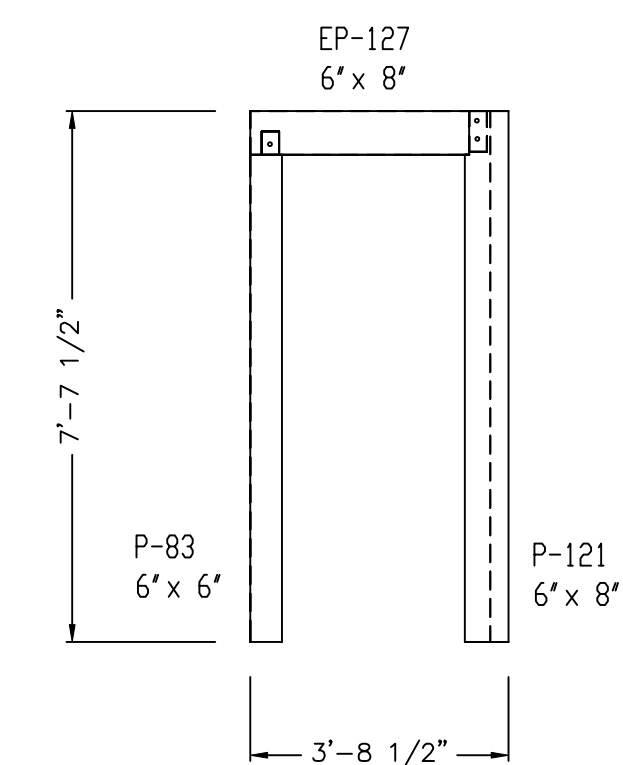
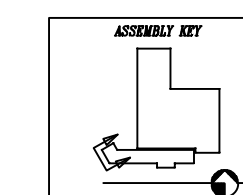
*PORCH WALL 15
VIEWED FROM SOUTH*



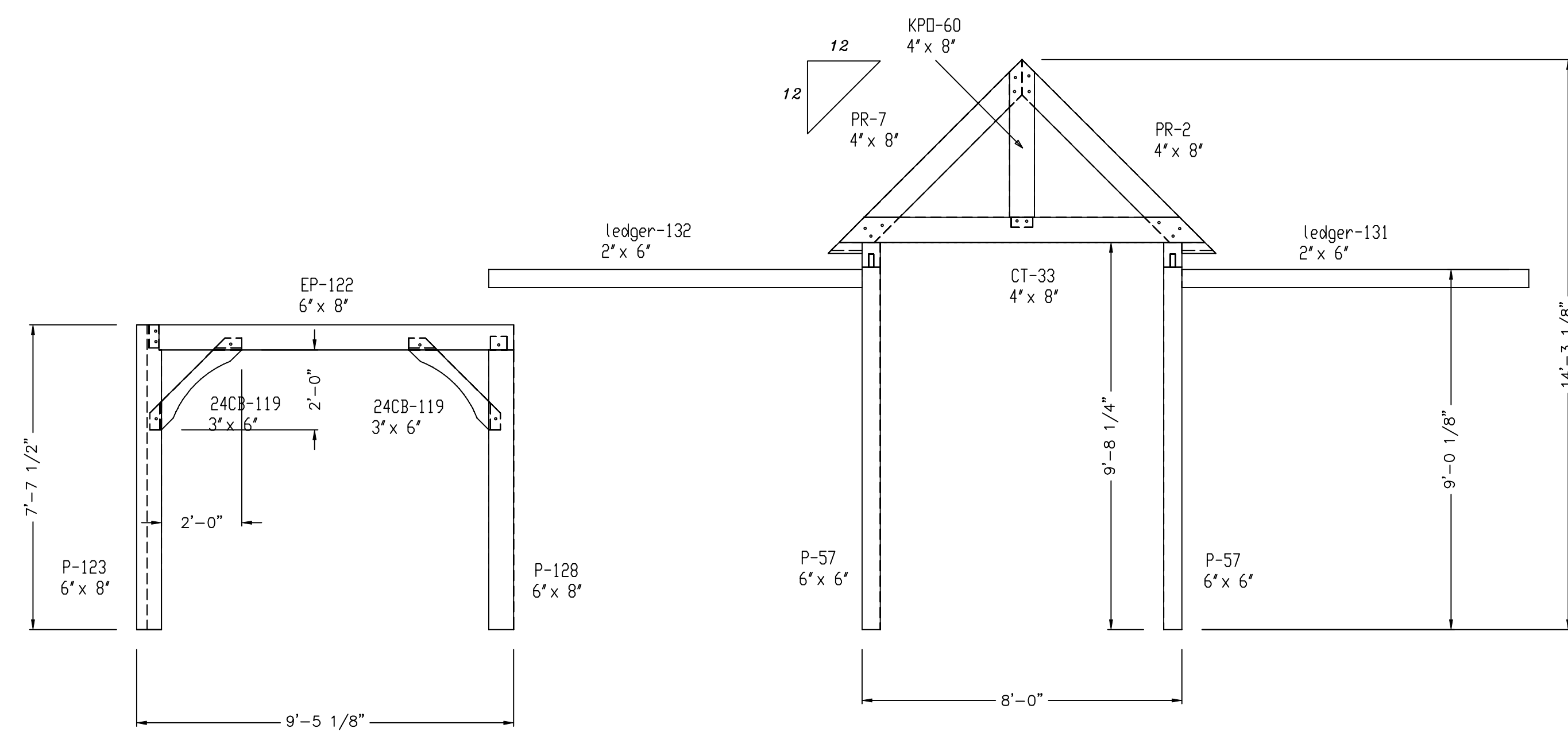
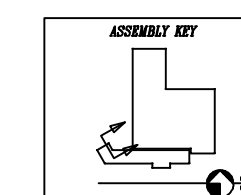
*PORCH WALL 13
VIEWED FROM SOUTH*



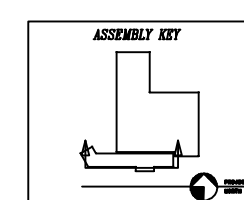
*PORCH WALL 16
VIEWED FROM SOUTHWEST*



*PORCH WALL 17
VIEWED FROM SOUTHWEST*



*PORCH WALL 14
VIEWED FROM SOUTH*



ALL DOUGLAS FIR TIMBERS
ARE NOMINAL SIZE
(example 6x8 = 5 1/2 x 7 1/2)
(EXCEPT BRACES)

ALL FRAME MEMBERS ARE OF STRUCTURAL DOUGLAS FIR
(SUBSTITUTE SPECIES WILL BE NOTED)

NOTE: ALL FRAME WALLS ARE VIEWED FROM
OUTSIDE UNLESS NOTED OTHERWISE

COPYRIGHT LAWS PROHIBIT REPRODUCTION OR USE OF THIS DRAWING,
IN WHOLE OR IN PART, WITHOUT THE EXPRESSED WRITTEN PERMISSION
OF DW TIMBER FRAME DESIGN

DO NOT SCALE DIMENSIONS ON THESE
DRAWINGS. THESE IMAGES ARE
MACHINE REPRODUCTIONS AND MAY
CONTAIN A MARGIN OF ERROR.

DW TIMBER FRAME DESIGN

CUSTOMER: MCCLAIN

DRAWN BY: DEW

DRAWING
NUMBER:

DRAWING: WALL 13, 14, 15, 16, 17

REVISIONS:

F5

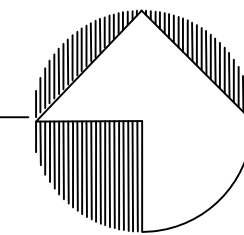
SCALE: 3/8" = 1' - 0" DATE: 4/2/16

PROJECT NUMBER:

COPYRIGHT PROTECTED
DW DESIGN

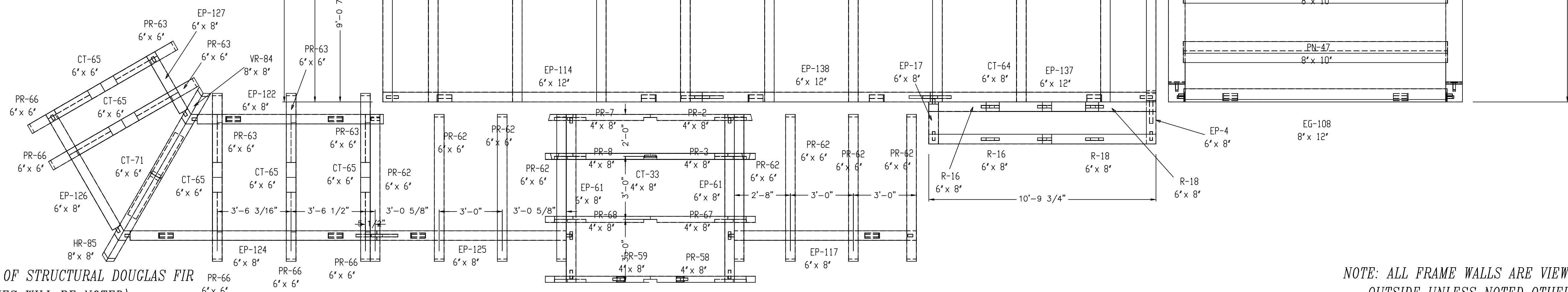
ALL DOUGLAS FIR TIMBERS
ARE NOMINAL SIZE
(example 6x8 = 5 1/2 x 7 1/2)
(EXCEPT BRACES)

ROOF SYSTEM



PROJECT
NORTH

- BT = BAY TIE
- CT = COLLAR TIE
- CC = CONNECTING GIRT
- EC = EAVE GIRT
- EP = EAVE PLATE
- FC = FLOOR GIRT
- GT = GABLE TIE
- HB = HAMMER BEAM
- HP = HAMMER POST
- HR = HIP RAFTER
- J = JOIST
- LDC = LEDGER
- KPO = KING POST
- P = POST
- PR = PORCH RAFTER
- PT = PURLIN TIE
- PN = BENT PURLIN
- PLN = PRINCIPLE PURLIN
- R = RAFTER
- RB = RIDGE BEAM
- RPN = RIDGE PURLIN
- S = SILL PLATE
- SB = SHORT BRACE
- VR = VALLEY RAFTER



ALL FRAME MEMBERS ARE OF STRUCTURAL DOUGLAS FIR
(SUBSTITUTE SPECIES WILL BE NOTED)

NOTE: ALL FRAME WALLS ARE VIEWED FROM
OUTSIDE UNLESS NOTED OTHERWISE

COPYRIGHT LAWS PROHIBIT REPRODUCTION OR USE OF THIS DRAWING,
IN WHOLE OR IN PART, WITHOUT THE EXPRESSED WRITTEN PERMISSION
OF DW TIMBER FRAME DESIGN

DO NOT SCALE DIMENSIONS ON THESE
DRAWINGS. THESE IMAGES ARE
MACHINE REPRODUCTIONS AND MAY
CONTAIN A MARGIN OF ERROR.

DW TIMBER FRAME DESIGN

CUSTOMER: MCCLAIN

DRAWN BY: DEW

DRAWING
NUMBER:

DRAWING: ROOF SYSTEM

REVISIONS:

F6

SCALE: 3/8" = 1' - 0" DATE: 4/2/16

PROJECT NUMBER: