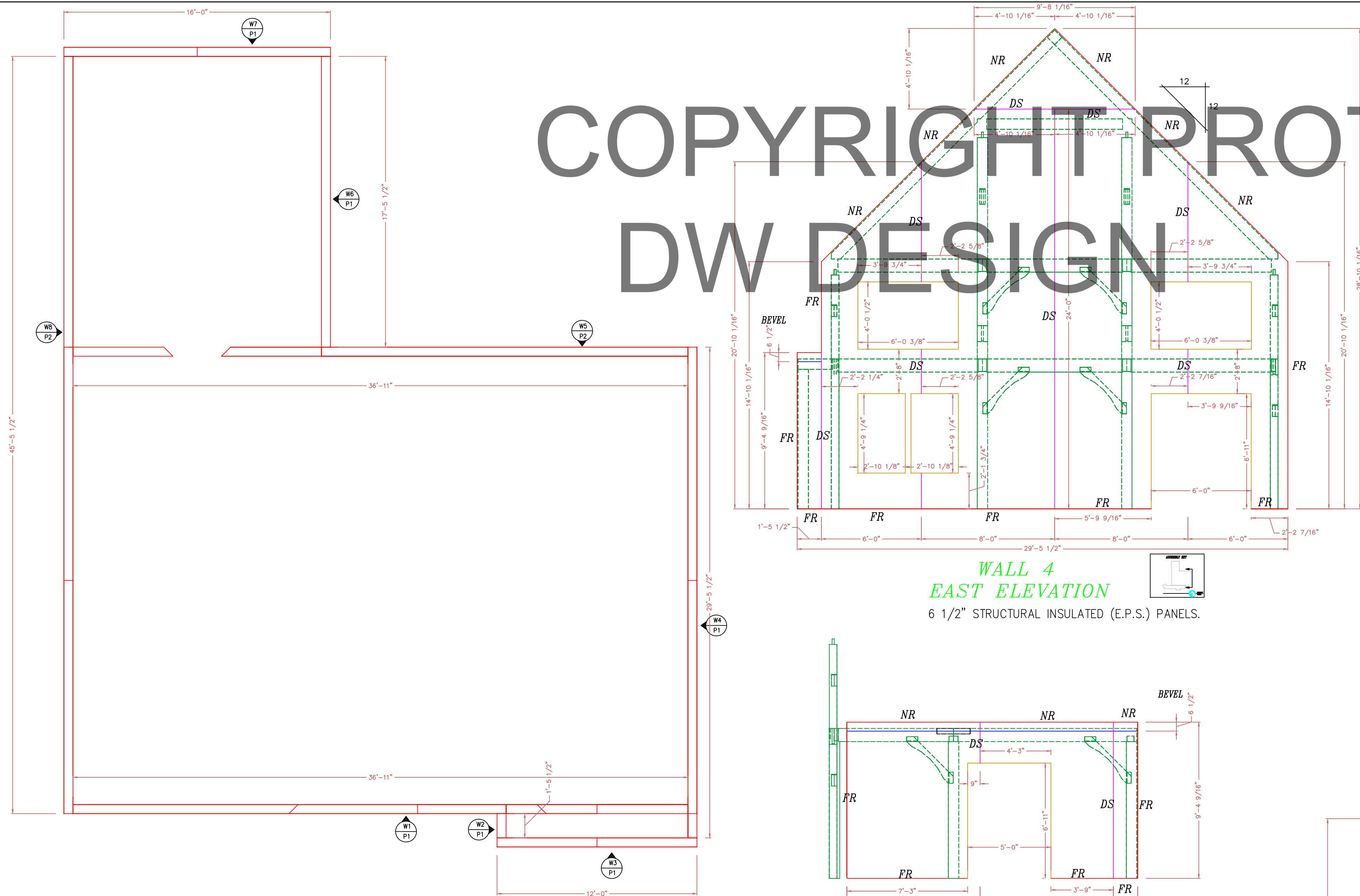
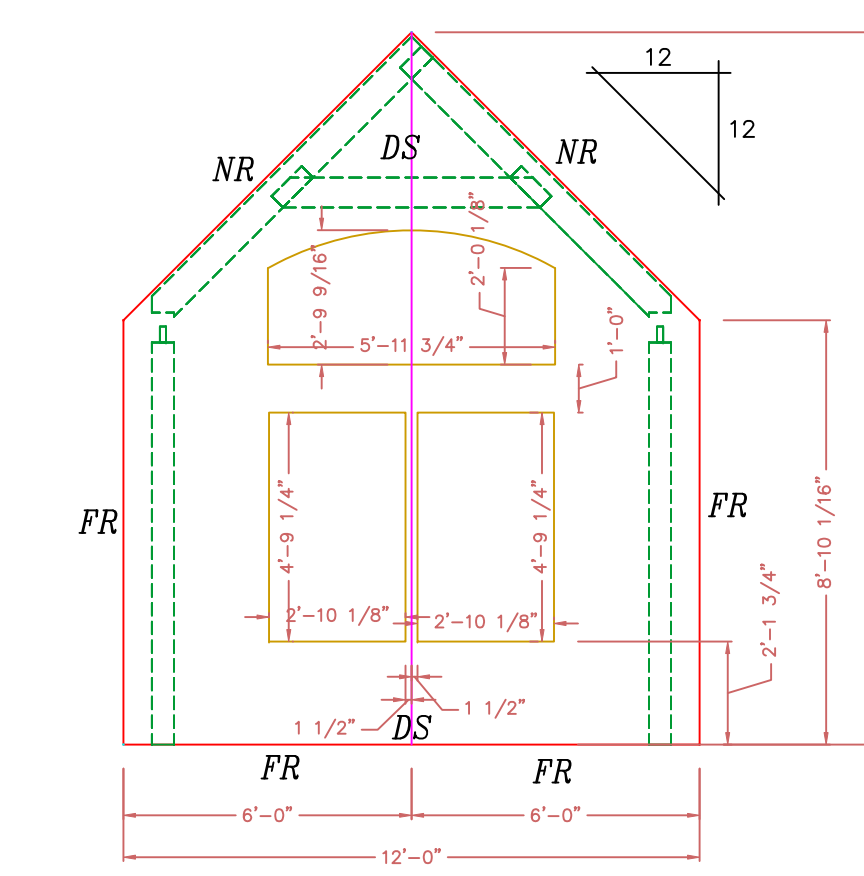


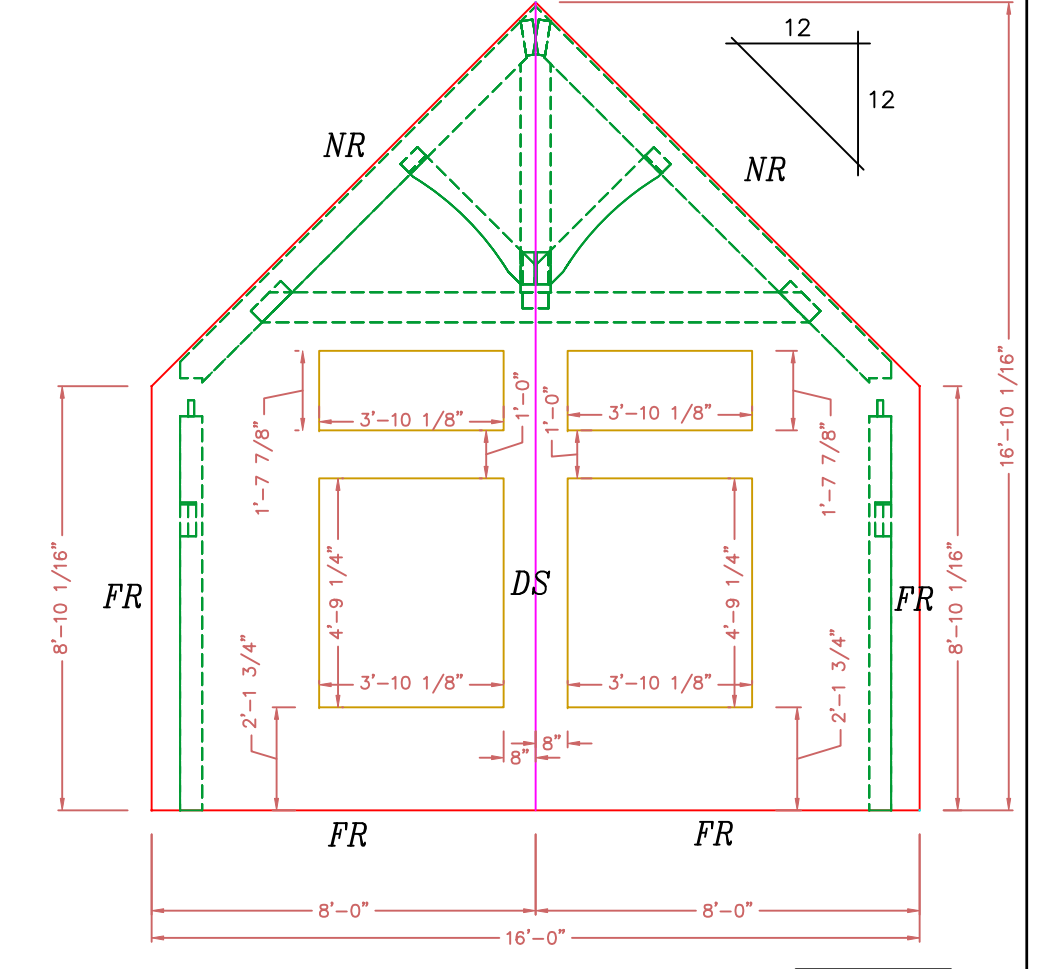
COPYRIGHT PROTECTED DW DESIGN



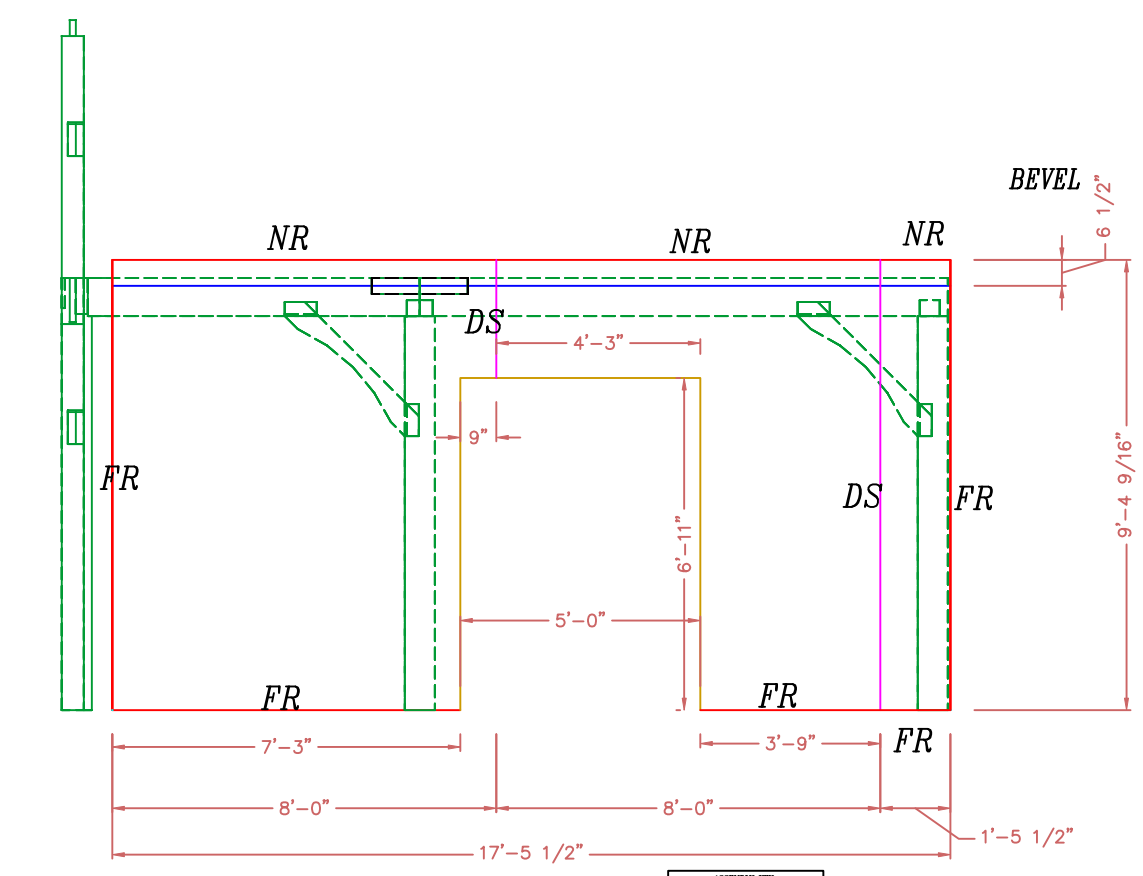
**WALL 2
WEST ELEVATION**
6 1/2" STRUCTURAL INSULATED (E.P.S.) PANELS.



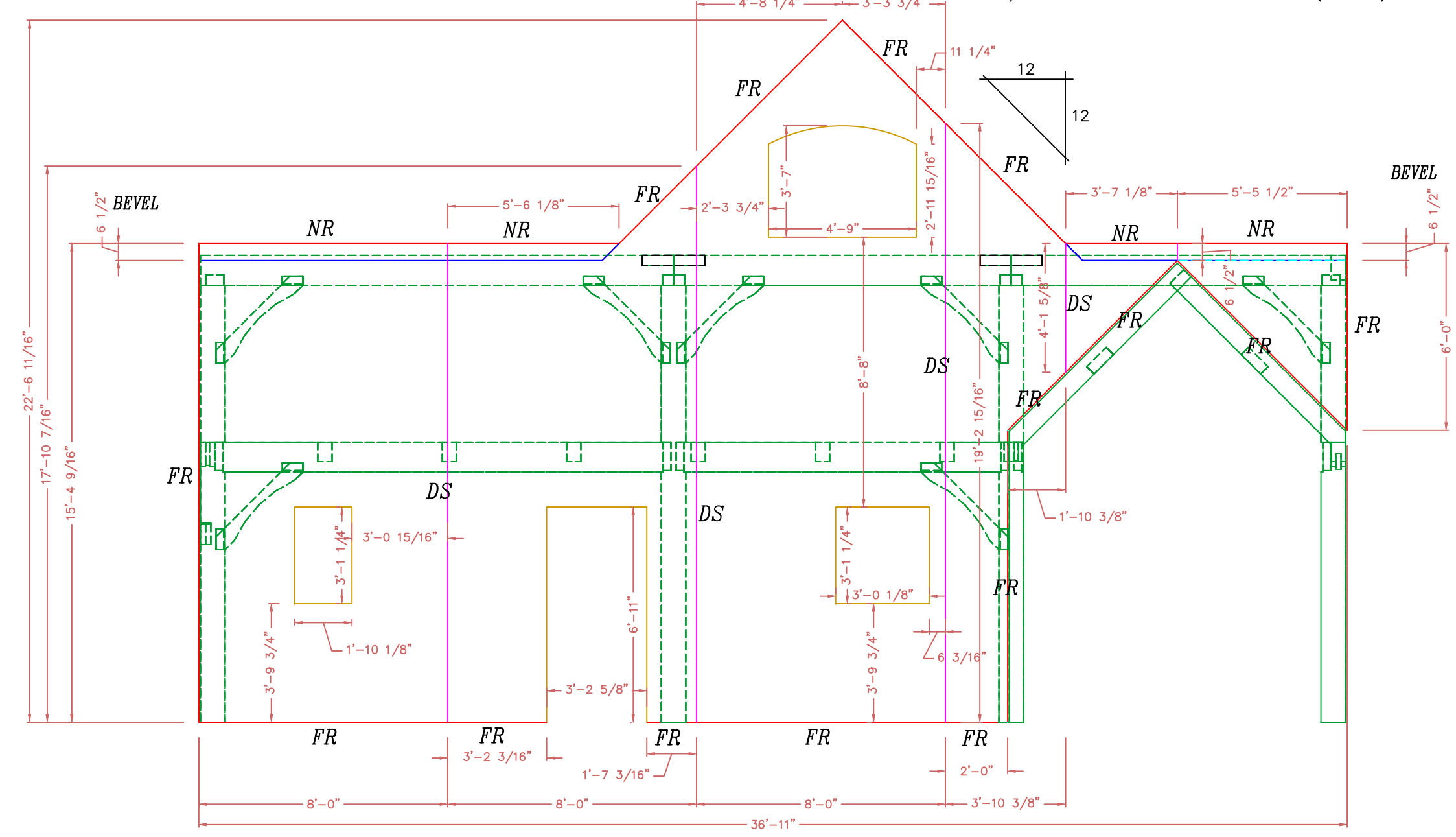
**WALL 3
SOUTH ELEVATION**
6 1/2" STRUCTURAL INSULATED (E.P.S.) PANELS.



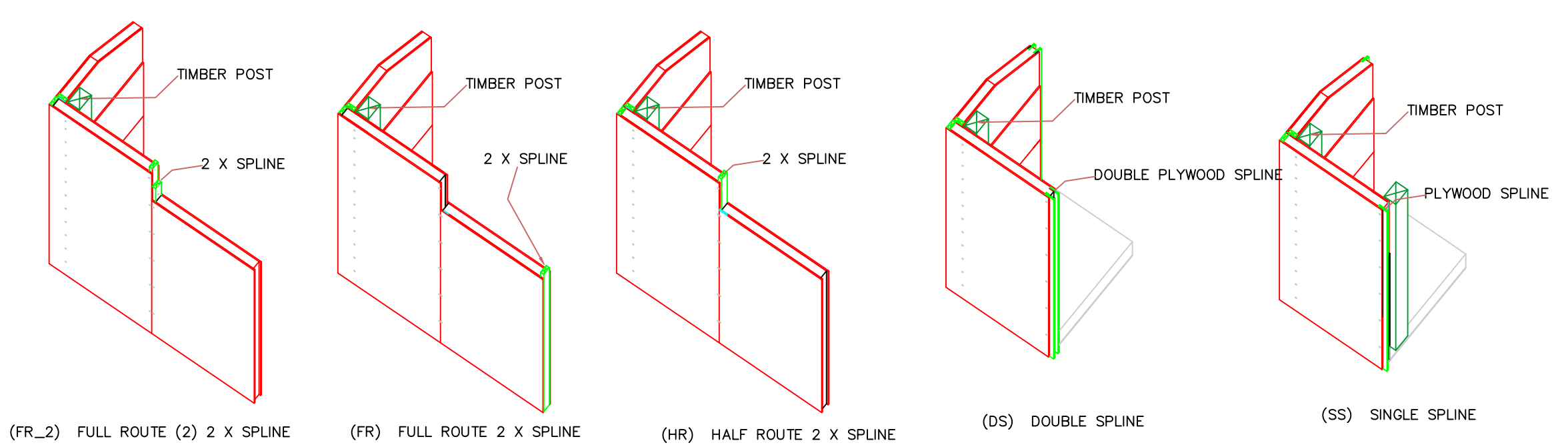
**WALL 7
NORTH ELEVATION**
6 1/2" STRUCTURAL INSULATED (E.P.S.) PANELS.



**WALL 6
EAST ELEVATION**
6 1/2" STRUCTURAL INSULATED (E.P.S.) PANELS.



**WALL 1
SOUTH ELEVATION**
6 1/2" STRUCTURAL INSULATED (E.P.S.) PANELS.



NOTE:
ALL WINDOW & DOOR OPENINGS ARE FULL ROUTE

--- = HIDDEN CUT (BACK SKIN)
— = VISABLE CUT (FRONT SKIN)

FR₂ = DOUBLE FULL ROUTE
FR = FULL ROUTE
HR = HALF ROUTE
SS = SINGLE SPLINE
DS = DOUBLE SPLINE
NR = NO ROUTE

ROOF: IS 10 1/4" STRUCTURAL INSULATED (E.P.S.) PANELS.
THEY SHALL BE APPLIED TO TIMBER FRAME OVER 3/4" T & G BOARDS.

WALLS: ARE 6 1/2" STRUCTURAL INSULATED (EPS) PANELS.
THEY SHALL BE APPLIED TO TIMBER FRAME OVER 1/2" SHEETROCK.
WITH 5/8" STRAPPING APPLIED TO EXTERIOR TIMBERS

NOTE: ALL PANEL WALLS ARE VIEWED FROM
OUTSIDE UNLESS NOTED OTHERWISE

COPYRIGHT LAWS PROHIBIT REPRODUCTION OR USE OF THIS DRAWING,
IN WHOLE OR IN PART, WITHOUT THE EXPRESSED WRITTEN PERMISSION
OF DW TIMBER FRAME DESIGN

DO NOT SCALE DIMENSIONS ON THESE
DRAWINGS. THESE IMAGES ARE
MACHINE REPRODUCTIONS AND MAY
CONTAIN A MARGIN OF ERROR.

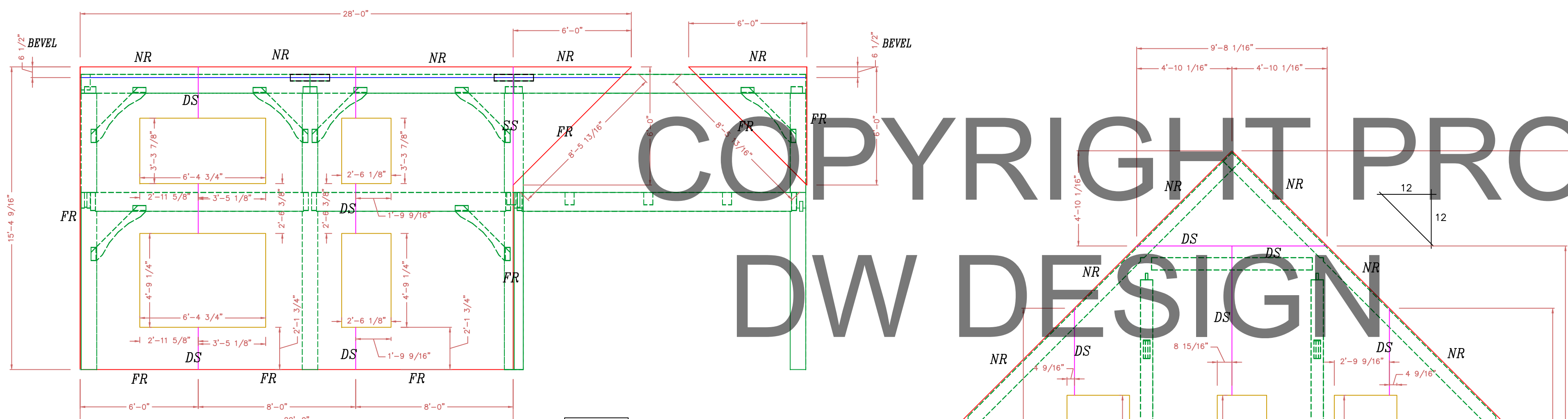
REVISIONS	
NUMBER & DESCRIPTION	DATE
	7/9/16

SCALE: 1/4" = 1'-0"
DATE: 3/4/16
DRAWN BY: DEW
CHECKED BY:

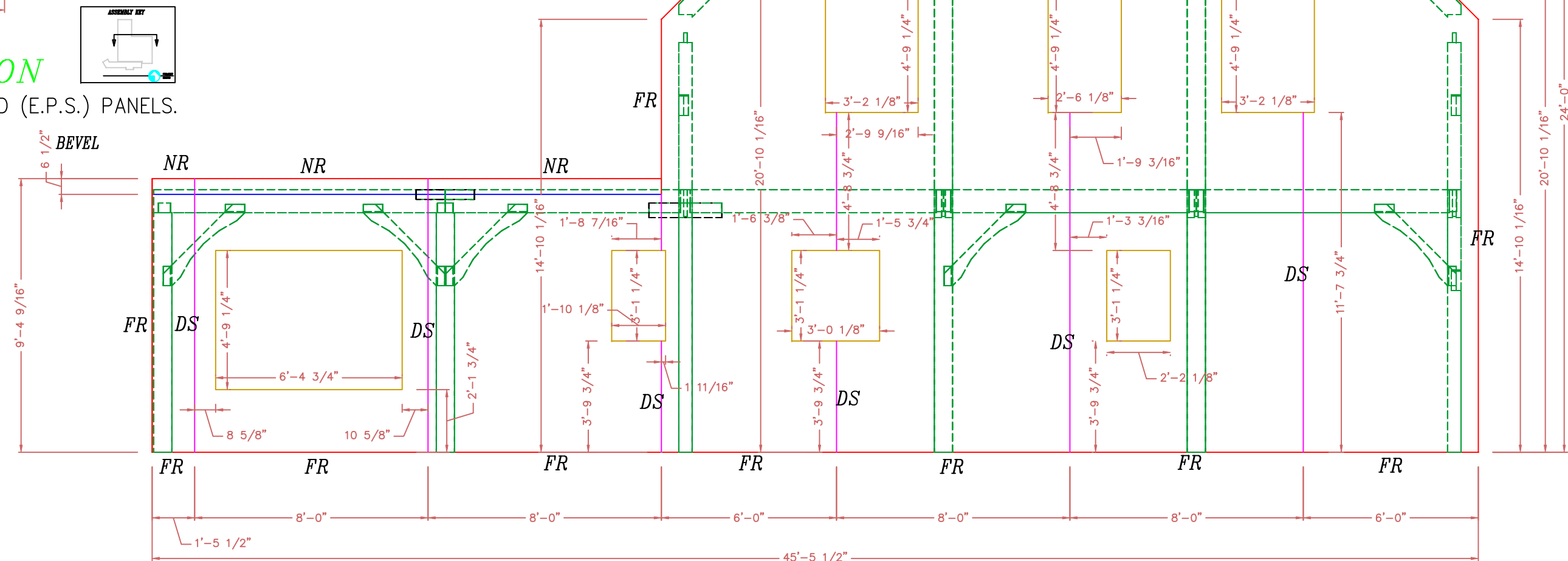
JOB NAME: **MCCLAIN RESIDENCE
UNICOI, TN**

DW TIMBER FRAME DESIGN
TIMBER FRAME & PANEL HOME DESIGN
WWW.TIMBERFRAMEDESIGN.NET
PHONE: (603)852-8251

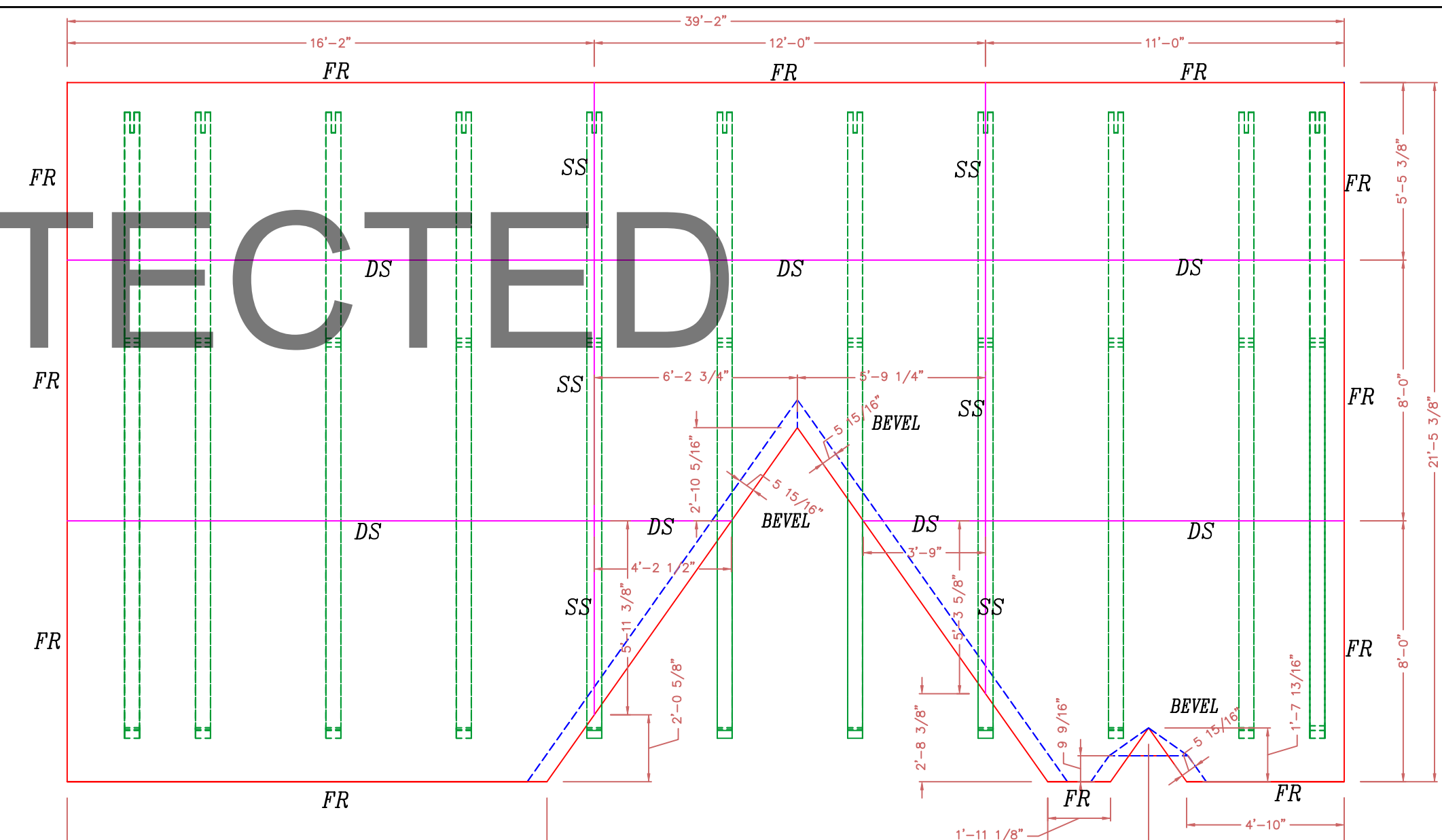
COPYRIGHT PROTECTED DW DESIGN



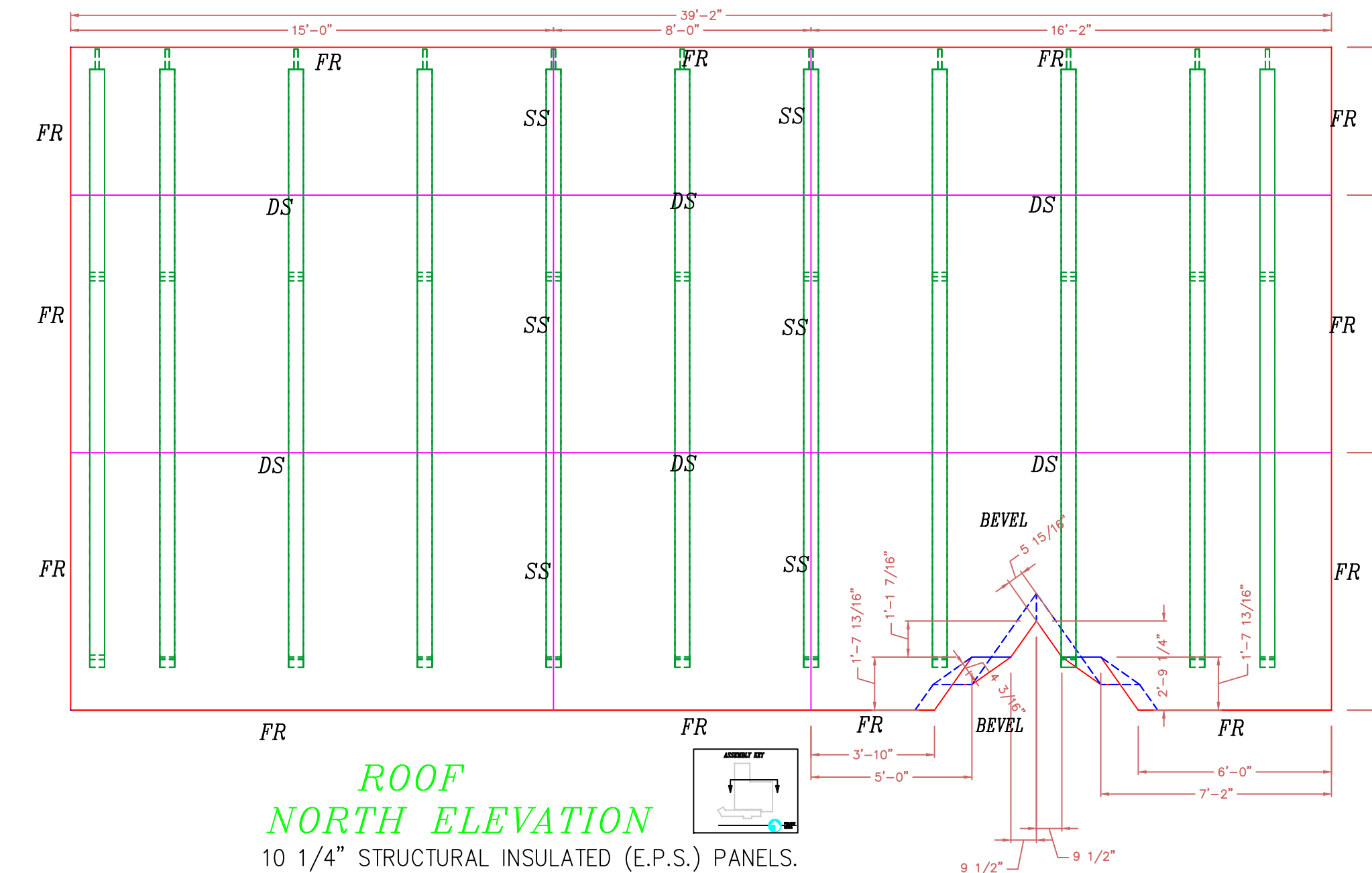
**WALL 5
NORTH ELEVATION**
6 1/2" STRUCTURAL INSULATED (E.P.S.) PANELS.



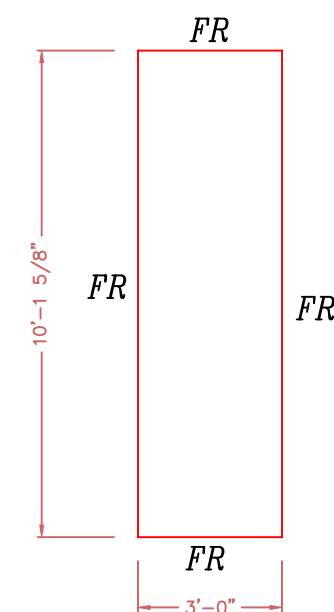
**WALL 8
WEST ELEVATION**
6 1/2" STRUCTURAL INSULATED (E.P.S.) PANELS.



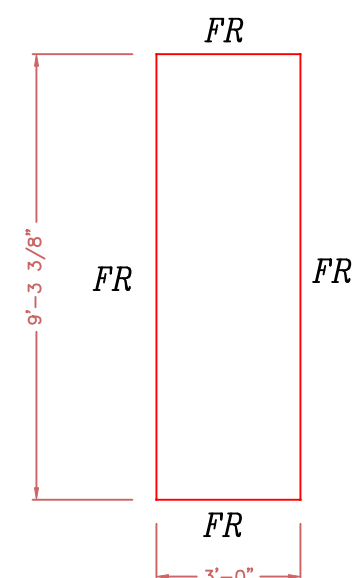
**ROOF
SOUTH ELEVATION**
10 1/4" STRUCTURAL INSULATED (E.P.S.) PANELS.



**ROOF
NORTH ELEVATION**
10 1/4" STRUCTURAL INSULATED (E.P.S.) PANELS.



**ROOF
WEST ELEVATION**
10 1/4" STRUCTURAL INSULATED (E.P.S.) PANELS.



**ROOF
EAST ELEVATION**
10 1/4" STRUCTURAL INSULATED (E.P.S.) PANELS.

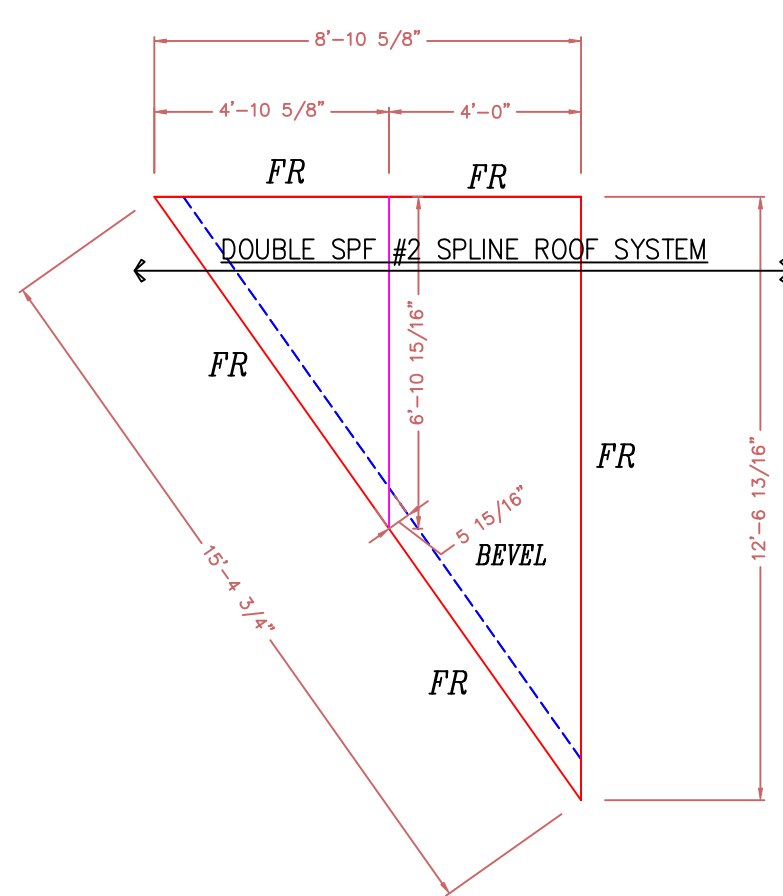
ROOF: IS 10 1/4" STRUCTURAL INSULATED (E.P.S.) PANELS.
THEY SHALL BE APPLIED TO TIMBER FRAME OVER 3/4" T & G BOARDS.

WALLS: ARE 6 1/2" STRUCTURAL INSULATED (EPS) PANELS.
THEY SHALL BE APPLIED TO TIMBER FRAME OVER 1/2" SHEETROCK.
WITH 5/8" STRAPPING APPLIED TO EXTERIOR TIMBERS

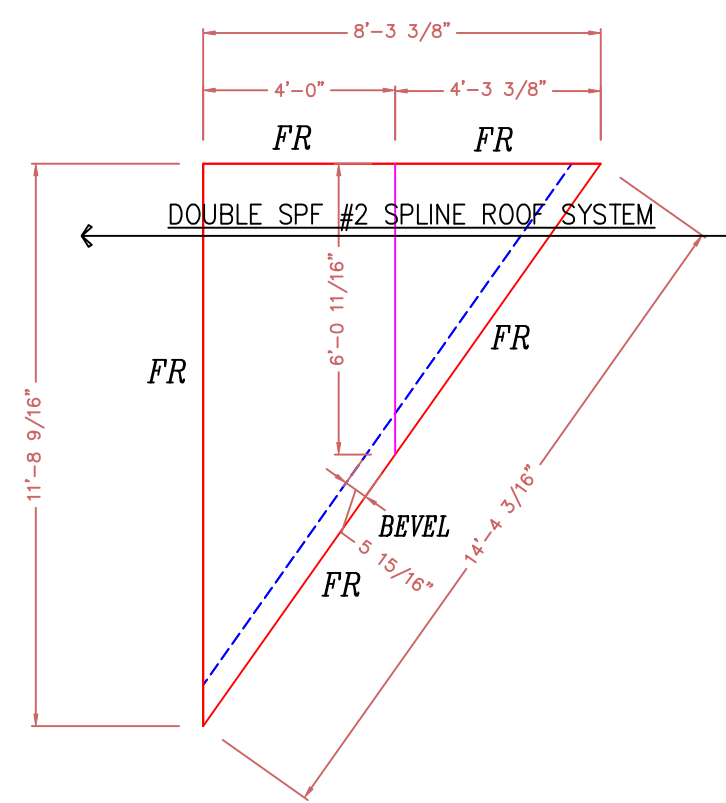
NOTE:
ALL WINDOW & DOOR OPENINGS ARE FULL ROUTE

--- = HIDDEN CUT (BACK SKIN)
--- = VISABLE CUT (FRONT SKIN)

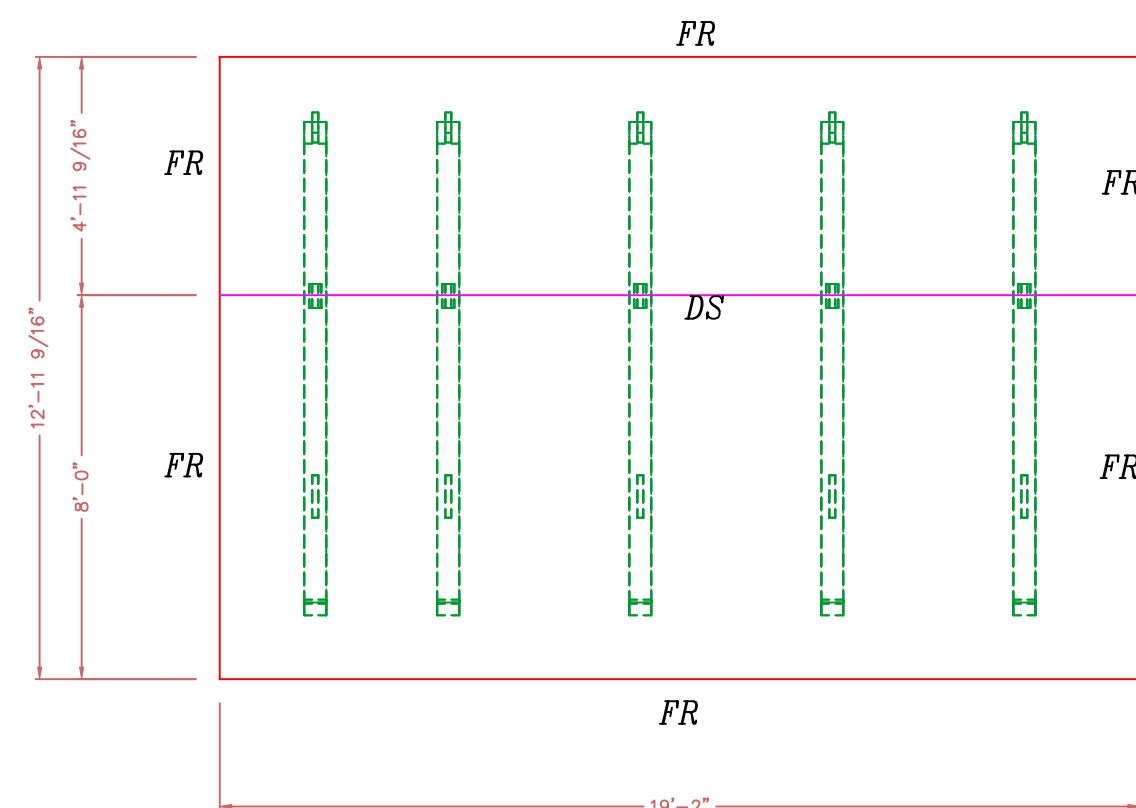
FR2 = DOUBLE FULL ROUTE
FR = FULL ROUTE
HR = HALF ROUTE
SS = SINGLE SPLINE
DS = DOUBLE SPLINE
NR = NO ROUTE



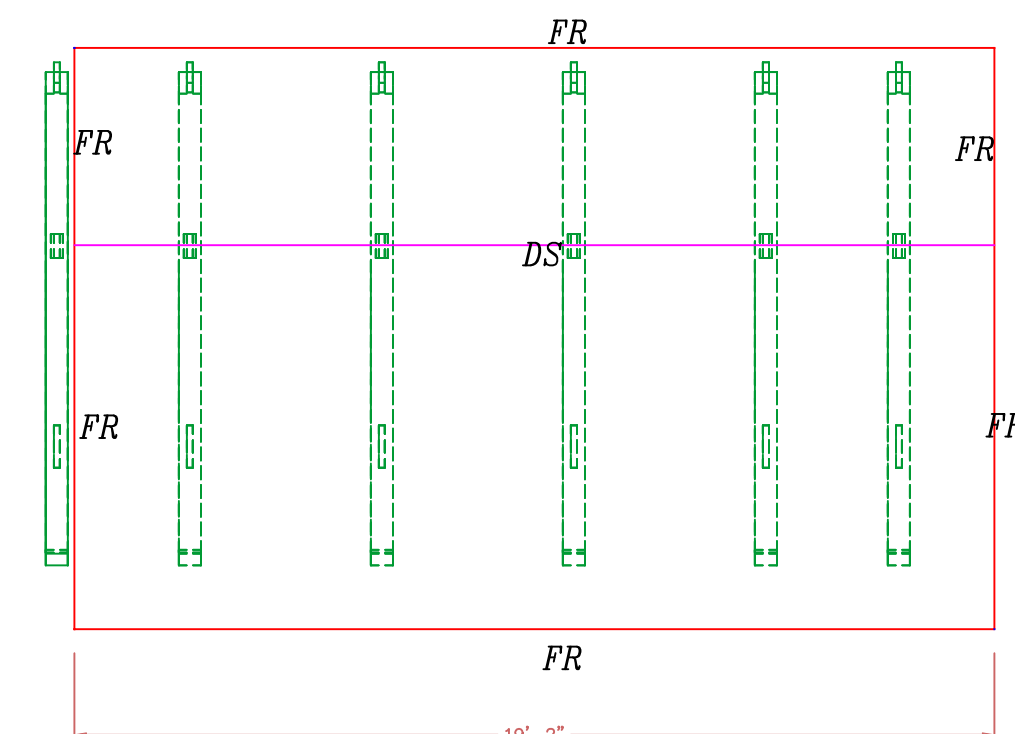
**ROOF
WEST ELEVATION**
10 1/4" STRUCTURAL INSULATED (E.P.S.) PANELS.



**ROOF
EAST ELEVATION**
10 1/4" STRUCTURAL INSULATED (E.P.S.) PANELS.



**ROOF
EAST ELEVATION**
10 1/4" STRUCTURAL INSULATED (E.P.S.) PANELS.



**ROOF
WEST ELEVATION**
10 1/4" STRUCTURAL INSULATED (E.P.S.) PANELS.

NOTE: ALL PANEL WALLS ARE VIEWED FROM
OUTSIDE UNLESS NOTED OTHERWISE

COPYRIGHT LAWS PROHIBIT REPRODUCTION OR USE OF THIS DRAWING,
IN WHOLE OR IN PART, WITHOUT THE EXPRESSED WRITTEN PERMISSION
OF DW TIMBER FRAME DESIGN

DO NOT SCALE DIMENSIONS ON THESE
DRAWINGS. THESE IMAGES ARE
MACHINE REPRODUCTIONS AND MAY
CONTAIN A MARGIN OF ERROR.

REVISIONS	
DATE	NUMBER & DESCRIPTION
7/9/16	
5/30/17	

SCALE: 1/4" = 1'-0"
DATE: 3/4/16
DRAWN BY: DEW
CHECKED BY:

**MCCLAIN RESIDENCE
UNICOI, TN**

JOB NAME:

DW TIMBER FRAME DESIGN
TIMBER FRAME & PANEL HOME DESIGN
WWW.TIMBERFRAMEDESIGN.NET
PHONE: (603)852-8251