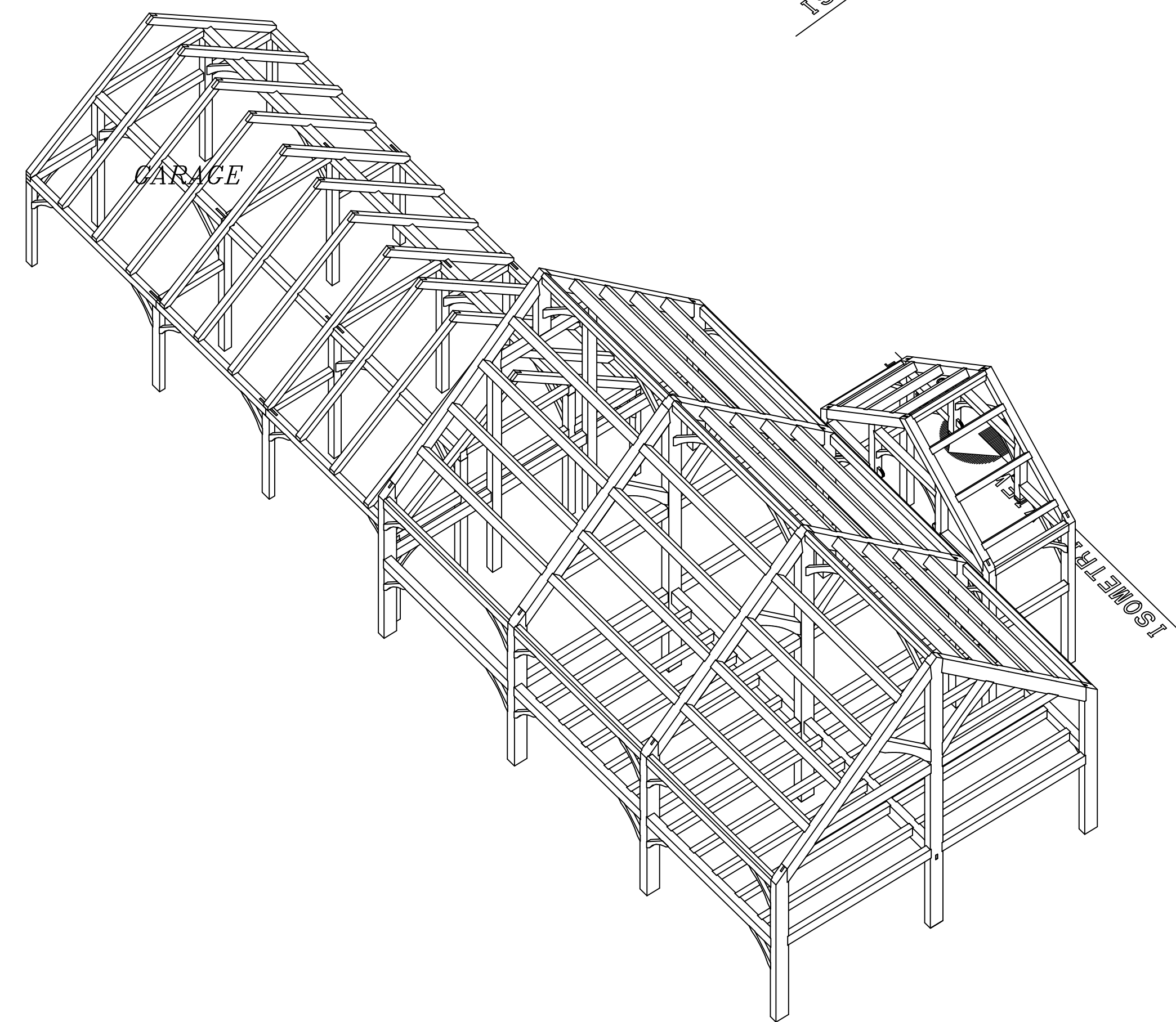
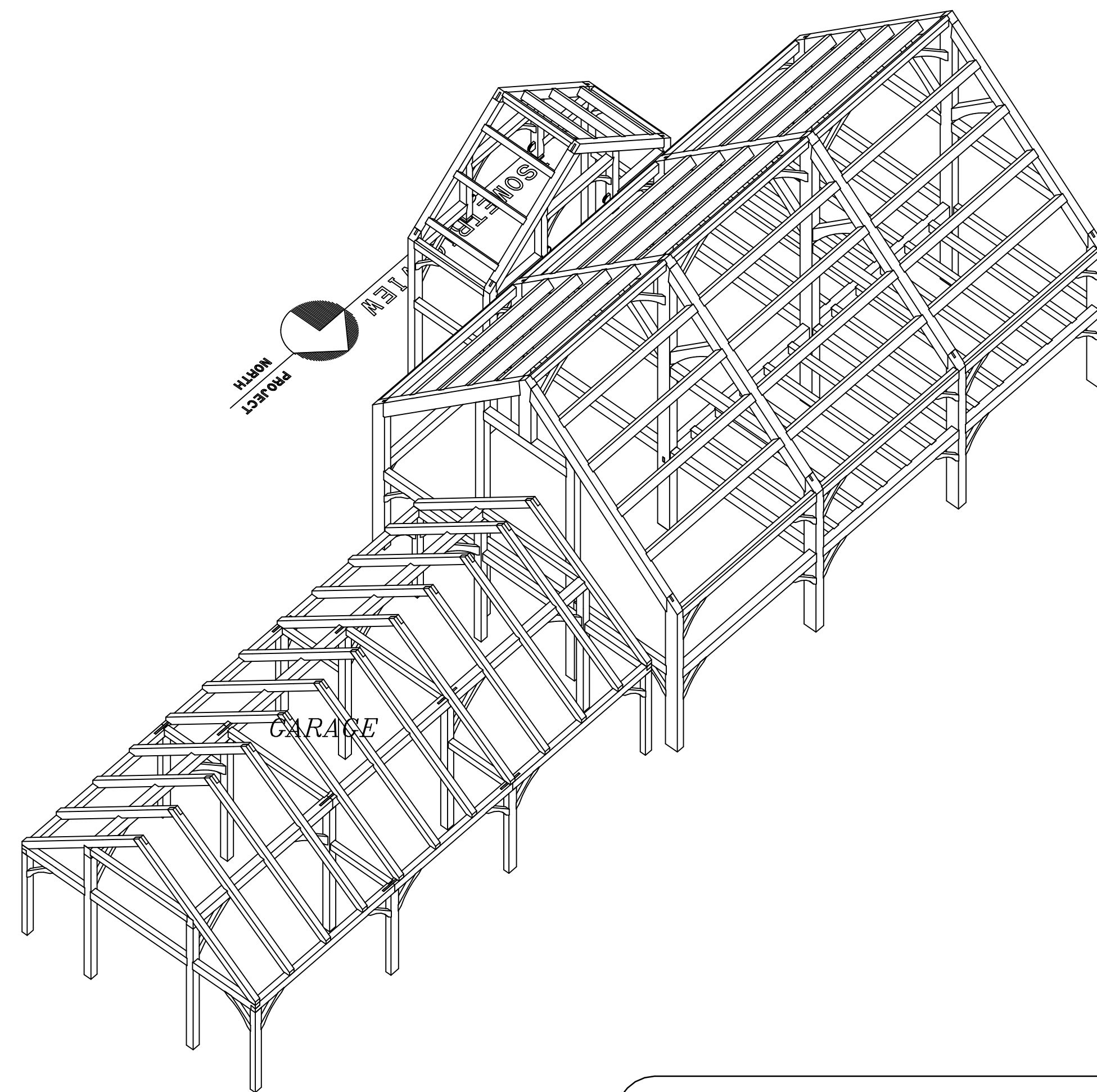
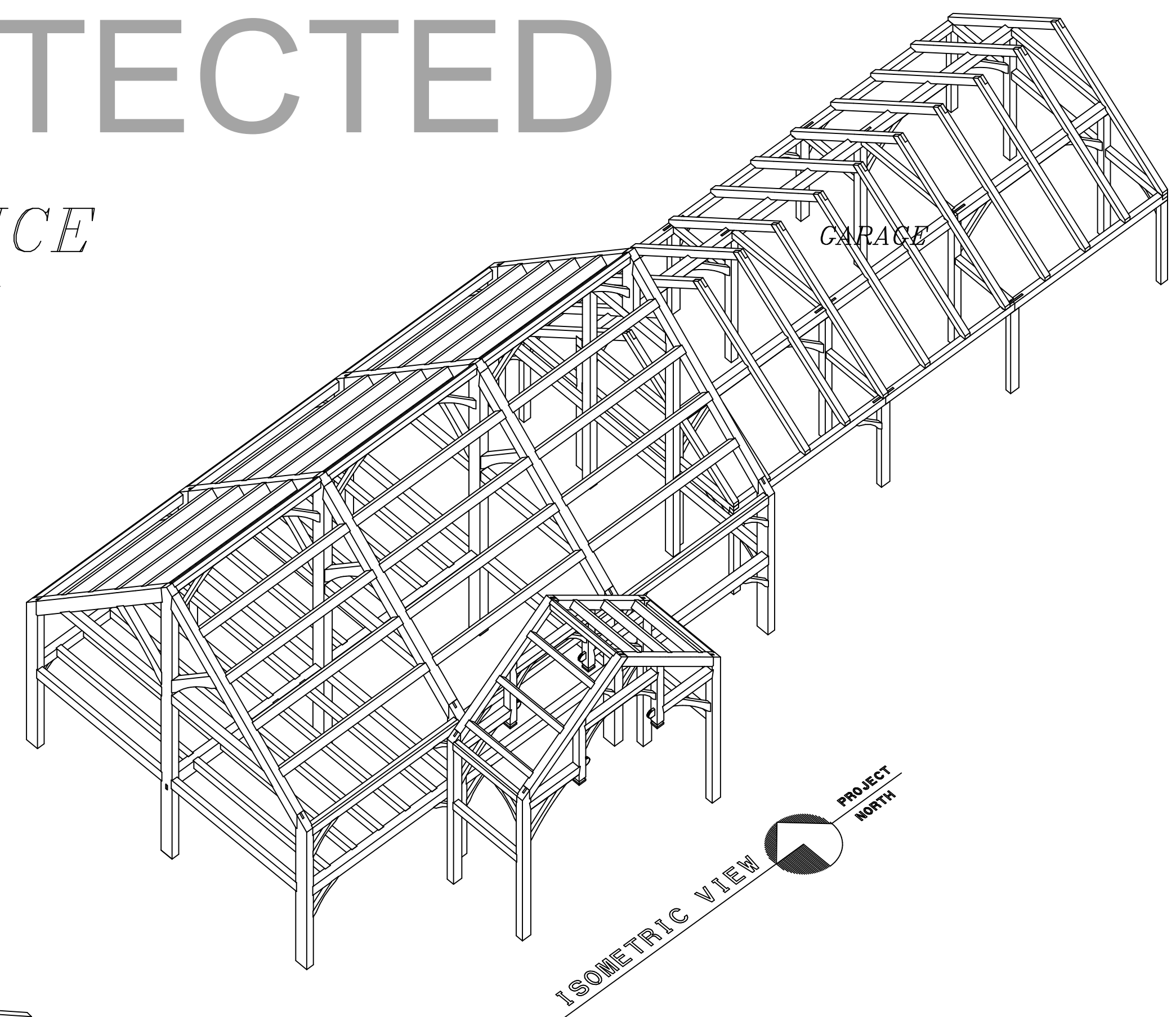
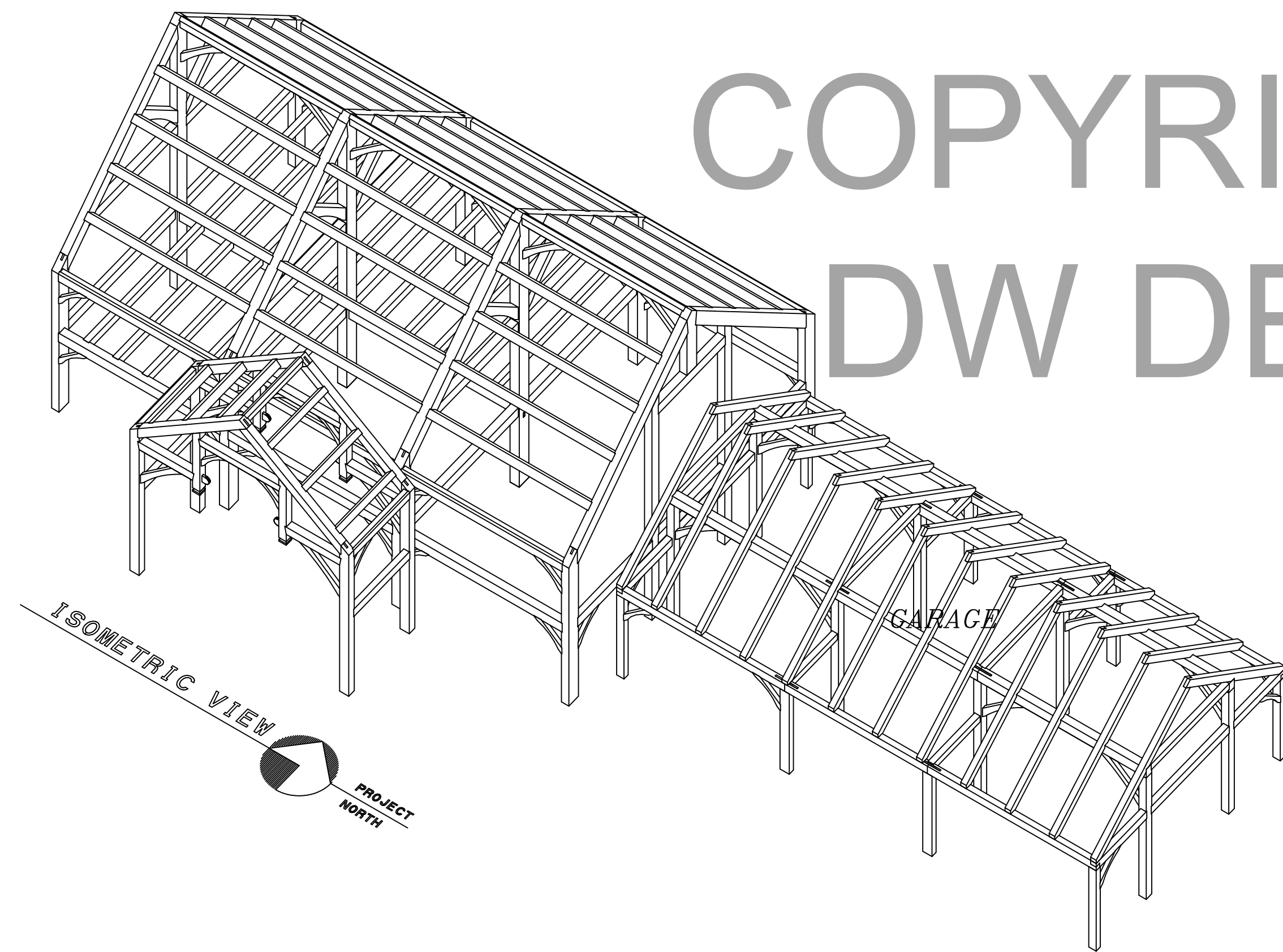


COPYRIGHT PROTECTED

DW DESIGN *HAWKINS RESIDENCE*  
*LYNCHBURG, TN*



COPYRIGHT LAWS PROHIBIT REPRODUCTION OR USE OF THIS DRAWING, IN WHOLE OR IN PART, WITHOUT THE EXPRESSED WRITTEN PERMISSION OF DW TIMBER FRAME DESIGN

DO NOT SCALE DIMENSIONS ON THESE DRAWINGS. THESE IMAGES ARE MACHINE REPRODUCTIONS AND MAY CONTAIN A MARGIN OF ERROR.

**DW TIMBER FRAME DESIGN**

CUSTOMER: HAWKINS

DRAWN BY: DEW

DRAWING NUMBER:

DRAWING: ISOMETRIC VIEW

REVISIONS:

*ISO*

SCALE: NOT TO SCALE DATE: 12/2/15

PROJECT NUMBER:

COPYRIGHT PROTECTED  
DW DESIGN



COPYRIGHT LAWS PROHIBIT REPRODUCTION OR USE OF THIS DRAWING, IN WHOLE OR IN PART, WITHOUT THE EXPRESSED WRITTEN PERMISSION OF DW TIMBER FRAME DESIGN

DO NOT SCALE DIMENSIONS ON THESE DRAWINGS. THESE IMAGES ARE MACHINE REPRODUCTIONS AND MAY CONTAIN A MARGIN OF ERROR.

**DW TIMBER FRAME DESIGN**

CUSTOMER: HAWKINS

DRAWN BY: DEW

DRAWING NUMBER:

DRAWING: ISOMETRIC VIEW

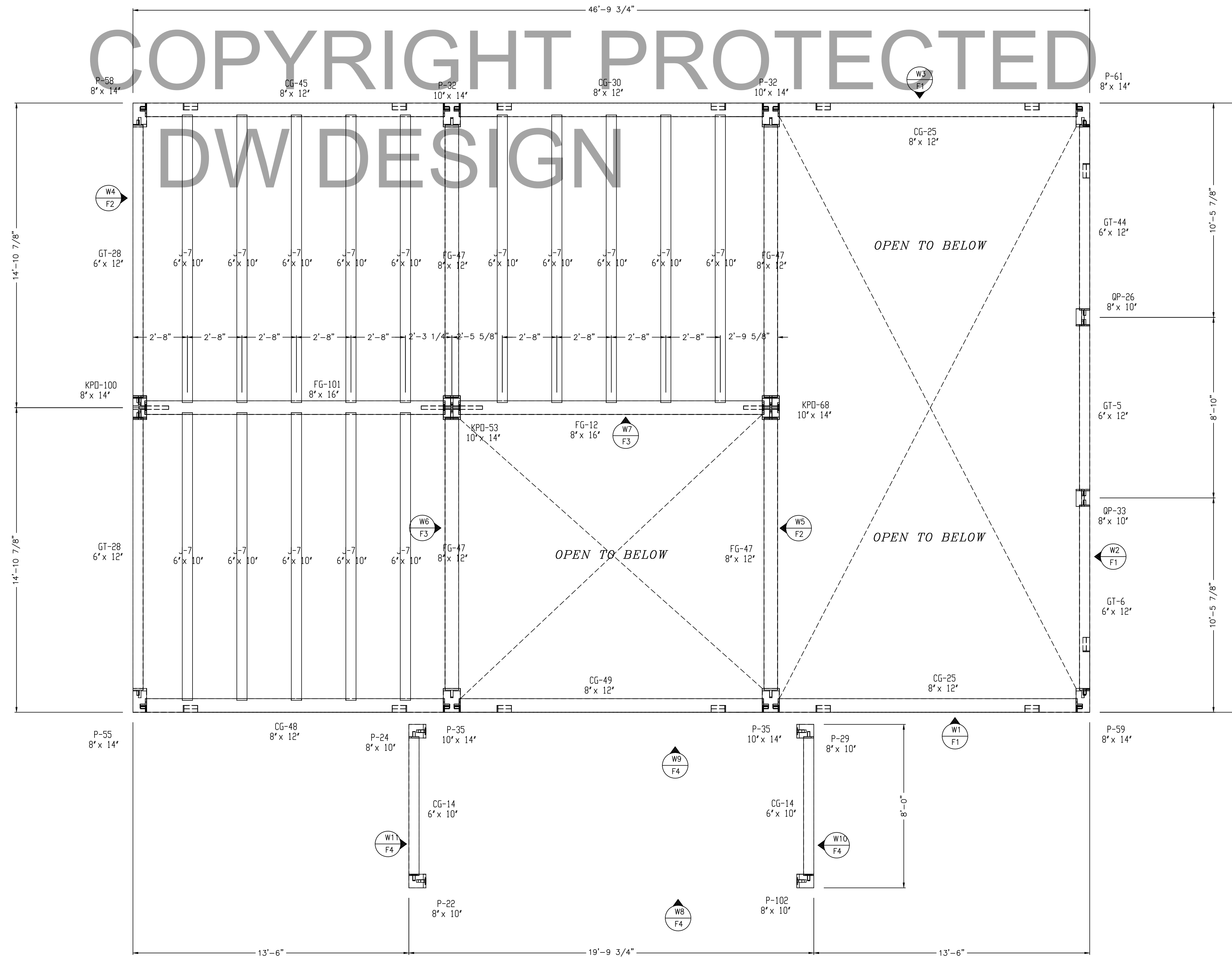
REVISIONS:

*XISO*

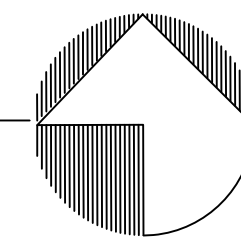
SCALE: NOT TO SCALE DATE: 12/2/15

PROJECT NUMBER:

- BT = BAY TIE
- CT = COLLAR TIE
- CC = CONNECTING CIRT
- EC = EAVE CIRT
- EP = EAVE PLATE
- FC = FLOOR CIRT
- CT = CABLE TIE
- HB = HAMMER BEAM
- HP = HAMMER POST
- HR = HIP RAFTER
- J = JOIST
- LDC = LEDGER
- KPO = KING POST
- P = POST
- PR = PORCH RAFTER
- PT = PURLIN TIE
- PN = BENT PURLIN
- PLN = PRINCIPLE PURLIN
- R = RAFTER
- RB = RIDGE BEAM
- RPN = RIDGE PURLIN
- S = SILL PLATE
- SB = SHORT BRACE
- VR = VALLEY RAFTER



HOUSE  
POST PLAN & WALL KEY



PROJECT  
NORTH

ALL FRAME MEMBERS ARE OF OAK  
(SUBSTITUTE SPECIES WILL BE NOTED)

NOTE: ALL FRAME WALLS ARE VIEWED FROM  
OUTSIDE UNLESS NOTED OTHERWISE

COPYRIGHT LAWS PROHIBIT REPRODUCTION OR USE OF THIS DRAWING,  
IN WHOLE OR IN PART, WITHOUT THE EXPRESSED WRITTEN PERMISSION  
OF DW TIMBER FRAME DESIGN

DO NOT SCALE DIMENSIONS ON THESE  
DRAWINGS. THESE IMAGES ARE  
MACHINE REPRODUCTIONS AND MAY  
CONTAIN A MARGIN OF ERROR.

**DW TIMBER FRAME DESIGN**

CUSTOMER: HAWKINS

DRAWN BY: DEW

DRAWING: POST PLAN, WALL KEY

REVISIONS:

SCALE: 3/8" = 1' - 0"

DATE: 12/2/15

PROJECT NUMBER:

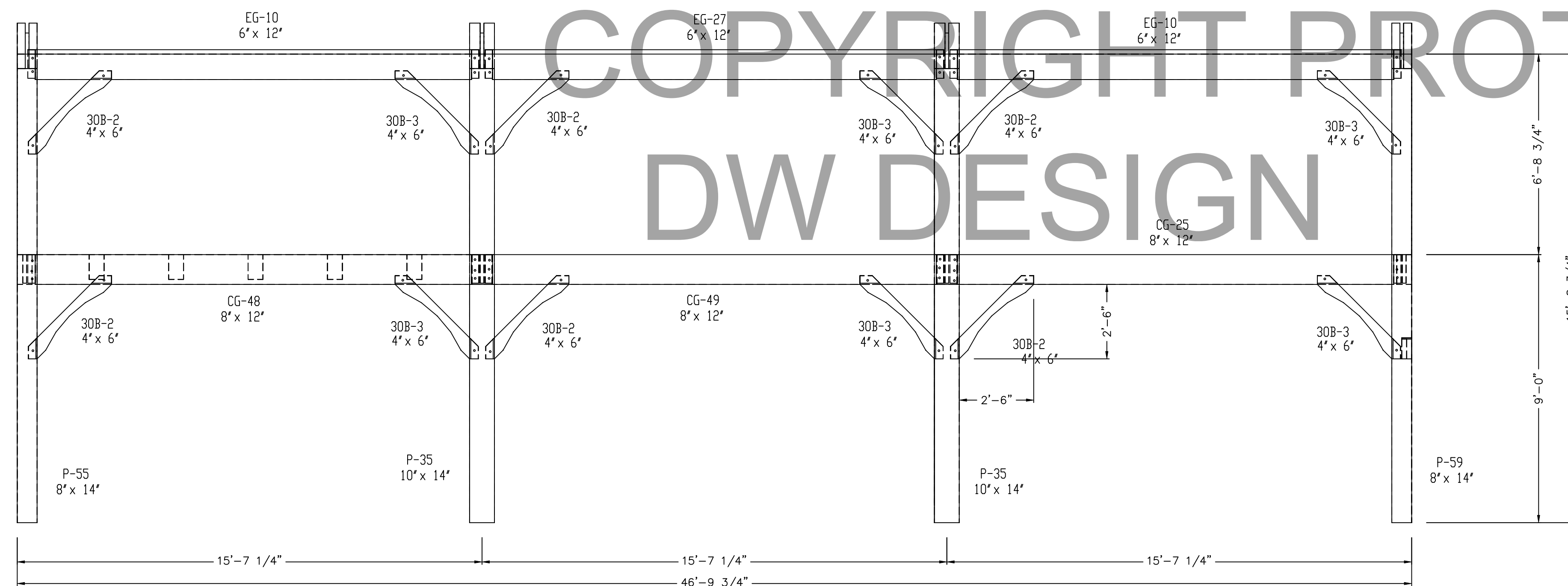
DRAWING  
NUMBER:

PP

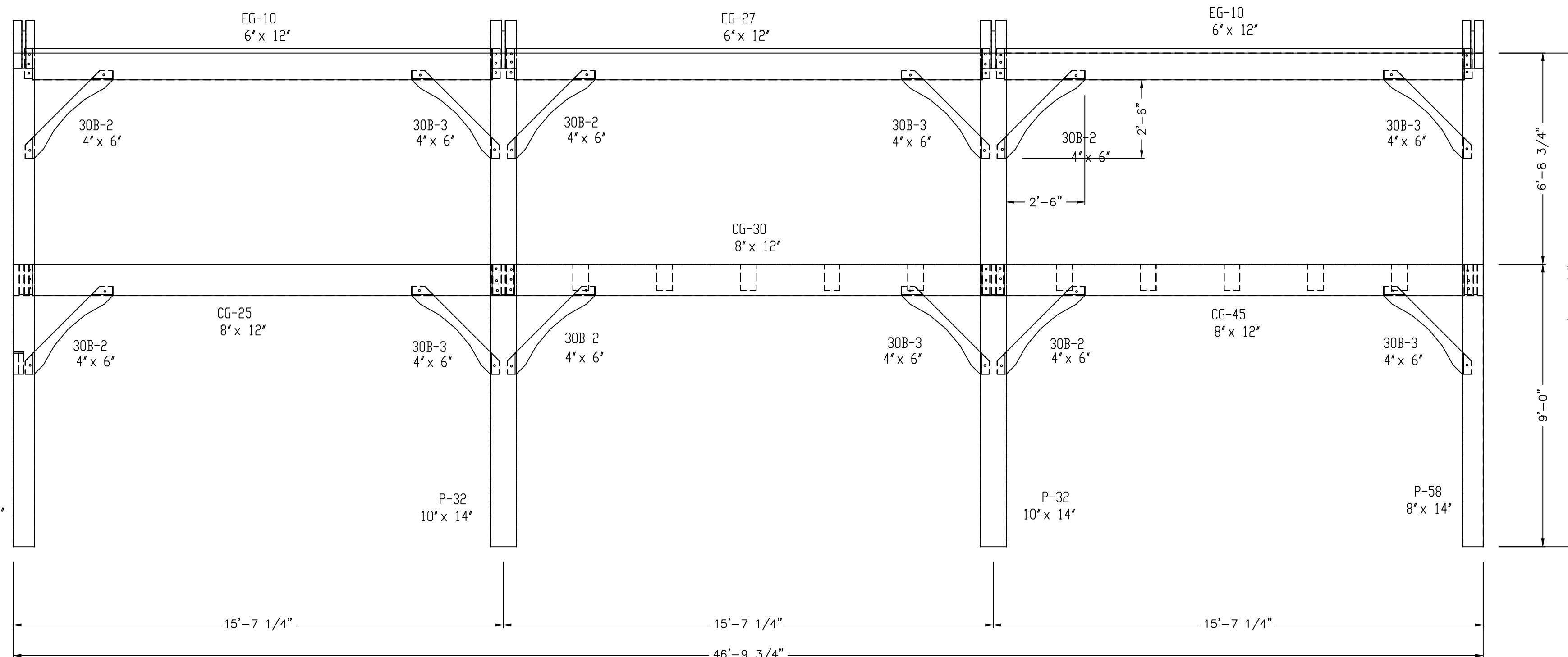
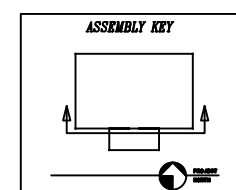


COPYRIGHT PROTECTED  
DW DESIGN

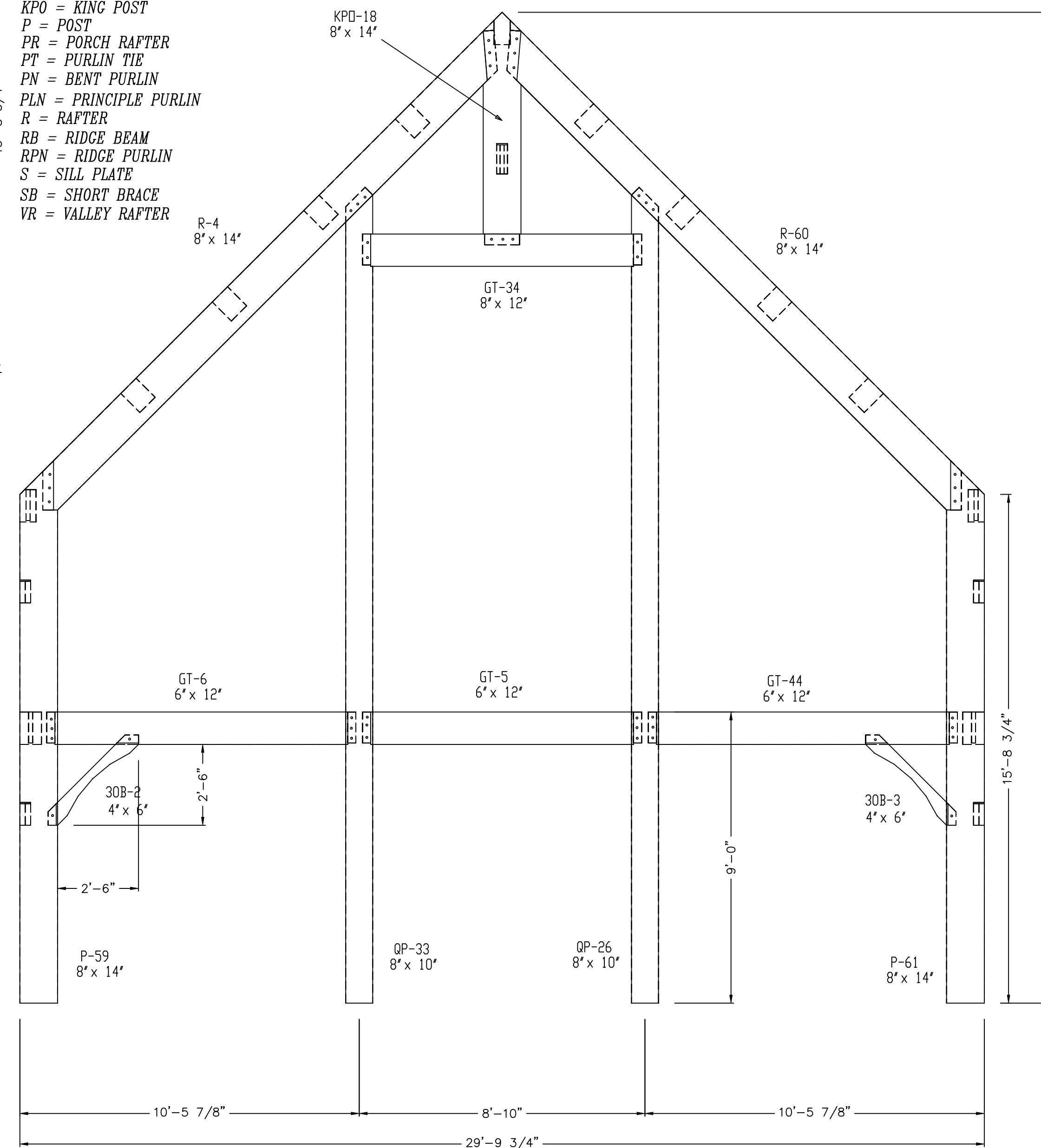
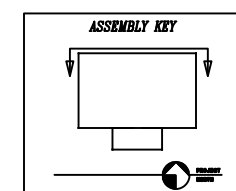
- BT = BAY TIE
- CT = COLLAR TIE
- CC = CONNECTING CIRT
- EG = EAVE CIRT
- EP = EAVE PLATE
- FG = FLOOR CIRT
- CT = CABLE TIE
- HB = HAMMER BEAM
- HP = HAMMER POST
- HR = HIP RAFTER
- J = JOIST
- LDC = LEDGER
- KPO = KING POST
- P = POST
- PR = PORCH RAFTER
- PT = PURLIN TIE
- PN = BENT PURLIN
- PLN = PRINCIPLE PURLIN
- R = RAFTER
- RB = RIDGE BEAM
- RPN = RIDGE PURLIN
- S = SILL PLATE
- SB = SHORT BRACE
- VR = VALLEY RAFTER



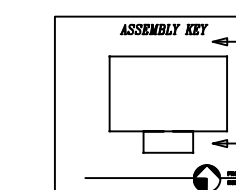
WALL 1  
SOUTH ELEVATION



WALL 3  
NORTH ELEVATION



WALL 2  
EAST ELEVATION



ALL FRAME MEMBERS ARE OF OAK  
(SUBSTITUTE SPECIES WILL BE NOTED)

NOTE: ALL FRAME WALLS ARE VIEWED FROM  
OUTSIDE UNLESS NOTED OTHERWISE

COPYRIGHT LAWS PROHIBIT REPRODUCTION OR USE OF THIS DRAWING,  
IN WHOLE OR IN PART, WITHOUT THE EXPRESSED WRITTEN PERMISSION  
OF DW TIMBER FRAME DESIGN

DO NOT SCALE DIMENSIONS ON THESE  
DRAWINGS. THESE IMAGES ARE  
MACHINE REPRODUCTIONS AND MAY  
CONTAIN A MARGIN OF ERROR.

DW TIMBER FRAME DESIGN

CUSTOMER: HAWKINS

DRAWN BY: DEW

DRAWING  
NUMBER:

DRAWING: WALL 1, 2, 3

REVISIONS:

F1

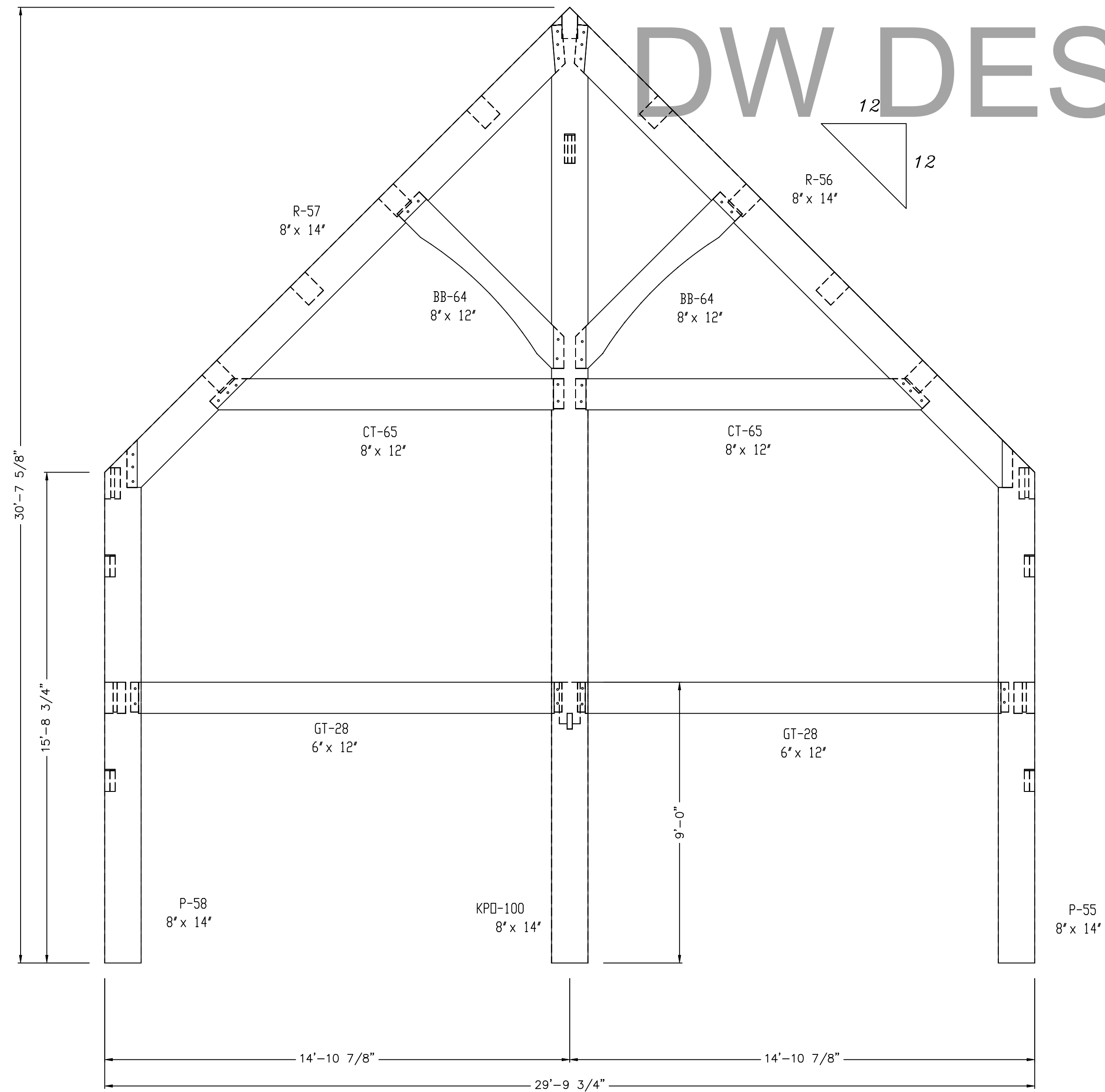
SCALE: 3/8" = 1' - 0"

DATE: 12/2/15

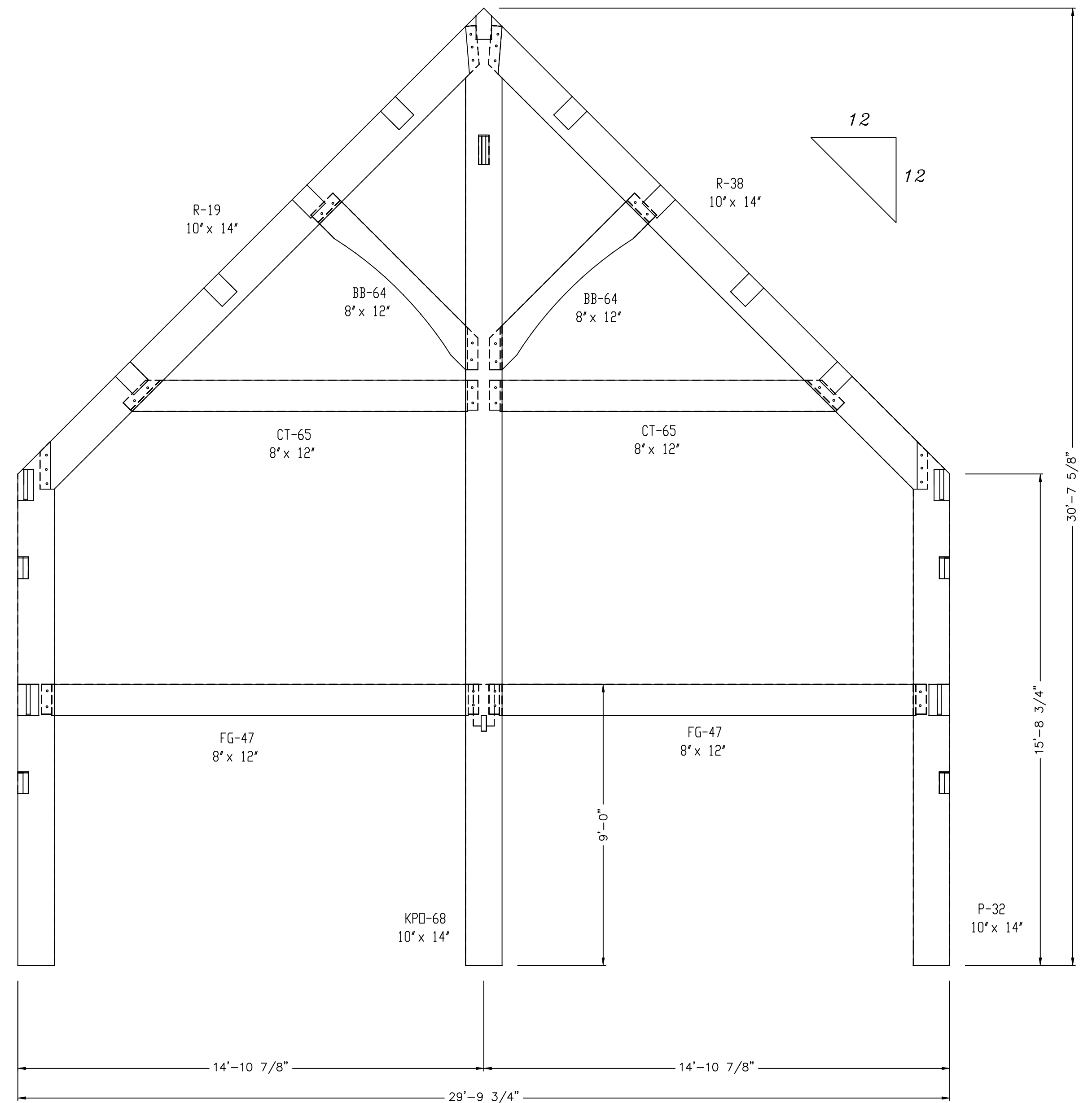
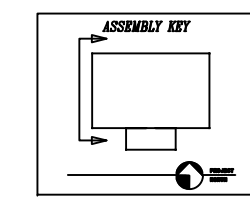
PROJECT NUMBER:

# COPYRIGHT PROTECTED DW DESIGN

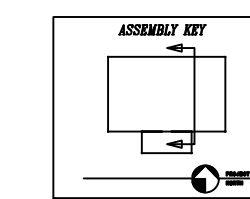
- BT = BAY TIE
- CT = COLLAR TIE
- CC = CONNECTING GIRT
- EC = EAVE GIRT
- EP = EAVE PLATE
- FG = FLOOR GIRT
- CT = CABLE TIE
- HB = HAMMER BEAM
- HP = HAMMER POST
- HR = HIP RAFTER
- J = JOIST
- LDC = LEDGER
- KPO = KING POST
- P = POST
- PR = PORCH RAFTER
- PT = PURLIN TIE
- PN = BENT PURLIN
- PLN = PRINCIPLE PURLIN
- R = RAFTER
- RB = RIDGE BEAM
- RPN = RIDGE PURLIN
- S = SILL PLATE
- SB = SHORT BRACE
- VR = VALLEY RAFTER



*WALL 4  
WEST ELEVATION*



*WALL 5  
VIEWED FROM EAST*



ALL FRAME MEMBERS ARE OF OAK  
(SUBSTITUTE SPECIES WILL BE NOTED)

NOTE: ALL FRAME WALLS ARE VIEWED FROM  
OUTSIDE UNLESS NOTED OTHERWISE

COPYRIGHT LAWS PROHIBIT REPRODUCTION OR USE OF THIS DRAWING,  
IN WHOLE OR IN PART, WITHOUT THE EXPRESSED WRITTEN PERMISSION  
OF DW TIMBER FRAME DESIGN

DO NOT SCALE DIMENSIONS ON THESE  
DRAWINGS. THESE IMAGES ARE  
MACHINE REPRODUCTIONS AND MAY  
CONTAIN A MARGIN OF ERROR.

**DW TIMBER FRAME DESIGN**

CUSTOMER: HAWKINS

DRAWN BY: DEW

DRAWING  
NUMBER:

DRAWING: WALL 4, 5

REVISIONS:

*F2*

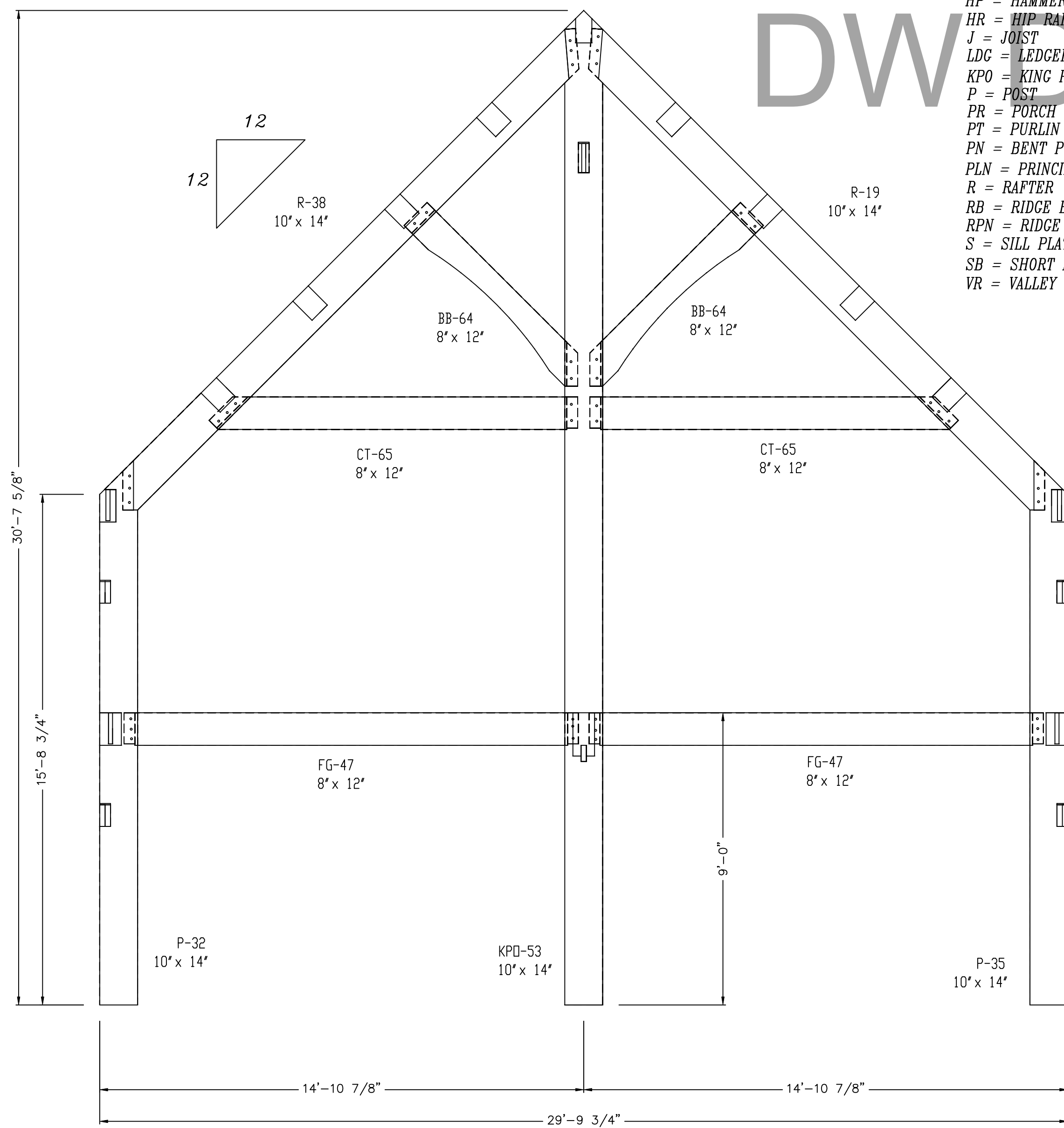
SCALE: 3/8" = 1' - 0"

DATE: 12/2/15

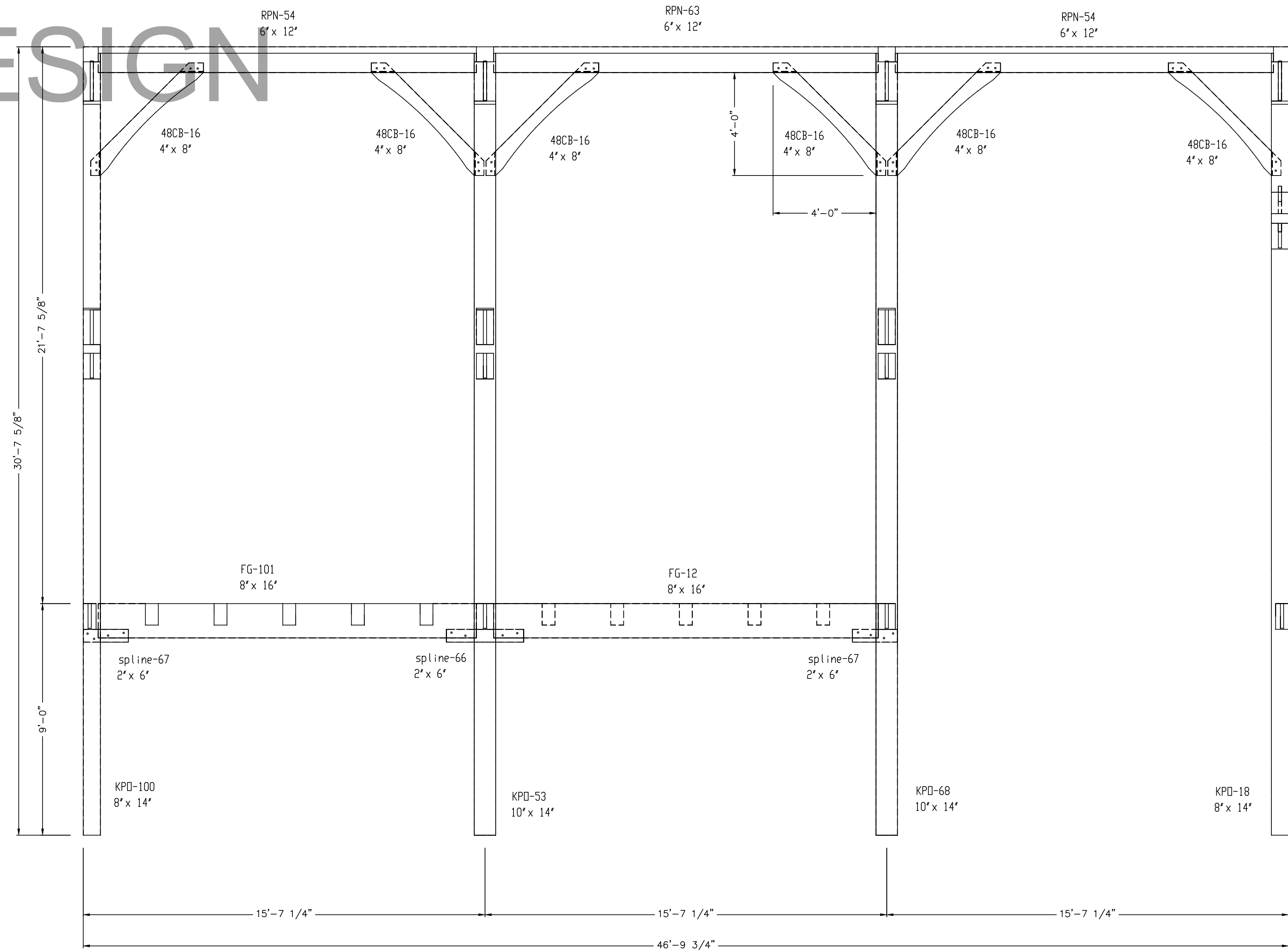
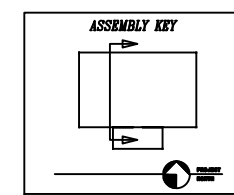
PROJECT NUMBER:

# COPYRIGHT PROTECTED DW DESIGN

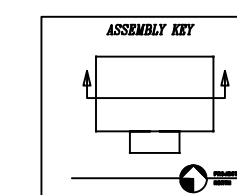
- BT = BAY TIE
- CT = COLLAR TIE
- CC = CONNECTING GIRT
- EC = EAVE GIRT
- EP = EAVE PLATE
- FG = FLOOR GIRT
- GT = GABLE TIE
- HB = HAMMER BEAM
- HP = HAMMER POST
- HR = HIP RAFTER
- J = JOIST
- LDC = LEDGER
- KPO = KING POST
- P = POST
- PR = PORCH RAFTER
- PT = PURLIN TIE
- PN = BENT PURLIN
- PLN = PRINCIPLE PURLIN
- R = RAFTER
- RB = RIDGE BEAM
- RPN = RIDGE PURLIN
- S = SILL PLATE
- SB = SHORT BRACE
- VR = VALLEY RAFTER



**WALL 6**  
VIEWED FROM WEST



**WALL 7**  
VIEWED FROM SOUTH



ALL FRAME MEMBERS ARE OF OAK  
(SUBSTITUTE SPECIES WILL BE NOTED)

NOTE: ALL FRAME WALLS ARE VIEWED FROM  
OUTSIDE UNLESS NOTED OTHERWISE

COPYRIGHT LAWS PROHIBIT REPRODUCTION OR USE OF THIS DRAWING,  
IN WHOLE OR IN PART, WITHOUT THE EXPRESSED WRITTEN PERMISSION  
OF DW TIMBER FRAME DESIGN

DO NOT SCALE DIMENSIONS ON THESE  
DRAWINGS. THESE IMAGES ARE  
MACHINE REPRODUCTIONS AND MAY  
CONTAIN A MARGIN OF ERROR.

## DW TIMBER FRAME DESIGN

CUSTOMER: HAWKINS

DRAWN BY: DEW

DRAWING: WALL 6, 7

REVISIONS:

SCALE: 3/8" = 1' - 0"

DATE: 12/2/15

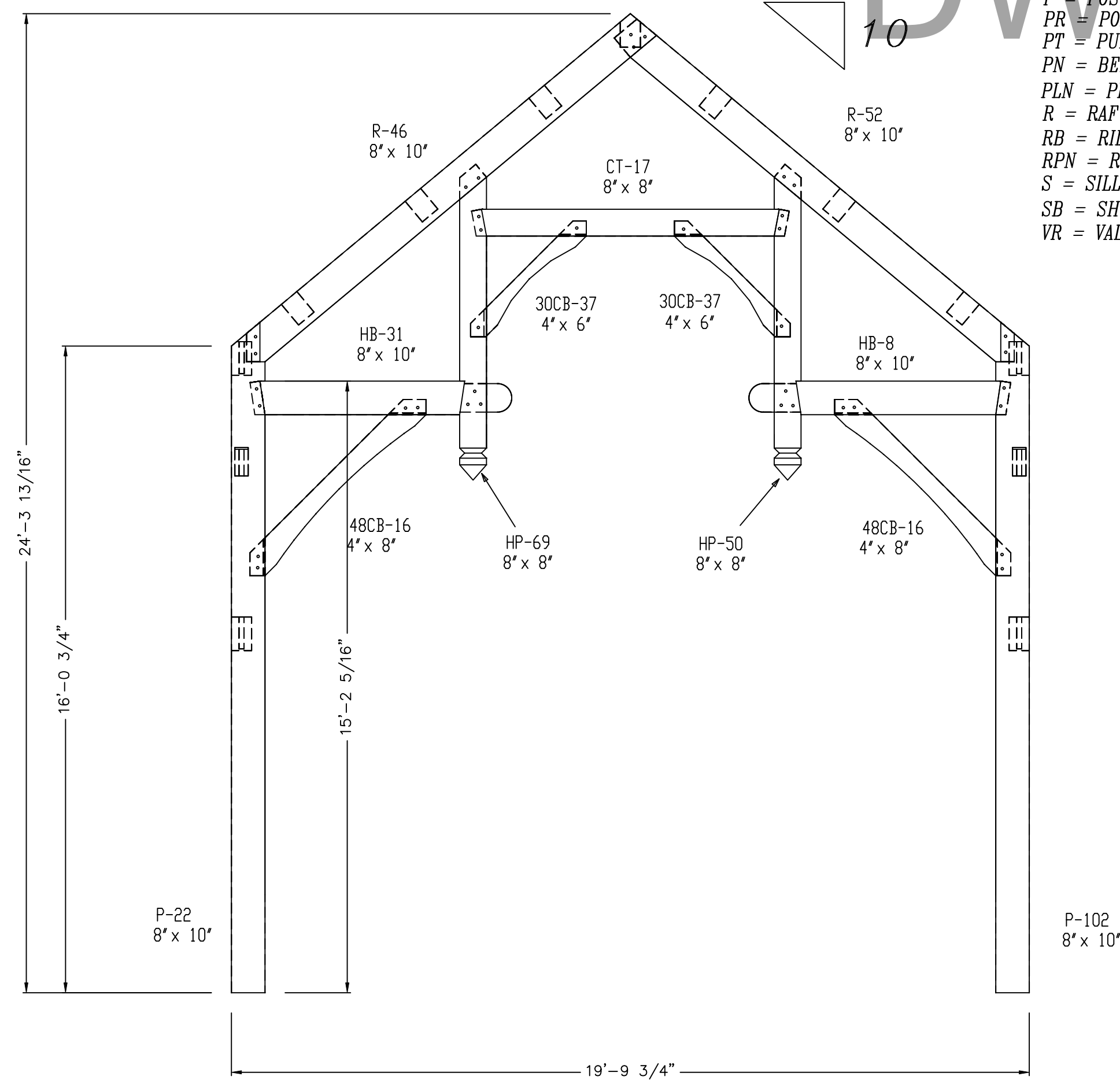
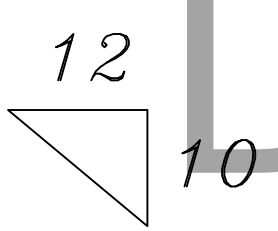
PROJECT NUMBER:

DRAWING  
NUMBER:

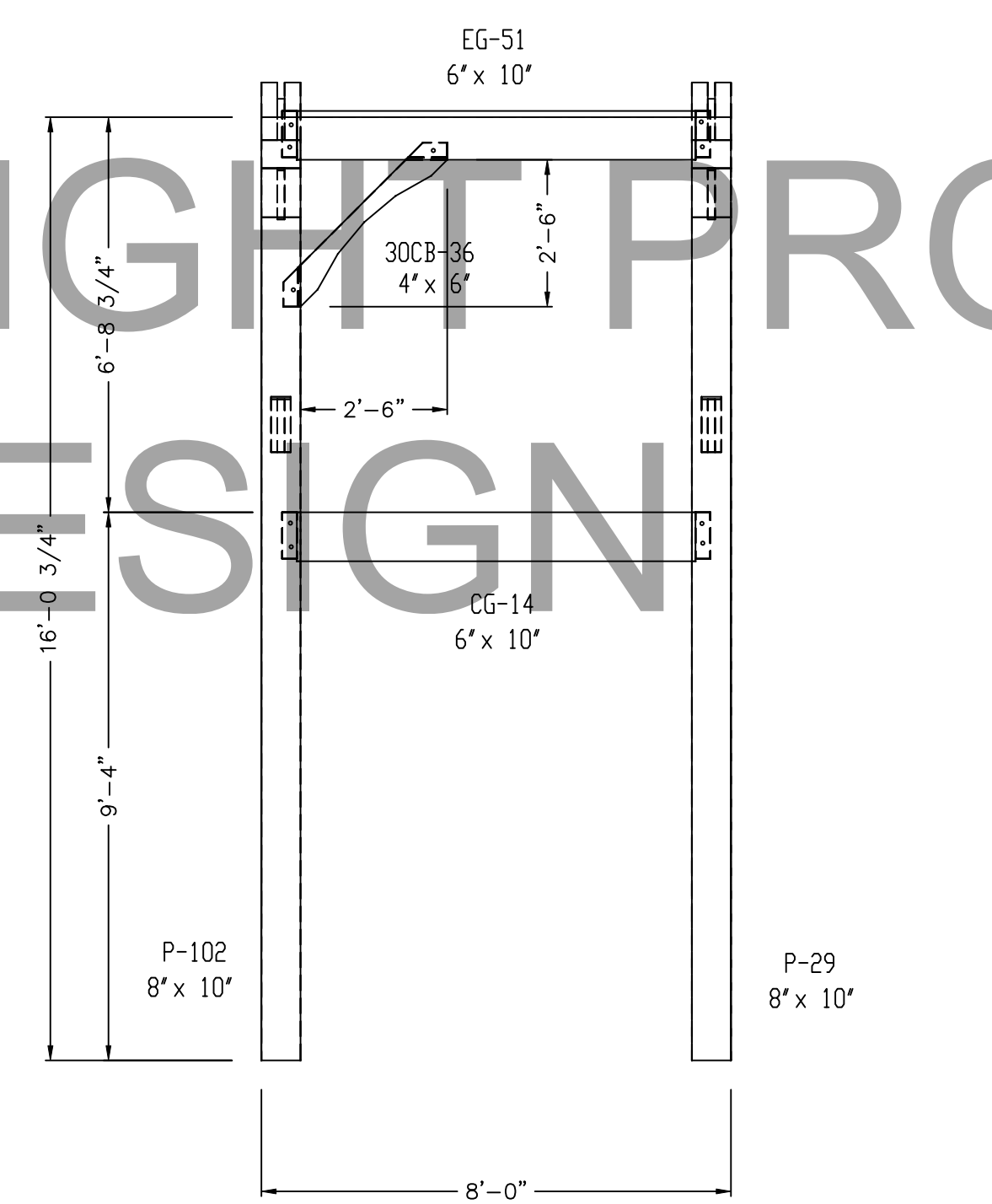
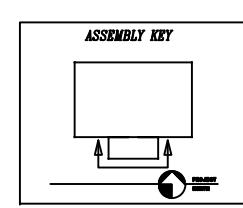
F3

COPYRIGHT PROTECTED  
DW DESIGN

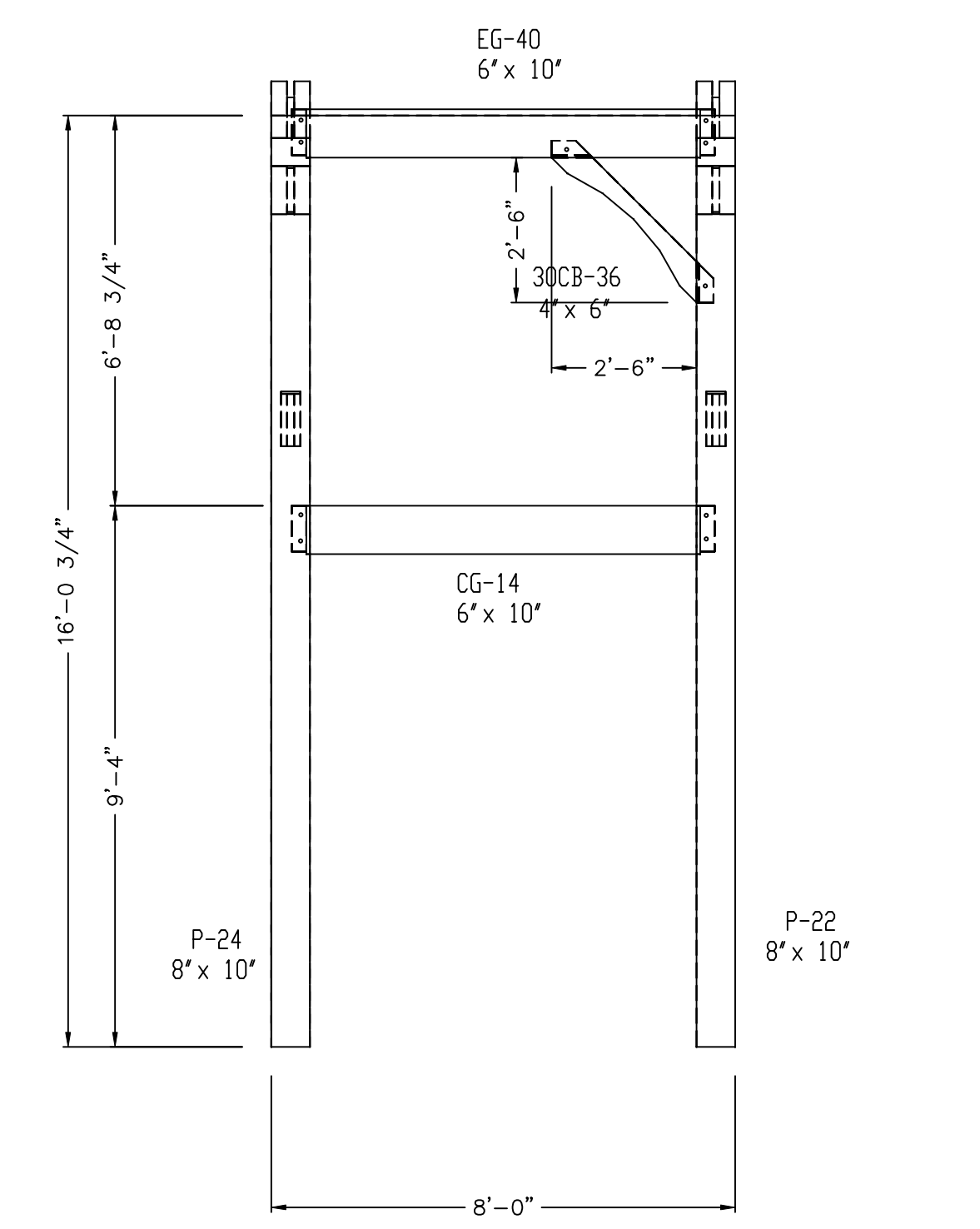
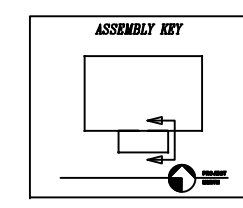
- BT = BAY TIE
- CT = COLLAR TIE
- CC = CONNECTING GIRT
- EG = EAVE GIRT
- EP = EAVE PLATE
- FC = FLOOR GIRT
- GT = GABLE TIE
- HB = HAMMER BEAM
- HP = HAMMER POST
- HR = HIP RAFTER
- J = JOIST
- LDC = LEDGER
- KPO = KING POST
- P = POST
- PR = PORCH RAFTER
- PT = PURLIN TIE
- PN = BENT PURLIN
- PLN = PRINCIPLE PURLIN
- R = RAFTER
- RB = RIDGE BEAM
- RPN = RIDGE PURLIN
- S = SILL PLATE
- SB = SHORT BRACE
- VR = VALLEY RAFTER



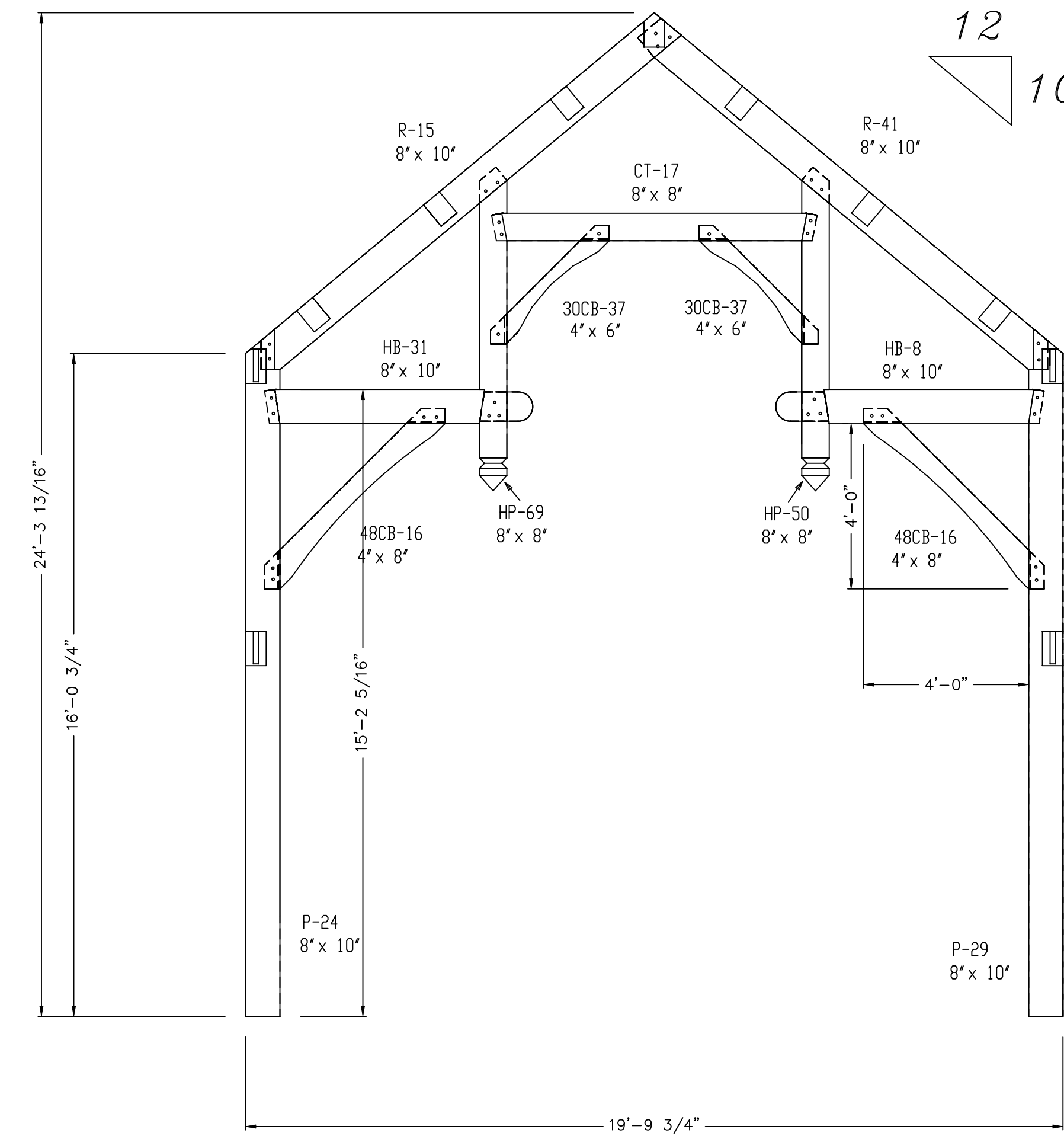
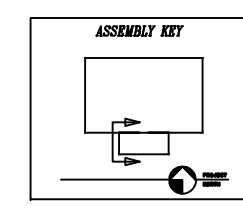
WALL 8  
SOUTH ELEVATION



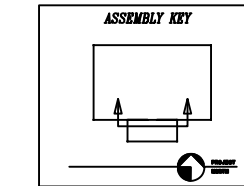
WALL 10  
EAST ELEVATION



WALL 11  
WEST ELEVATION



WALL 9  
VIEWED FROM SOUTH



ALL FRAME MEMBERS ARE OF OAK  
(SUBSTITUTE SPECIES WILL BE NOTED)

NOTE: ALL FRAME WALLS ARE VIEWED FROM  
OUTSIDE UNLESS NOTED OTHERWISE

COPYRIGHT LAWS PROHIBIT REPRODUCTION OR USE OF THIS DRAWING,  
IN WHOLE OR IN PART, WITHOUT THE EXPRESSED WRITTEN PERMISSION  
OF DW TIMBER FRAME DESIGN

DO NOT SCALE DIMENSIONS ON THESE  
DRAWINGS. THESE IMAGES ARE  
MACHINE REPRODUCTIONS AND MAY  
CONTAIN A MARGIN OF ERROR.

**DW TIMBER FRAME DESIGN**

CUSTOMER: HAWKINS

DRAWN BY: DEW

DRAWING  
NUMBER:

DRAWING: WALL 8, 9, 10, 11

REVISIONS:

F4

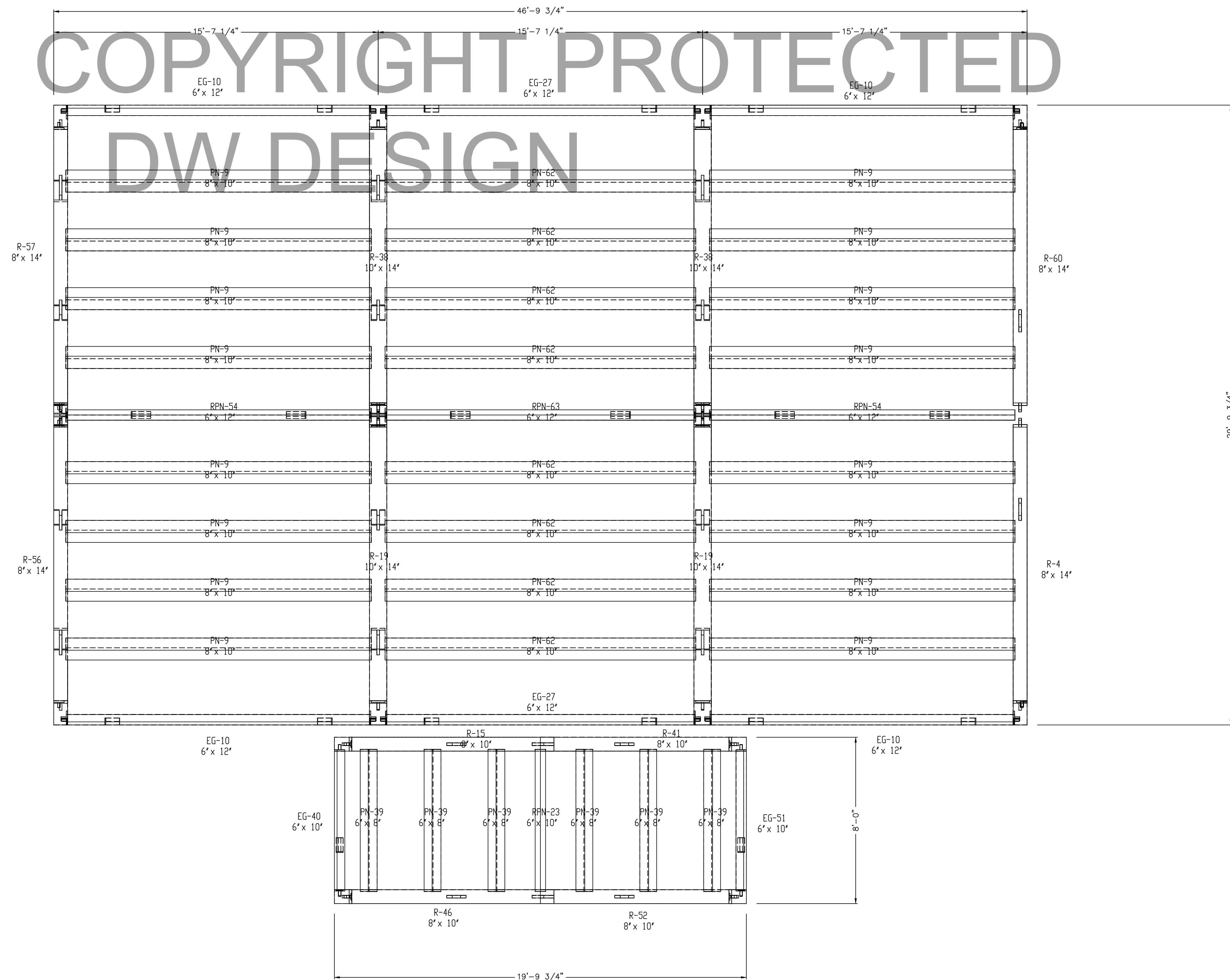
SCALE: 3/8" = 1' - 0"

DATE: 12/2/15

PROJECT NUMBER:

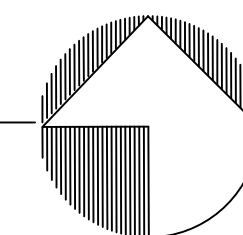
COPYRIGHT PROTECTED  
DW DESIGN

- BT = BAY TIE
- CT = COLLAR TIE
- CC = CONNECTING GIRT
- EC = EAVE GIRT
- EP = EAVE PLATE
- FC = FLOOR GIRT
- GT = GABLE TIE
- HB = HAMMER BEAM
- HP = HAMMER POST
- HR = HIP RAFTER
- J = JOIST
- LDC = LEDGER
- KPO = KING POST
- P = POST
- PR = PORCH RAFTER
- PT = PURLIN TIE
- PN = BENT PURLIN
- PLN = PRINCIPLE PURLIN
- R = RAFTER
- RB = RIDGE BEAM
- RPN = RIDGE PURLIN
- S = SILL PLATE
- SB = SHORT BRACE
- VR = VALLEY RAFTER



ALL FRAME MEMBERS ARE OF OAK  
(SUBSTITUTE SPECIES WILL BE NOTED)

ROOF SYSTEM  
HOUSE



PROJECT  
NORTH

NOTE: ALL FRAME WALLS ARE VIEWED FROM  
OUTSIDE UNLESS NOTED OTHERWISE

COPYRIGHT LAWS PROHIBIT REPRODUCTION OR USE OF THIS DRAWING,  
IN WHOLE OR IN PART, WITHOUT THE EXPRESSED WRITTEN PERMISSION  
OF DW TIMBER FRAME DESIGN

DO NOT SCALE DIMENSIONS ON THESE  
DRAWINGS. THESE IMAGES ARE  
MACHINE REPRODUCTIONS AND MAY  
CONTAIN A MARGIN OF ERROR.

**DW TIMBER FRAME DESIGN**

CUSTOMER: HAWKINS

DRAWN BY: DEW

DRAWING  
NUMBER:

DRAWING: ROOF SYSTEM

REVISIONS:

F5

SCALE: 3/8" = 1' - 0"

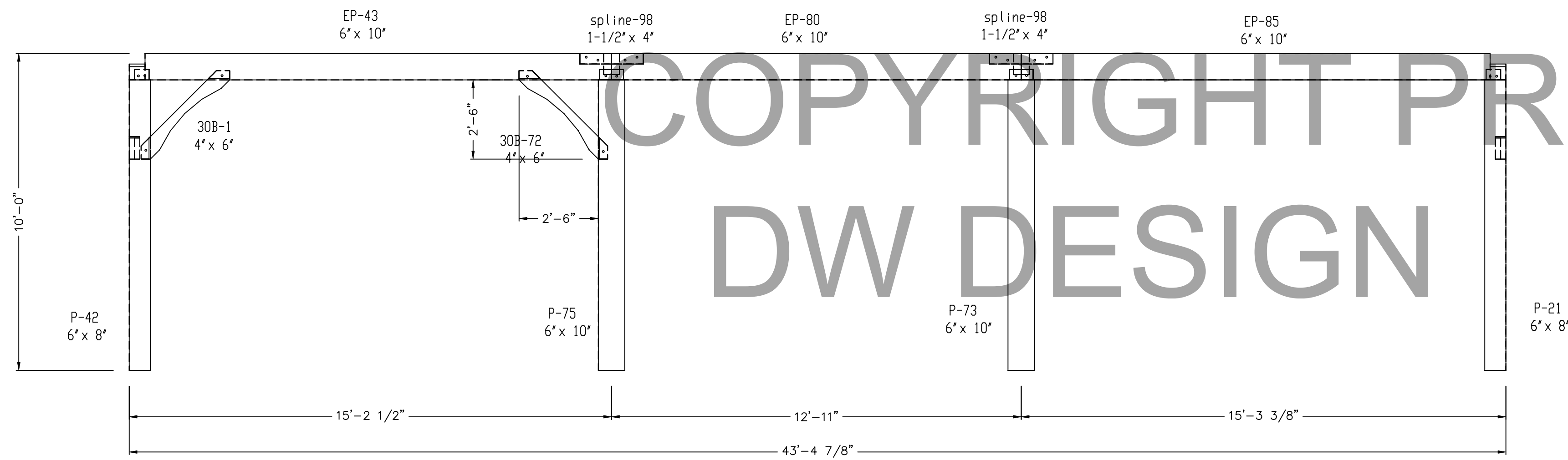
DATE: 12/2/15

PROJECT NUMBER:

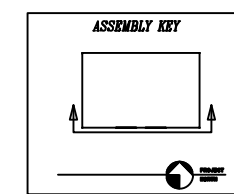




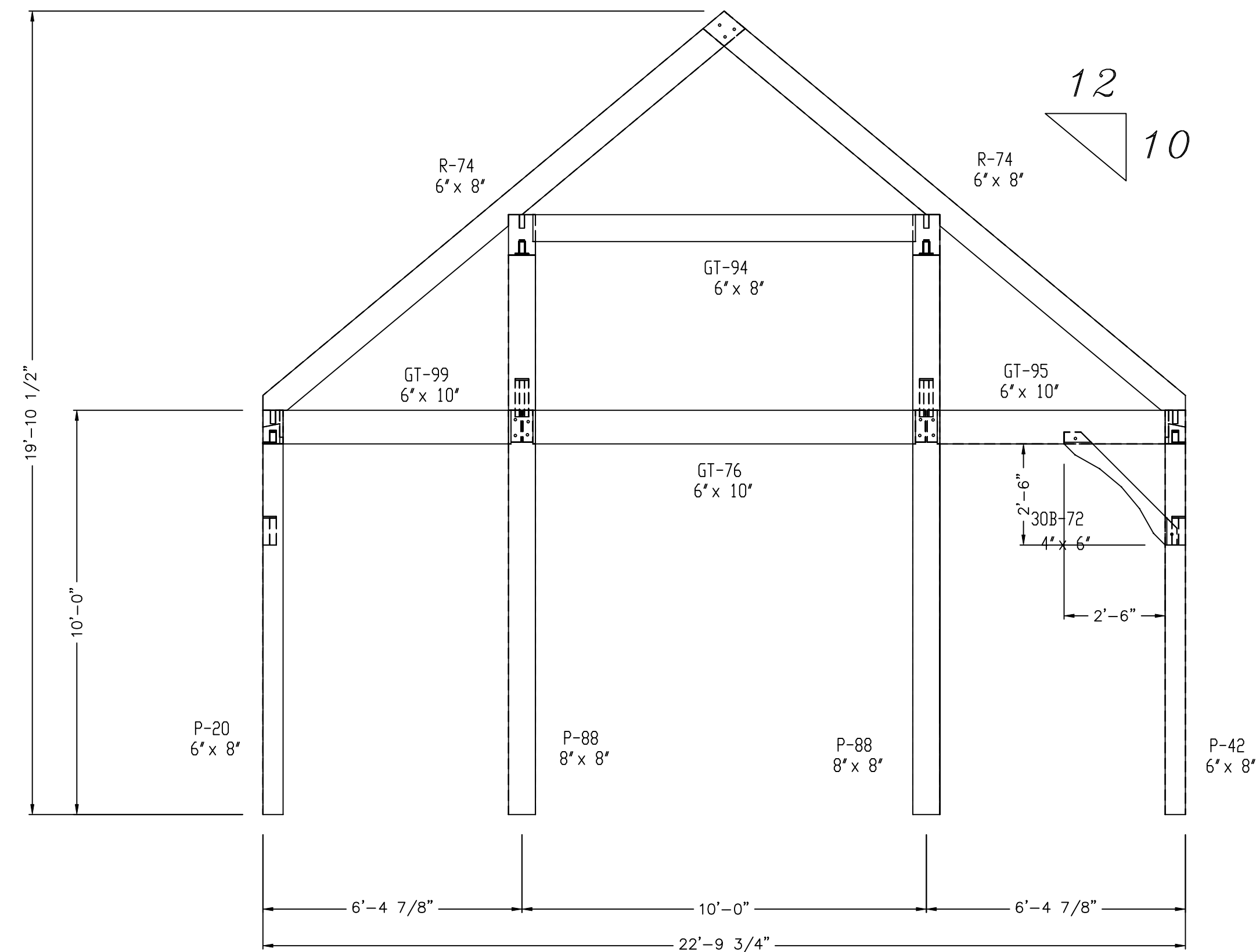
COPYRIGHT PROTECTED  
DW DESIGN



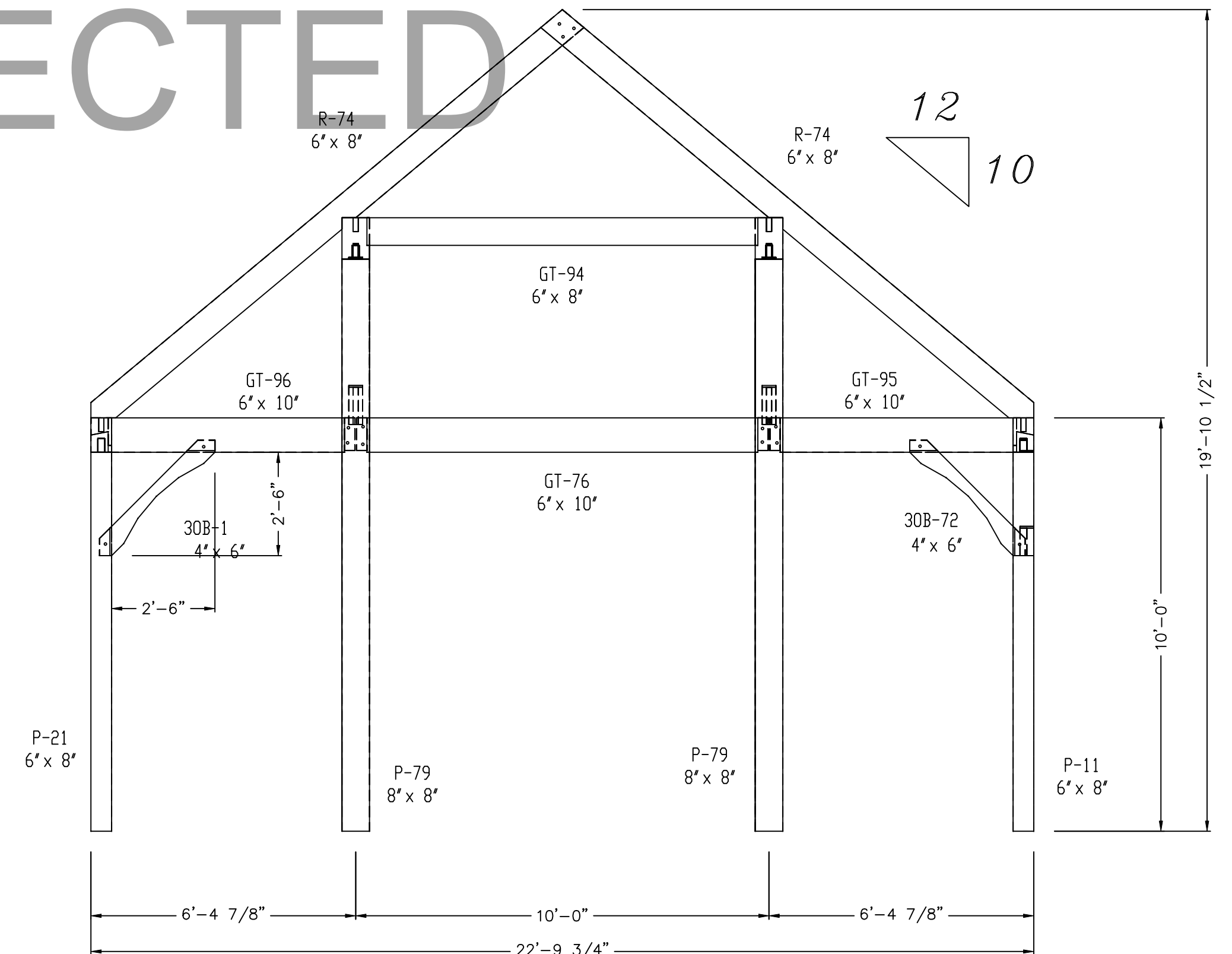
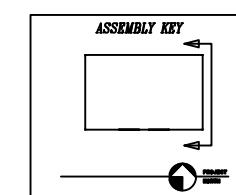
WALL 12  
SOUTH ELEVATION



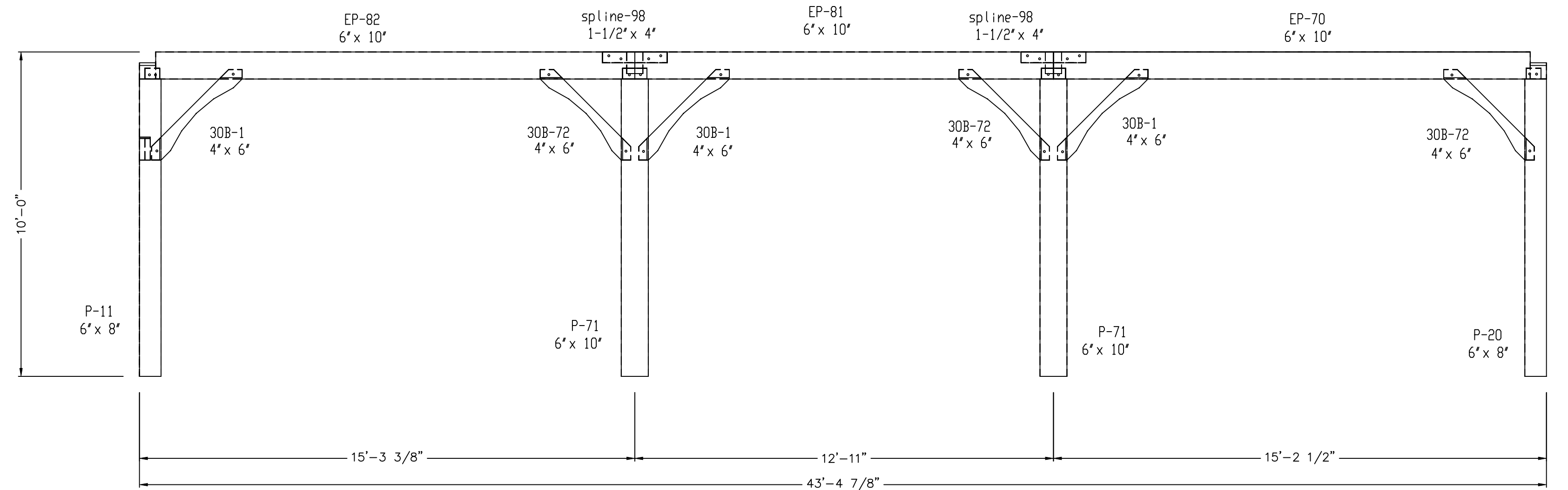
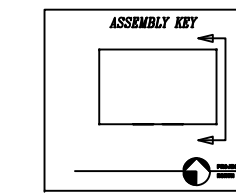
- BT = BAY TIE
- CT = COLLAR TIE
- CC = CONNECTING GIRT
- EC = EAVE GIRT
- EP = EAVE PLATE
- FC = FLOOR GIRT
- GT = GABLE TIE
- HB = HAMMER BEAM
- HP = HAMMER POST
- HR = HIP RAFTER
- J = JOIST
- LDC = LEDGER
- KPO = KING POST
- P = POST
- PR = PORCH RAFTER
- PT = PURLIN TIE
- PN = BENT PURLIN
- PLN = PRINCIPLE PURLIN
- R = RAFTER
- RB = RIDGE BEAM
- RPN = RIDGE PURLIN
- S = SILL PLATE
- SB = SHORT BRACE
- VR = VALLEY RAFTER



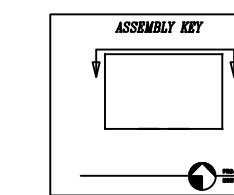
WALL 15  
EAST ELEVATION



WALL 13  
EAST ELEVATION



WALL 14  
NORTH ELEVATION



ALL FRAME MEMBERS ARE OF PINE #2 OR BETTER  
(SUBSTITUTE SPECIES WILL BE NOTED)

NOTE: ALL FRAME WALLS ARE VIEWED FROM  
OUTSIDE UNLESS NOTED OTHERWISE

COPYRIGHT LAWS PROHIBIT REPRODUCTION OR USE OF THIS DRAWING,  
IN WHOLE OR IN PART, WITHOUT THE EXPRESSED WRITTEN PERMISSION  
OF DW TIMBER FRAME DESIGN

DO NOT SCALE DIMENSIONS ON THESE  
DRAWINGS. THESE IMAGES ARE  
MACHINE REPRODUCTIONS AND MAY  
CONTAIN A MARGIN OF ERROR.

**DW TIMBER FRAME DESIGN**

CUSTOMER: HAWKINS

DRAWN BY: DEW

DRAWING  
NUMBER:

DRAWING: WALL 12, 13, 14, 15

REVISIONS:

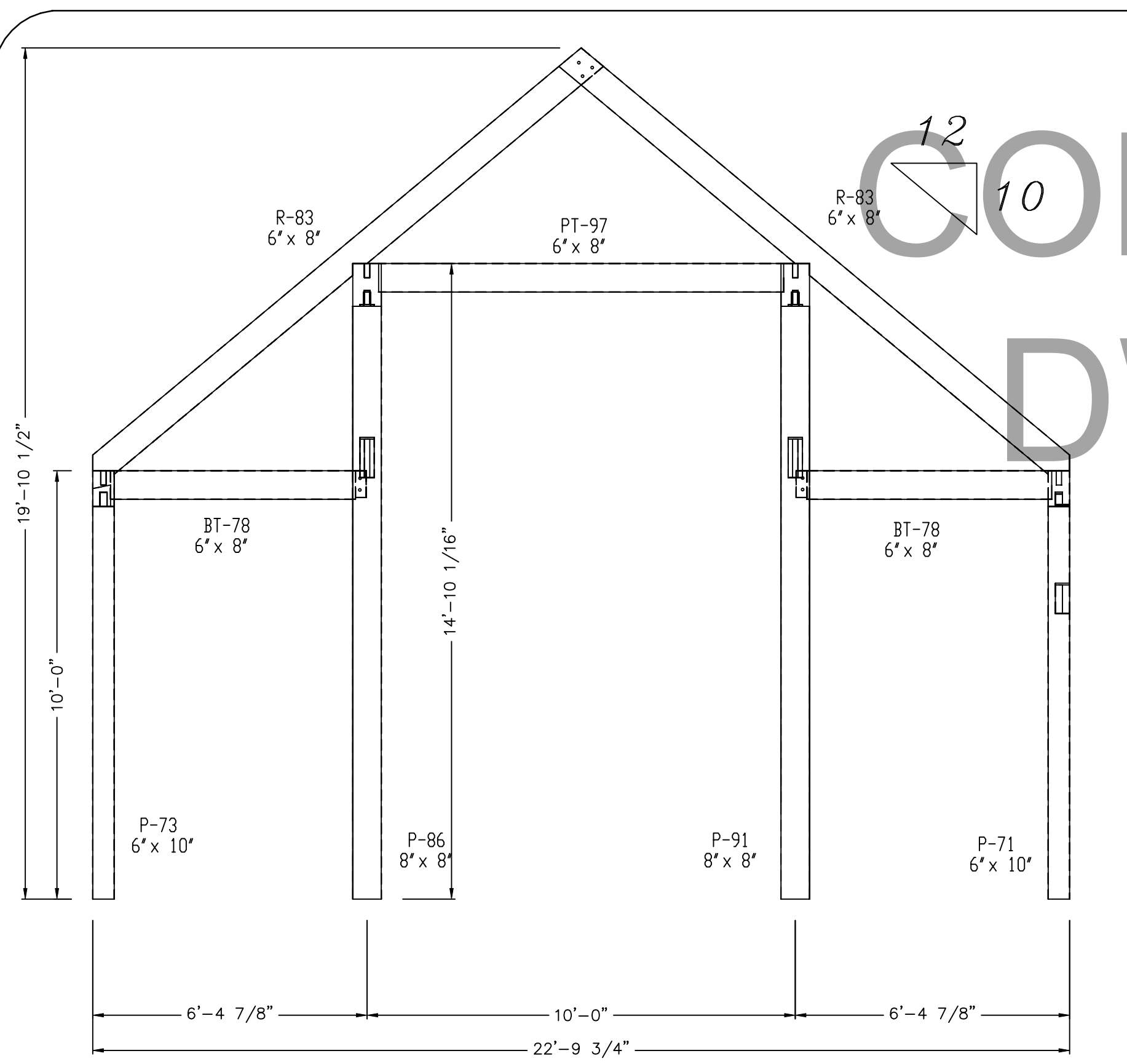
F7

SCALE: 3/8" = 1' - 0"

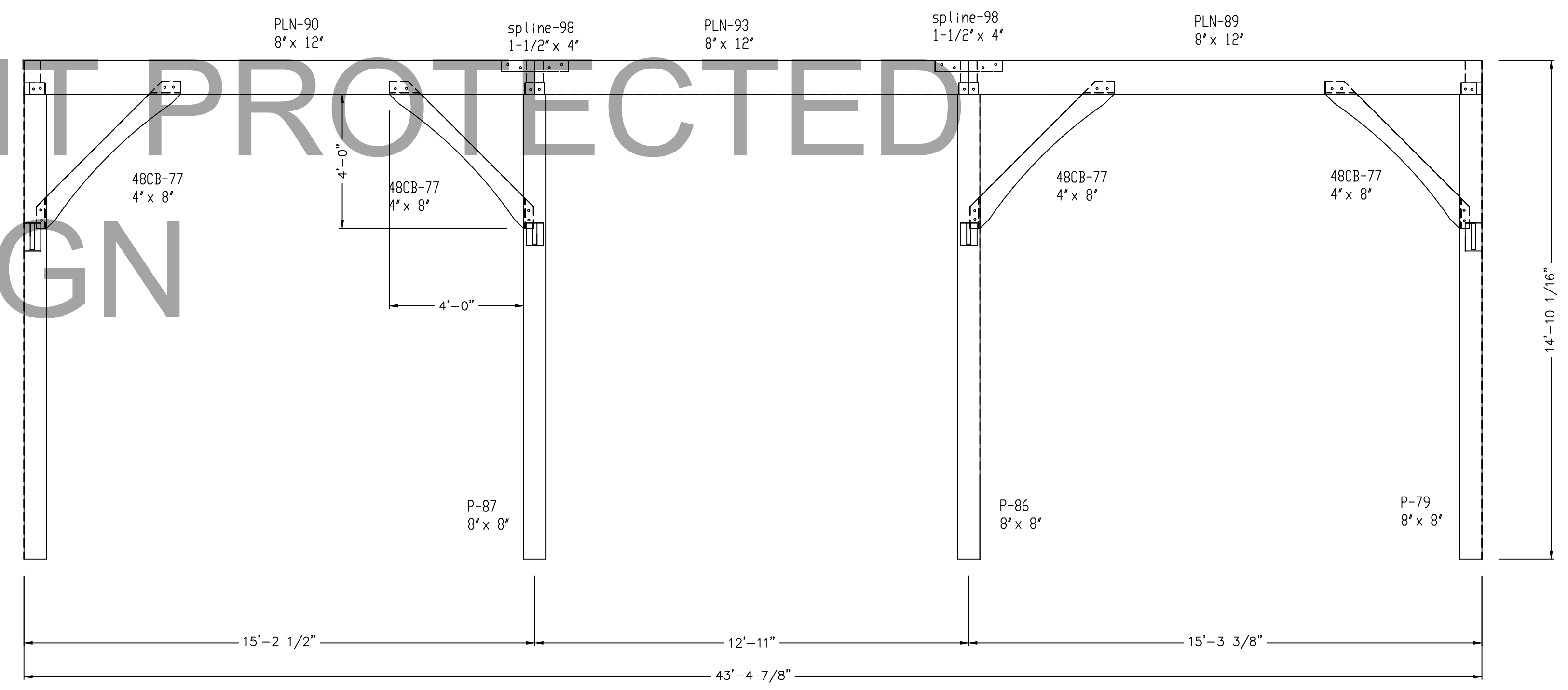
DATE: 12/2/15

PROJECT NUMBER:

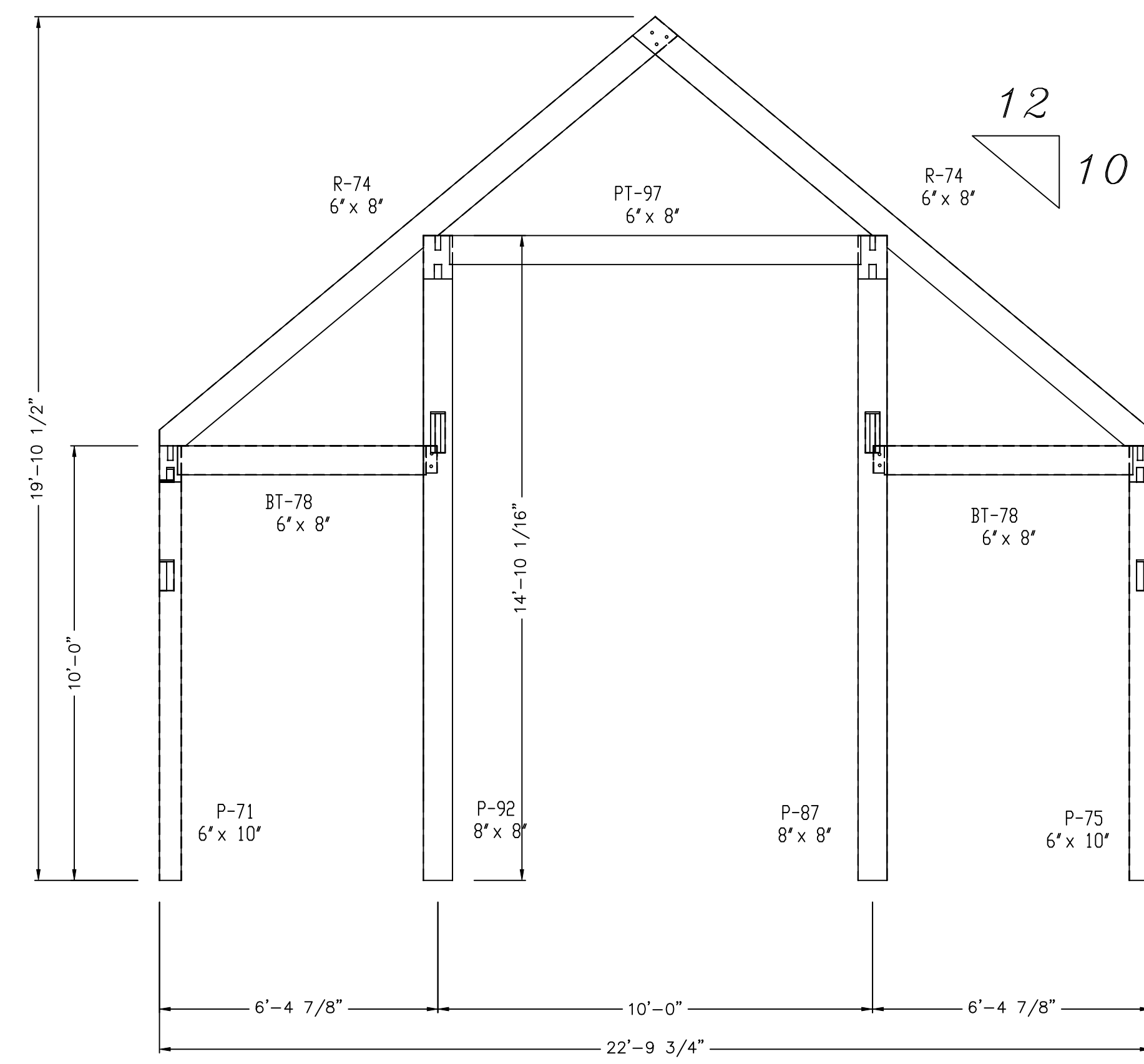
COPYRIGHT PROTECTED  
DW DESIGN



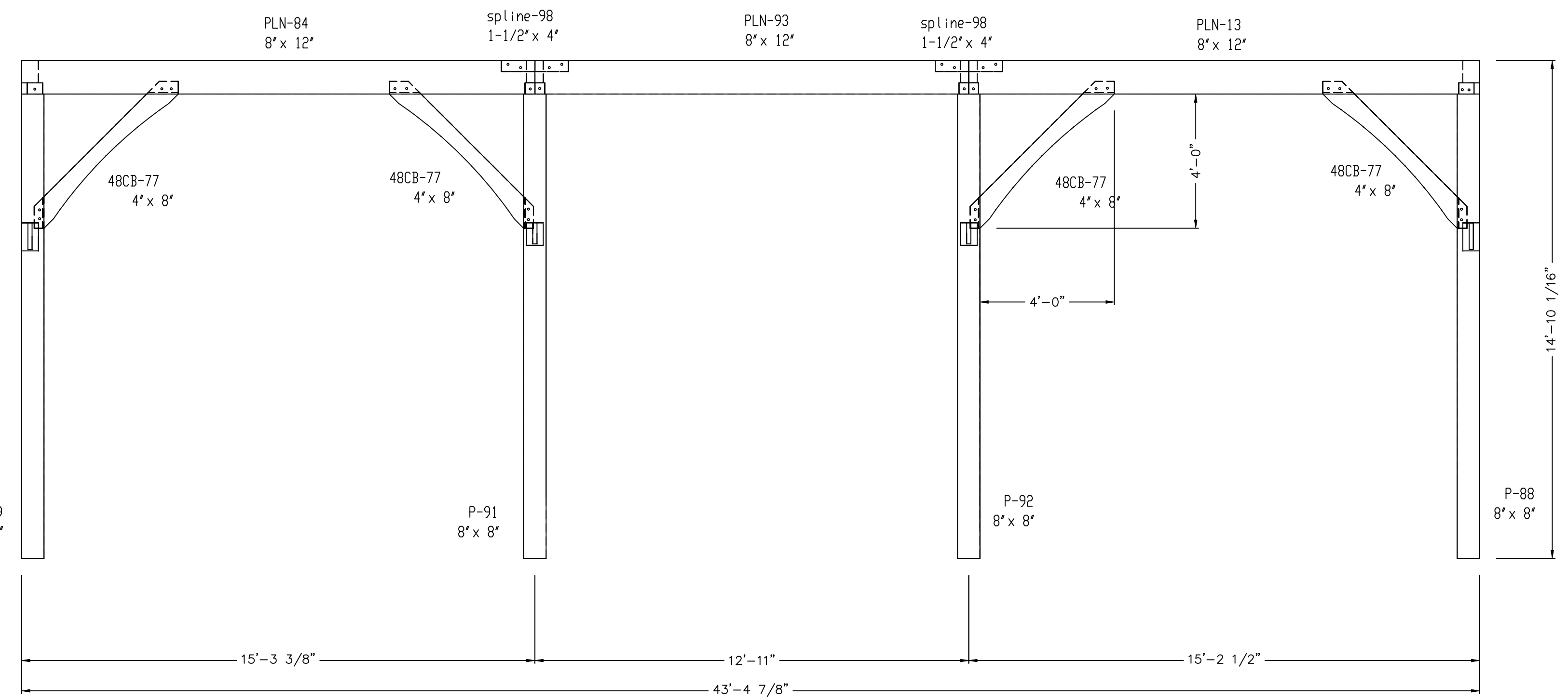
**WALL 16**  
VIEWED FROM EAST



**SOUTH PURLIN WALL 18**  
VIEWED FROM SOUTH



**WALL 17**  
VIEWED FROM WEST



**NORTH PURLIN WALL 19**  
VIEWED FROM NORTH

- BT = BAY TIE
- CT = COLLAR TIE
- CG = CONNECTING GIRT
- EG = EAVE GIRT
- EP = EAVE PLATE
- FG = FLOOR GIRT
- CT = CABLE TIE
- HB = HAMMER BEAM
- HP = HAMMER POST
- HR = HIP RAFTER
- J = JOIST
- LDC = LEDGER
- KPO = KING POST
- P = POST
- PR = PORCH RAFTER
- PT = PURLIN TIE
- PN = BENT PURLIN
- PLN = PRINCIPLE PURLIN
- R = RAFTER
- RB = RIDGE BEAM
- RPN = RIDGE PURLIN
- S = SILL PLATE
- SB = SHORT BRACE
- VR = VALLEY RAFTER

ALL FRAME MEMBERS ARE OF PINE #2 OR BETTER  
(SUBSTITUTE SPECIES WILL BE NOTED)

NOTE: ALL FRAME WALLS ARE VIEWED FROM  
OUTSIDE UNLESS NOTED OTHERWISE

COPYRIGHT LAWS PROHIBIT REPRODUCTION OR USE OF THIS DRAWING,  
IN WHOLE OR IN PART, WITHOUT THE EXPRESSED WRITTEN PERMISSION  
OF DW TIMBER FRAME DESIGN

DO NOT SCALE DIMENSIONS ON THESE  
DRAWINGS. THESE IMAGES ARE  
MACHINE REPRODUCTIONS AND MAY  
CONTAIN A MARGIN OF ERROR.

**DW TIMBER FRAME DESIGN**

CUSTOMER: HAWKINS	DRAWN BY: DEW	DRAWING NUMBER: <b>F8</b>
DRAWING: WALL 16, 17, 18, 19	REVISIONS:	
SCALE: 3/8" = 1' - 0"	DATE: 12/2/15	PROJECT NUMBER: