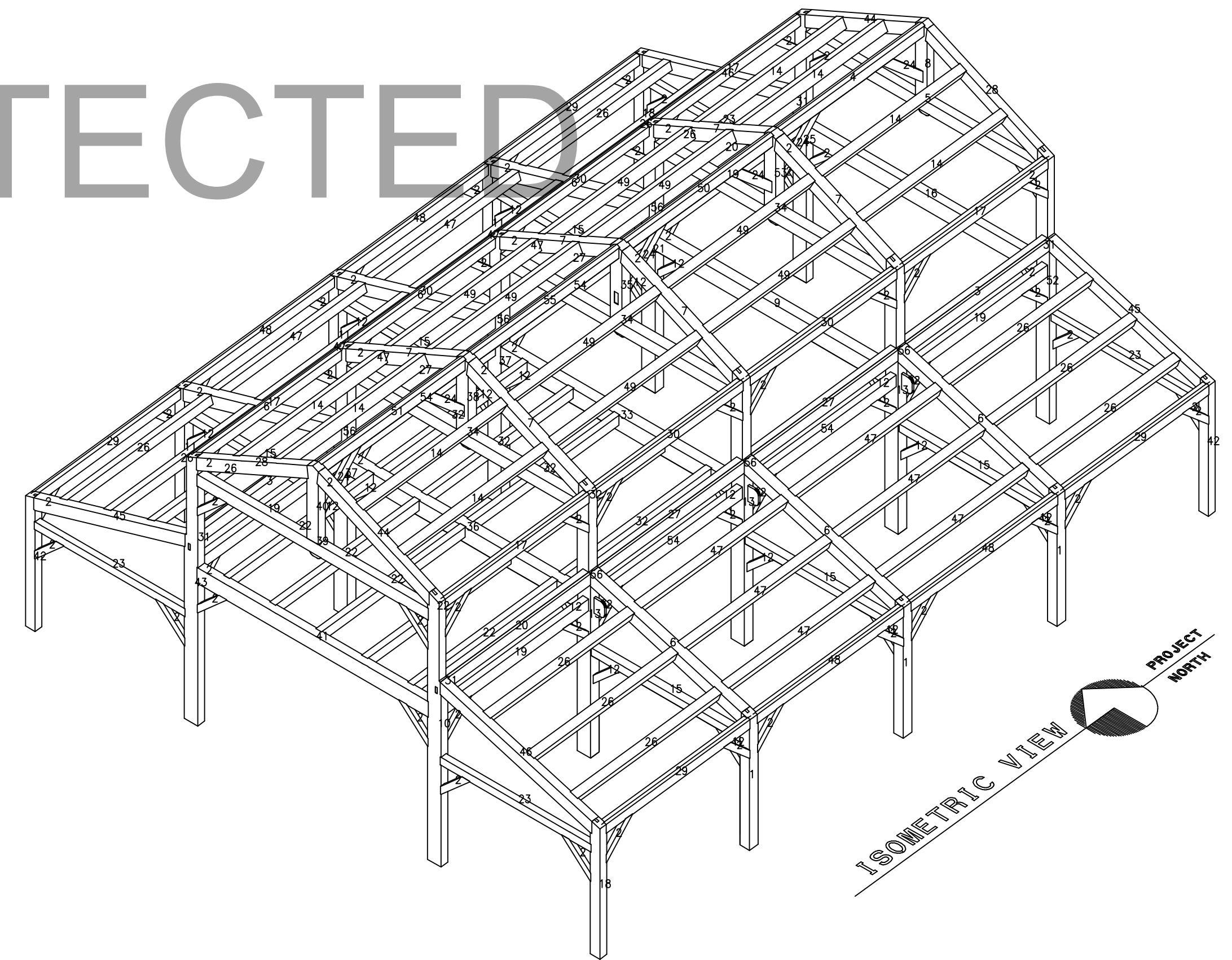
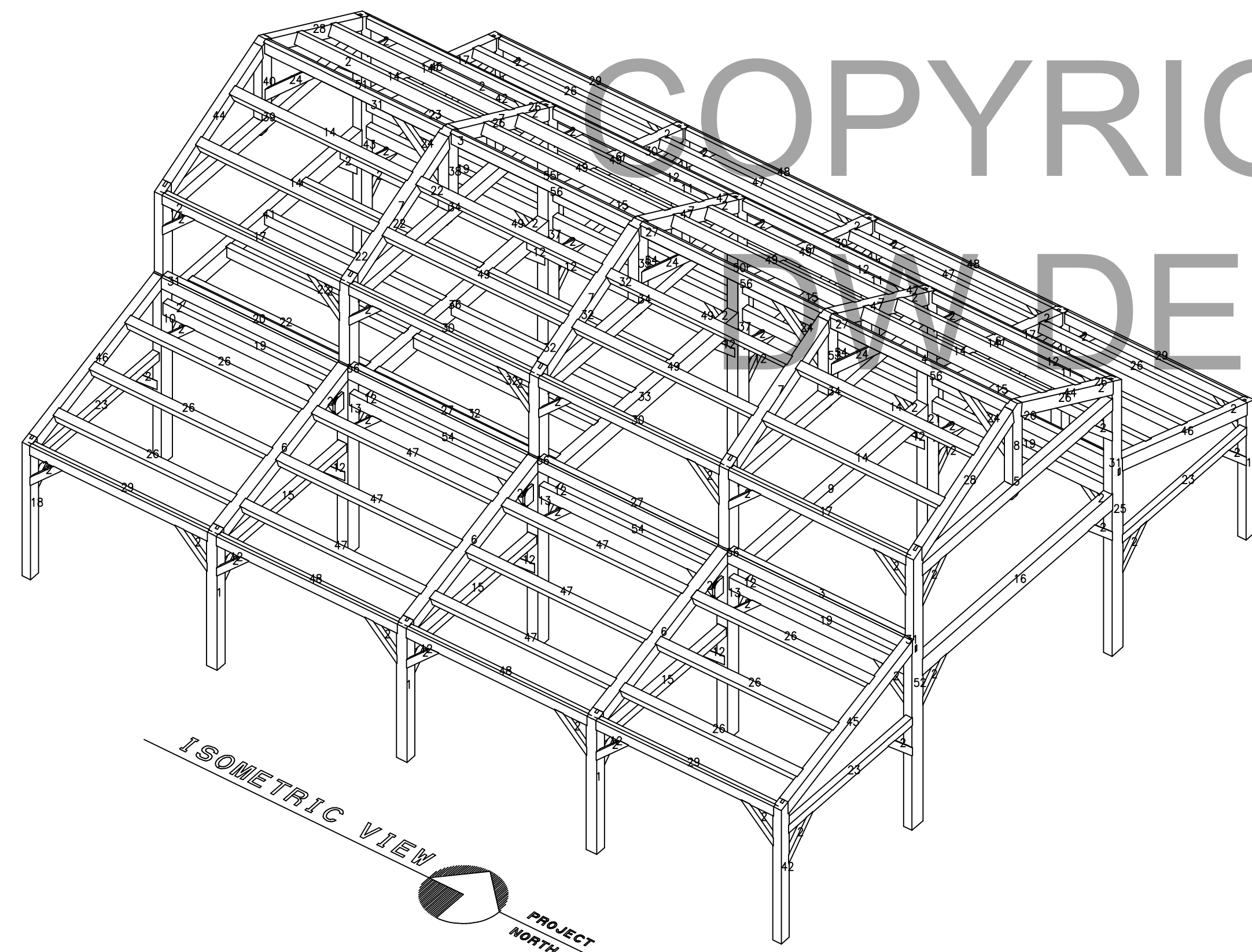
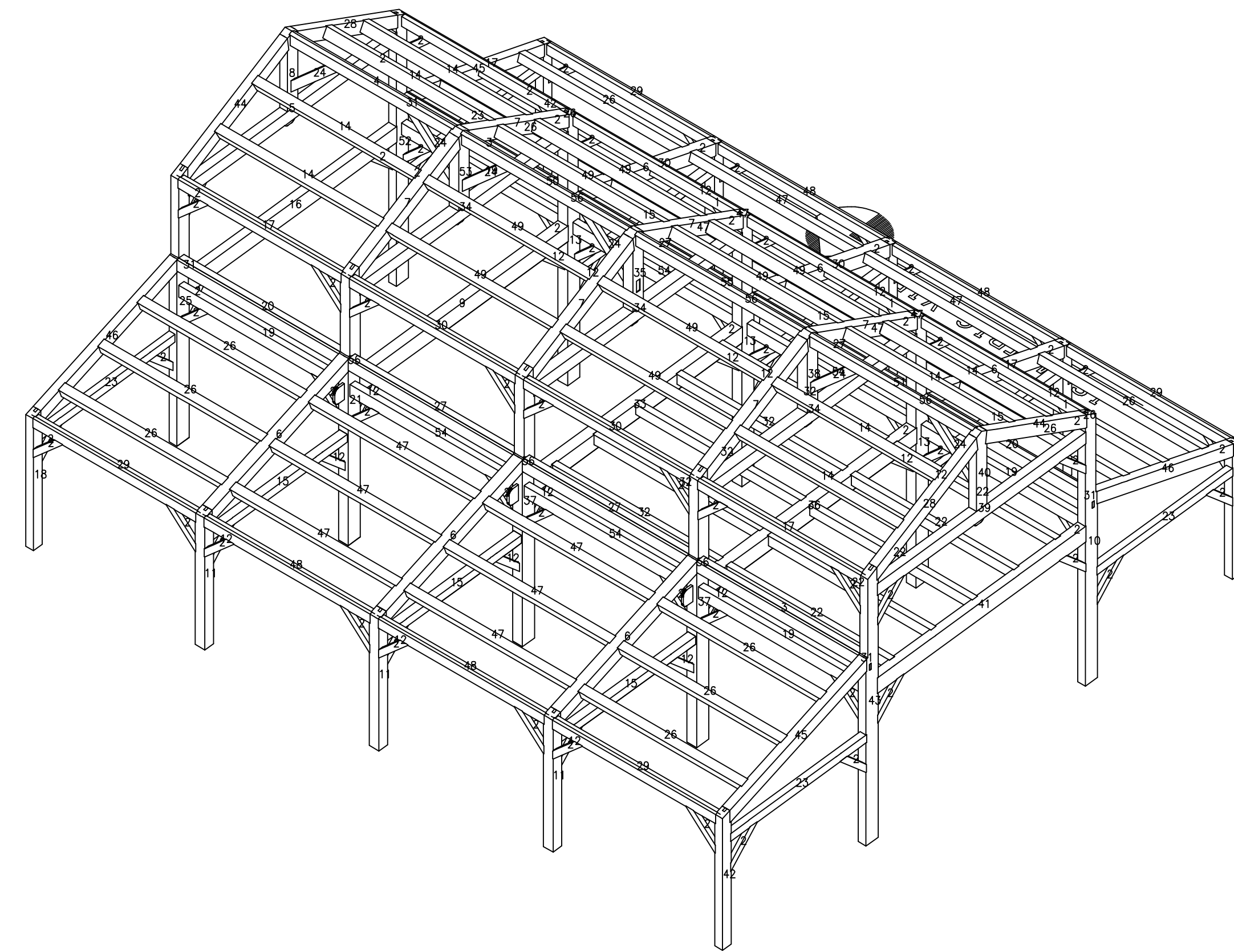
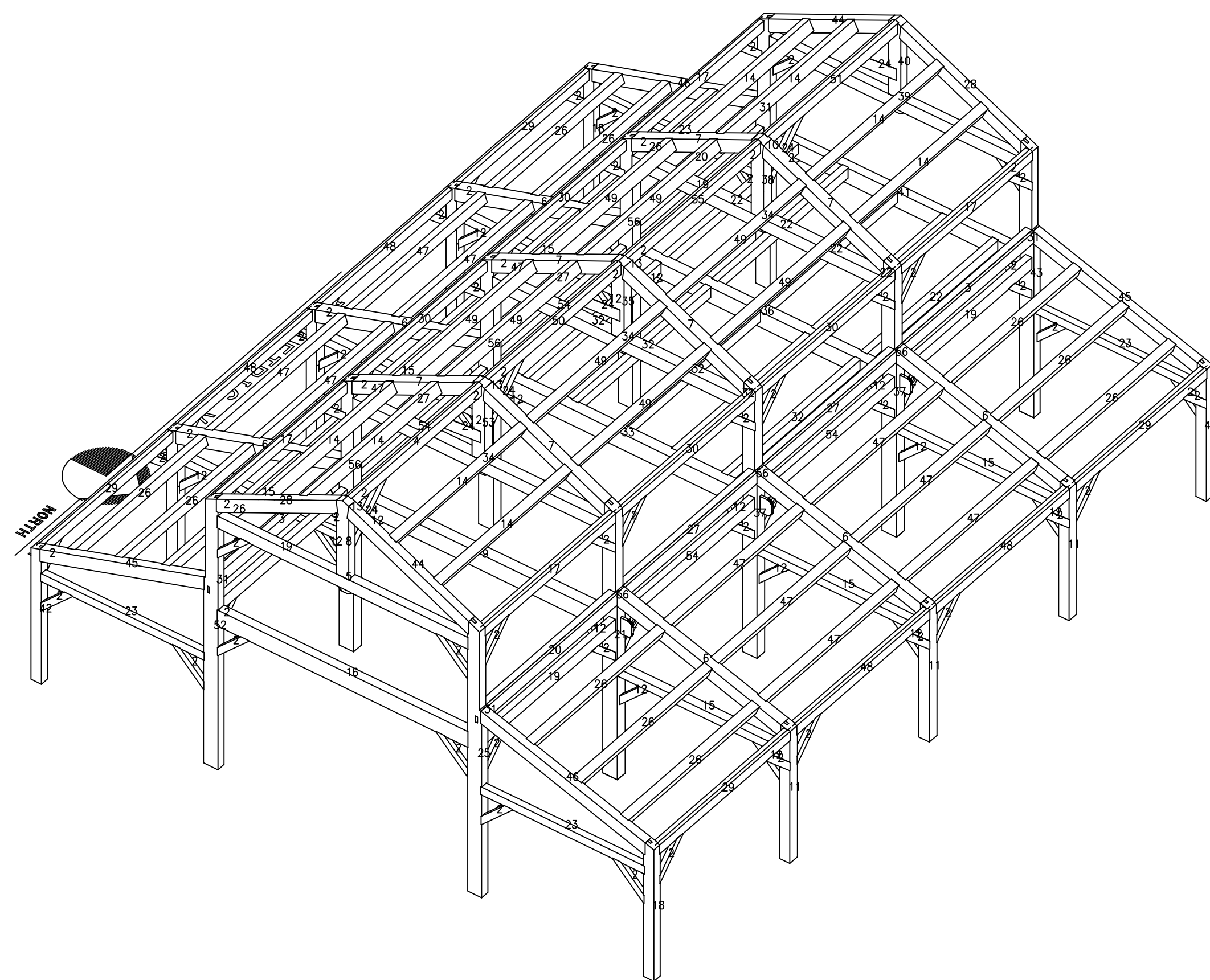


COPYRIGHT PROTECTED  
 DW DESIGN



CAMA BARN  
 LITHIA, FL



COPYRIGHT LAWS PROHIBIT REPRODUCTION OR USE OF THIS DRAWING, IN WHOLE OR IN PART, WITHOUT THE EXPRESSED WRITTEN PERMISSION OF DW TIMBER FRAME DESIGN

DO NOT SCALE DIMENSIONS ON THESE DRAWINGS. THESE IMAGES ARE MACHINE REPRODUCTIONS AND MAY CONTAIN A MARGIN OF ERROR.

DW TIMBER FRAME DESIGN

CUSTOMER: CAMA

DRAWN BY: DEW

DRAWING NUMBER:

DRAWING: ISOMETRIC VIEW

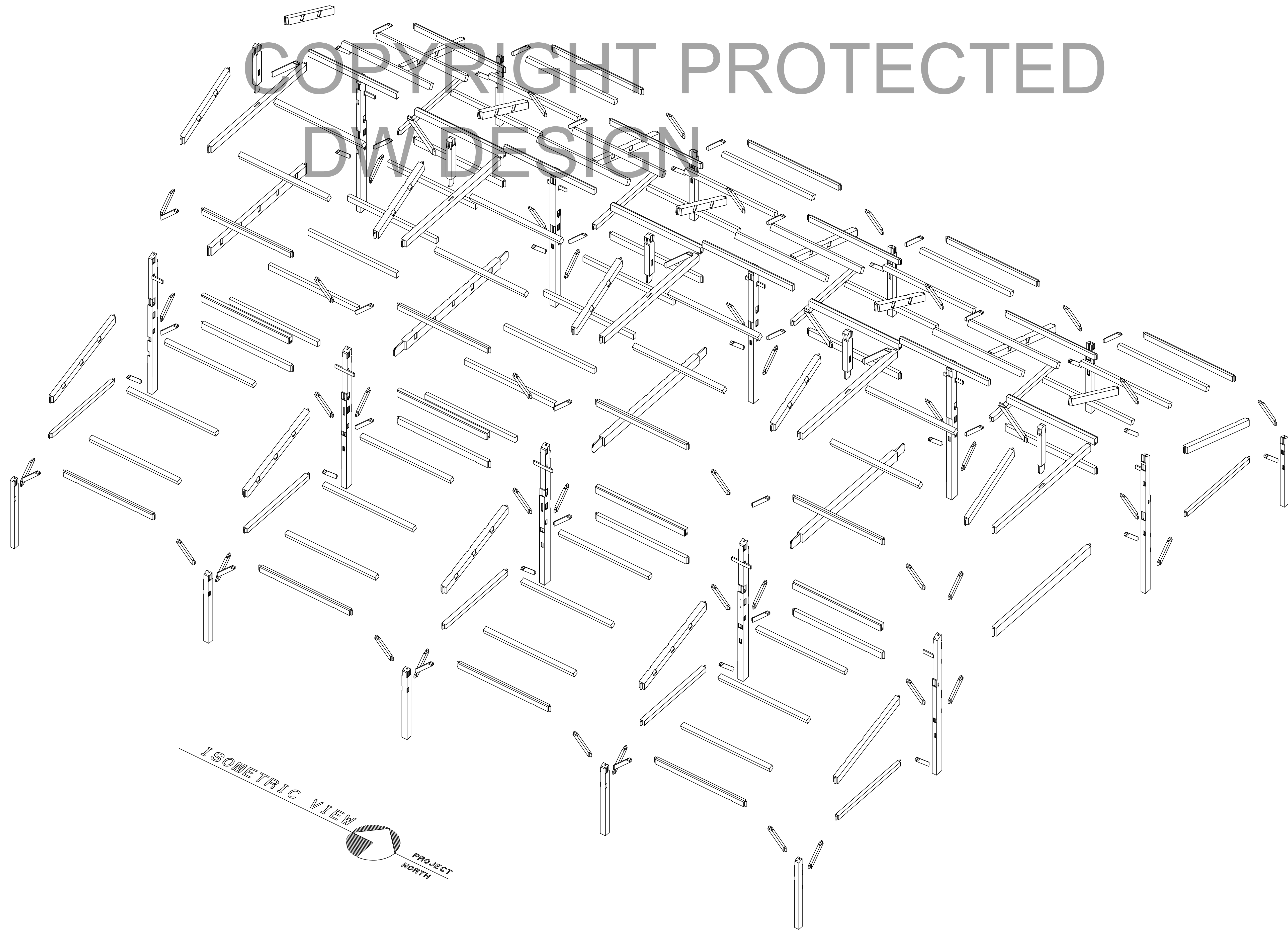
REVISIONS:

ISO

SCALE: NOT TO SCALE DATE: 8/18/19

PROJECT NUMBER:

COPYRIGHT PROTECTED  
DW DESIGN



ISOMETRIC VIEW  
PROJECT NORTH

COPYRIGHT LAWS PROHIBIT REPRODUCTION OR USE OF THIS DRAWING, IN WHOLE OR IN PART, WITHOUT THE EXPRESSED WRITTEN PERMISSION OF DW TIMBER FRAME DESIGN

DO NOT SCALE DIMENSIONS ON THESE DRAWINGS. THESE IMAGES ARE MACHINE REPRODUCTIONS AND MAY CONTAIN A MARGIN OF ERROR.

## DW TIMBER FRAME DESIGN

CUSTOMER: CAMA

DRAWN BY: DEW

DRAWING: ISOMETRIC VIEW

REVISIONS:

SCALE: NOT TO SCALE DATE: 8/18/19

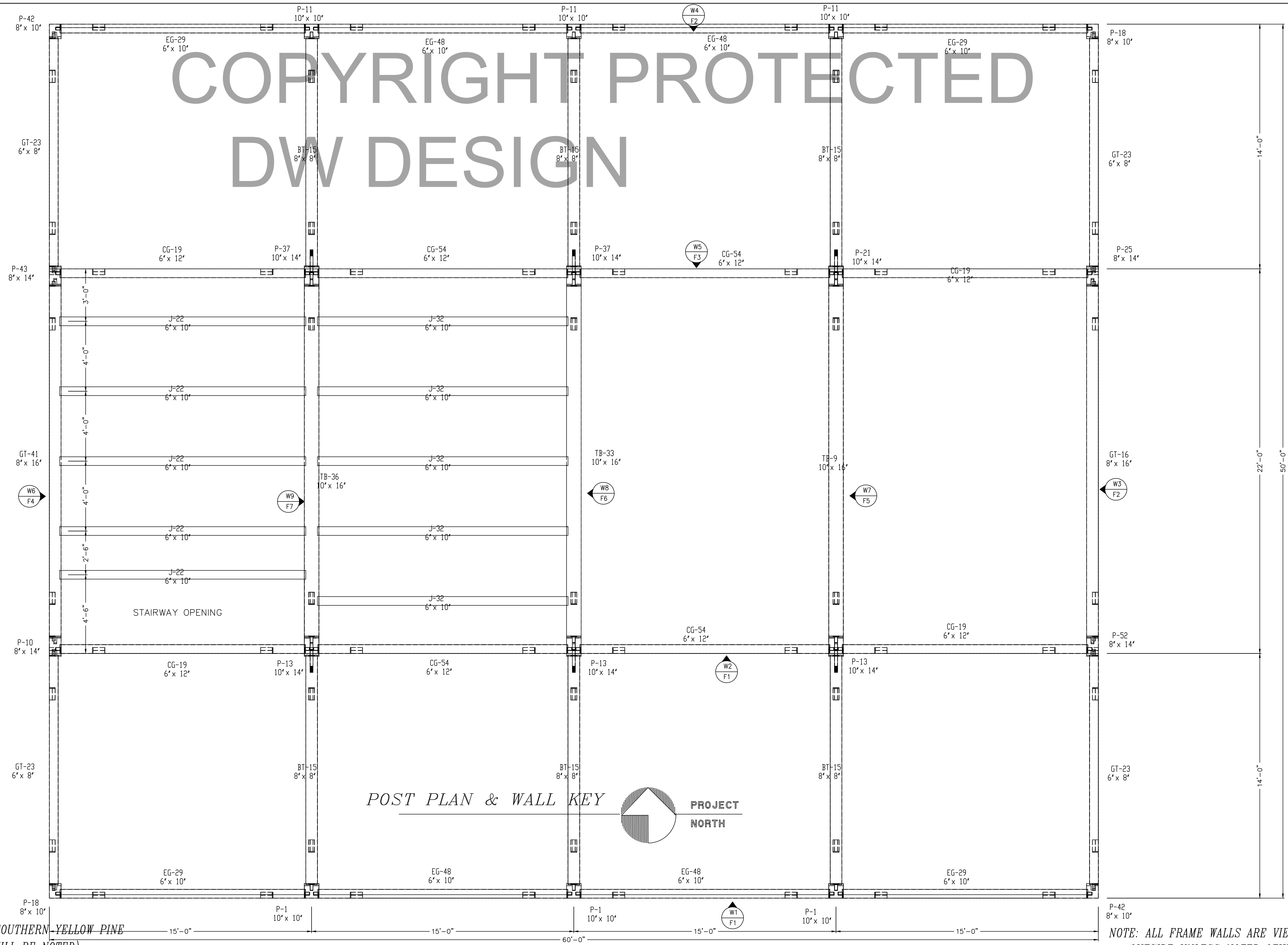
PROJECT NUMBER:

DRAWING NUMBER:

XISO

COPYRIGHT PROTECTED  
DW DESIGN

- BT = BAY TIE
- CT = COLLAR TIE
- CG = CONNECTING GIRT
- EC = EAVE GIRT
- EP = EAVE PLATE
- FC = FLOOR GIRT
- GT = GABLE TIE
- HB = HAMMER BEAM
- HP = HAMMER POST
- HR = HIP RAFTER
- J = JOIST
- LDC = LEDGER
- KPO = KING POST
- P = POST
- PR = PORCH RAFTER
- PT = PURLIN TIE
- PN = BENT PURLIN
- PLN = PRINCIPLE PURLIN
- R = RAFTER
- RB = RIDGE BEAM
- RPN = RIDGE PURLIN
- S = SILL PLATE
- CB = CENTER BRACE
- B = KNEE BRACE
- VR = VALLEY RAFTER



POST PLAN & WALL KEY PROJECT NORTH

ALL FRAME MEMBERS ARE OF SOUTHERN YELLOW PINE  
(SUBSTITUTE SPECIES WILL BE NOTED)

NOTE: ALL FRAME WALLS ARE VIEWED FROM  
OUTSIDE UNLESS NOTED OTHERWISE

COPYRIGHT LAWS PROHIBIT REPRODUCTION OR USE OF THIS DRAWING,  
IN WHOLE OR IN PART, WITHOUT THE EXPRESSED WRITTEN PERMISSION  
OF DW TIMBER FRAME DESIGN

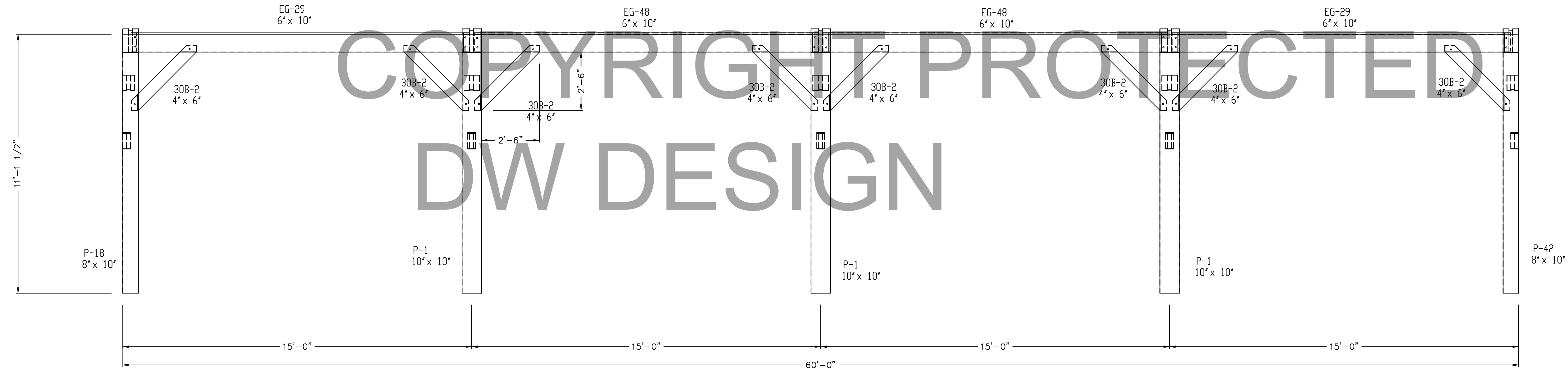
DO NOT SCALE DIMENSIONS ON THESE  
DRAWINGS. THESE IMAGES ARE  
MACHINE REPRODUCTIONS AND MAY  
CONTAIN A MARGIN OF ERROR.

**DW TIMBER FRAME DESIGN**

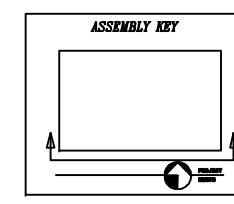
CUSTOMER: CAMA	DRAWN BY: DEW	DRAWING NUMBER:
DRAWING: POST PLAN, WALL KEY	REVISIONS:	PP
SCALE: 3/8" = 1' - 0"	DATE: 8/18/19	



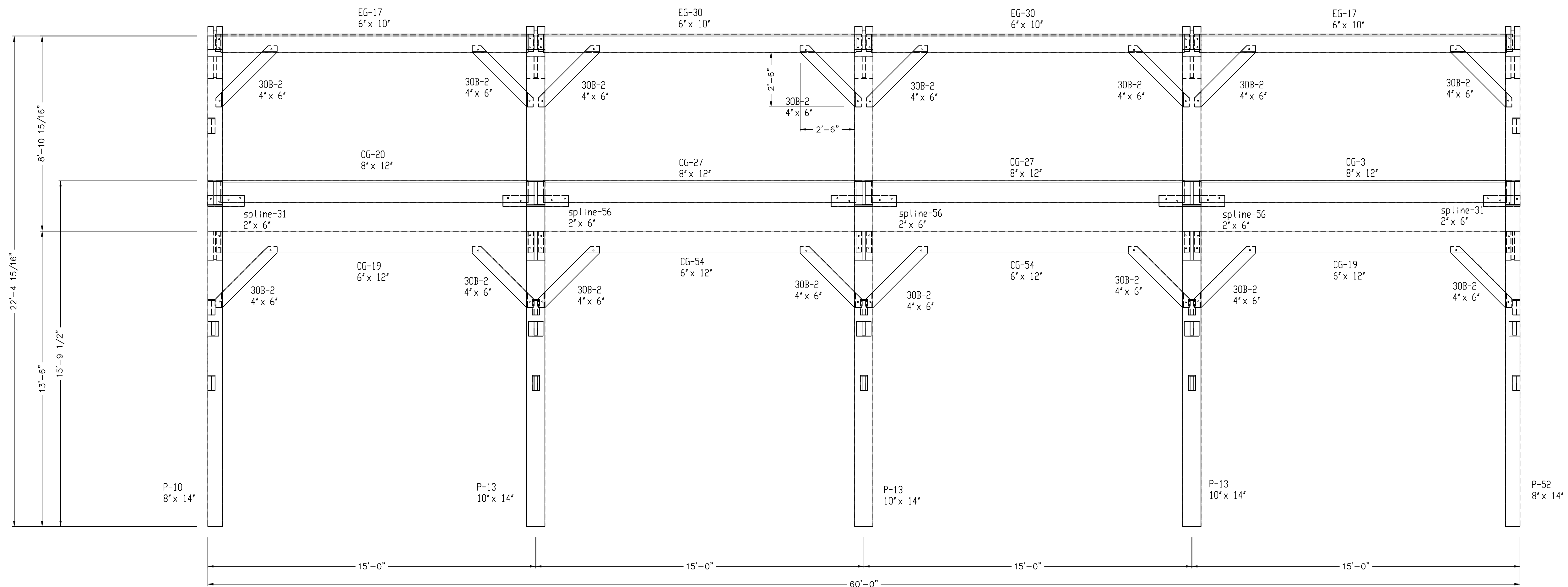
COPYRIGHT PROTECTED  
DW DESIGN



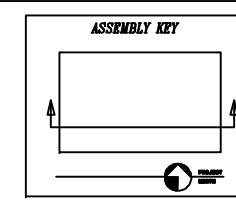
WALL 1  
SOUTH ELEVATION



- BT = BAY TIE
- CT = COLLAR TIE
- CG = CONNECTING GIRT
- EG = EAVE GIRT
- EP = EAVE PLATE
- FG = FLOOR GIRT
- GT = GABLE TIE
- HB = HAMMER BEAM
- HP = HAMMER POST
- HR = HIP RAFTER
- J = JOIST
- LDG = LEDGER
- KPO = KING POST
- P = POST
- PR = PORCH RAFTER
- PT = PURLIN TIE
- PN = BENT PURLIN
- PLN = PRINCIPLE PURLIN
- R = RAFTER
- RB = RIDGE BEAM
- RPN = RIDGE PURLIN
- S = SILL PLATE
- CB = CENTER BRACE
- B = KNEE BRACE
- VR = VALLEY RAFTER



WALL 2  
VIEWED FROM SOUTH



ALL FRAME MEMBERS ARE OF SOUTHERN YELLOW PINE  
(SUBSTITUTE SPECIES WILL BE NOTED)

NOTE: ALL FRAME WALLS ARE VIEWED FROM  
OUTSIDE UNLESS NOTED OTHERWISE

COPYRIGHT LAWS PROHIBIT REPRODUCTION OR USE OF THIS DRAWING,  
IN WHOLE OR IN PART, WITHOUT THE EXPRESSED WRITTEN PERMISSION  
OF DW TIMBER FRAME DESIGN

DO NOT SCALE DIMENSIONS ON THESE  
DRAWINGS. THESE IMAGES ARE  
MACHINE REPRODUCTIONS AND MAY  
CONTAIN A MARGIN OF ERROR.

DW TIMBER FRAME DESIGN

CUSTOMER: CAMA

DRAWN BY: DEW

DRAWING  
NUMBER:

DRAWING: WALL 1, 2

REVISIONS:

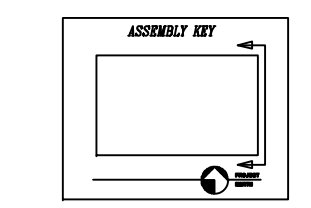
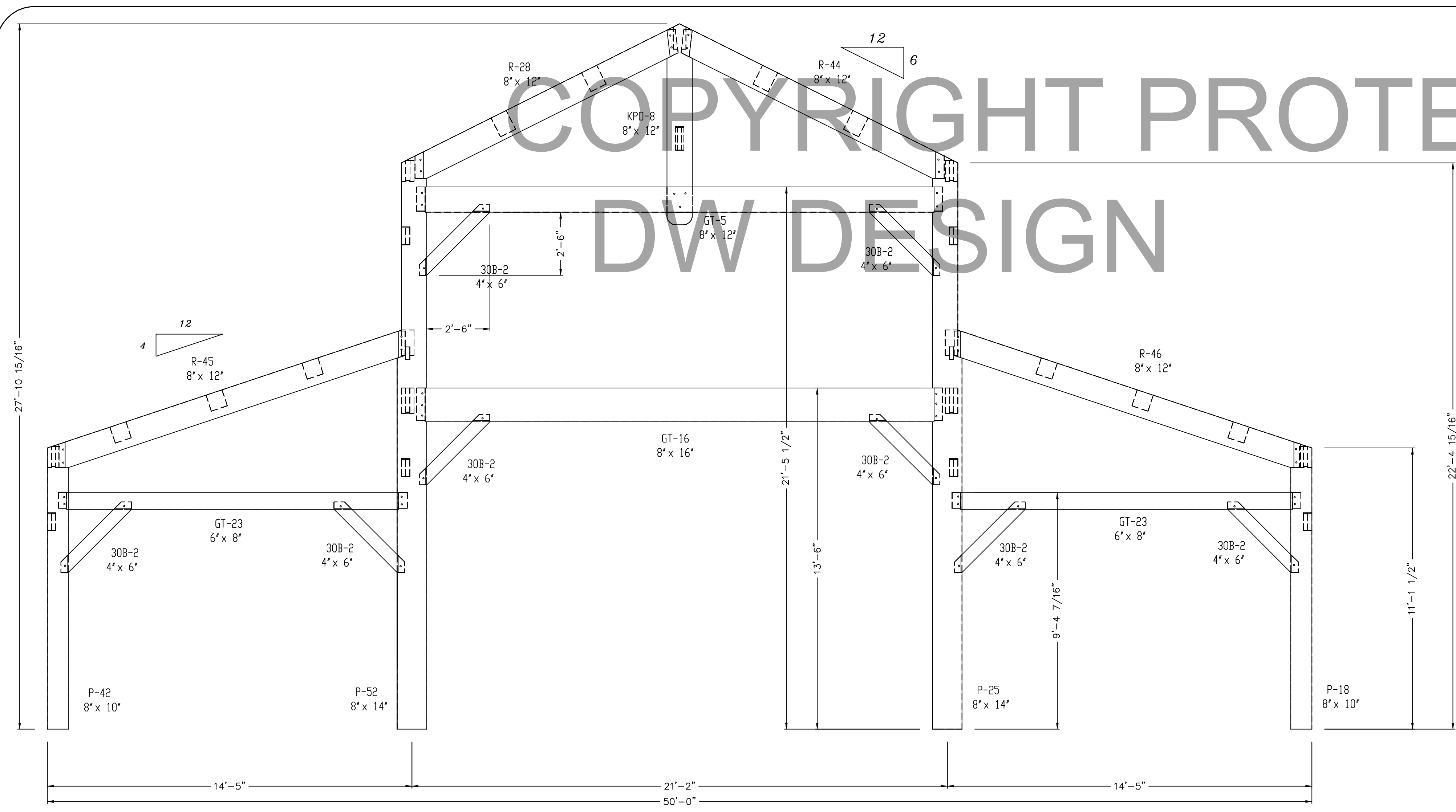
F1

SCALE: 3/8" = 1' - 0"

DATE: 8/18/19

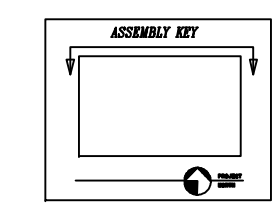
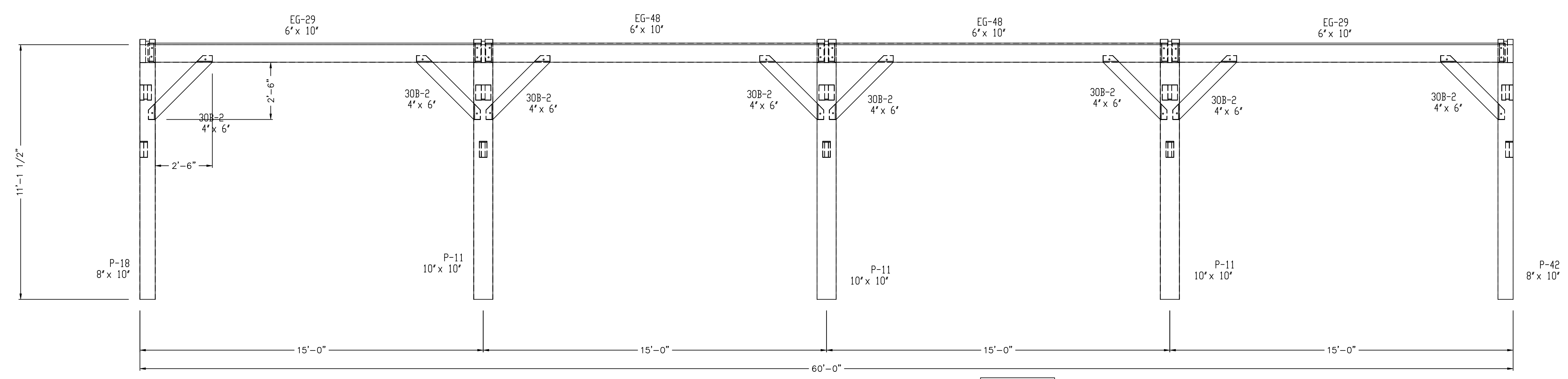
PROJECT NUMBER:

COPYRIGHT PROTECTED  
DW DESIGN



WALL 3  
EAST ELEVATION

- BT = BAY TIE
- CT = COLLAR TIE
- CC = CONNECTING GIRT
- EG = EAVE GIRT
- EP = EAVE PLATE
- FC = FLOOR GIRT
- GT = GABLE TIE
- HB = HAMMER BEAM
- HP = HAMMER POST
- HR = HIP RAFTER
- J = JOIST
- LDC = LEDGER
- KPO = KING POST
- P = POST
- PR = PORCH RAFTER
- PT = PURLIN TIE
- PN = BENT PURLIN
- PLN = PRINCIPLE PURLIN
- R = RAFTER
- RB = RIDGE BEAM
- RPN = RIDGE PURLIN
- S = SILL PLATE
- CB = CENTER BRACE
- B = KNEE BRACE
- VR = VALLEY RAFTER



WALL 4  
NORTH ELEVATION

ALL FRAME MEMBERS ARE OF SOUTHERN YELLOW PINE  
(SUBSTITUTE SPECIES WILL BE NOTED)

NOTE: ALL FRAME WALLS ARE VIEWED FROM  
OUTSIDE UNLESS NOTED OTHERWISE

COPYRIGHT LAWS PROHIBIT REPRODUCTION OR USE OF THIS DRAWING,  
IN WHOLE OR IN PART, WITHOUT THE EXPRESSED WRITTEN PERMISSION  
OF DW TIMBER FRAME DESIGN

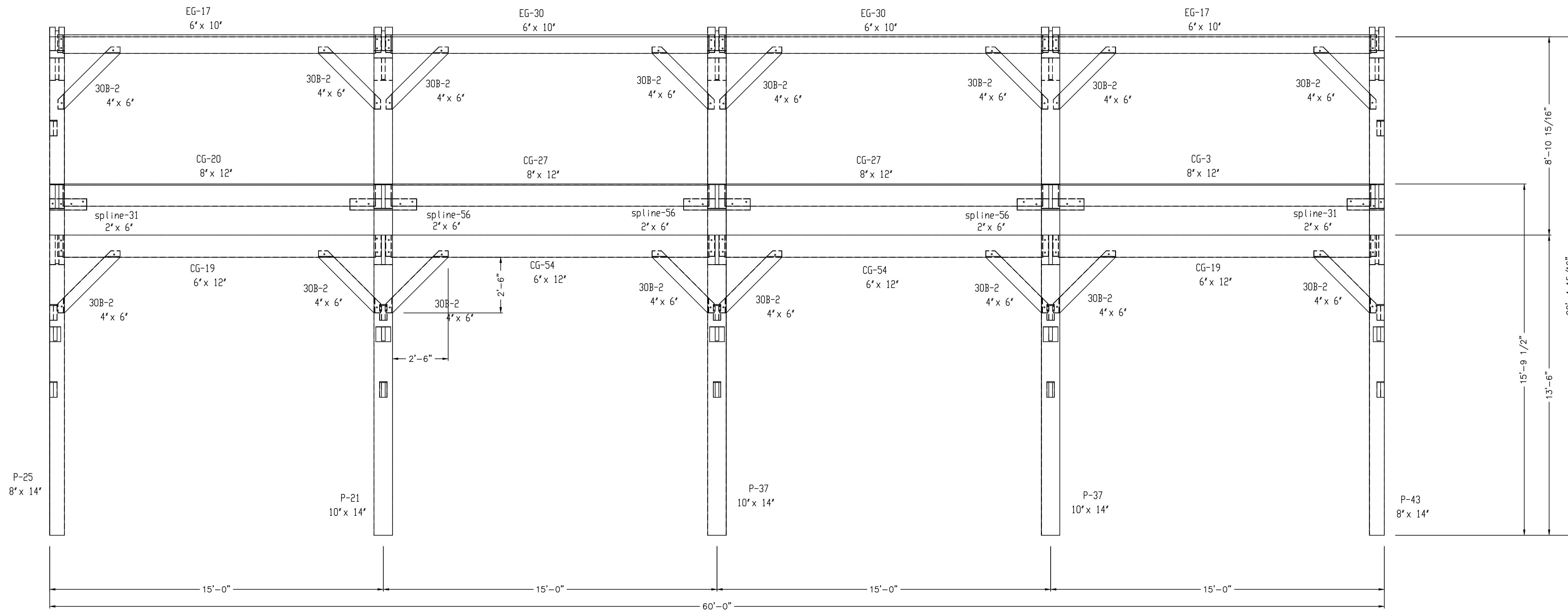
DO NOT SCALE DIMENSIONS ON THESE  
DRAWINGS. THESE IMAGES ARE  
MACHINE REPRODUCTIONS AND MAY  
CONTAIN A MARGIN OF ERROR.

**DW TIMBER FRAME DESIGN**

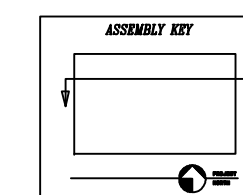
CUSTOMER: CAMA	DRAWN BY: DEW	DRAWING NUMBER:
DRAWING: WALL 3, 4	REVISIONS:	F2
SCALE: 3/8" = 1' - 0"	DATE: 8/18/19	

# COPYRIGHT PROTECTED DW DESIGN

- BT = BAY TIE
- CT = COLLAR TIE
- CG = CONNECTING GIRT
- EC = EAVE GIRT
- EP = EAVE PLATE
- FC = FLOOR GIRT
- CT = CABLE TIE
- HB = HAMMER BEAM
- HP = HAMMER POST
- HR = HIP RAFTER
- J = JOIST
- LDC = LEDGER
- KPO = KING POST
- P = POST
- PR = PORCH RAFTER
- PT = PURLIN TIE
- PN = BENT PURLIN
- PLN = PRINCIPLE PURLIN
- R = RAFTER
- RB = RIDGE BEAM
- RPN = RIDGE PURLIN
- S = SILL PLATE
- CB = CENTER BRACE
- B = KNEE BRACE
- VR = VALLEY RAFTER



WALL 5  
VIEWED FROM NORTH



ALL FRAME MEMBERS ARE OF SOUTHERN YELLOW PINE  
(SUBSTITUTE SPECIES WILL BE NOTED)

NOTE: ALL FRAME WALLS ARE VIEWED FROM  
OUTSIDE UNLESS NOTED OTHERWISE

COPYRIGHT LAWS PROHIBIT REPRODUCTION OR USE OF THIS DRAWING,  
IN WHOLE OR IN PART, WITHOUT THE EXPRESSED WRITTEN PERMISSION  
OF DW TIMBER FRAME DESIGN

DO NOT SCALE DIMENSIONS ON THESE  
DRAWINGS. THESE IMAGES ARE  
MACHINE REPRODUCTIONS AND MAY  
CONTAIN A MARGIN OF ERROR.

**DW TIMBER FRAME DESIGN**

CUSTOMER: CAMA

DRAWN BY: DEW

DRAWING  
NUMBER:

DRAWING: WALL 5

REVISIONS:

F3

SCALE: 3/8" = 1' - 0"

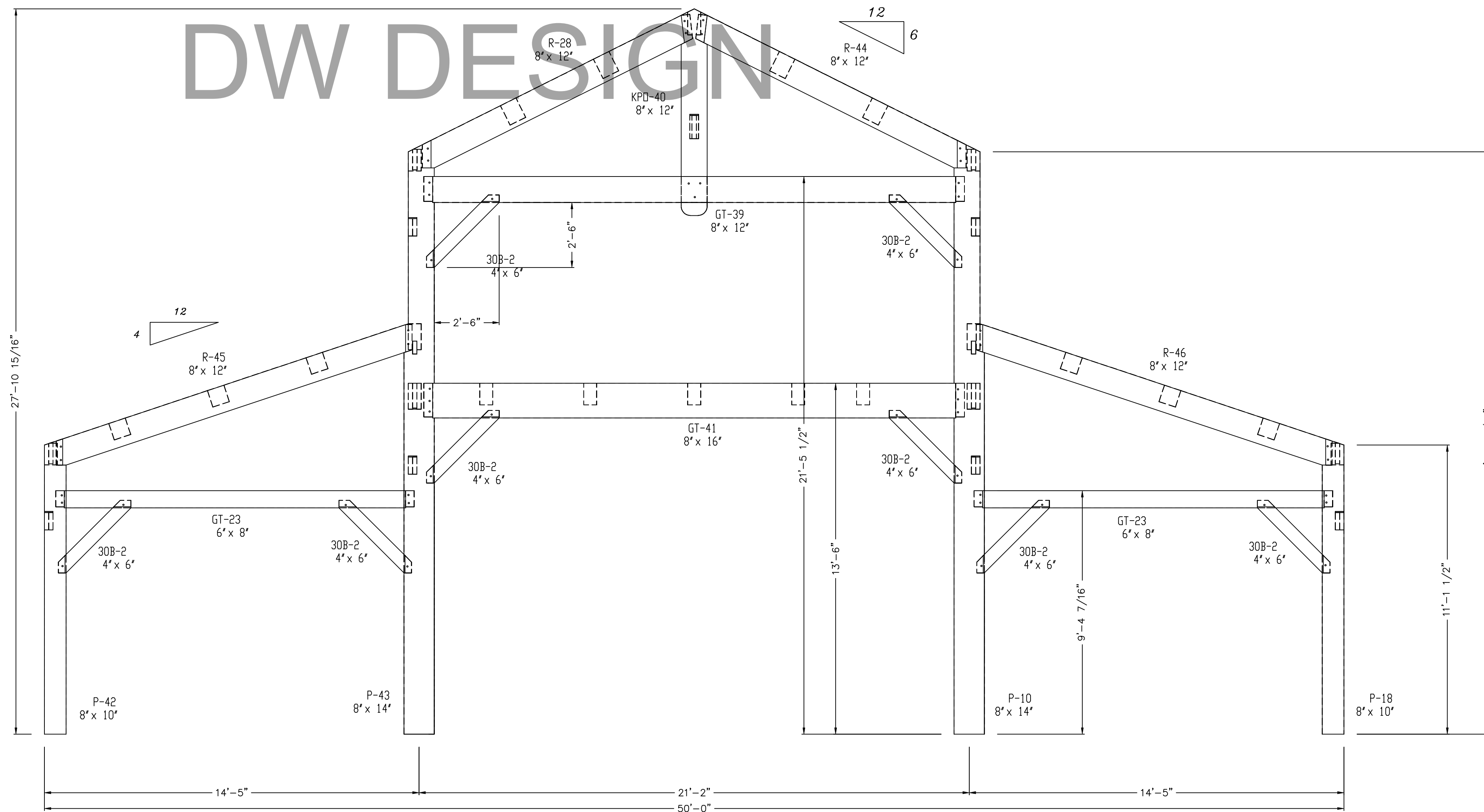
DATE: 8/18/19

PROJECT NUMBER:

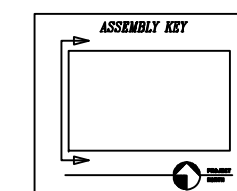
# COPYRIGHT PROTECTED

# DW DESIGN

- BT = BAY TIE
- CT = COLLAR TIE
- CC = CONNECTING GIRT
- EC = EAVE GIRT
- EP = EAVE PLATE
- FG = FLOOR GIRT
- GT = GABLE TIE
- HB = HAMMER BEAM
- HP = HAMMER POST
- HR = HIP RAFTER
- J = JOIST
- LDC = LEDGER
- KPO = KING POST
- P = POST
- PR = PORCH RAFTER
- PT = PURLIN TIE
- PN = BENT PURLIN
- PLN = PRINCIPLE PURLIN
- R = RAFTER
- RB = RIDGE BEAM
- RPN = RIDGE PURLIN
- S = SILL PLATE
- CB = CENTER BRACE
- B = KNEE BRACE
- VR = VALLEY RAFTER



WALL 6  
WEST ELEVATION



ALL FRAME MEMBERS ARE OF SOUTHERN YELLOW PINE  
(SUBSTITUTE SPECIES WILL BE NOTED)

NOTE: ALL FRAME WALLS ARE VIEWED FROM  
OUTSIDE UNLESS NOTED OTHERWISE

COPYRIGHT LAWS PROHIBIT REPRODUCTION OR USE OF THIS DRAWING,  
IN WHOLE OR IN PART, WITHOUT THE EXPRESSED WRITTEN PERMISSION  
OF DW TIMBER FRAME DESIGN

DO NOT SCALE DIMENSIONS ON THESE  
DRAWINGS. THESE IMAGES ARE  
MACHINE REPRODUCTIONS AND MAY  
CONTAIN A MARGIN OF ERROR.

**DW TIMBER FRAME DESIGN**

CUSTOMER: CAMA

DRAWN BY: DEW

DRAWING  
NUMBER:

DRAWING: WALL 6

REVISIONS:

F4

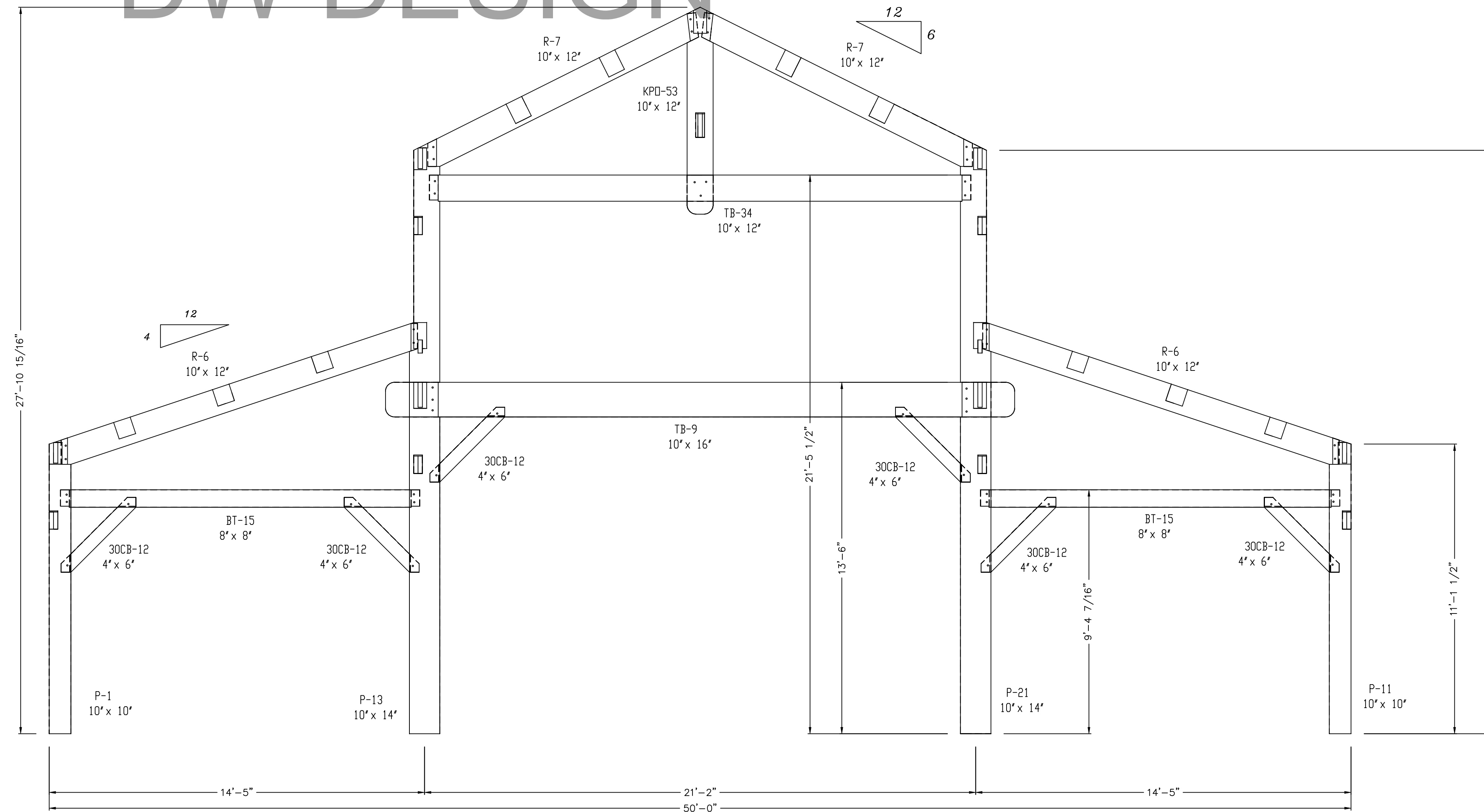
SCALE: 3/8" = 1' - 0"

DATE: 8/18/19

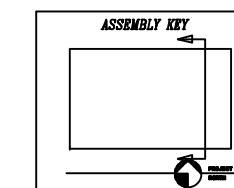
PROJECT NUMBER:

# COPYRIGHT PROTECTED DW DESIGN

- BT = BAY TIE
- CT = COLLAR TIE
- CC = CONNECTING GIRT
- EC = EAVE GIRT
- EP = EAVE PLATE
- FC = FLOOR GIRT
- GT = GABLE TIE
- HB = HAMMER BEAM
- HP = HAMMER POST
- HR = HIP RAFTER
- J = JOIST
- LDC = LEDGER
- KPO = KING POST
- P = POST
- PR = PORCH RAFTER
- PT = PURLIN TIE
- PN = BENT PURLIN
- PLN = PRINCIPLE PURLIN
- R = RAFTER
- RB = RIDGE BEAM
- RPN = RIDGE PURLIN
- S = SILL PLATE
- CB = CENTER BRACE
- B = KNEE BRACE
- VR = VALLEY RAFTER



WALL 7  
VIEWED FROM EAST



ALL FRAME MEMBERS ARE OF SOUTHERN YELLOW PINE  
(SUBSTITUTE SPECIES WILL BE NOTED)

NOTE: ALL FRAME WALLS ARE VIEWED FROM  
OUTSIDE UNLESS NOTED OTHERWISE

COPYRIGHT LAWS PROHIBIT REPRODUCTION OR USE OF THIS DRAWING,  
IN WHOLE OR IN PART, WITHOUT THE EXPRESSED WRITTEN PERMISSION  
OF DW TIMBER FRAME DESIGN

DO NOT SCALE DIMENSIONS ON THESE  
DRAWINGS. THESE IMAGES ARE  
MACHINE REPRODUCTIONS AND MAY  
CONTAIN A MARGIN OF ERROR.

**DW TIMBER FRAME DESIGN**

CUSTOMER: CAMA

DRAWN BY: DEW

DRAWING  
NUMBER:

DRAWING: WALL 7

REVISIONS:

F5

SCALE: 3/8" = 1' - 0"

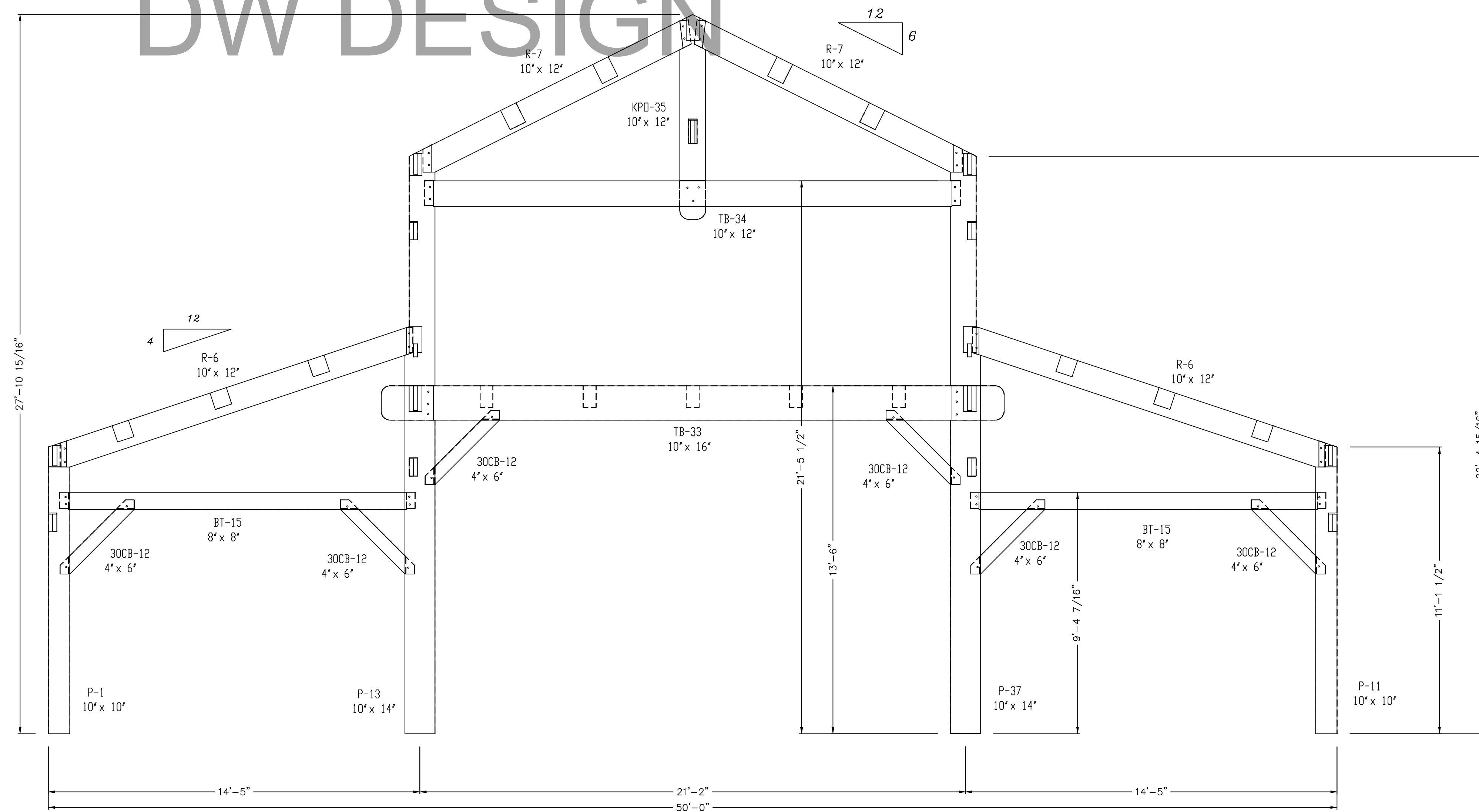
DATE: 8/18/19

PROJECT NUMBER:

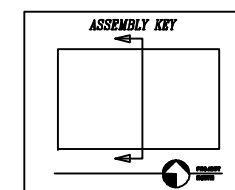


# COPYRIGHT PROTECTED DW DESIGN

- BT = BAY TIE
- CT = COLLAR TIE
- CG = CONNECTING GIRT
- EC = EAVE GIRT
- EP = EAVE PLATE
- FC = FLOOR GIRT
- CT = CABLE TIE
- HB = HAMMER BEAM
- HP = HAMMER POST
- HR = HIP RAFTER
- J = JOIST
- LDC = LEDGER
- KPO = KING POST
- P = POST
- PR = PORCH RAFTER
- PT = PURLIN TIE
- PN = BENT PURLIN
- PLN = PRINCIPLE PURLIN
- R = RAFTER
- RB = RIDGE BEAM
- RPN = RIDGE PURLIN
- S = SILL PLATE
- CB = CENTER BRACE
- B = KNEE BRACE
- VR = VALLEY RAFTER



WALL 8  
VIEWED FROM EAST



ALL FRAME MEMBERS ARE OF SOUTHERN YELLOW PINE  
(SUBSTITUTE SPECIES WILL BE NOTED)

NOTE: ALL FRAME WALLS ARE VIEWED FROM  
OUTSIDE UNLESS NOTED OTHERWISE

COPYRIGHT LAWS PROHIBIT REPRODUCTION OR USE OF THIS DRAWING,  
IN WHOLE OR IN PART, WITHOUT THE EXPRESSED WRITTEN PERMISSION  
OF DW TIMBER FRAME DESIGN

DO NOT SCALE DIMENSIONS ON THESE  
DRAWINGS. THESE IMAGES ARE  
MACHINE REPRODUCTIONS AND MAY  
CONTAIN A MARGIN OF ERROR.

**DW TIMBER FRAME DESIGN**

CUSTOMER: CAMA

DRAWN BY: DEW

DRAWING  
NUMBER:

DRAWING: WALL 8

REVISIONS:

F6

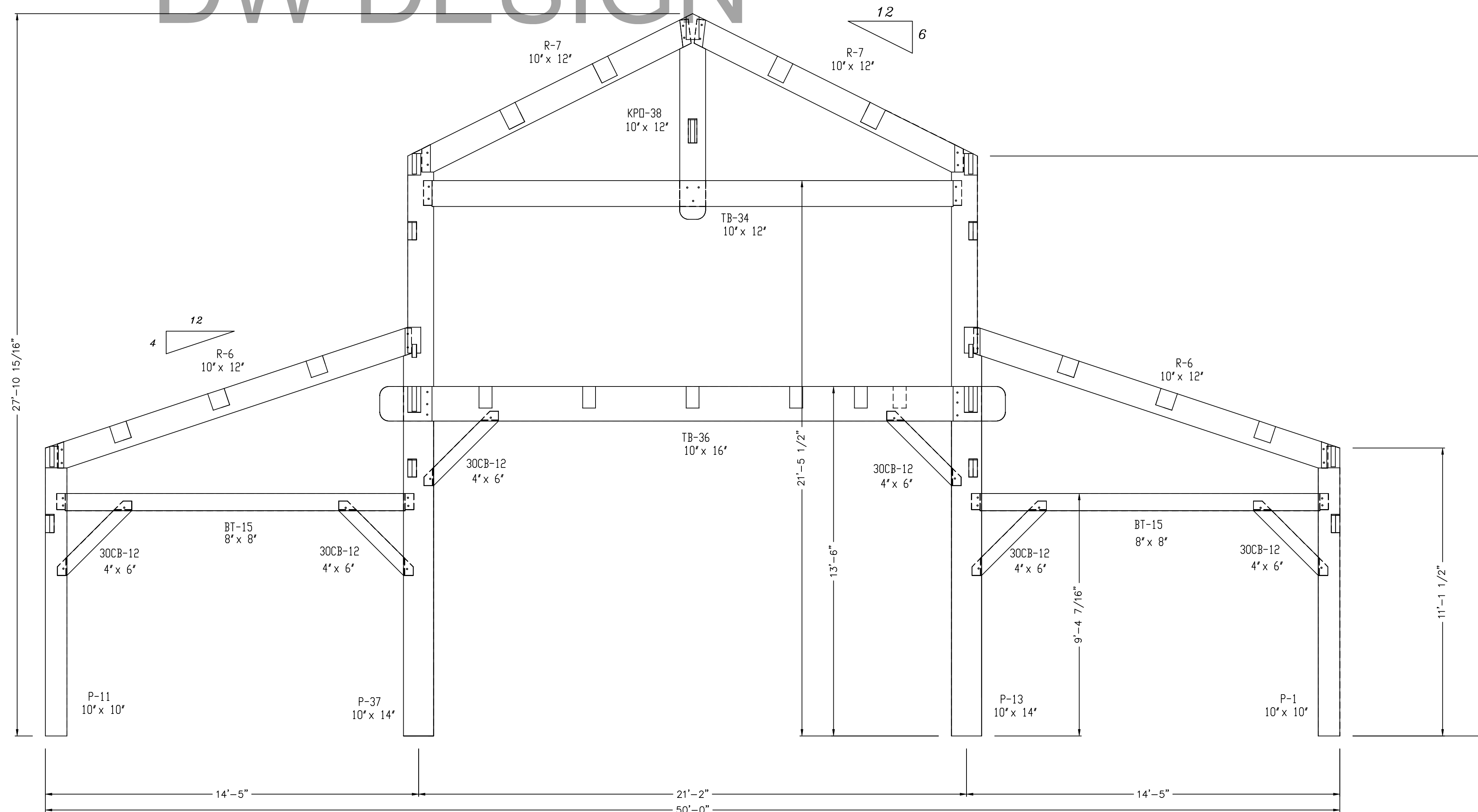
SCALE: 3/8" = 1' - 0"

DATE: 8/18/19

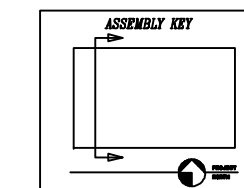
PROJECT NUMBER:

# COPYRIGHT PROTECTED DW DESIGN

- BT = BAY TIE
- CT = COLLAR TIE
- CC = CONNECTING GIRT
- EG = EAVE GIRT
- EP = EAVE PLATE
- FC = FLOOR GIRT
- CT = GABLE TIE
- HB = HAMMER BEAM
- HP = HAMMER POST
- HR = HIP RAFTER
- J = JOIST
- LDC = LEDGER
- KPO = KING POST
- P = POST
- PR = PORCH RAFTER
- PT = PURLIN TIE
- PN = BENT PURLIN
- PLN = PRINCIPLE PURLIN
- R = RAFTER
- RB = RIDGE BEAM
- RPN = RIDGE PURLIN
- S = SILL PLATE
- CB = CENTER BRACE
- B = KNEE BRACE
- VR = VALLEY RAFTER



WALL 9  
VIEWED FROM WEST



ALL FRAME MEMBERS ARE OF SOUTHERN YELLOW PINE  
(SUBSTITUTE SPECIES WILL BE NOTED)

NOTE: ALL FRAME WALLS ARE VIEWED FROM  
OUTSIDE UNLESS NOTED OTHERWISE

COPYRIGHT LAWS PROHIBIT REPRODUCTION OR USE OF THIS DRAWING,  
IN WHOLE OR IN PART, WITHOUT THE EXPRESSED WRITTEN PERMISSION  
OF DW TIMBER FRAME DESIGN

DO NOT SCALE DIMENSIONS ON THESE  
DRAWINGS. THESE IMAGES ARE  
MACHINE REPRODUCTIONS AND MAY  
CONTAIN A MARGIN OF ERROR.

**DW TIMBER FRAME DESIGN**

CUSTOMER: CAMA

DRAWN BY: DEW

DRAWING  
NUMBER:

DRAWING: WALL 9

REVISIONS:

F7

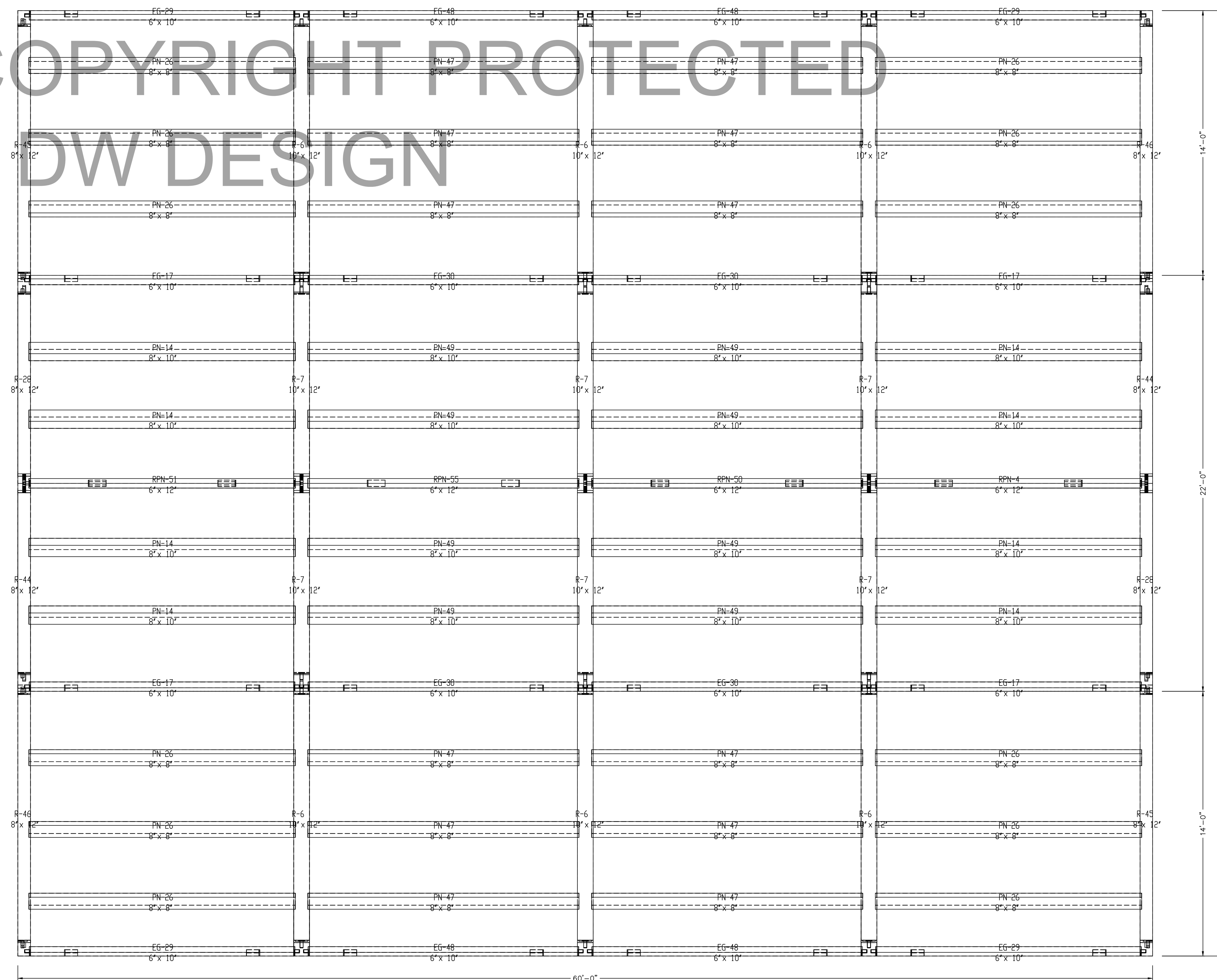
SCALE: 3/8" = 1' - 0"

DATE: 8/18/19

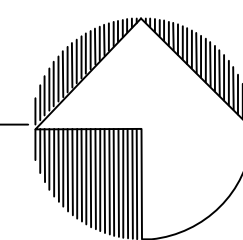
PROJECT NUMBER:

COPYRIGHT PROTECTED  
DW DESIGN

- BT = BAY TIE
- CT = COLLAR TIE
- CC = CONNECTING GIRT
- EG = EAVE GIRT
- EP = EAVE PLATE
- FG = FLOOR GIRT
- CT = CABLE TIE
- HB = HAMMER BEAM
- HP = HAMMER POST
- HR = HIP RAFTER
- J = JOIST
- LDC = LEDGER
- KPO = KING POST
- P = POST
- PR = PORCH RAFTER
- PT = PURLIN TIE
- PN = BENT PURLIN
- PLN = PRINCIPLE PURLIN
- R = RAFTER
- RB = RIDGE BEAM
- RPN = RIDGE PURLIN
- S = SILL PLATE
- CB = CENTER BRACE
- B = KNEE BRACE
- VR = VALLEY RAFTER



ROOF SYSTEM



PROJECT  
NORTH

ALL FRAME MEMBERS ARE OF SOUTHERN YELLOW PINE  
(SUBSTITUTE SPECIES WILL BE NOTED)

NOTE: ALL FRAME WALLS ARE VIEWED FROM  
OUTSIDE UNLESS NOTED OTHERWISE

COPYRIGHT LAWS PROHIBIT REPRODUCTION OR USE OF THIS DRAWING,  
IN WHOLE OR IN PART, WITHOUT THE EXPRESSED WRITTEN PERMISSION  
OF DW TIMBER FRAME DESIGN

DO NOT SCALE DIMENSIONS ON THESE  
DRAWINGS. THESE IMAGES ARE  
MACHINE REPRODUCTIONS AND MAY  
CONTAIN A MARGIN OF ERROR.

**DW TIMBER FRAME DESIGN**

CUSTOMER: CAMA

DRAWN BY: DEW

DRAWING: ROOF SYSTEM

REVISIONS:

SCALE: 3/8" = 1' - 0"

DATE: 8/18/19

PROJECT NUMBER:

DRAWING  
NUMBER:

F8