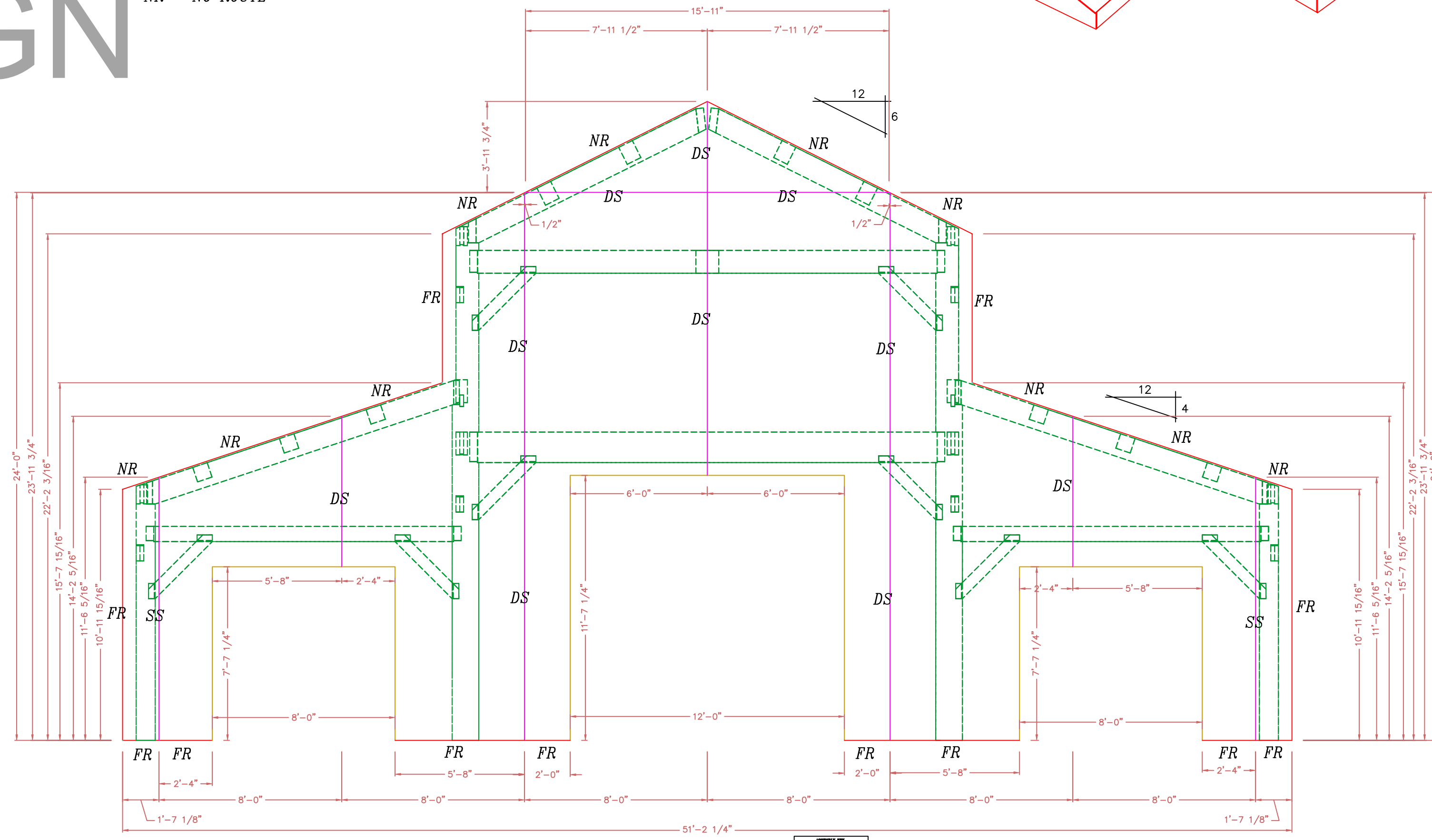
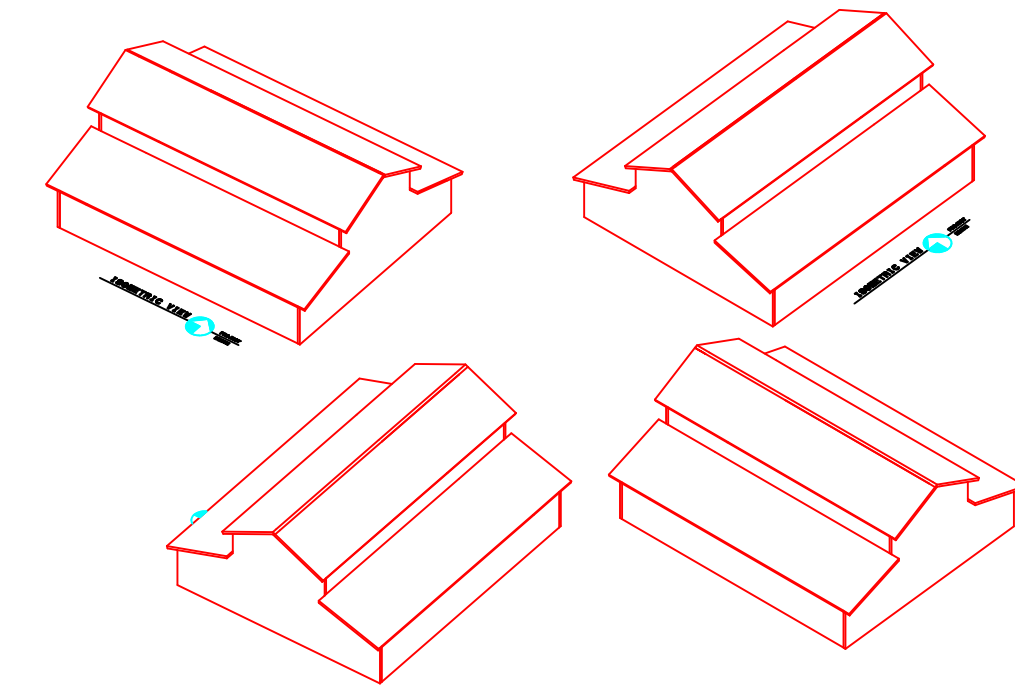


COPYRIGHT PROTECTED DW DESIGN

NOTE:
ALL WINDOW & DOOR OPENINGS ARE FULL ROUTE

----- = HIDDEN CUT (BACK SKIN)
----- = VISABLE CUT (FRONT SKIN)

FR2 = DOUBLE FULL ROUTE
FR = FULL ROUTE
HR = HALF ROUTE
SS = SINGLE SPLINE
DS = DOUBLE SPLINE
NR = NO ROUTE

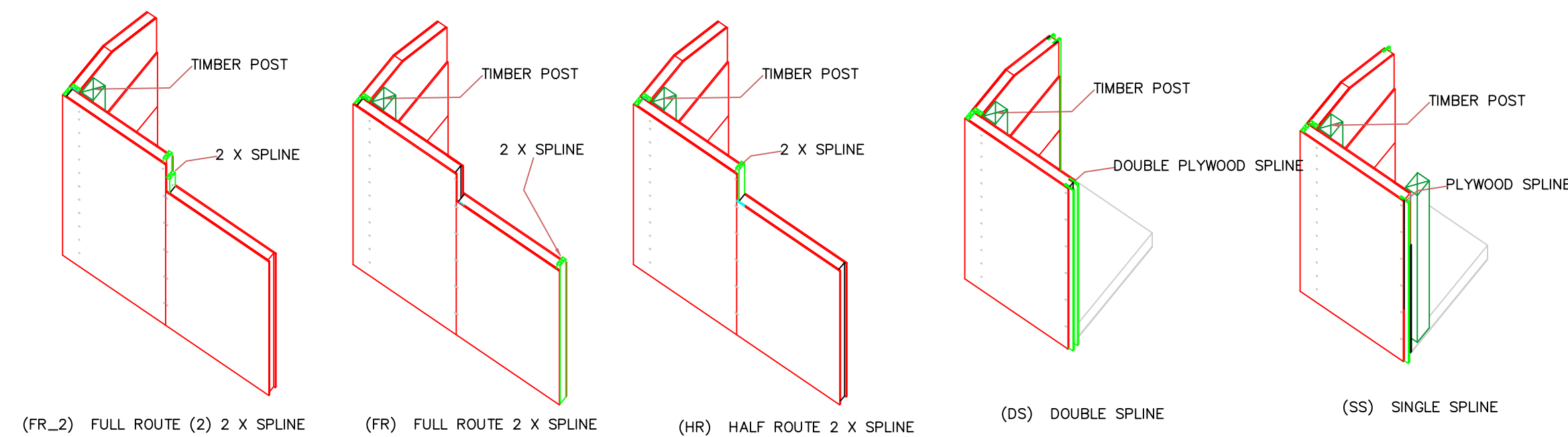


**WALL 3
EAST ELEVATION**
6 1/2" STRUCTURAL INSULATED (E.P.S.) PANELS.

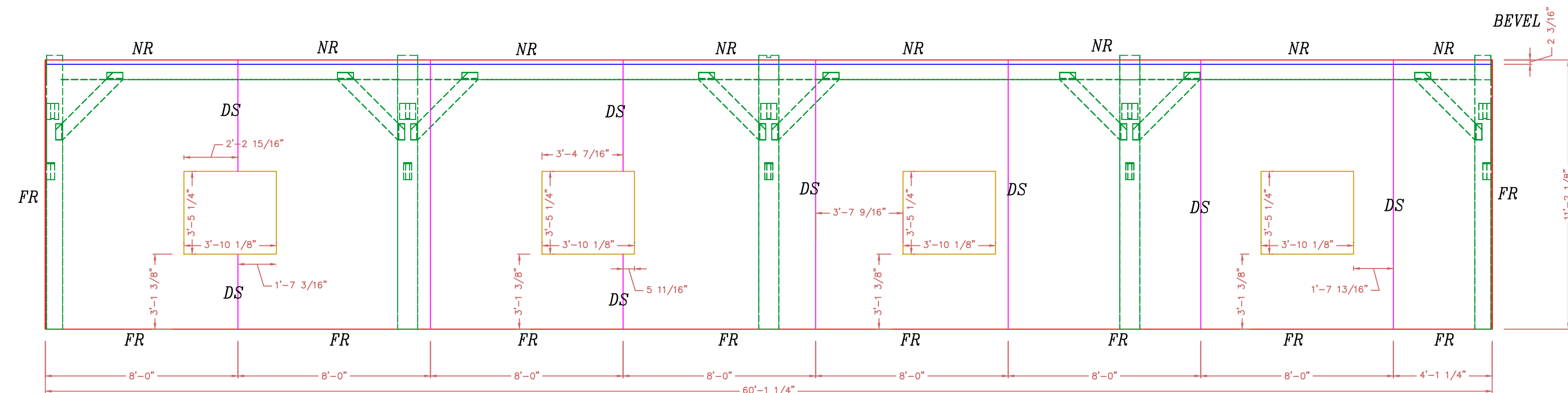
WALL KEY PROJECT NORTH

ROOF: IS 6 1/2" STRUCTURAL INSULATED (E.P.S.) PANELS.
THEY SHALL BE APPLIED TO TIMBER FRAME OVER 3/4" T & G BOARDS.

WALLS: ARE 6 1/2" STRUCTURAL INSULATED (E.P.S.) PANELS.
THEY SHALL BE APPLIED TO TIMBER FRAME OVER 1/2" SHEETROCK.
WITH 5/8" STRAPPING APPLIED TO EXTERIOR TIMBERS



DO NOT SCALE DIMENSIONS ON THESE DRAWINGS. THESE IMAGES ARE MACHINE REPRODUCTIONS AND MAY CONTAIN A MARGIN OF ERROR.



**WALL 1
SOUTH ELEVATION**
6 1/2" STRUCTURAL INSULATED (E.P.S.) PANELS.

NOTE: ALL PANEL WALLS ARE VIEWED FROM OUTSIDE UNLESS NOTED OTHERWISE

NOTE:
DIMENSIONS TO BE CONFIRMED BY GENERAL CONTRACTOR BEFORE PANELS ARE CUT

COPYRIGHT LAWS PROHIBIT REPRODUCTION OR USE OF THIS DRAWING, IN WHOLE OR IN PART, WITHOUT THE EXPRESSED WRITTEN PERMISSION OF DW TIMBER FRAME DESIGN

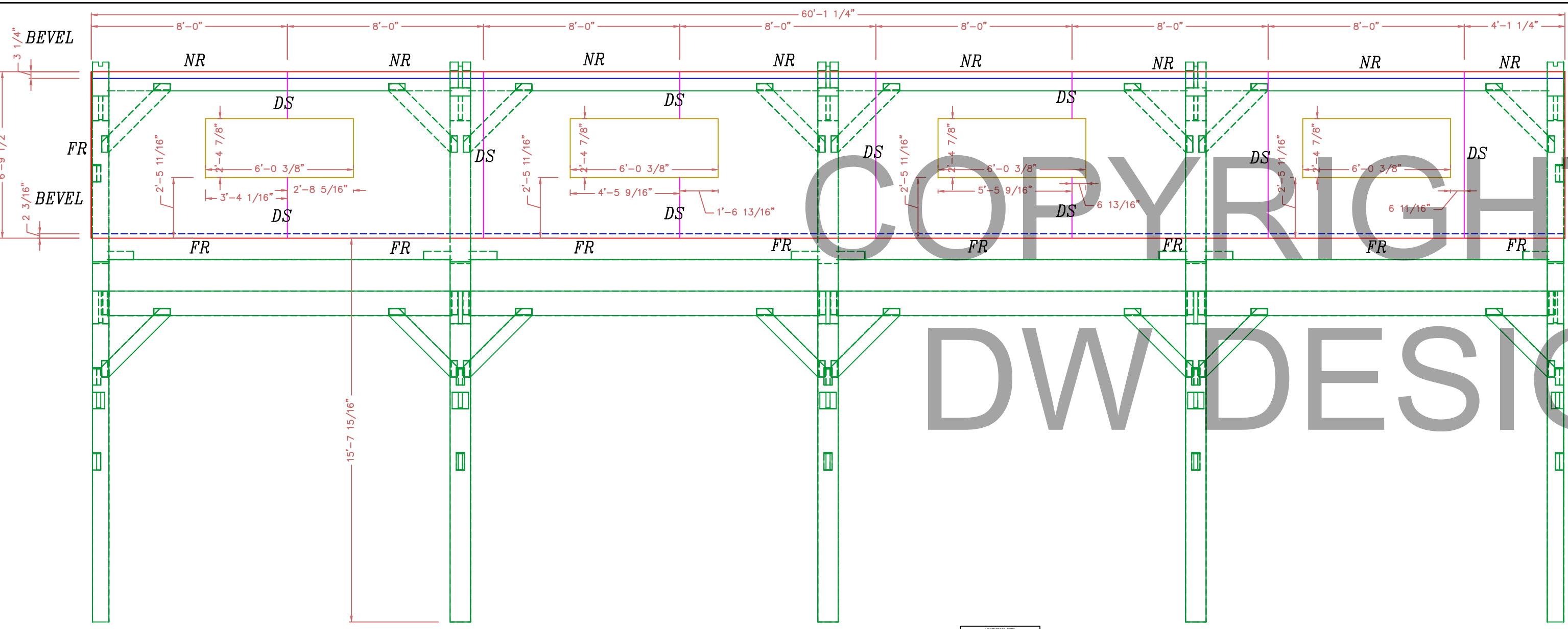
REVISIONS	
NUMBER	DESCRIPTION

SCALE: 1/4" = 1'-0"
DATE: 11/27/18
DRAWN BY: DEW
CHECKED BY:
DATE: 8/18/19

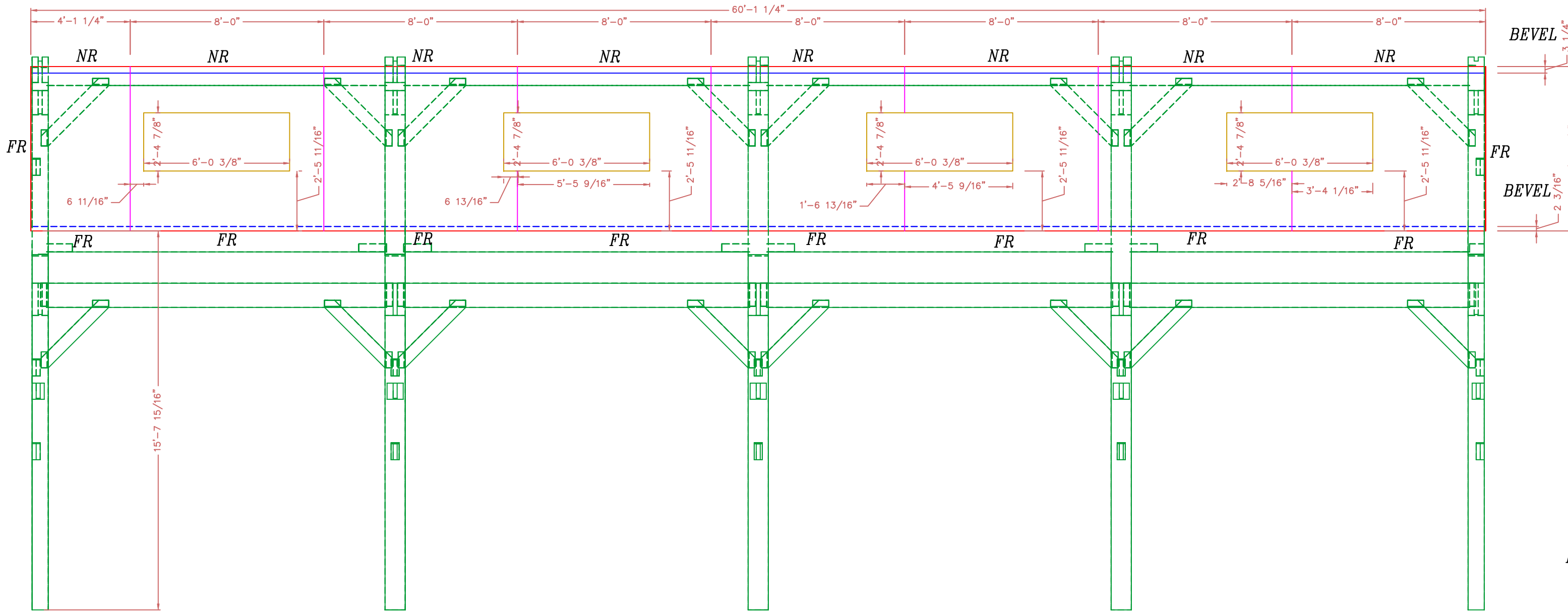
**CAMA BARN
LITHIA, FL 33547**

JOB NAME:

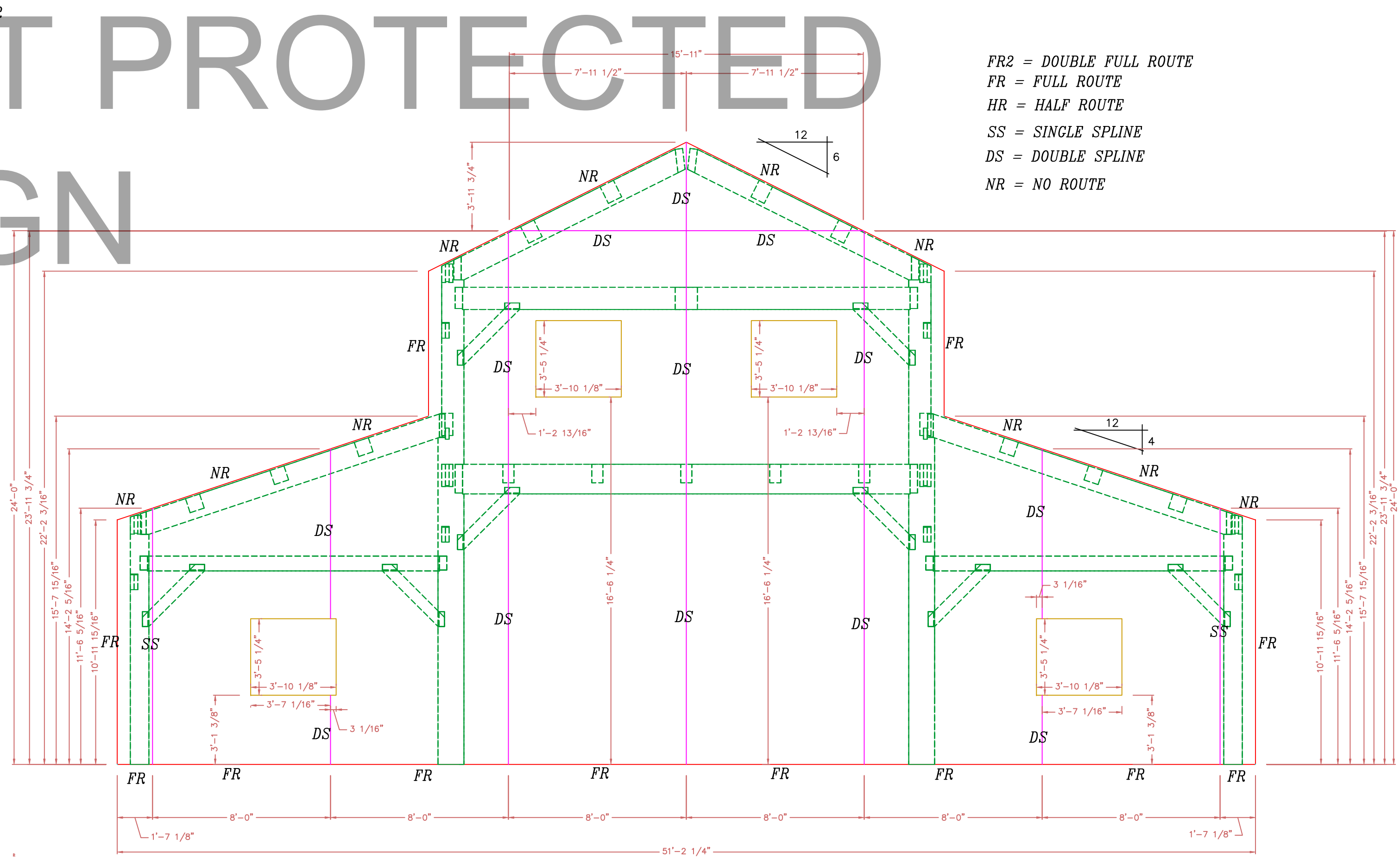
**DW TIMBER FRAME DESIGN
TIMBER FRAME & PANEL HOME DESIGN
WWW.TIMBERFRAMEDESIGN.NET
PHONE: (603)852-8251**



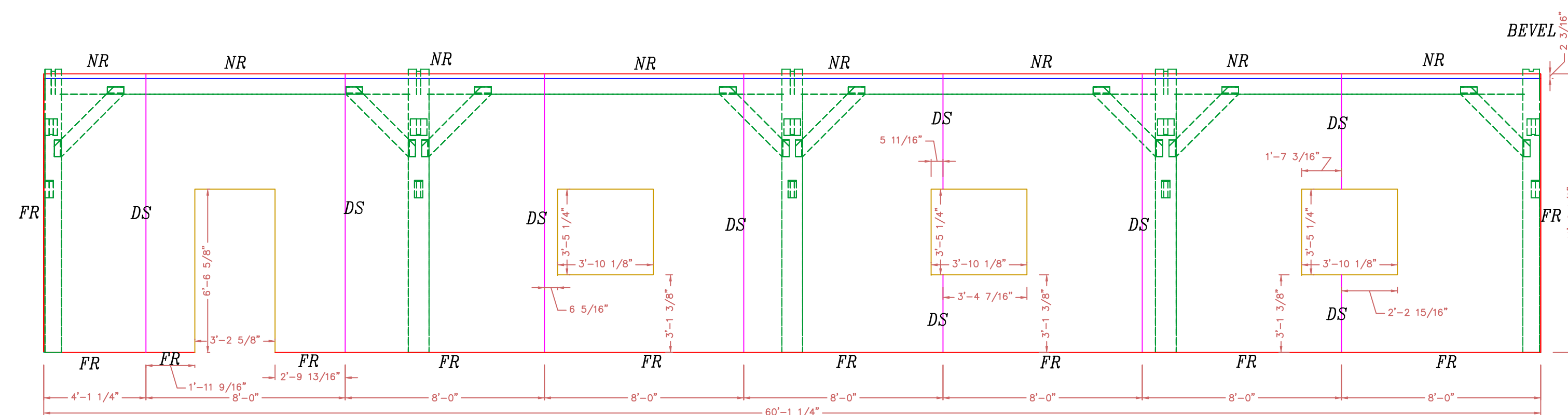
WALL 2
VIEWED FROM SOUTH
6 1/2" STRUCTURAL INSULATED (E.P.S.) PANELS.



WALL 5
VIEWED FROM NORTH
6 1/2" STRUCTURAL INSULATED (E.P.S.) PANELS.



WALL 6
WEST ELEVATION
6 1/2" STRUCTURAL INSULATED (E.P.S.) PANELS.



WALL 4
NORTH ELEVATION
6 1/2" STRUCTURAL INSULATED (E.P.S.) PANELS.

NOTE:
ALL WINDOW & DOOR OPENINGS ARE FULL ROUTE

--- = HIDDEN CUT (BACK SKIN)
--- = VISABLE CUT (FRONT SKIN)

FR2 = DOUBLE FULL ROUTE
FR = FULL ROUTE
HR = HALF ROUTE
SS = SINGLE SPLINE
DS = DOUBLE SPLINE
NR = NO ROUTE

ROOF: IS 6 1/2" STRUCTURAL INSULATED (E.P.S.) PANELS.
THEY SHALL BE APPLIED TO TIMBER FRAME OVER 3/4" T & G BOARDS.

WALLS: ARE 6 1/2" STRUCTURAL INSULATED (EPS) PANELS.
THEY SHALL BE APPLIED TO TIMBER FRAME OVER 1/2" SHEETROCK.
WITH 5/8" STRAPPING APPLIED TO EXTERIOR TIMBERS

NOTE: ALL PANEL WALLS ARE VIEWED FROM
OUTSIDE UNLESS NOTED OTHERWISE

NOTE:
DIMENSIONS TO BE CONFIRMED BY GENERAL
CONTRACTOR BEFORE PANELS ARE CUT

COPYRIGHT LAWS PROHIBIT REPRODUCTION OR USE OF THIS DRAWING,
IN WHOLE OR IN PART, WITHOUT THE EXPRESSED WRITTEN PERMISSION
OF DW TIMBER FRAME DESIGN

DO NOT SCALE DIMENSIONS ON THESE
DRAWINGS. THESE IMAGES ARE
MACHINE REPRODUCTIONS AND MAY
CONTAIN A MARGIN OF ERROR.

COPYRIGHT PROTECTED
DW DESIGN

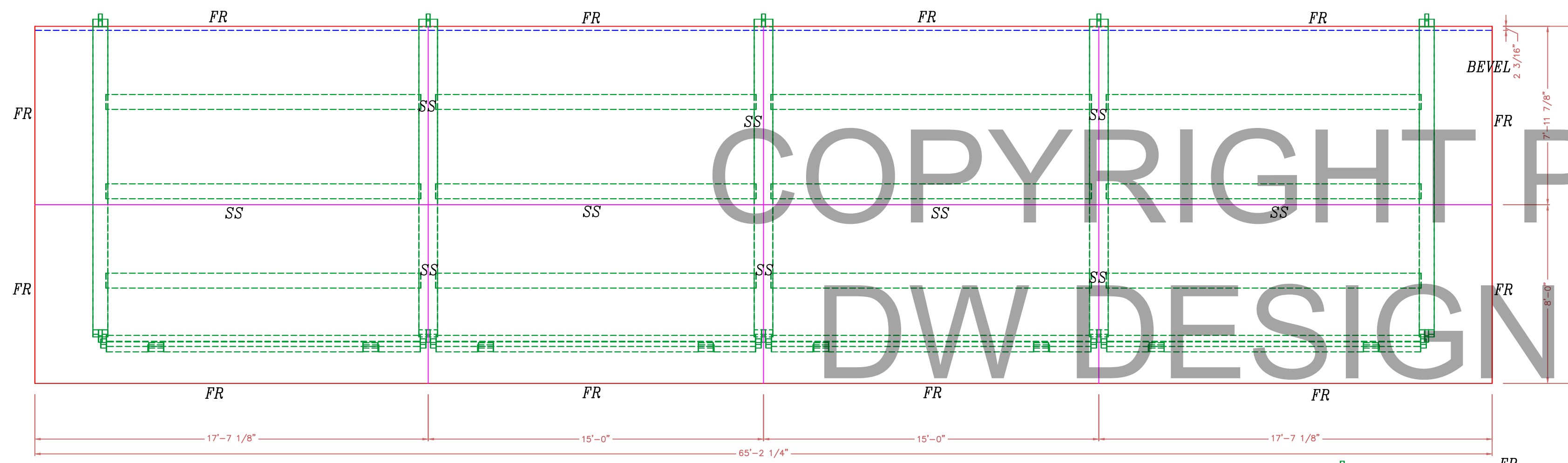
REVISIONS	
NUMBER	DESCRIPTION
8/18/19	
11/27/18	

SCALE: 1/4" = 1'-0"
DATE: 11/27/18
DRAWN BY: DEW
CHECKED BY:

JOB NAME:
CAMA BARN
LITHIA, FL 33547

DW TIMBER FRAME DESIGN
TIMBER FRAME & PANEL HOME DESIGN
WWW.TIMBERFRAMEDSIGN.NET
PHONE: (603)852-8251

COPYRIGHT PROTECTED
DW DESIGN

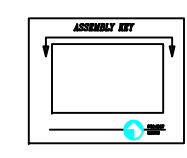


ROOF
SOUTH ELEVATION
6 1/2" STRUCTURAL INSULATED (E.P.S.) PANELS.

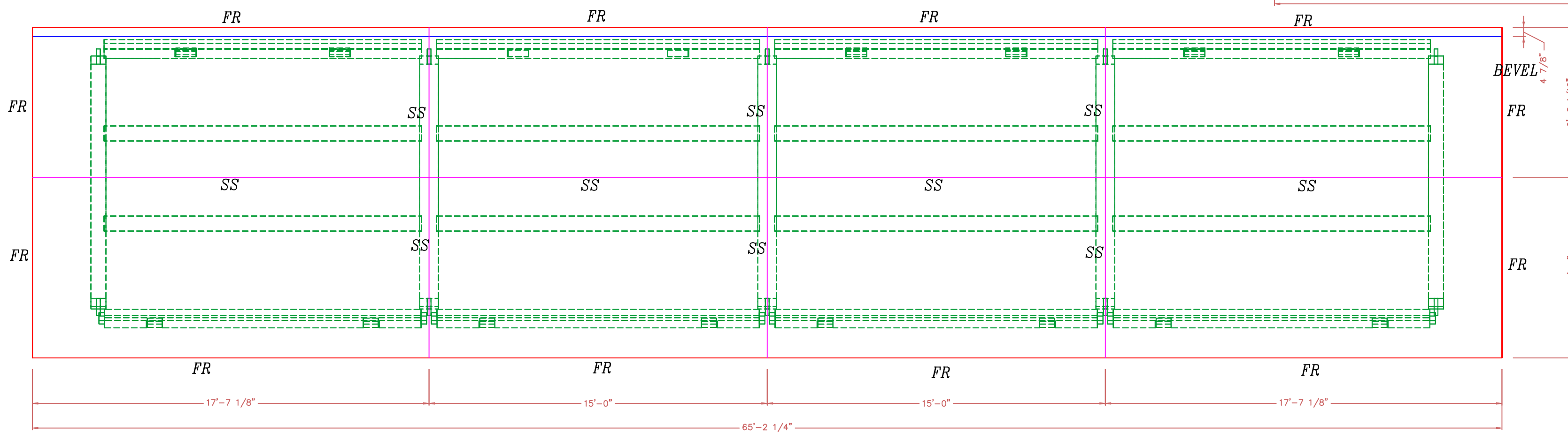
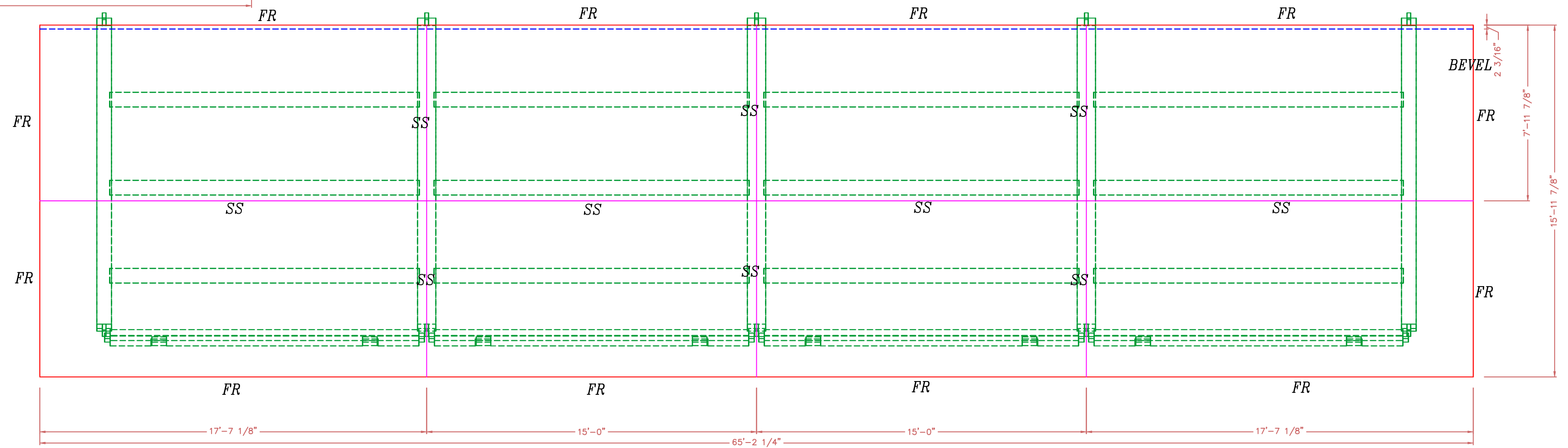
NOTE:
ALL WINDOW & DOOR OPENINGS ARE FULL ROUTE

- HIDDEN CUT (BACK SKIN)
- VISIBLE CUT (FRONT SKIN)

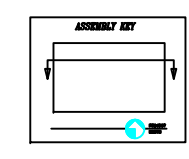
- FR2 = DOUBLE FULL ROUTE
- FR = FULL ROUTE
- HR = HALF ROUTE
- SS = SINGLE SPLINE
- DS = DOUBLE SPLINE
- NR = NO ROUTE



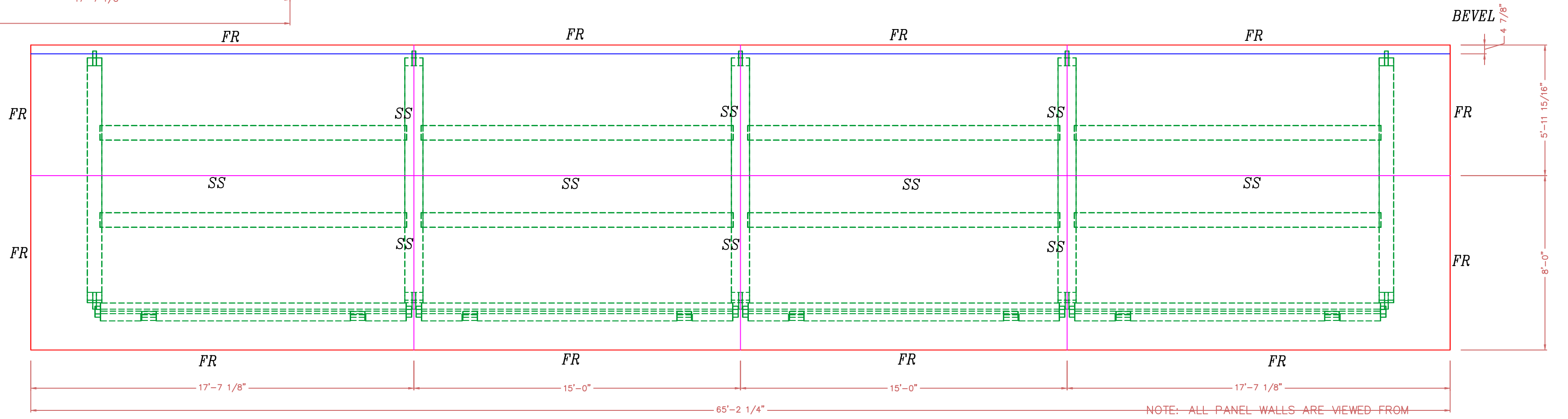
ROOF
NORTH ELEVATION
6 1/2" STRUCTURAL INSULATED (E.P.S.) PANELS.



ROOF
VIEWED FROM SOUTH
6 1/2" STRUCTURAL INSULATED (E.P.S.) PANELS.



ROOF
VIEWED FROM NORTH
6 1/2" STRUCTURAL INSULATED (E.P.S.) PANELS.



NOTE: ALL PANEL WALLS ARE VIEWED FROM OUTSIDE UNLESS NOTED OTHERWISE

NOTE:
DIMENSIONS TO BE CONFIRMED BY GENERAL CONTRACTOR BEFORE PANELS ARE CUT

COPYRIGHT LAWS PROHIBIT REPRODUCTION OR USE OF THIS DRAWING, IN WHOLE OR IN PART, WITHOUT THE EXPRESSED WRITTEN PERMISSION OF DW TIMBER FRAME DESIGN

ROOF: IS 6 1/2" STRUCTURAL INSULATED (E.P.S.) PANELS. THEY SHALL BE APPLIED TO TIMBER FRAME OVER 3/4" T & G BOARDS.

WALLS: ARE 6 1/2" STRUCTURAL INSULATED (EPS) PANELS. THEY SHALL BE APPLIED TO TIMBER FRAME OVER 1/2" SHEETROCK, WITH 5/8" STRAPPING APPLIED TO EXTERIOR TIMBERS

DO NOT SCALE DIMENSIONS ON THESE DRAWINGS. THESE IMAGES ARE MACHINE REPRODUCTIONS AND MAY CONTAIN A MARGIN OF ERROR.

REVISIONS	NUMBER & DESCRIPTION	DATE	BY
SCALE: 1/4" = 1'-0"	DATE: 11/27/18	DRAWN BY: DEW	CHECKED BY:

JOB NAME: **CAMA BARN**
LITHIA, FL 33547

DW TIMBER FRAME DESIGN
TIMBER FRAME & PANEL HOME DESIGN
WWW.TIMBERFRAMEDESIGN.NET
PHONE: (603)852-8251