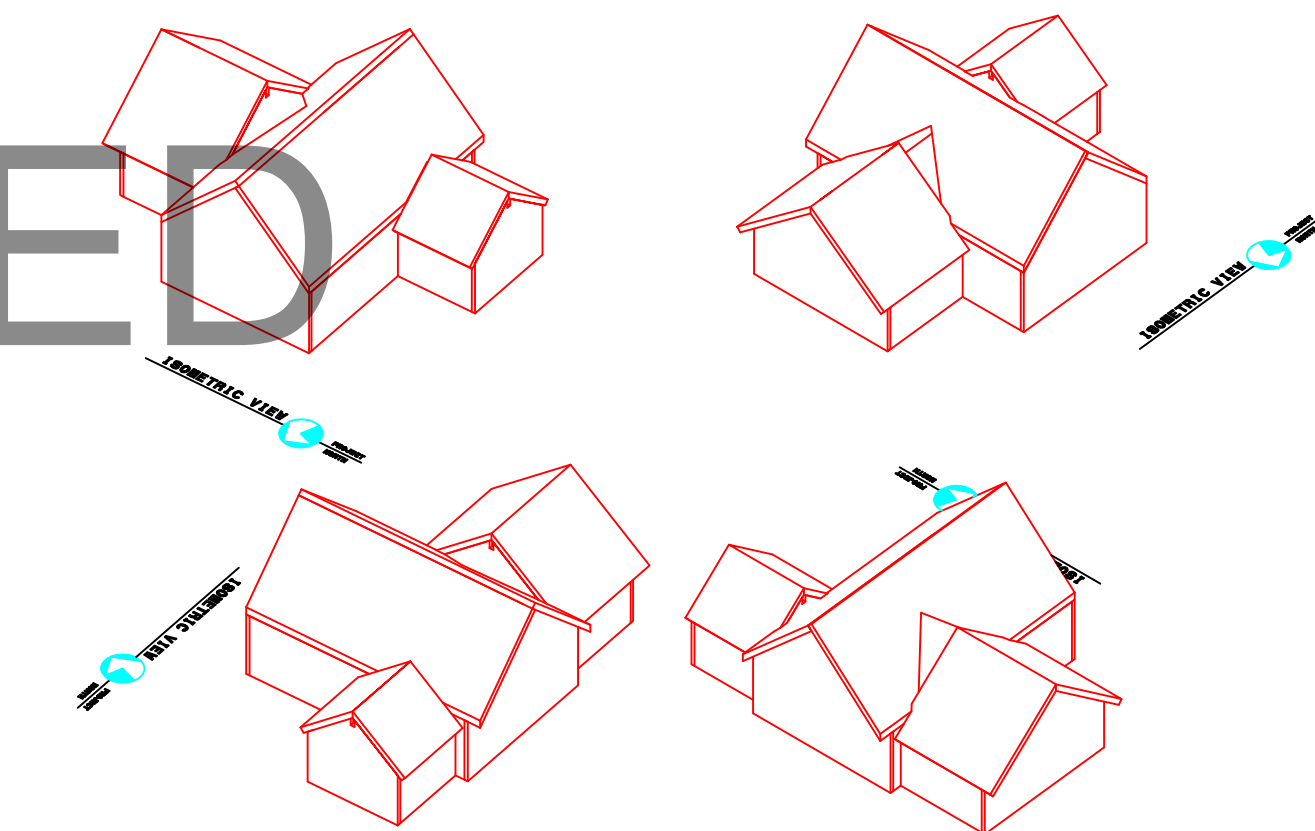
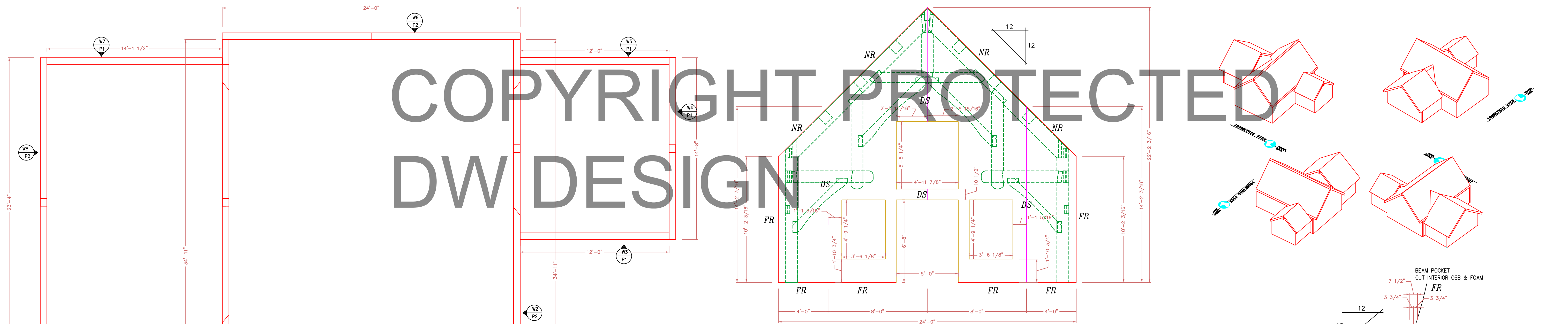
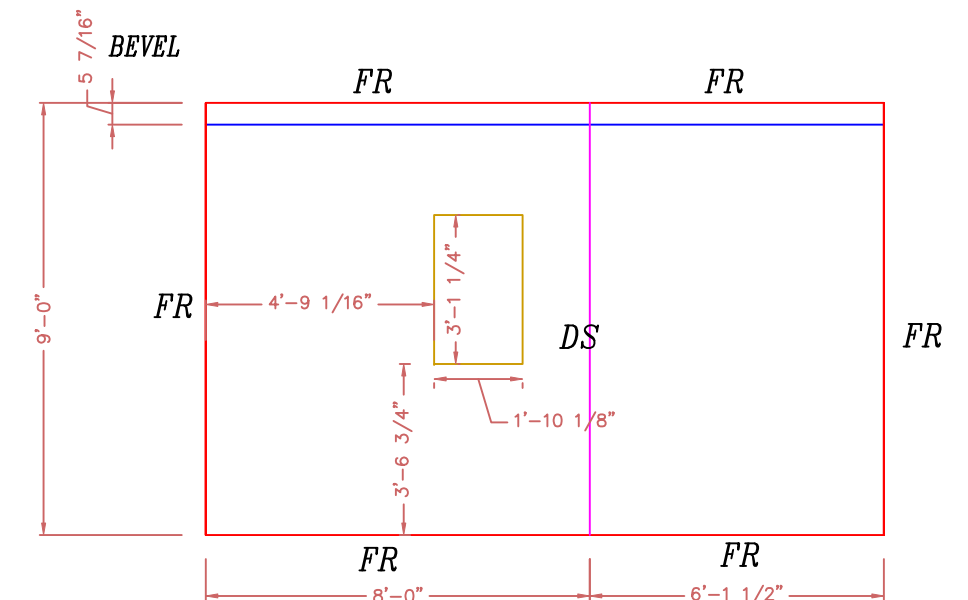


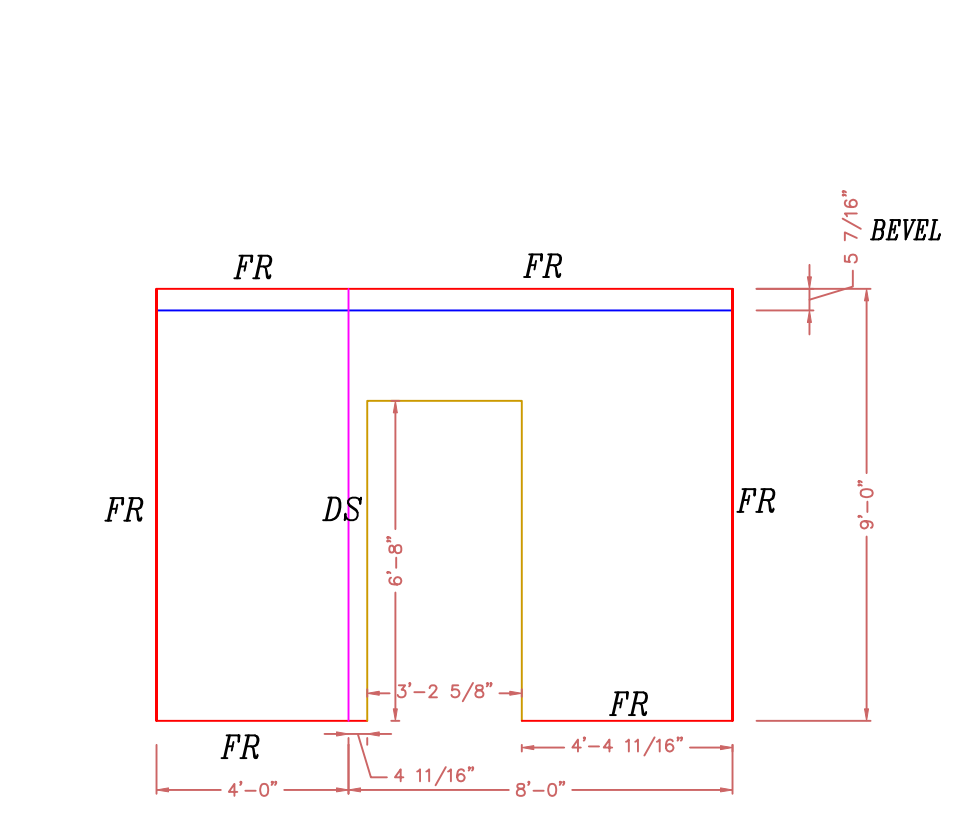
COPYRIGHT PROTECTED
DW DESIGN



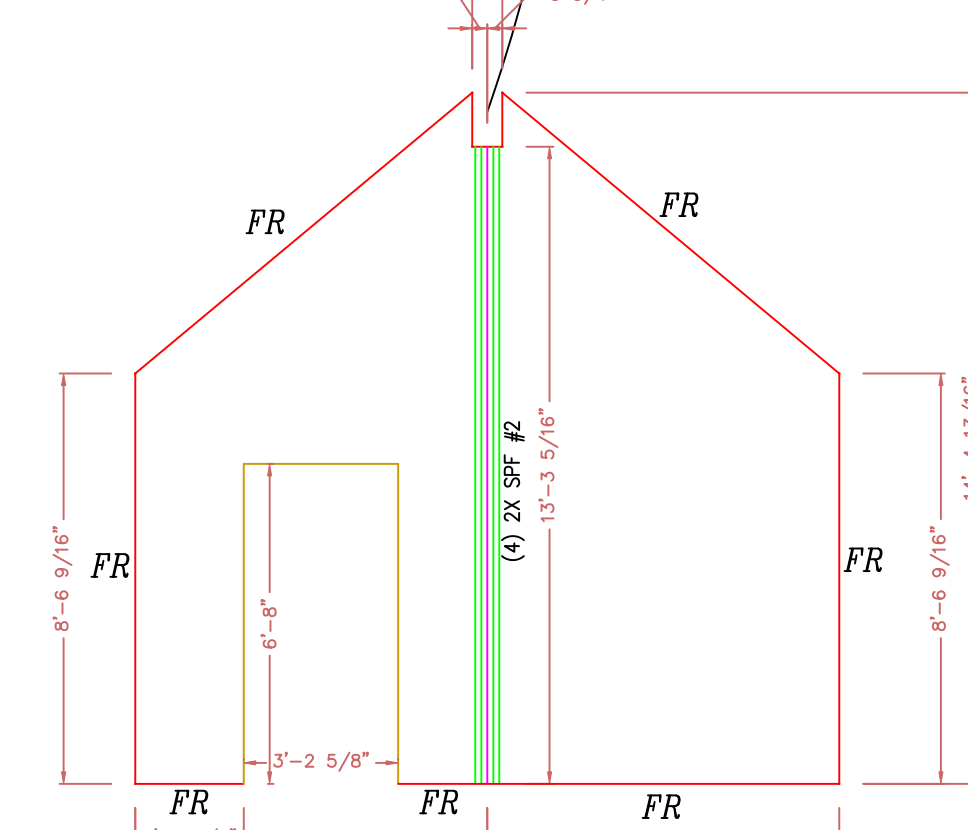
WALL 1
VIEWED FROM NORTH
6 1/2" STRUCTURAL INSULATED (E.P.S.) PANELS.



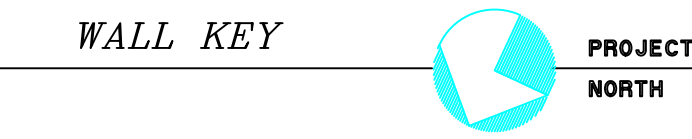
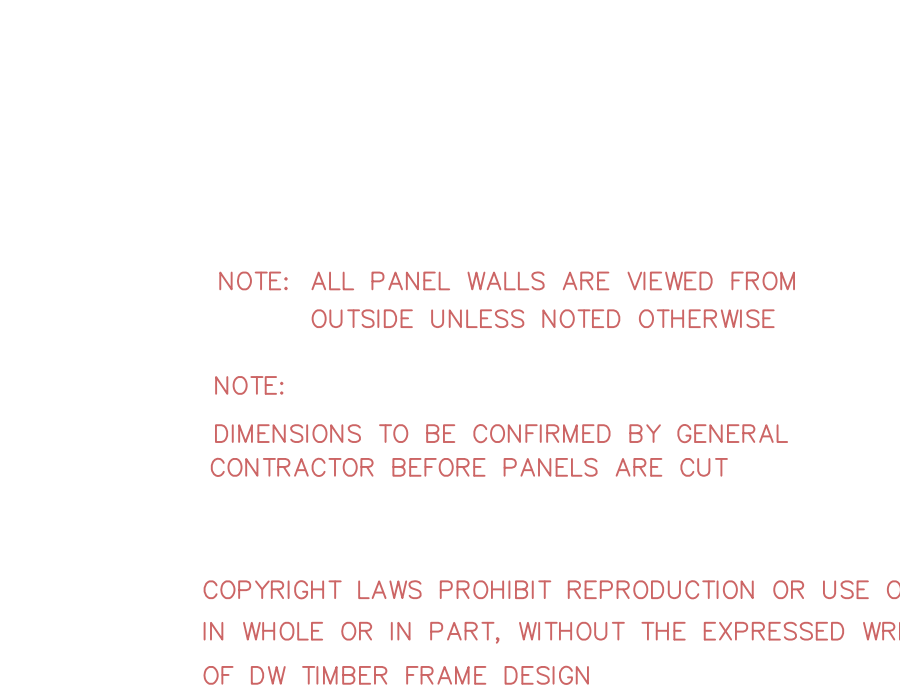
WALL 7
SOUTH ELEVATION
6 1/2" STRUCTURAL INSULATED (E.P.S.) PANELS.



WALL 2
WEST ELEVATION
6 1/2" STRUCTURAL INSULATED (E.P.S.) PANELS.



WALL 5
VIEWED FROM SOUTH
6 1/2" STRUCTURAL INSULATED (E.P.S.) PANELS.



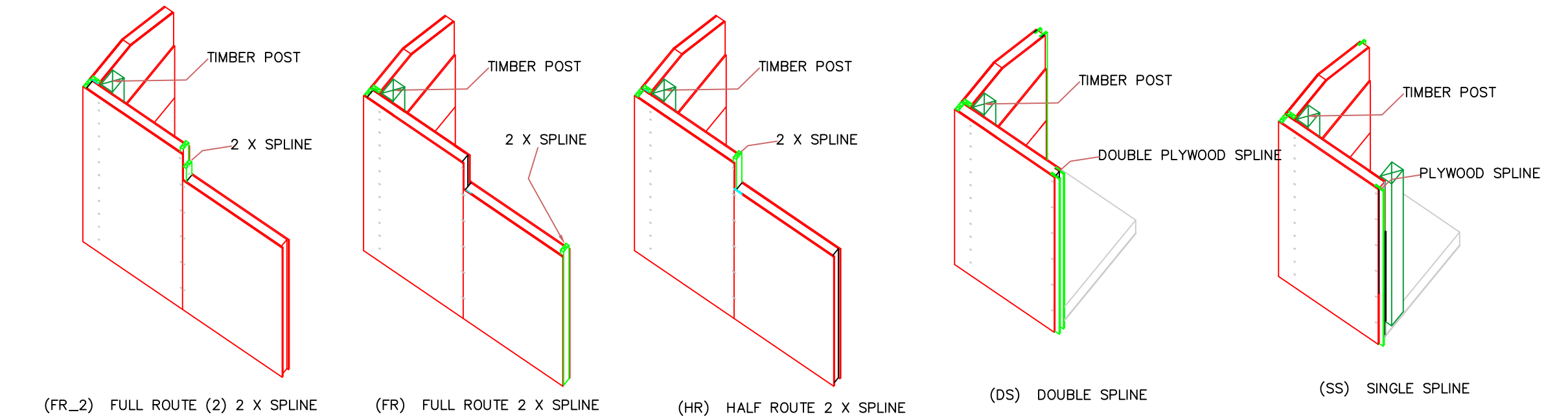
NOTE:
ALL WINDOW & DOOR OPENINGS ARE FULL ROUTE

- - - HIDDEN CUT (BACK SKIN)
- VISABLE CUT (FRONT SKIN)

- FR2 = DOUBLE FULL ROUTE
- FR = FULL ROUTE
- HR = HALF ROUTE
- SS = SINGLE SPLINE
- DS = DOUBLE SPLINE
- NR = NO ROUTE

ROOF: IS 10 1/4" STRUCTURAL INSULATED (E.P.S.) PANELS.
THEY SHALL BE APPLIED TO TIMBER FRAME OVER 3/4" T & G BOARDS.

WALLS: ARE 6 1/2" STRUCTURAL INSULATED (EPS) PANELS.
THEY SHALL BE APPLIED TO TIMBER FRAME OVER 1/2" SHEETROCK,
WITH 5/8" STRAPPING APPLIED TO EXTERIOR TIMBERS



DO NOT SCALE DIMENSIONS ON THESE DRAWINGS. THESE IMAGES ARE MACHINE REPRODUCTIONS AND MAY CONTAIN A MARGIN OF ERROR.

NOTE: ALL PANEL WALLS ARE VIEWED FROM OUTSIDE UNLESS NOTED OTHERWISE

NOTE: DIMENSIONS TO BE CONFIRMED BY GENERAL CONTRACTOR BEFORE PANELS ARE CUT

COPYRIGHT LAWS PROHIBIT REPRODUCTION OR USE OF THIS DRAWING, IN WHOLE OR IN PART, WITHOUT THE EXPRESSED WRITTEN PERMISSION OF DW TIMBER FRAME DESIGN

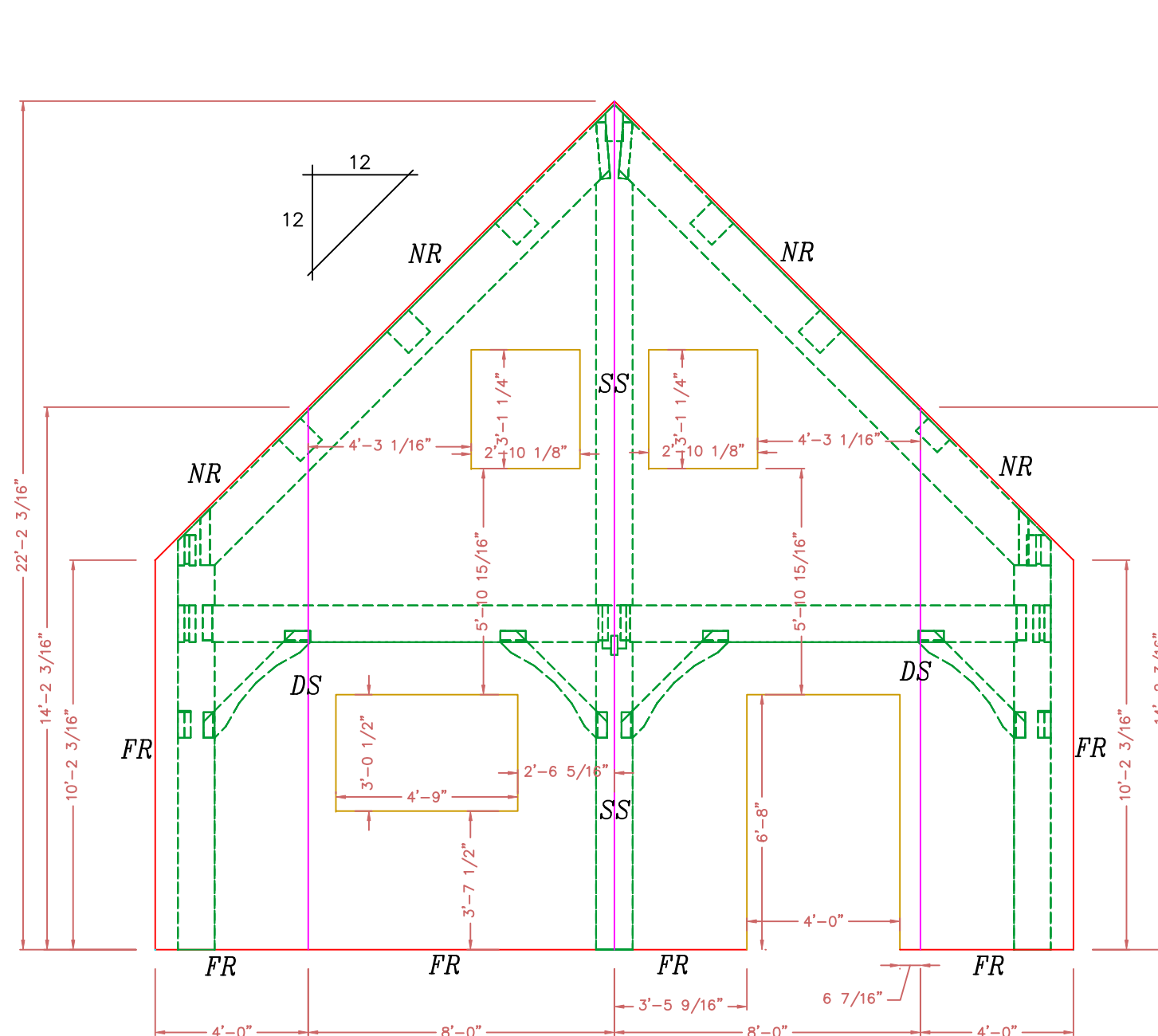
REVISIONS	
DATE	NUMBER & DESCRIPTION
3/20/19	

SCALE: 1/4" = 1'-0"
DATE: 1/12/19
DRAWN BY: DEW
CHECKED BY:

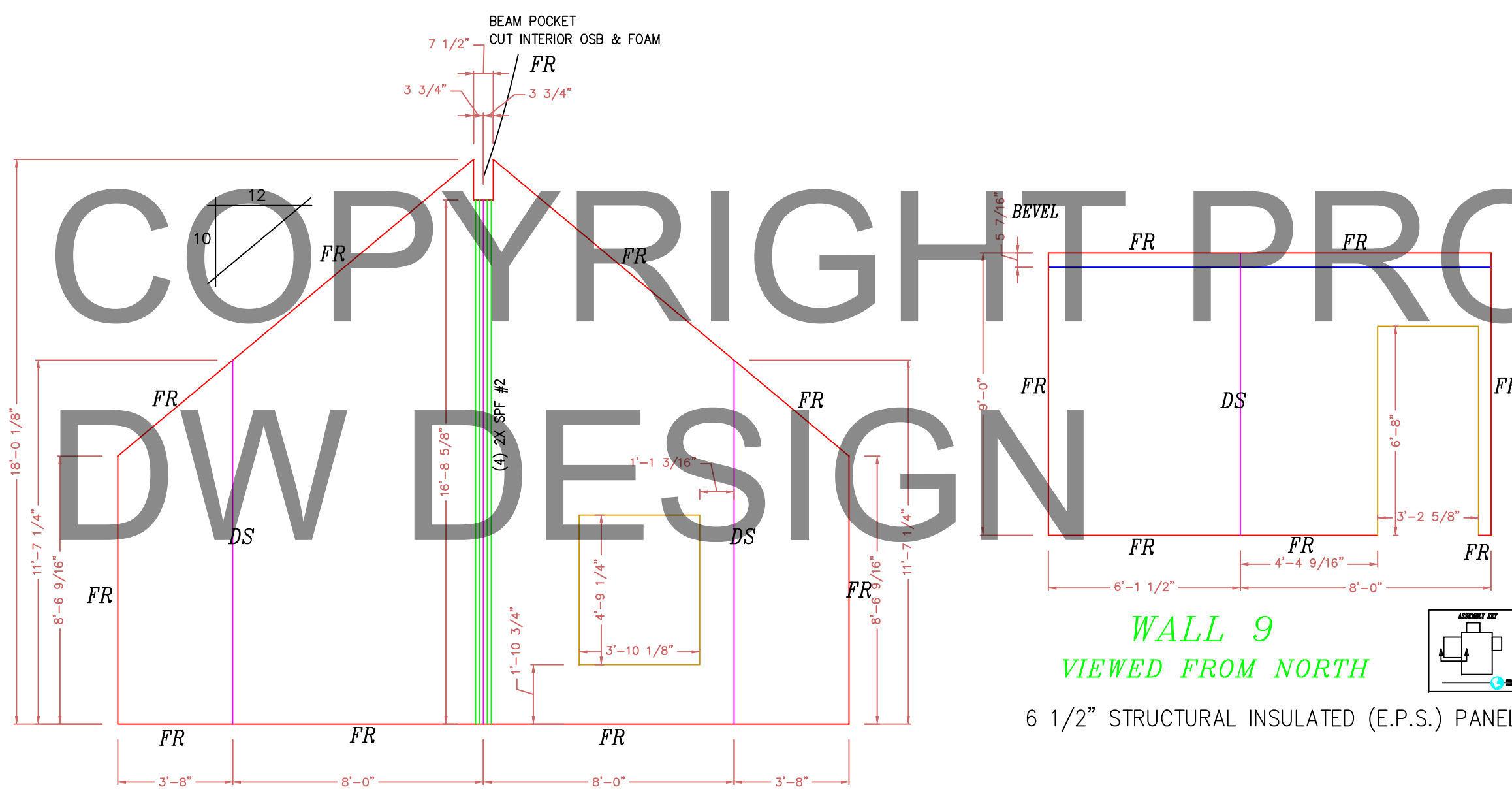
JOB NAME:
OFFERMANN RESIDENCE
SPEARFISH, SD

DW TIMBER FRAME DESIGN
TIMBER FRAME & PANEL HOME DESIGN
WWW.TIMBERFRAMEDESIGN.NET
PHONE: (603)852-8251

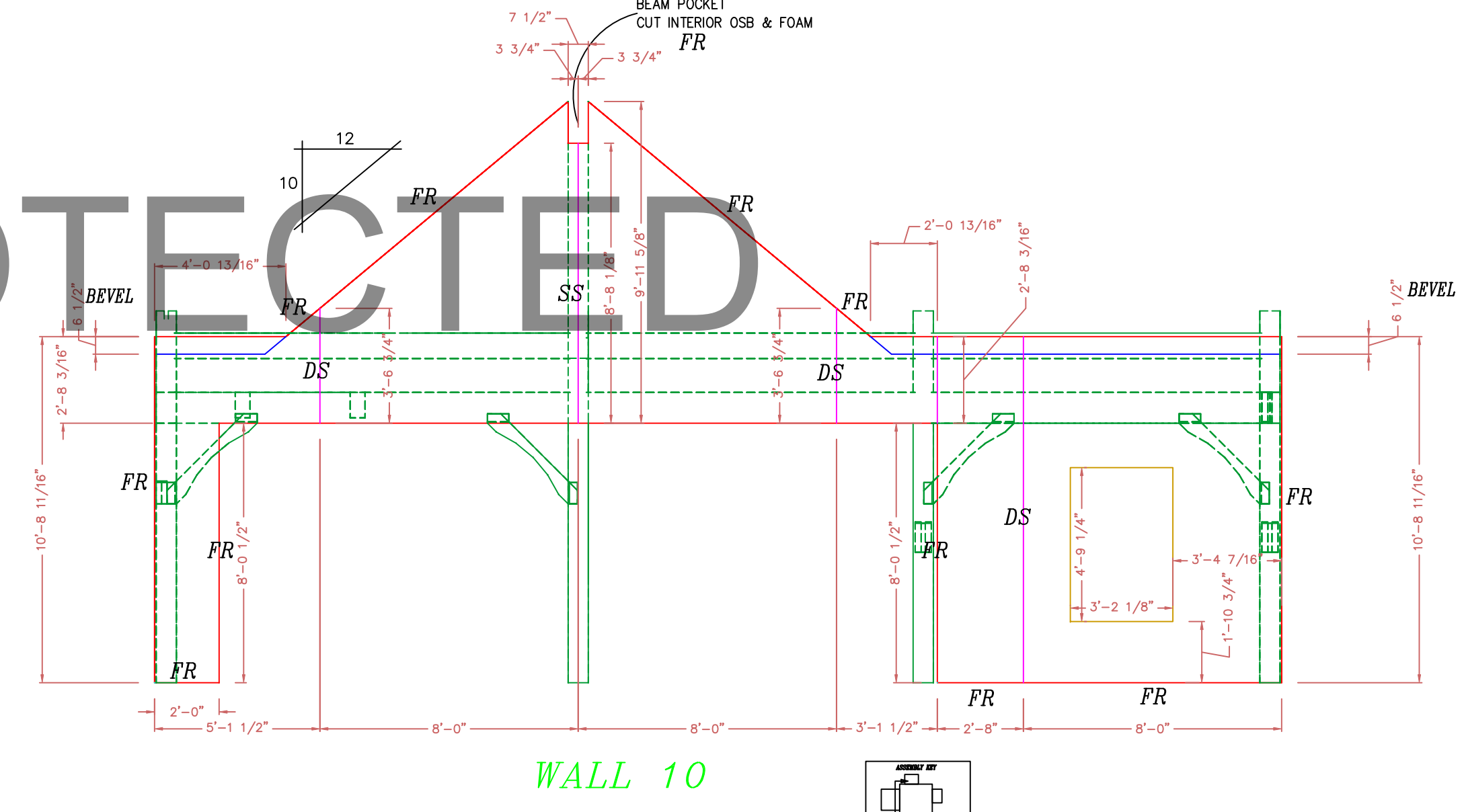
COPYRIGHT PROTECTED DW DESIGN



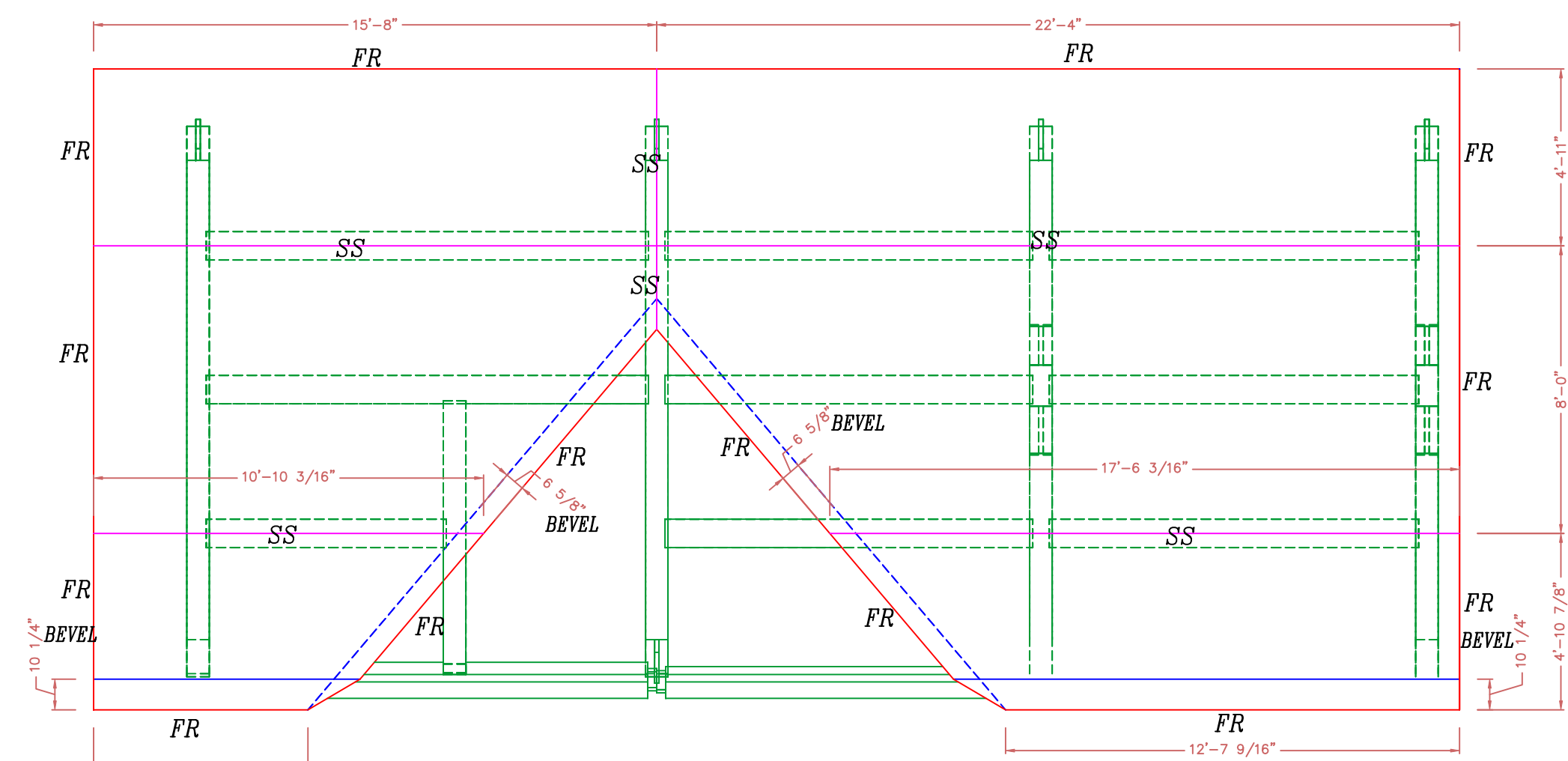
WALL 6
SOUTH ELEVATION
6 1/2" STRUCTURAL INSULATED (E.P.S.) PANELS.



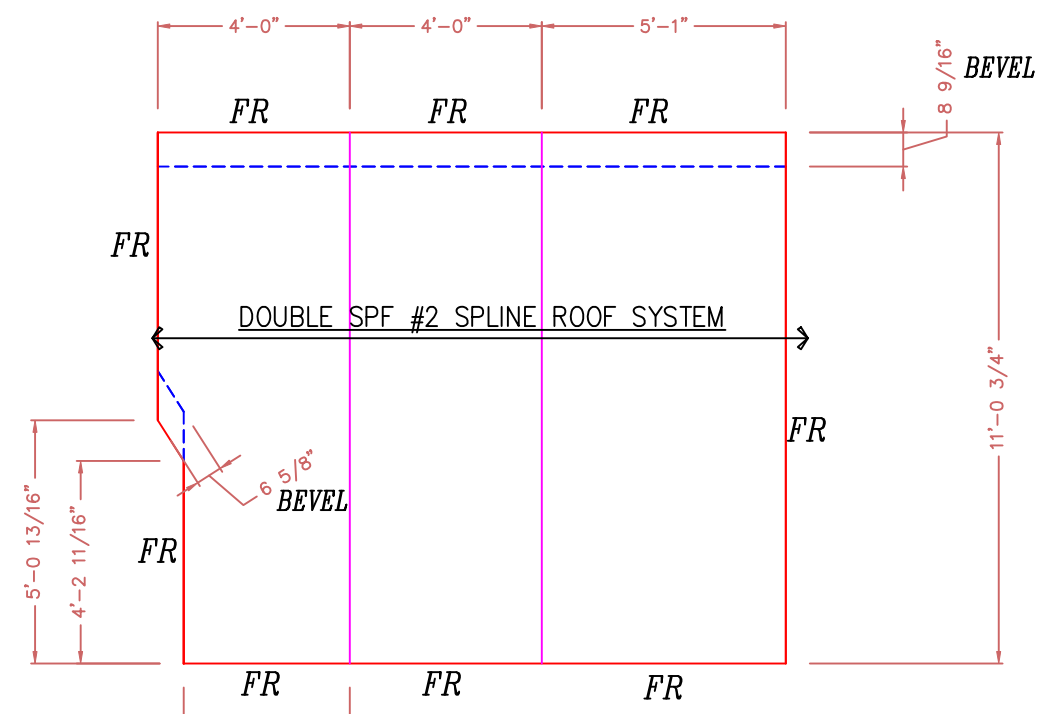
WALL 8
EAST ELEVATION
6 1/2" STRUCTURAL INSULATED (E.P.S.) PANELS.



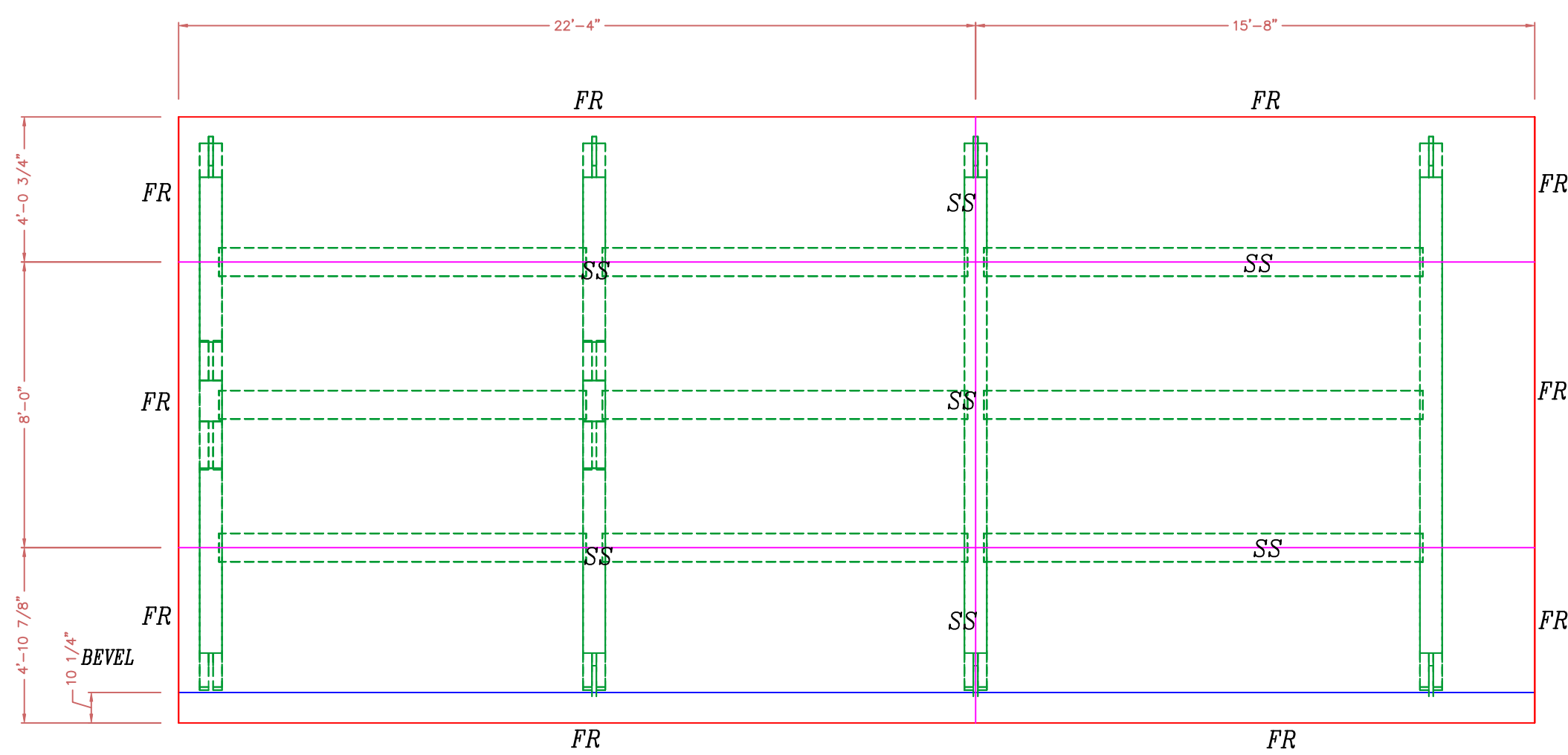
WALL 10
EAST ELEVATION
6 1/2" STRUCTURAL INSULATED (E.P.S.) PANELS.



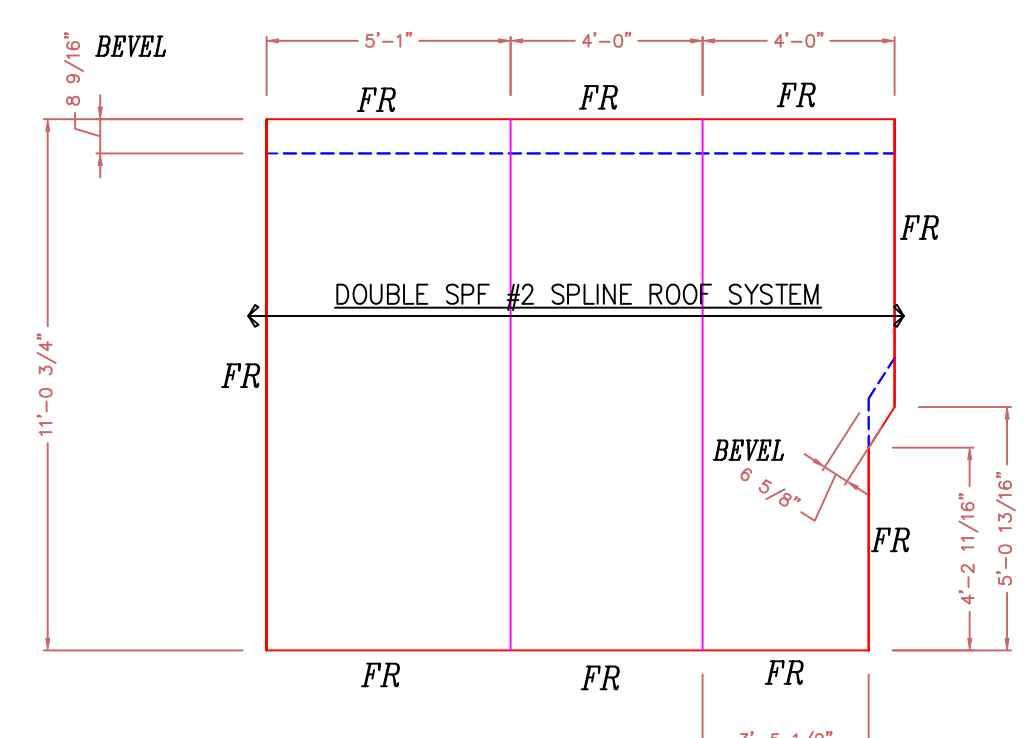
ROOF
EAST ELEVATION
10 1/4" STRUCTURAL INSULATED (E.P.S.) PANELS.



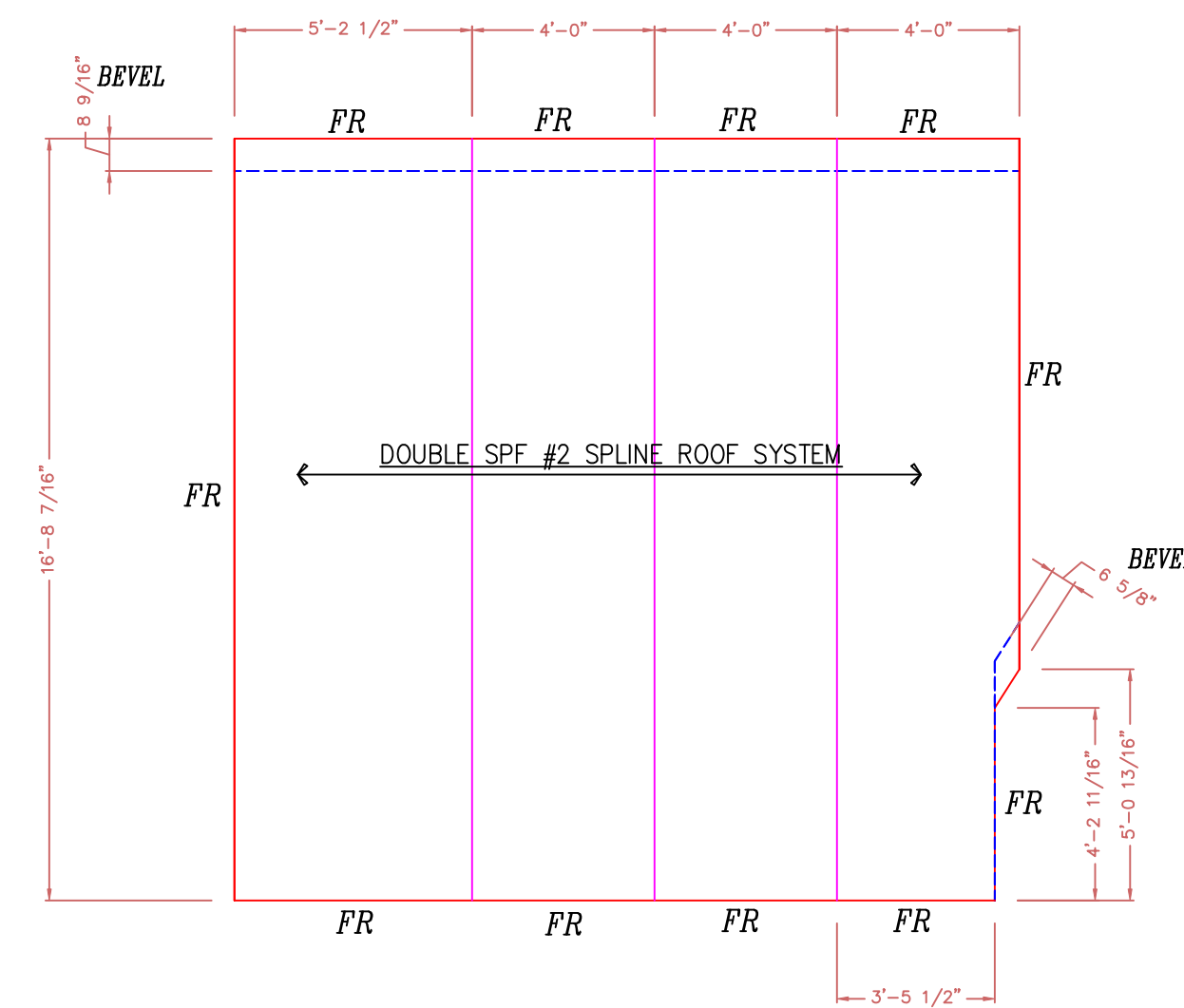
ROOF
VIEWED FROM NORTH
10 1/4" STRUCTURAL INSULATED (E.P.S.) PANELS.



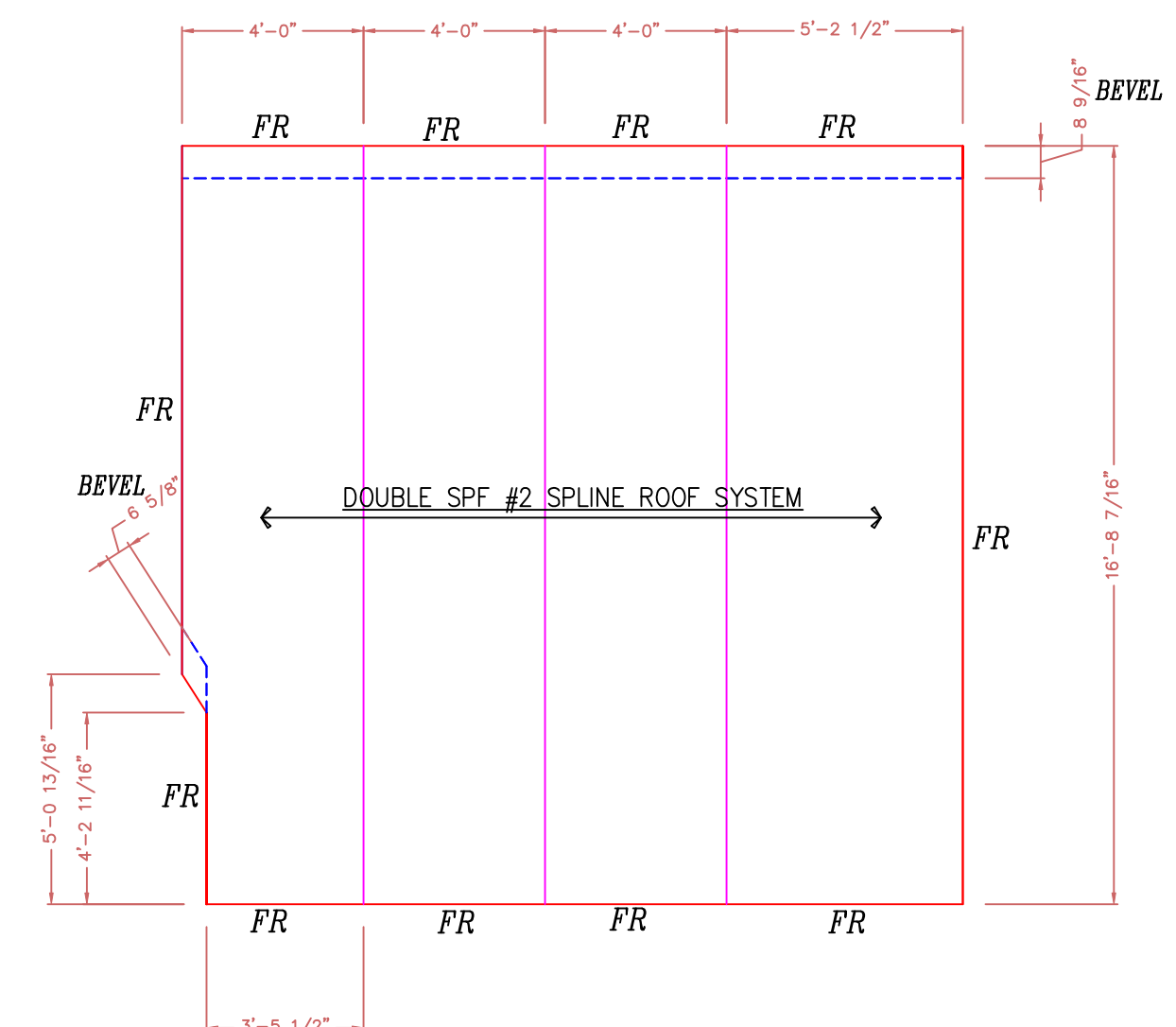
ROOF
WEST ELEVATION
10 1/4" STRUCTURAL INSULATED (E.P.S.) PANELS.



ROOF
VIEWED FROM SOUTH
10 1/4" STRUCTURAL INSULATED (E.P.S.) PANELS.



ROOF
VIEWED FROM NORTH
10 1/4" STRUCTURAL INSULATED (E.P.S.) PANELS.



ROOF
SOUTH ELEVATION
10 1/4" STRUCTURAL INSULATED (E.P.S.) PANELS.

NOTE:
ALL WINDOW & DOOR OPENINGS ARE FULL ROUTE
--- = HIDDEN CUT (BACK SKIN)
--- = VISABLE CUT (FRONT SKIN)

FR2 = DOUBLE FULL ROUTE
FR = FULL ROUTE
HR = HALF ROUTE
SS = SINGLE SPLINE
DS = DOUBLE SPLINE
NR = NO ROUTE

ROOF: IS 10 1/4" STRUCTURAL INSULATED (E.P.S.) PANELS.
THEY SHALL BE APPLIED TO TIMBER FRAME OVER 3/4" T & G BOARDS.

WALLS: ARE 6 1/2" STRUCTURAL INSULATED (EPS) PANELS.
THEY SHALL BE APPLIED TO TIMBER FRAME OVER 1/2" SHEETROCK.
WITH 5/8" STRAPPING APPLIED TO EXTERIOR TIMBERS

NOTE: ALL PANEL WALLS ARE VIEWED FROM
OUTSIDE UNLESS NOTED OTHERWISE

NOTE:
DIMENSIONS TO BE CONFIRMED BY GENERAL
CONTRACTOR BEFORE PANELS ARE CUT

COPYRIGHT LAWS PROHIBIT REPRODUCTION OR USE OF THIS DRAWING,
IN WHOLE OR IN PART, WITHOUT THE EXPRESSED WRITTEN PERMISSION
OF DW TIMBER FRAME DESIGN

DO NOT SCALE DIMENSIONS ON THESE
DRAWINGS. THESE IMAGES ARE
MACHINE REPRODUCTIONS AND MAY
CONTAIN A MARGIN OF ERROR.

REVISIONS	
NUMBER	DESCRIPTION

DATE: 3/20/19

SCALE: 1/4" = 1'-0"
DATE: 1/12/19
DRAWN BY: DEW
CHECKED BY:

JOB NAME:
**OFFERMANN RESIDENCE
SPEARFISH, SD**

DW TIMBER FRAME DESIGN
TIMBER FRAME & PANEL HOME DESIGN
WWW.TIMBERFRAMEDESIGN.NET
PHONE: (603)852-8251