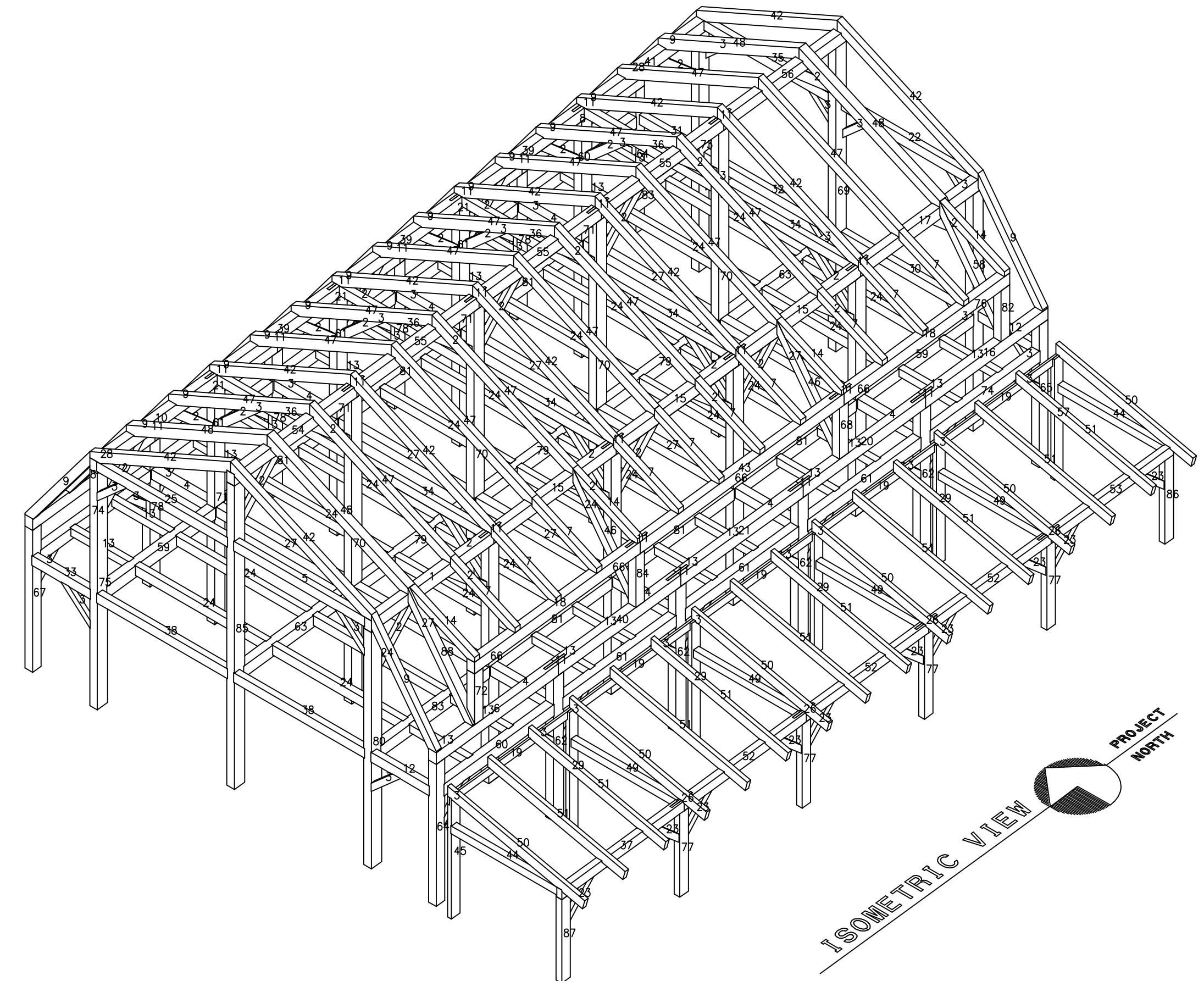
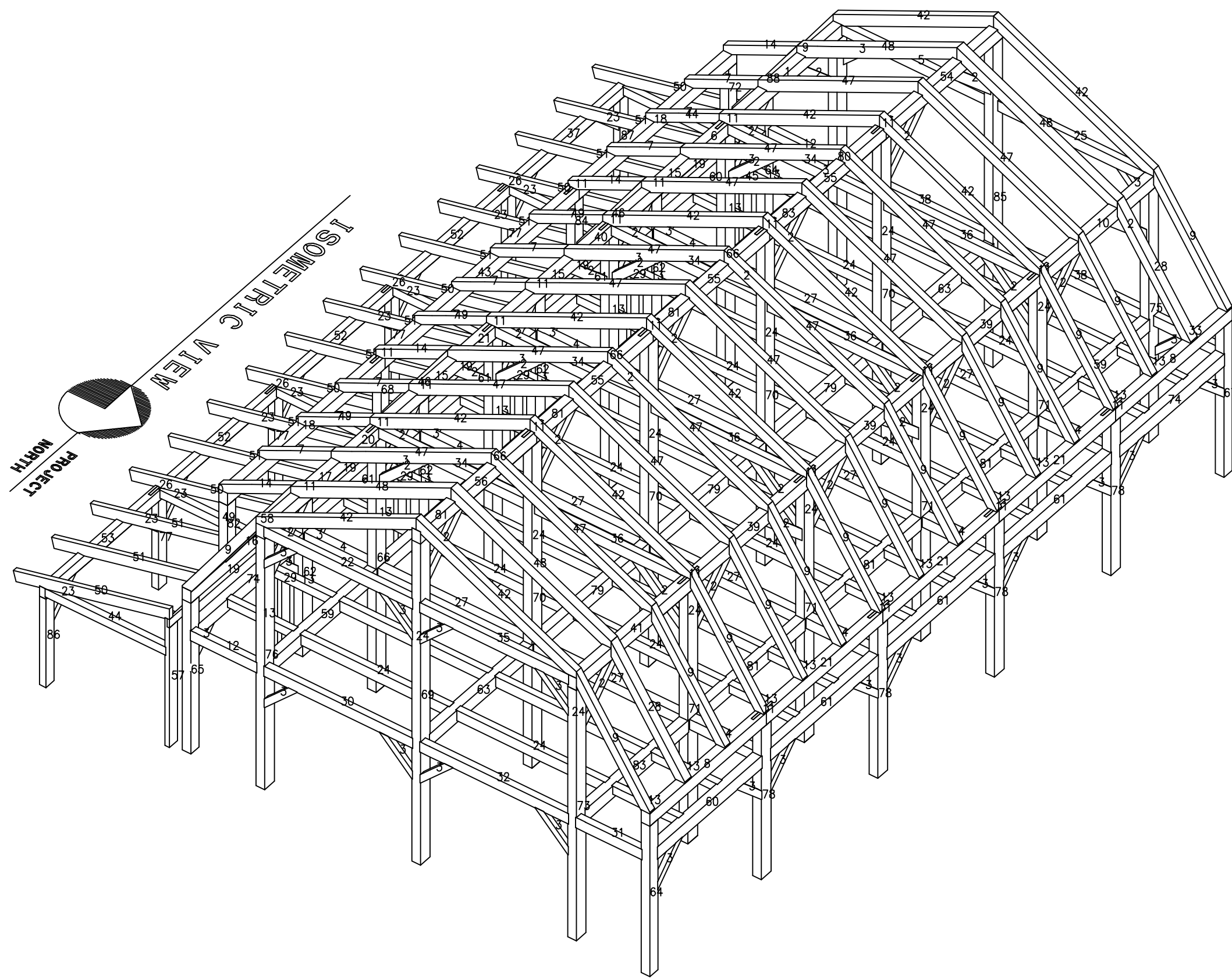


ISOMETRIC VIEW
PROJECT NORTH

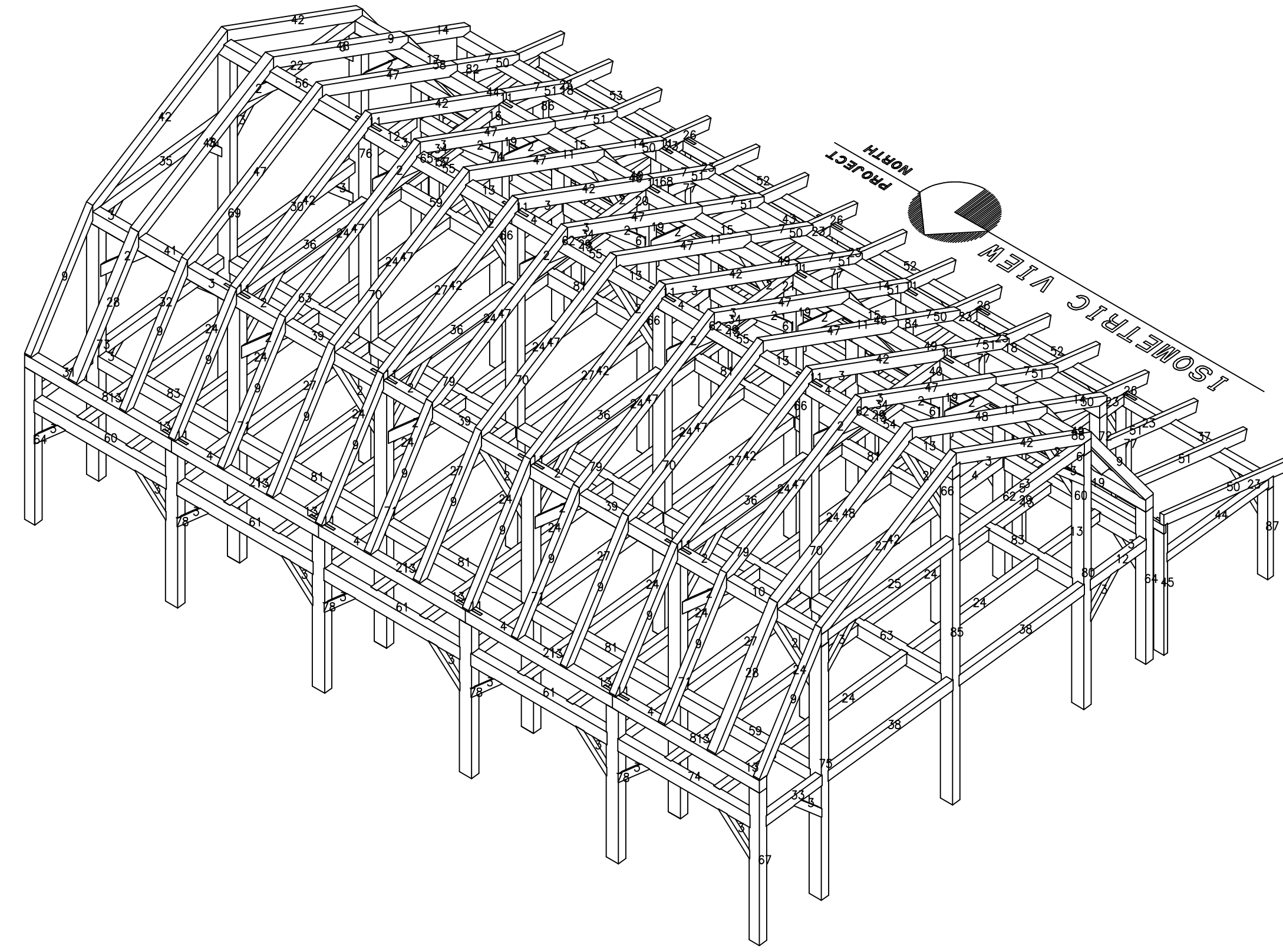
HANCOCK BARN
THOMPSON, CT



ISOMETRIC VIEW
PROJECT NORTH



ISOMETRIC VIEW
PROJECT NORTH



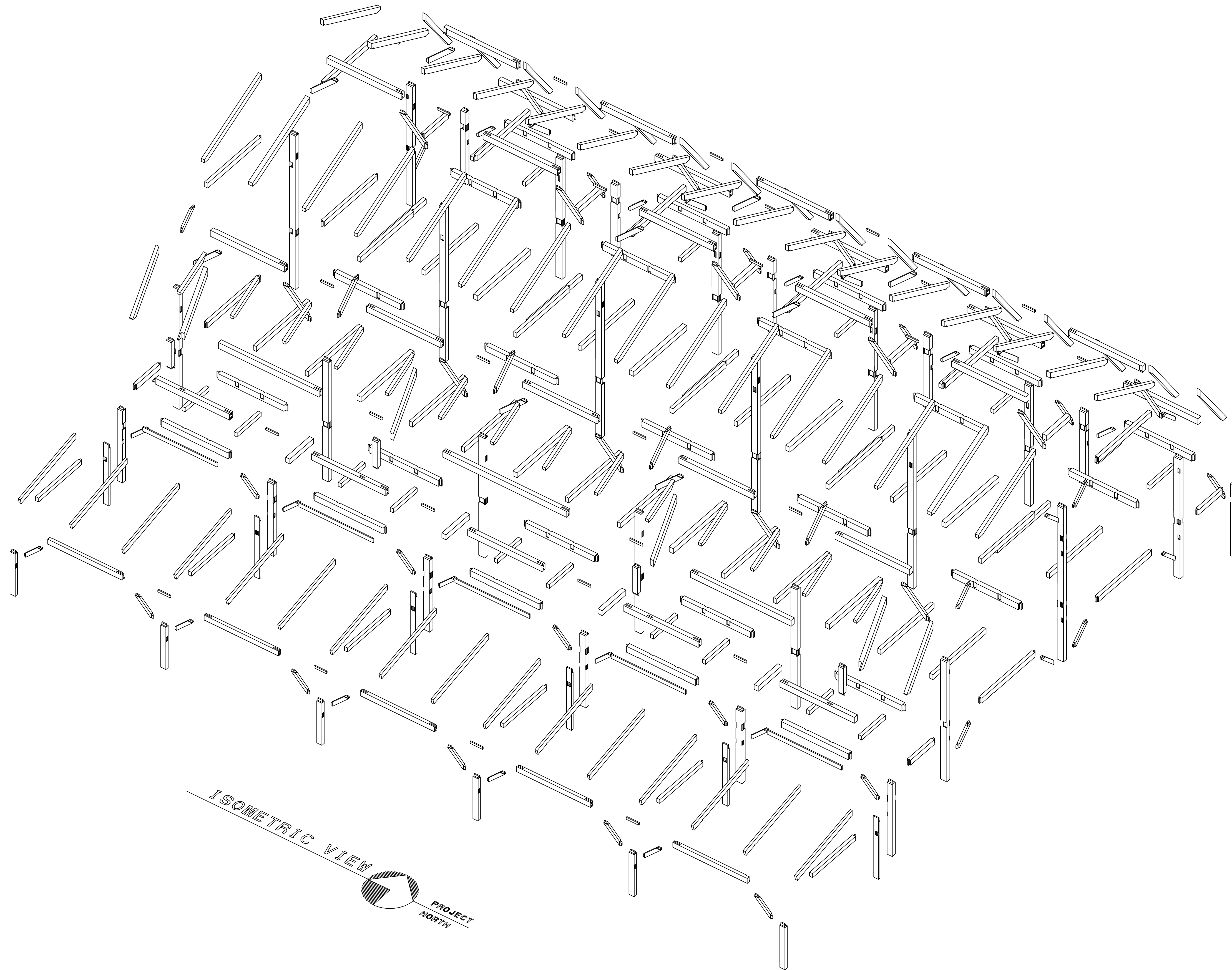
ISOMETRIC VIEW
PROJECT NORTH

COPYRIGHT LAWS PROHIBIT REPRODUCTION OR USE OF THIS DRAWING, IN WHOLE OR IN PART, WITHOUT THE EXPRESSED WRITTEN PERMISSION OF DW TIMBER FRAME DESIGN

DO NOT SCALE DIMENSIONS ON THESE DRAWINGS. THESE IMAGES ARE MACHINE REPRODUCTIONS AND MAY CONTAIN A MARGIN OF ERROR.

DW TIMBER FRAME DESIGN

CUSTOMER: HANCOCK	DRAWN BY: DEW	DRAWING NUMBER: ISO
DRAWING: ISOMETRIC VIEW	REVISIONS:	
SCALE: NOT TO SCALE DATE: 2/4/20	PROJECT NUMBER:	



COPYRIGHT LAWS PROHIBIT REPRODUCTION OR USE OF THIS DRAWING, IN WHOLE OR IN PART, WITHOUT THE EXPRESSED WRITTEN PERMISSION OF DW TIMBER FRAME DESIGN

DO NOT SCALE DIMENSIONS ON THESE DRAWINGS. THESE IMAGES ARE MACHINE REPRODUCTIONS AND MAY CONTAIN A MARGIN OF ERROR.

DW TIMBER FRAME DESIGN

CUSTOMER: HANCOCK

DRAWN BY: DEW

DRAWING NUMBER:

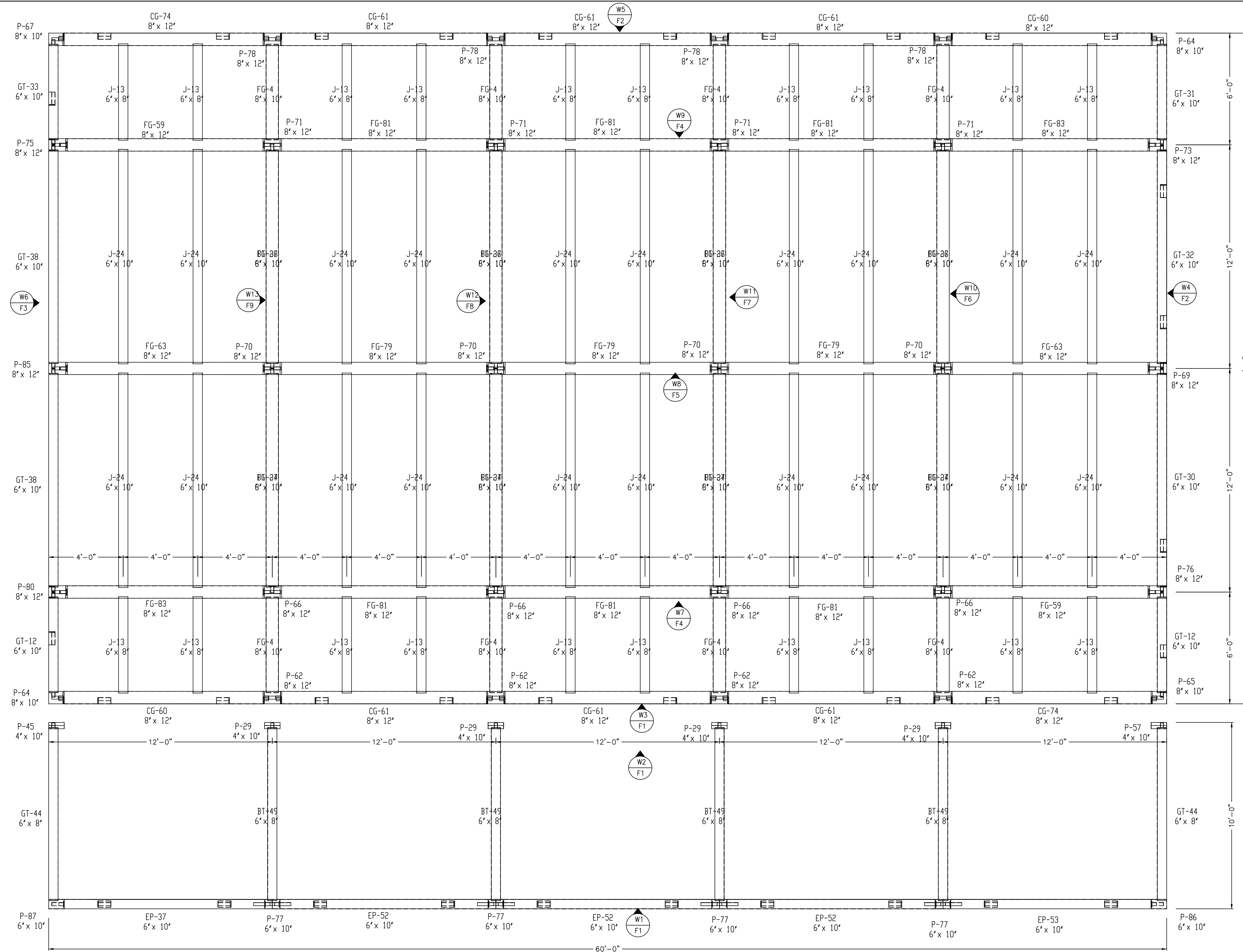
DRAWING: ISOMETRIC VIEW

REVISIONS:

XISO

SCALE: NOT TO SCALE DATE: 2/4/20

PROJECT NUMBER:



- BT = BAY TIE
- CT = COLLAR TIE
- CG = CONNECTING GIRT
- EG = EAVE GIRT
- EP = EAVE PLATE
- FG = FLOOR GIRT
- GT = GABLE TIE
- HB = HAMMER BEAM
- HP = HAMMER POST
- HR = HIP RAFTER
- J = JOIST
- LDC = LEDGER
- KPO = KING POST
- P = POST
- PR = PORCH RAFTER
- PT = PURLIN TIE
- PN = BENT PURLIN
- PLN = PRINCIPLE PURLIN
- R = RAFTER
- RB = RIDGE BEAM
- RPN = RIDGE PURLIN
- S = SILL PLATE
- CB = CENTER BRACE
- B = KNEE BRACE
- VR = VALLEY RAFTER

ALL FRAME MEMBERS ARE OF EASTERN WHITE PINE #2 OR BETTER
(SUBSTITUTE SPECIES WILL BE NOTED)

POST PLAN & WALL KEY PROJECT NORTH

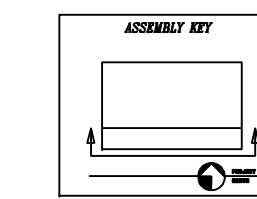
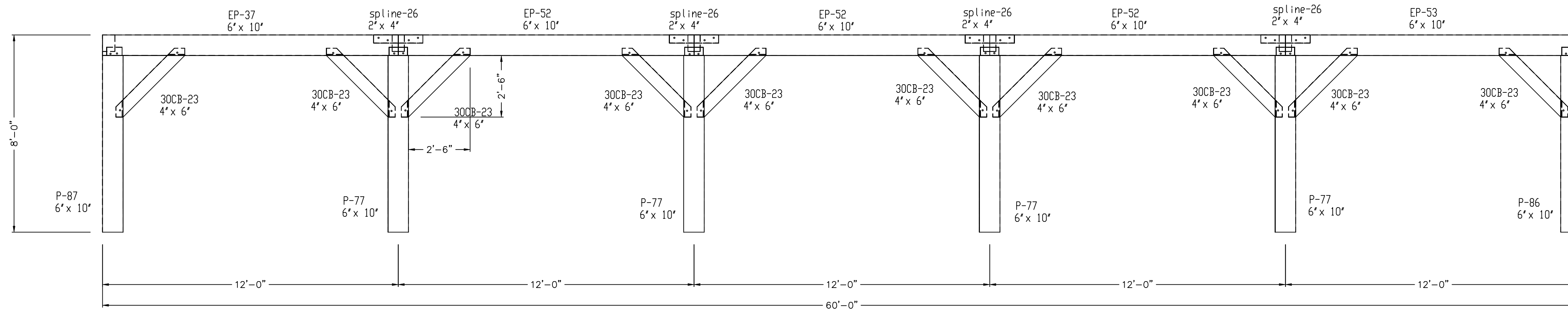
NOTE: ALL FRAME WALLS ARE VIEWED FROM OUTSIDE UNLESS NOTED OTHERWISE

COPYRIGHT LAWS PROHIBIT REPRODUCTION OR USE OF THIS DRAWING, IN WHOLE OR IN PART, WITHOUT THE EXPRESSED WRITTEN PERMISSION OF DW TIMBER FRAME DESIGN

DO NOT SCALE DIMENSIONS ON THESE DRAWINGS. THESE IMAGES ARE MACHINE REPRODUCTIONS AND MAY CONTAIN A MARGIN OF ERROR.

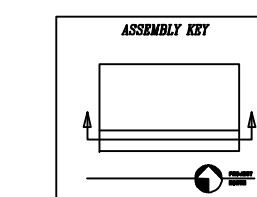
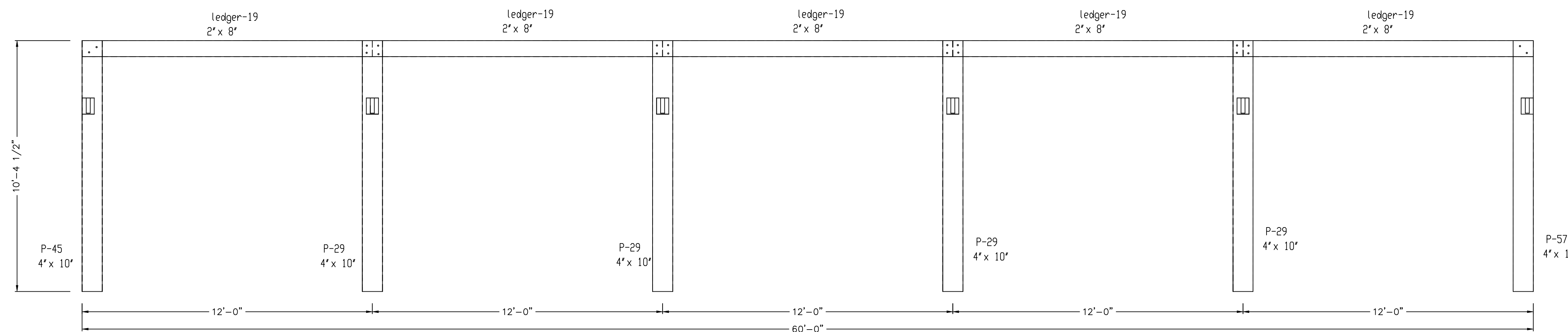
DW TIMBER FRAME DESIGN

CUSTOMER: HANCOCK	DRAWN BY: DEW	DRAWING NUMBER: <i>PP</i>
DRAWING: POST PLAN, WALL KEY	REVISIONS:	
SCALE: 3/8" = 1' - 0"	DATE: 2/4/20	

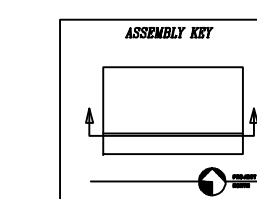
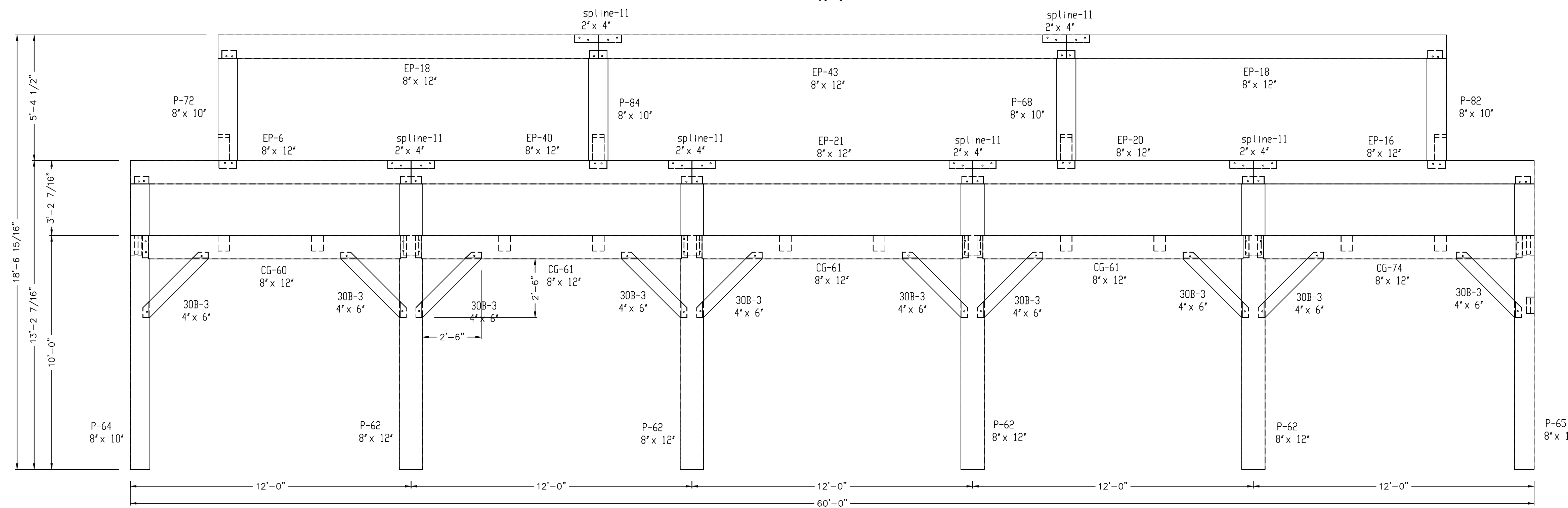


PORCH WALL 1
SOUTH ELEVATION

- BT = BAY TIE
- CT = COLLAR TIE
- CG = CONNECTING GIRT
- EG = EAVE GIRT
- EP = EAVE PLATE
- FG = FLOOR GIRT
- GT = GABLE TIE
- HB = HAMMER BEAM
- HP = HAMMER POST
- HR = HIP RAFTER
- J = JOIST
- LDC = LEDGER
- KPO = KING POST
- P = POST
- PR = PORCH RAFTER
- PT = PURLIN TIE
- PN = BENT PURLIN
- PLN = PRINCIPLE PURLIN
- R = RAFTER
- RB = RIDGE BEAM
- RPN = RIDGE PURLIN
- S = SILL PLATE
- CB = CENTER BRACE
- B = KNEE BRACE
- VR = VALLEY RAFTER



PORCH WALL 2
VIEWED FROM SOUTH



WALL 3
VIEWED FROM SOUTH

ALL FRAME MEMBERS ARE OF EASTERN WHITE PINE #2 OR BETTER
(SUBSTITUTE SPECIES WILL BE NOTED)

NOTE: ALL FRAME WALLS ARE VIEWED FROM
OUTSIDE UNLESS NOTED OTHERWISE

COPYRIGHT LAWS PROHIBIT REPRODUCTION OR USE OF THIS DRAWING,
IN WHOLE OR IN PART, WITHOUT THE EXPRESSED WRITTEN PERMISSION
OF DW TIMBER FRAME DESIGN

DO NOT SCALE DIMENSIONS ON THESE
DRAWINGS. THESE IMAGES ARE
MACHINE REPRODUCTIONS AND MAY
CONTAIN A MARGIN OF ERROR.

DW TIMBER FRAME DESIGN

CUSTOMER: HANCOCK

DRAWN BY: DEW

DRAWING NUMBER:

DRAWING: WALL 1, 2, 3

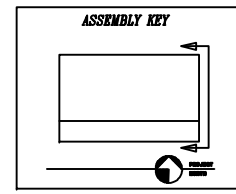
REVISIONS:

F1

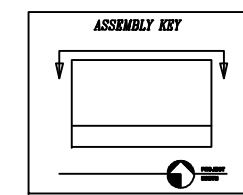
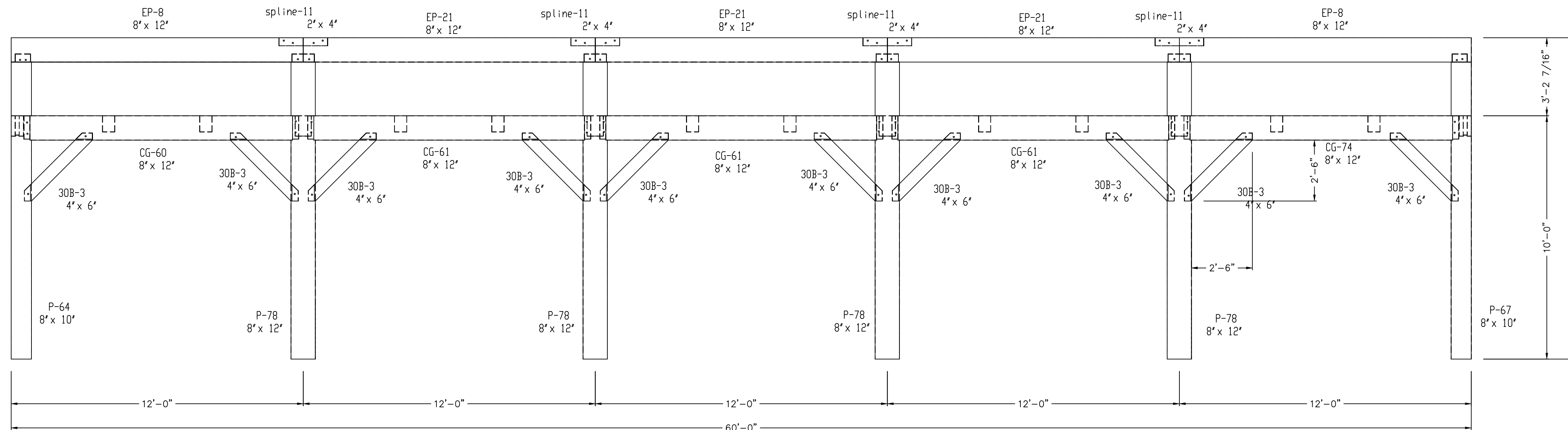
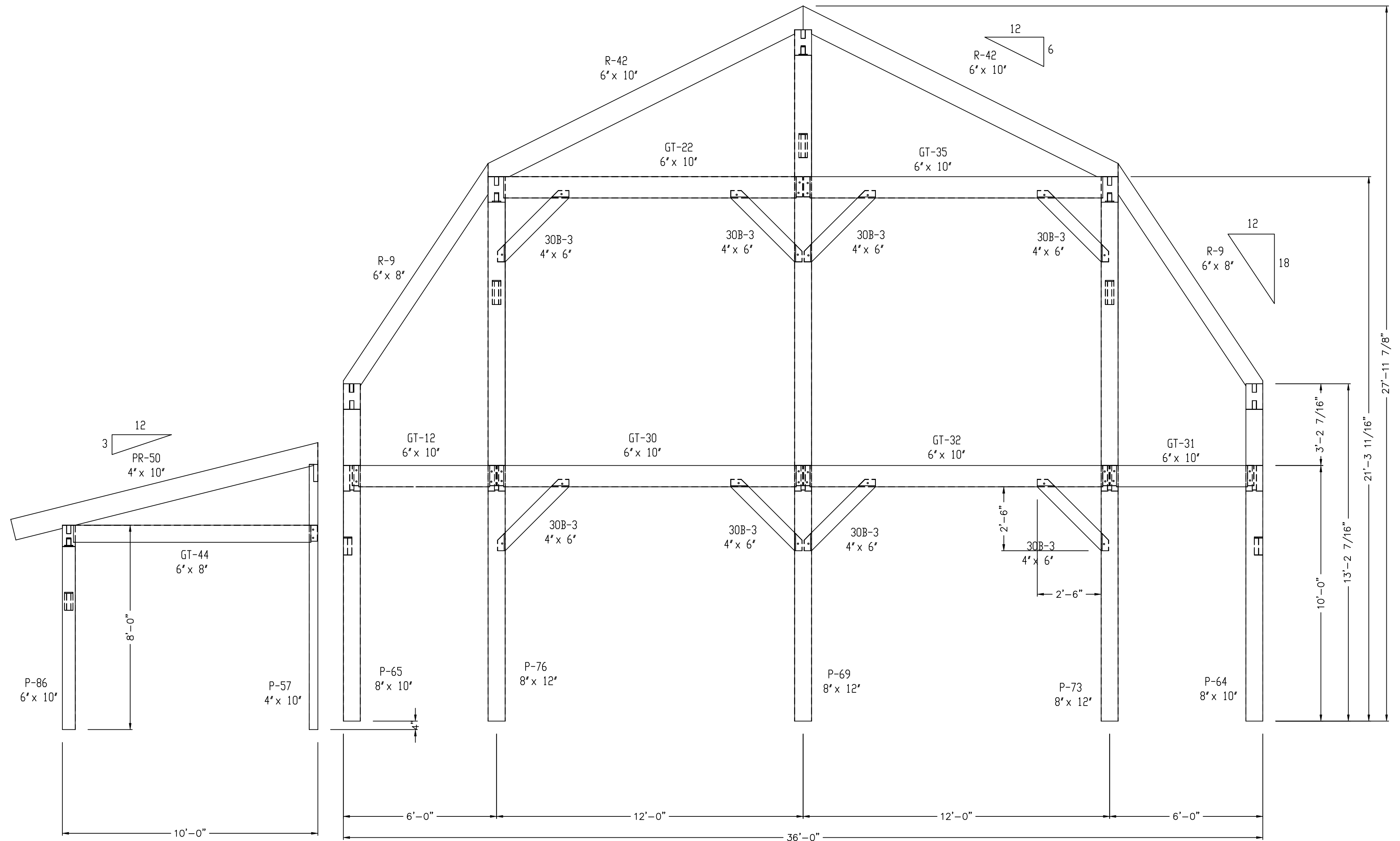
SCALE: 3/8" = 1' - 0" DATE: 2/4/20

PROJECT NUMBER:

- BT = BAY TIE
- CT = COLLAR TIE
- CG = CONNECTING GIRT
- EC = EAVE CIRT
- EP = EAVE PLATE
- FC = FLOOR CIRT
- GT = GABLE TIE
- HB = HAMMER BEAM
- HP = HAMMER POST
- HR = HIP RAFTER
- J = JOIST
- LDC = LEDGER
- KPO = KING POST
- P = POST
- PR = PORCH RAFTER
- PT = PURLIN TIE
- PN = BENT PURLIN
- PLN = PRINCIPLE PURLIN
- R = RAFTER
- RB = RIDGE BEAM
- RPN = RIDGE PURLIN
- S = SILL PLATE
- CB = CENTER BRACE
- B = KNEE BRACE
- VR = VALLEY RAFTER



**WALL 4
EAST ELEVATION**



**WALL 5
NORTH ELEVATION**

ALL FRAME MEMBERS ARE OF EASTERN WHITE PINE #2 OR BETTER
(SUBSTITUTE SPECIES WILL BE NOTED)

NOTE: ALL FRAME WALLS ARE VIEWED FROM
OUTSIDE UNLESS NOTED OTHERWISE

COPYRIGHT LAWS PROHIBIT REPRODUCTION OR USE OF THIS DRAWING,
IN WHOLE OR IN PART, WITHOUT THE EXPRESSED WRITTEN PERMISSION
OF DW TIMBER FRAME DESIGN

DO NOT SCALE DIMENSIONS ON THESE
DRAWINGS. THESE IMAGES ARE
MACHINE REPRODUCTIONS AND MAY
CONTAIN A MARGIN OF ERROR.

DW TIMBER FRAME DESIGN

CUSTOMER: HANCOCK

DRAWN BY: DEW

DRAWING
NUMBER:

DRAWING: WALL 4, 5

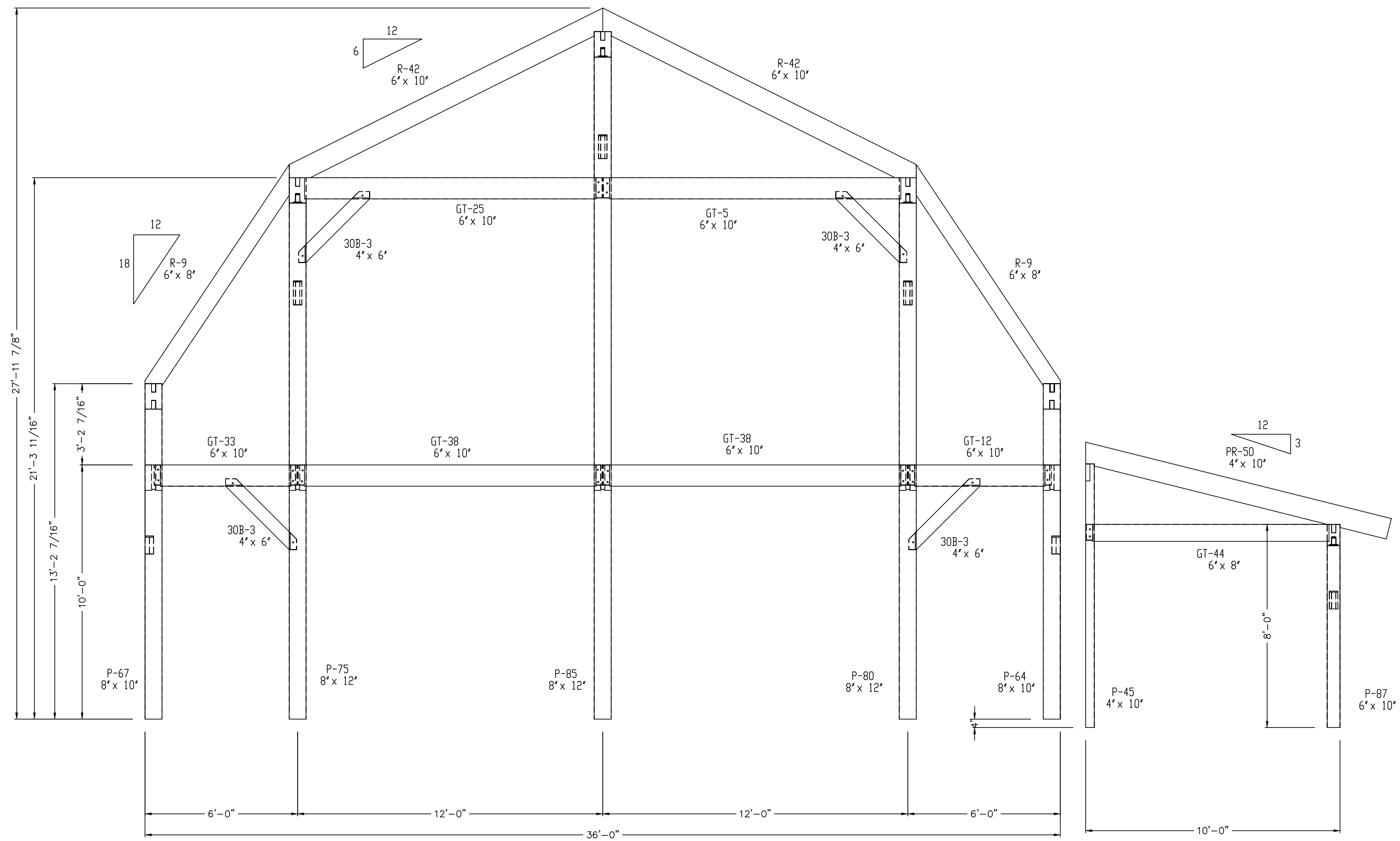
REVISIONS:

F2

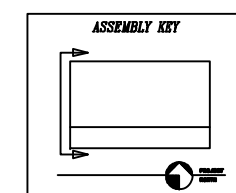
SCALE: 3/8" = 1' - 0" DATE: 2/4/20

PROJECT NUMBER:

- BT = BAY TIE
- CT = COLLAR TIE
- CG = CONNECTING GIRT
- EG = EAVE GIRT
- EP = EAVE PLATE
- FG = FLOOR GIRT
- GT = GABLE TIE
- HB = HAMMER BEAM
- HP = HAMMER POST
- HR = HIP RAFTER
- J = JOIST
- LDC = LEDGER
- KPO = KING POST
- P = POST
- PR = PORCH RAFTER
- PT = PURLIN TIE
- PN = BENT PURLIN
- PLN = PRINCIPLE PURLIN
- R = RAFTER
- RB = RIDGE BEAM
- RPN = RIDGE PURLIN
- S = SILL PLATE
- CB = CENTER BRACE
- B = KNEE BRACE
- VR = VALLEY RAFTER



WALL 6
WEST ELEVATION



ALL FRAME MEMBERS ARE OF EASTERN WHITE PINE #2 OR BETTER
(SUBSTITUTE SPECIES WILL BE NOTED)

NOTE: ALL FRAME WALLS ARE VIEWED FROM
OUTSIDE UNLESS NOTED OTHERWISE

COPYRIGHT LAWS PROHIBIT REPRODUCTION OR USE OF THIS DRAWING,
IN WHOLE OR IN PART, WITHOUT THE EXPRESSED WRITTEN PERMISSION
OF DW TIMBER FRAME DESIGN

DO NOT SCALE DIMENSIONS ON THESE
DRAWINGS. THESE IMAGES ARE
MACHINE REPRODUCTIONS AND MAY
CONTAIN A MARGIN OF ERROR.

DW TIMBER FRAME DESIGN

CUSTOMER: HANCOCK

DRAWN BY: DEW

DRAWING
NUMBER:

DRAWING: WALL 6

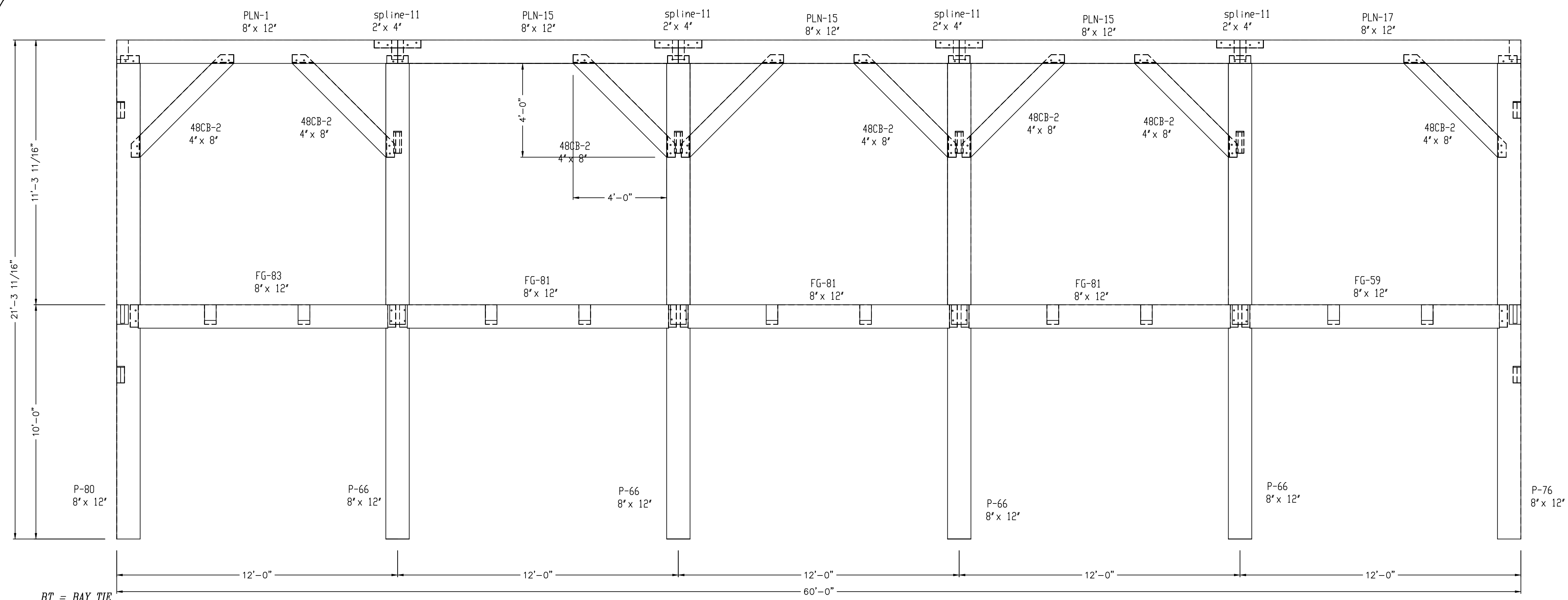
REVISIONS:

F3

SCALE: 3/8" = 1' - 0"

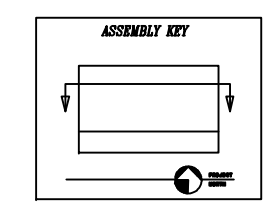
DATE: 2/4/20

PROJECT NUMBER:

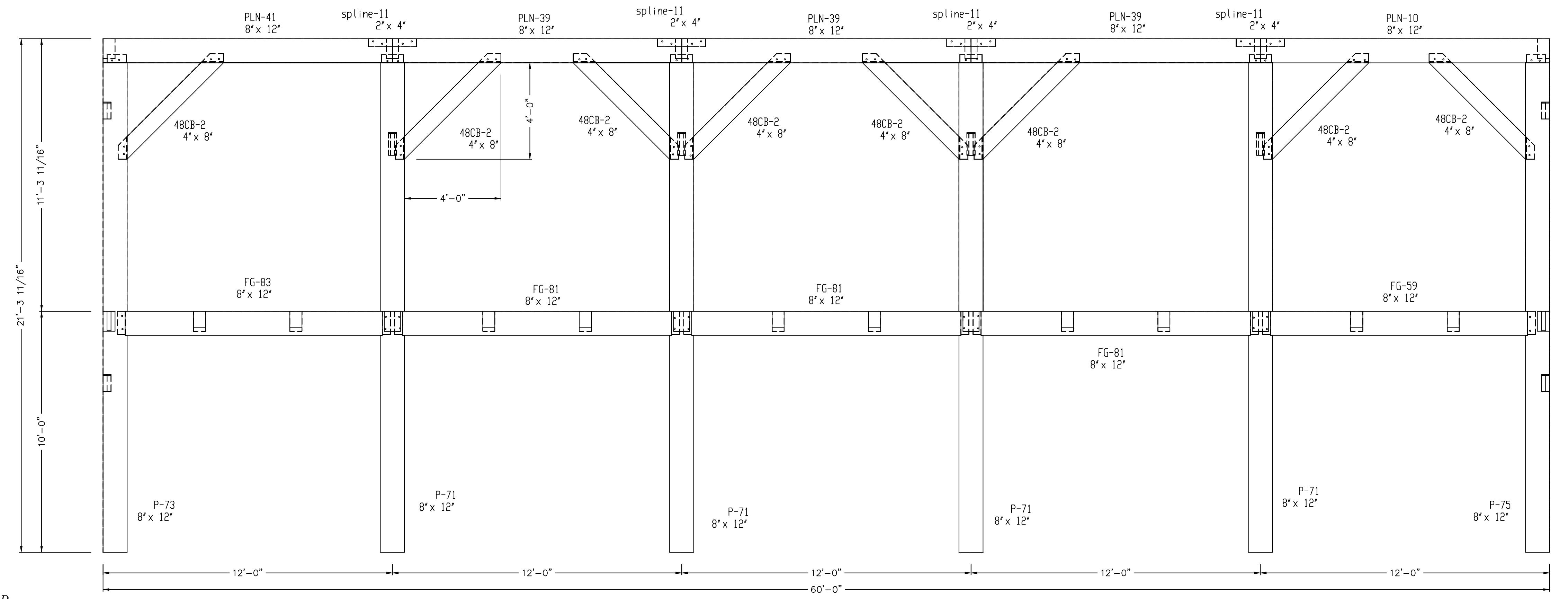


*SOUTH PURLIN WALL 7
VIEWED FROM SOUTH*

- BT = BAY TIE
- CT = COLLAR TIE
- CC = CONNECTING GIRT
- EC = EAVE GIRT
- EP = EAVE PLATE
- FG = FLOOR GIRT
- CT = CABLE TIE
- HB = HAMMER BEAM
- HP = HAMMER POST
- HR = HIP RAFTER
- J = JOIST
- LDC = LEDGER
- KPO = KING POST
- P = POST
- PR = PORCH RAFTER
- PT = PURLIN TIE
- PN = BENT PURLIN
- PLN = PRINCIPLE PURLIN
- R = RAFTER
- RB = RIDGE BEAM
- RPN = RIDGE PURLIN
- S = SILL PLATE
- CB = CENTER BRACE
- B = KNEE BRACE
- VR = VALLEY RAFTER



*NORTH PURLIN WALL 9
VIEWED FROM NORTH*



NOTE: ALL FRAME WALLS ARE VIEWED FROM OUTSIDE UNLESS NOTED OTHERWISE

ALL FRAME MEMBERS ARE OF EASTERN WHITE PINE #2 OR BETTER
(SUBSTITUTE SPECIES WILL BE NOTED)

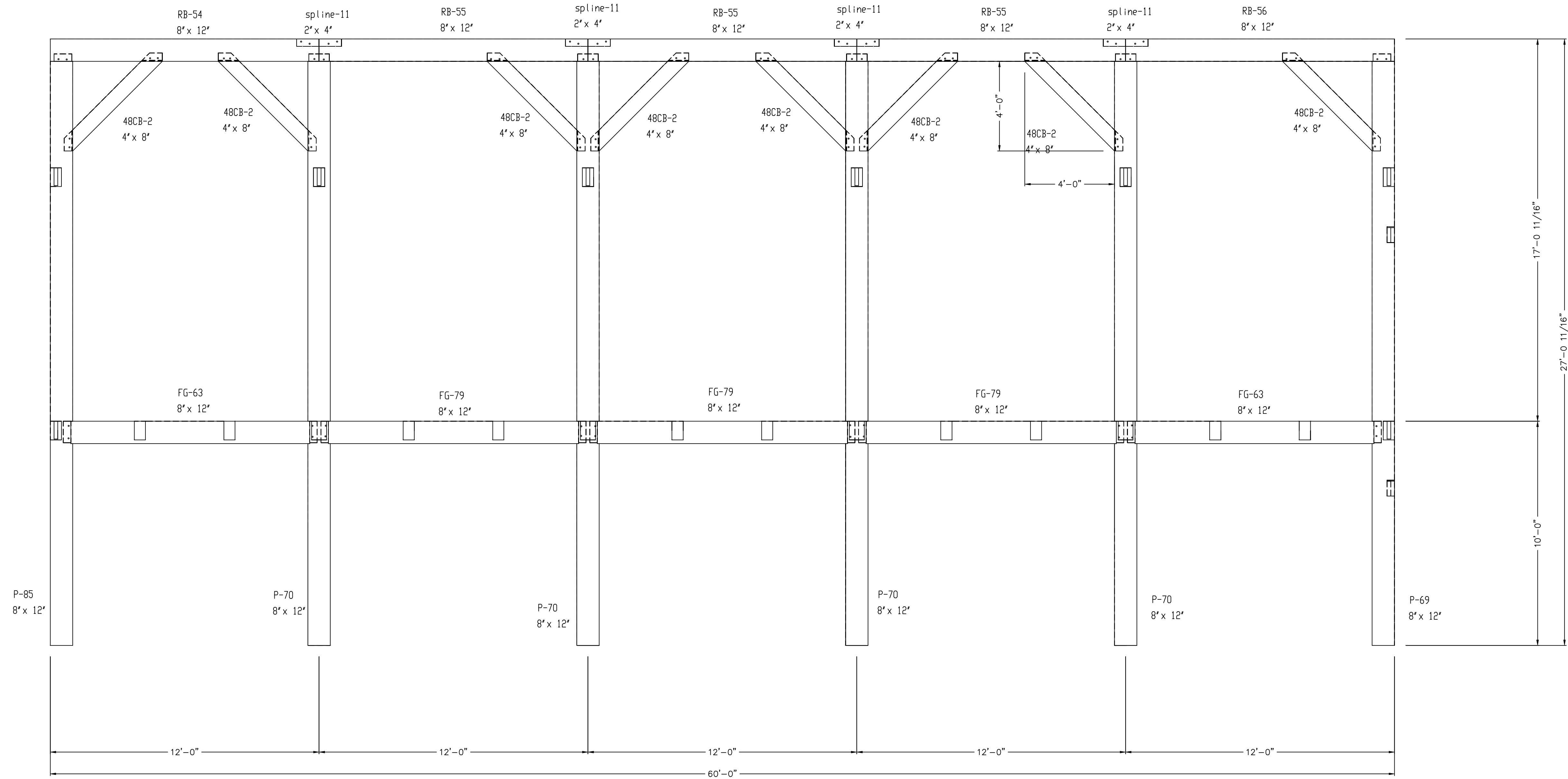
COPYRIGHT LAWS PROHIBIT REPRODUCTION OR USE OF THIS DRAWING, IN WHOLE OR IN PART, WITHOUT THE EXPRESSED WRITTEN PERMISSION OF DW TIMBER FRAME DESIGN

DO NOT SCALE DIMENSIONS ON THESE DRAWINGS. THESE IMAGES ARE MACHINE REPRODUCTIONS AND MAY CONTAIN A MARGIN OF ERROR.

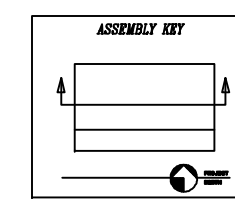
DW TIMBER FRAME DESIGN

CUSTOMER: HANCOCK	DRAWN BY: DEW	DRAWING NUMBER:
DRAWING: WALL 7, 9	REVISIONS:	F4
SCALE: 3/8" = 1' - 0"	DATE: 2/4/20	

- BT = BAY TIE
- CT = COLLAR TIE
- CC = CONNECTING GIRT
- EC = EAVE GIRT
- EP = EAVE PLATE
- FC = FLOOR GIRT
- GT = CABLE TIE
- HB = HAMMER BEAM
- HP = HAMMER POST
- HR = HIP RAFTER
- J = JOIST
- LDG = LEDGER
- KPO = KING POST
- P = POST
- PR = PORCH RAFTER
- PT = PURLIN TIE
- PN = BENT PURLIN
- PLN = PRINCIPLE PURLIN
- R = RAFTER
- RB = RIDGE BEAM
- RPN = RIDGE PURLIN
- S = SILL PLATE
- CB = CENTER BRACE
- B = KNEE BRACE
- VR = VALLEY RAFTER



WALL 8
RIDGE BEAM
VIEWED FROM SOUTH



ALL FRAME MEMBERS ARE OF EASTERN WHITE PINE #2 OR BETTER
(SUBSTITUTE SPECIES WILL BE NOTED)

NOTE: ALL FRAME WALLS ARE VIEWED FROM
OUTSIDE UNLESS NOTED OTHERWISE

COPYRIGHT LAWS PROHIBIT REPRODUCTION OR USE OF THIS DRAWING,
IN WHOLE OR IN PART, WITHOUT THE EXPRESSED WRITTEN PERMISSION
OF DW TIMBER FRAME DESIGN

DO NOT SCALE DIMENSIONS ON THESE
DRAWINGS. THESE IMAGES ARE
MACHINE REPRODUCTIONS AND MAY
CONTAIN A MARGIN OF ERROR.

DW TIMBER FRAME DESIGN

CUSTOMER: HANCOCK

DRAWN BY: DEW

DRAWING
NUMBER:

DRAWING: WALL 8

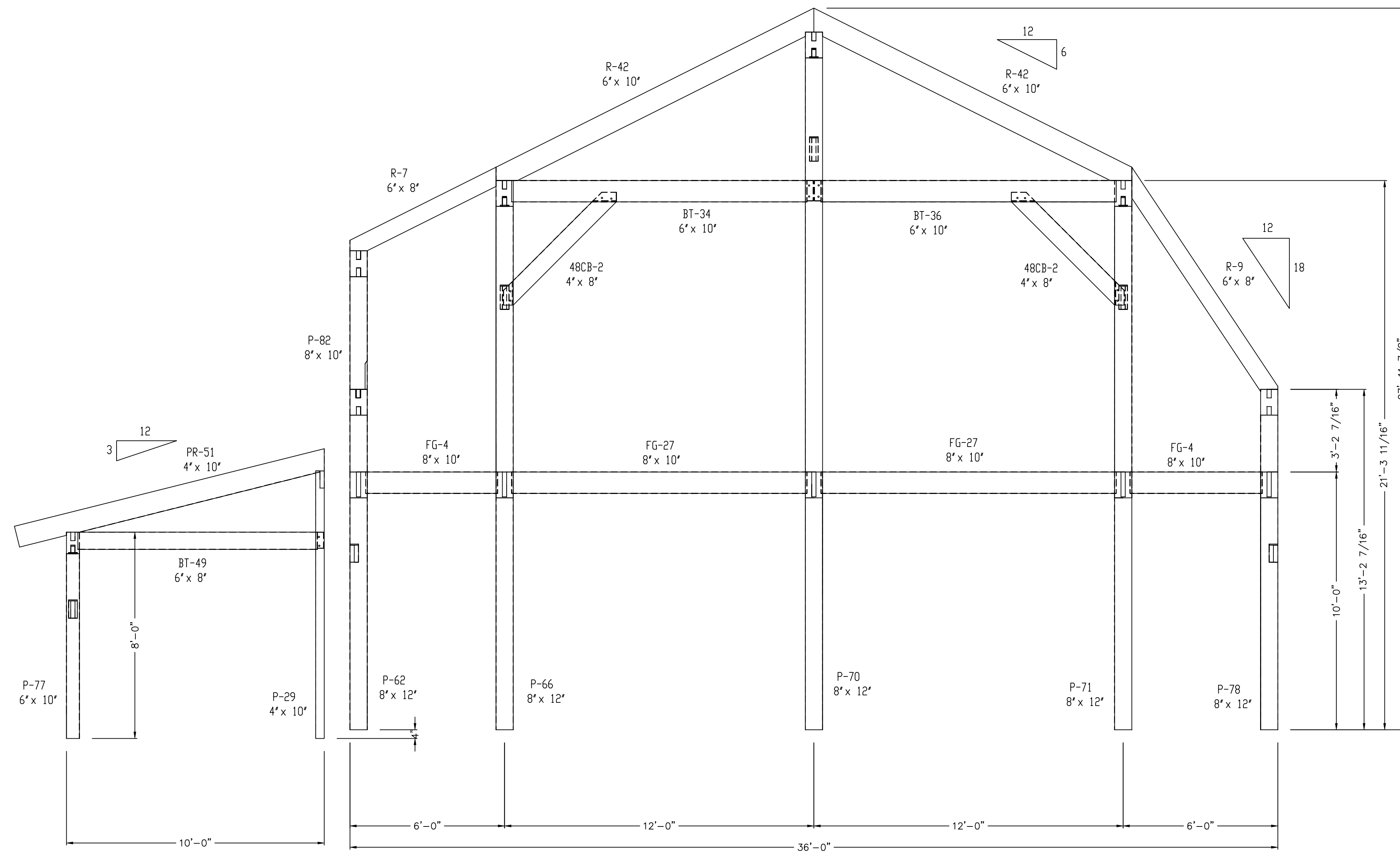
REVISIONS:

F5

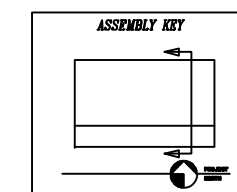
SCALE: 3/8" = 1' - 0" DATE: 2/4/20

PROJECT NUMBER:

- BT = BAY TIE
- CT = COLLAR TIE
- CC = CONNECTING GIRT
- EG = EAVE GIRT
- EP = EAVE PLATE
- FC = FLOOR GIRT
- CT = CABLE TIE
- HB = HAMMER BEAM
- HP = HAMMER POST
- HR = HIP RAFTER
- J = JOIST
- LDC = LEDGER
- KPO = KING POST
- P = POST
- PR = PORCH RAFTER
- PT = PURLIN TIE
- PN = BENT PURLIN
- PLN = PRINCIPLE PURLIN
- R = RAFTER
- RB = RIDGE BEAM
- RPN = RIDGE PURLIN
- S = SILL PLATE
- CB = CENTER BRACE
- B = KNEE BRACE
- VR = VALLEY RAFTER



WALL 10
VIEWED FROM EAST



ALL FRAME MEMBERS ARE OF EASTERN WHITE PINE #2 OR BETTER
(SUBSTITUTE SPECIES WILL BE NOTED)

NOTE: ALL FRAME WALLS ARE VIEWED FROM
OUTSIDE UNLESS NOTED OTHERWISE

COPYRIGHT LAWS PROHIBIT REPRODUCTION OR USE OF THIS DRAWING,
IN WHOLE OR IN PART, WITHOUT THE EXPRESSED WRITTEN PERMISSION
OF DW TIMBER FRAME DESIGN

DO NOT SCALE DIMENSIONS ON THESE
DRAWINGS. THESE IMAGES ARE
MACHINE REPRODUCTIONS AND MAY
CONTAIN A MARGIN OF ERROR.

DW TIMBER FRAME DESIGN

CUSTOMER: HANCOCK

DRAWN BY: DEW

DRAWING
NUMBER:

DRAWING: WALL 10

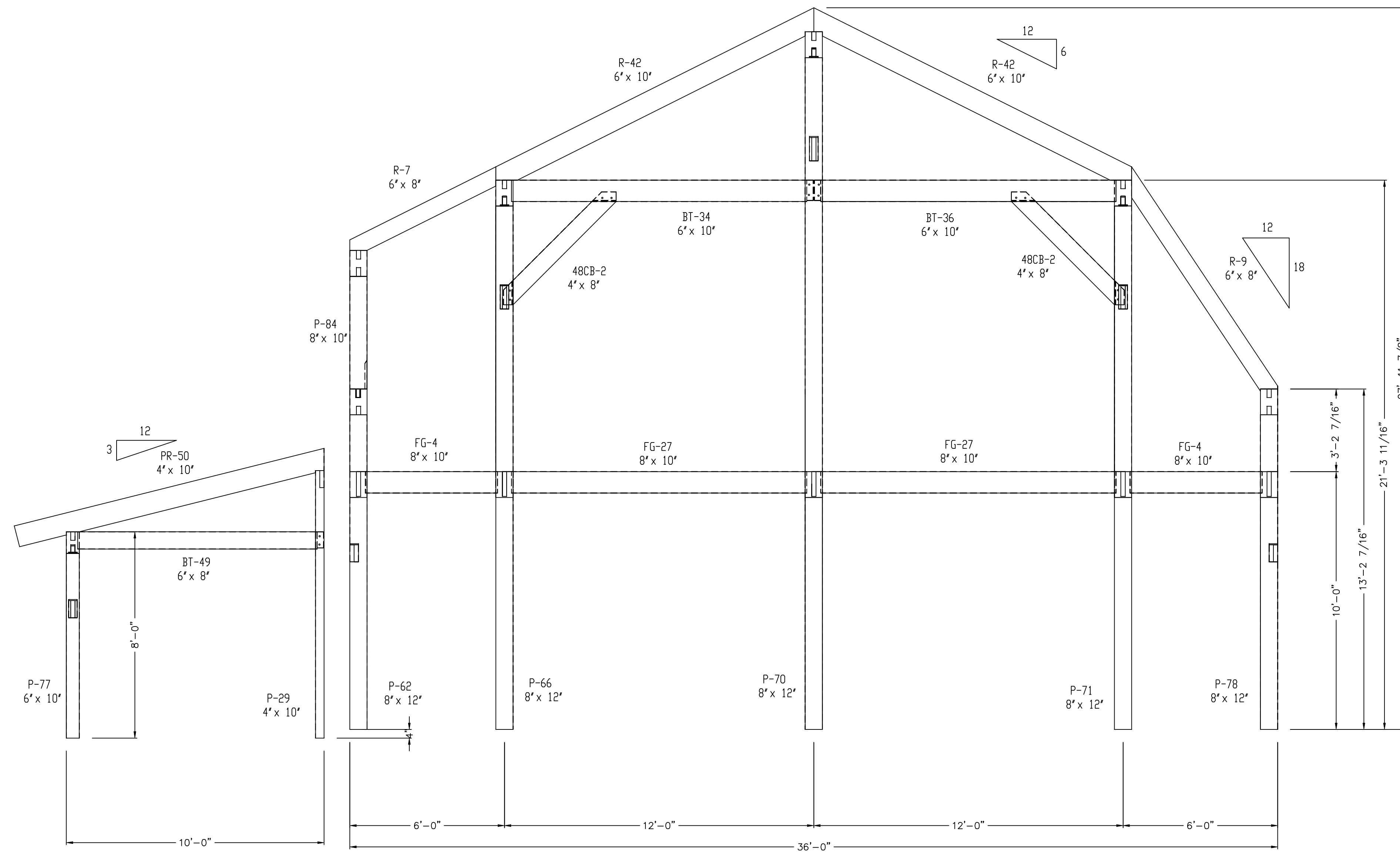
REVISIONS:

F6

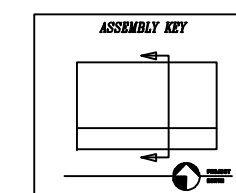
SCALE: 3/8" = 1' - 0" DATE: 2/4/20

PROJECT NUMBER:

- BT = BAY TIE
- CT = COLLAR TIE
- CC = CONNECTING GIRT
- EC = EAVE GIRT
- EP = EAVE PLATE
- FC = FLOOR GIRT
- CT = CABLE TIE
- HB = HAMMER BEAM
- HP = HAMMER POST
- HR = HIP RAFTER
- J = JOIST
- LDC = LEDGER
- KPO = KING POST
- P = POST
- PR = PORCH RAFTER
- PT = PURLIN TIE
- PN = BENT PURLIN
- PLN = PRINCIPLE PURLIN
- R = RAFTER
- RB = RIDGE BEAM
- RPN = RIDGE PURLIN
- S = SILL PLATE
- CB = CENTER BRACE
- B = KNEE BRACE
- VR = VALLEY RAFTER



WALL 11
VIEWED FROM EAST



ALL FRAME MEMBERS ARE OF EASTERN WHITE PINE #2 OR BETTER
(SUBSTITUTE SPECIES WILL BE NOTED)

NOTE: ALL FRAME WALLS ARE VIEWED FROM
OUTSIDE UNLESS NOTED OTHERWISE

COPYRIGHT LAWS PROHIBIT REPRODUCTION OR USE OF THIS DRAWING,
IN WHOLE OR IN PART, WITHOUT THE EXPRESSED WRITTEN PERMISSION
OF DW TIMBER FRAME DESIGN

DO NOT SCALE DIMENSIONS ON THESE
DRAWINGS. THESE IMAGES ARE
MACHINE REPRODUCTIONS AND MAY
CONTAIN A MARGIN OF ERROR.

DW TIMBER FRAME DESIGN

CUSTOMER: HANCOCK

DRAWN BY: DEW

DRAWING
NUMBER:

DRAWING: WALL 11

REVISIONS:

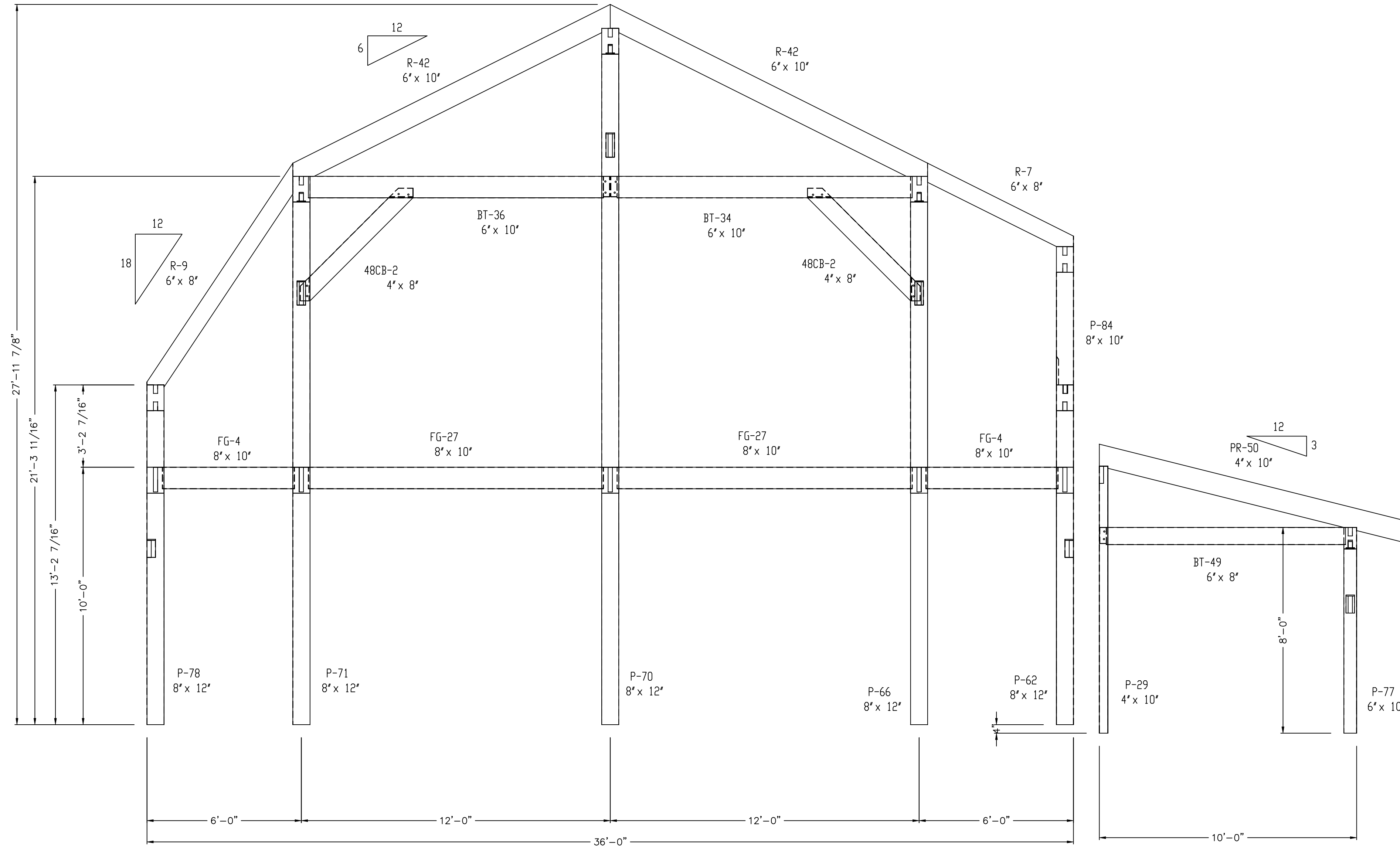
F7

SCALE: 3/8" = 1' - 0"

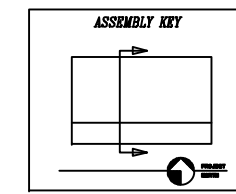
DATE: 2/4/20

PROJECT NUMBER:

- BT = BAY TIE
- CT = COLLAR TIE
- CC = CONNECTING GIRT
- EG = EAVE GIRT
- EP = EAVE PLATE
- FG = FLOOR GIRT
- CT = CABLE TIE
- HB = HAMMER BEAM
- HP = HAMMER POST
- HR = HIP RAFTER
- J = JOIST
- LDC = LEDGER
- KPO = KING POST
- P = POST
- PR = PORCH RAFTER
- PT = PURLIN TIE
- PN = BENT PURLIN
- PLN = PRINCIPLE PURLIN
- R = RAFTER
- RB = RIDGE BEAM
- RPN = RIDGE PURLIN
- S = SILL PLATE
- CB = CENTER BRACE
- B = KNEE BRACE
- VR = VALLEY RAFTER



WALL 12
VIEWED FROM WEST



ALL FRAME MEMBERS ARE OF EASTERN WHITE PINE #2 OR BETTER
(SUBSTITUTE SPECIES WILL BE NOTED)

NOTE: ALL FRAME WALLS ARE VIEWED FROM
OUTSIDE UNLESS NOTED OTHERWISE

COPYRIGHT LAWS PROHIBIT REPRODUCTION OR USE OF THIS DRAWING,
IN WHOLE OR IN PART, WITHOUT THE EXPRESSED WRITTEN PERMISSION
OF DW TIMBER FRAME DESIGN

DO NOT SCALE DIMENSIONS ON THESE
DRAWINGS. THESE IMAGES ARE
MACHINE REPRODUCTIONS AND MAY
CONTAIN A MARGIN OF ERROR.

DW TIMBER FRAME DESIGN

CUSTOMER: HANCOCK

DRAWN BY: DEW

DRAWING
NUMBER:

DRAWING: WALL 12

REVISIONS:

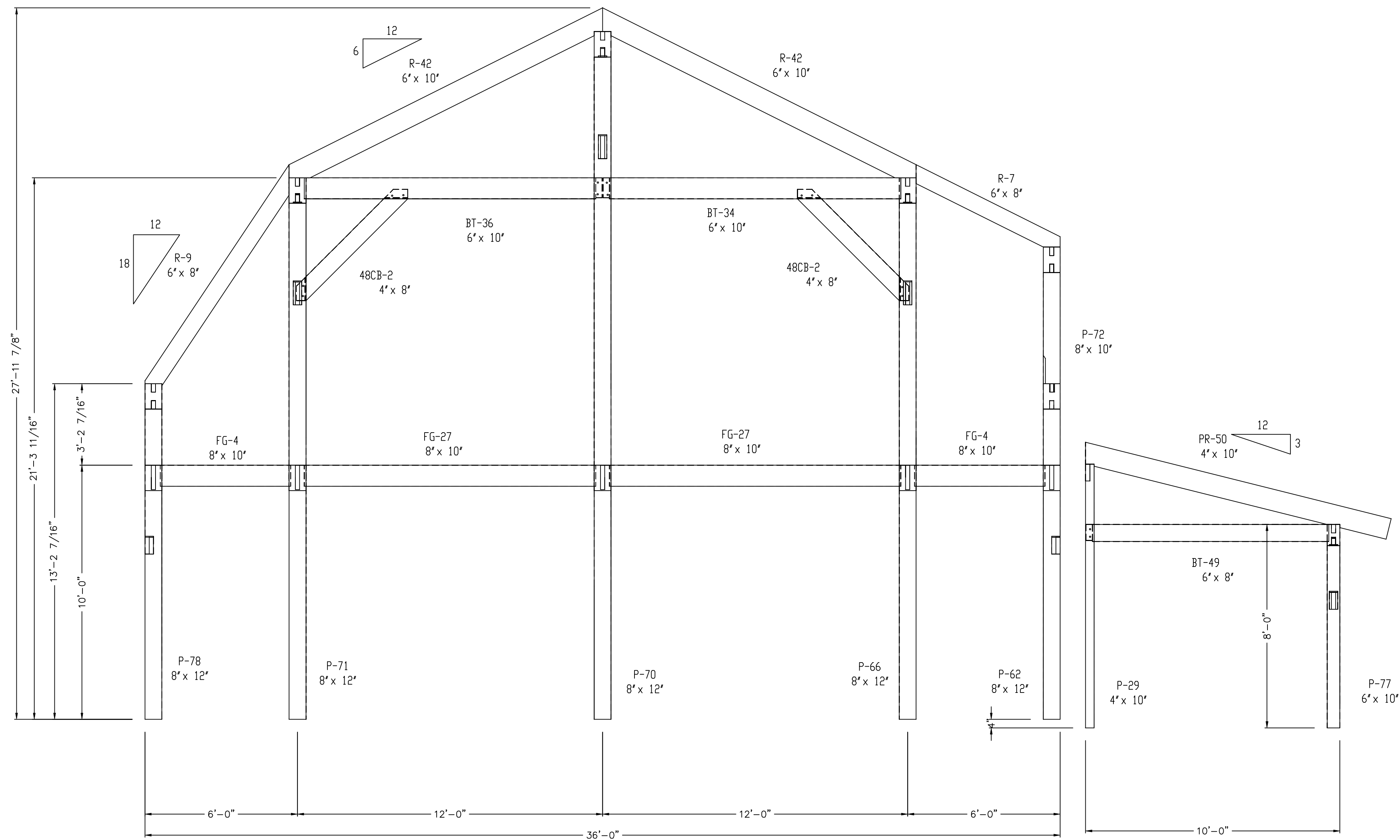
F8

SCALE: 3/8" = 1' - 0"

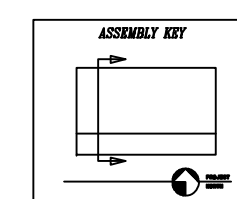
DATE: 2/4/20

PROJECT NUMBER:

- BT = BAY TIE
- CT = COLLAR TIE
- CG = CONNECTING GIRT
- EG = EAVE GIRT
- EP = EAVE PLATE
- FG = FLOOR GIRT
- CT = CABLE TIE
- HB = HAMMER BEAM
- HP = HAMMER POST
- HR = HIP RAFTER
- J = JOIST
- LDC = LEDGER
- KPO = KING POST
- P = POST
- PR = PORCH RAFTER
- PT = PURLIN TIE
- PN = BENT PURLIN
- PLN = PRINCIPLE PURLIN
- R = RAFTER
- RB = RIDGE BEAM
- RPN = RIDGE PURLIN
- S = SILL PLATE
- CB = CENTER BRACE
- B = KNEE BRACE
- VR = VALLEY RAFTER



WALL 13
VIEWED FROM WEST



ALL FRAME MEMBERS ARE OF EASTERN WHITE PINE #2 OR BETTER
(SUBSTITUTE SPECIES WILL BE NOTED)

NOTE: ALL FRAME WALLS ARE VIEWED FROM
OUTSIDE UNLESS NOTED OTHERWISE

COPYRIGHT LAWS PROHIBIT REPRODUCTION OR USE OF THIS DRAWING,
IN WHOLE OR IN PART, WITHOUT THE EXPRESSED WRITTEN PERMISSION
OF DW TIMBER FRAME DESIGN

DO NOT SCALE DIMENSIONS ON THESE
DRAWINGS. THESE IMAGES ARE
MACHINE REPRODUCTIONS AND MAY
CONTAIN A MARGIN OF ERROR.

DW TIMBER FRAME DESIGN

CUSTOMER: HANCOCK

DRAWN BY: DEW

DRAWING
NUMBER:

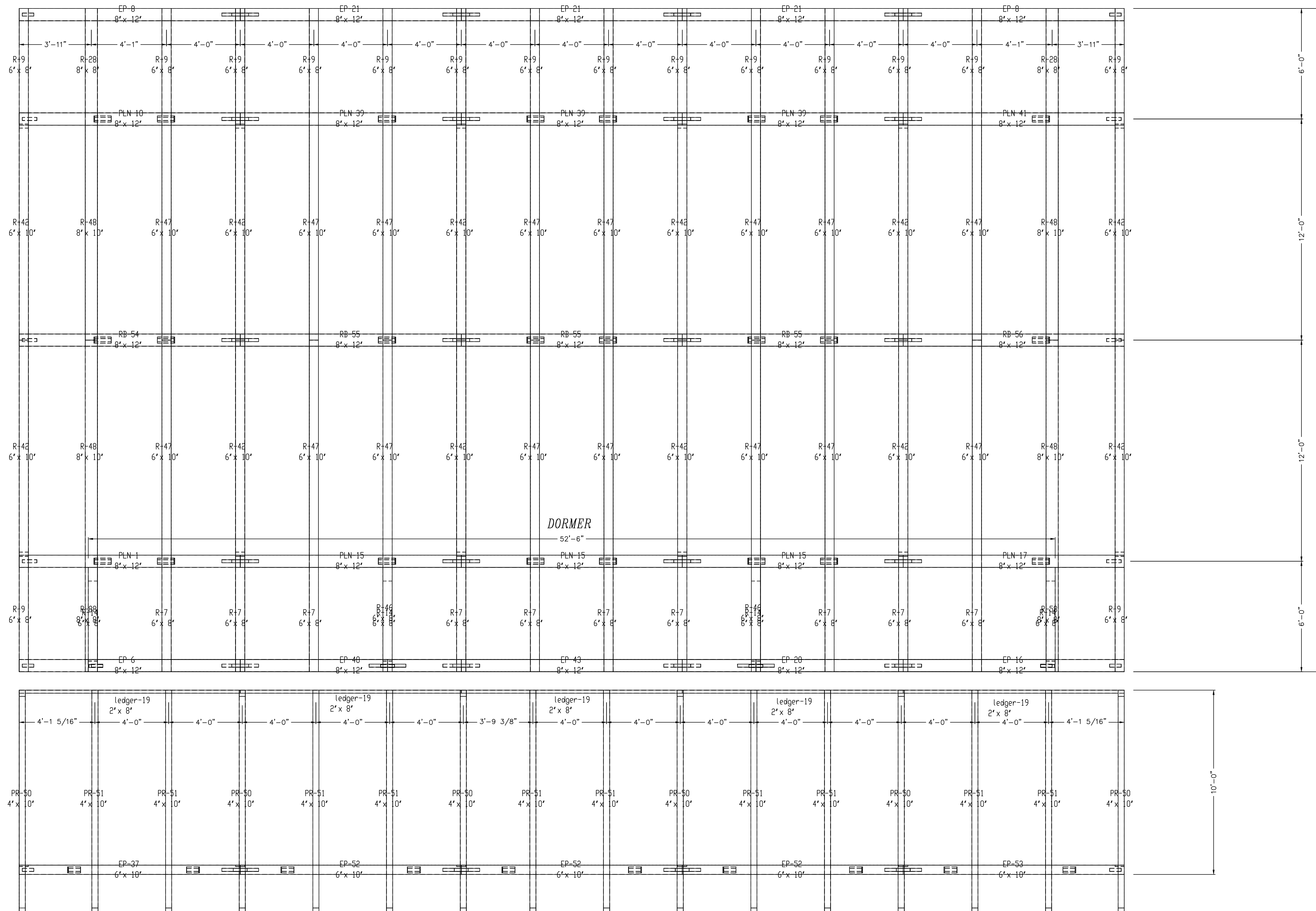
DRAWING: WALL 13

REVISIONS:

F9

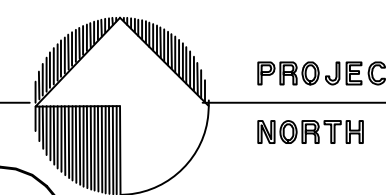
SCALE: 3/8" = 1' - 0" DATE: 2/4/20

PROJECT NUMBER:



ALL FRAME MEMBERS ARE OF EASTERN WHITE PINE #2 OR BETTER
(SUBSTITUTE SPECIES WILL BE NOTED)

ROOF SYSTEM



NOTE: ALL FRAME WALLS ARE VIEWED FROM
OUTSIDE UNLESS NOTED OTHERWISE

COPYRIGHT LAWS PROHIBIT REPRODUCTION OR USE OF THIS DRAWING,
IN WHOLE OR IN PART, WITHOUT THE EXPRESSED WRITTEN PERMISSION
OF DW TIMBER FRAME DESIGN

DO NOT SCALE DIMENSIONS ON THESE
DRAWINGS. THESE IMAGES ARE
MACHINE REPRODUCTIONS AND MAY
CONTAIN A MARGIN OF ERROR.

DW TIMBER FRAME DESIGN

CUSTOMER: HANCOCK

DRAWN BY: DEW

DRAWING
NUMBER:

DRAWING: ROOF SYSTEM

REVISIONS:

F10

SCALE: 3/8" = 1' - 0" DATE: 2/4/20

PROJECT NUMBER:

CONCRETE NOTES:

1. ALL FOUNDATION FOOTING CONCRETE TO BE 3000 PSI DESIGN MIX.
2. ALL FOUNDATION WALL CONCRETE TO BE 3000 PSI, MIN.
3. ALL FLOOR SLAB TO BE 3500 PSI DESIGN MIX. WET CURE 7 DAYS.
4. CONCRETE SLAB TO BE 4" THICK W/ 6x6x#10 W.W.F.
5. CONCRETE SLAB TO HAVE CONTROL JOINTS.
6. MINIMUM SOIL BEARING CAPACITY OF 2000 PSF.
8. STEEL BARS TO BE GRADE 60.
9. CONCRETE TO BE PLACED WITH A SLUMP NOT TO EXCEED 5".
10. LAP SPLICES IN STEEL TO BE 30 BAR DIAMETER.
11. ALL STEEL REINFORCING SPECIFICATIONS TO BE REVIEWED AND APPROVED BY LOCAL ENGINEER & MUST MEET ALL APPLICABLE CODES.
12. CONCRETE WORK SHALL CONFORM TO ALL REQUIREMENTS OF ACI 301 "SPECIFICATIONS FOR STRUCTURAL CONCRETE FOR BUILDINGS".
13. ALL FOOTINGS TO BEAR ON UNDISTURBED SOIL BELOW FROST LINE.
14. ALL FOOTING SIZES AND CONC. SPEC.'S SHALL BE VERIFIED BY LOCAL ENGINEER.

SOILS NOTES:

1. PLACE FOOTINGS ON UNDISTURBED SOIL.
2. BACK FILL SHALL BE PLACED IN 12" LOOSE LIFTS AND COMPACTED TO 95% ASTM DD 1557 INSIDE BUILDING AND 90% OUTSIDE.
3. BACK FILL SHALL BE PLACED SIMULTANEOUSLY ON EACH SIDE OF THE WALL.

GENERAL NOTES:

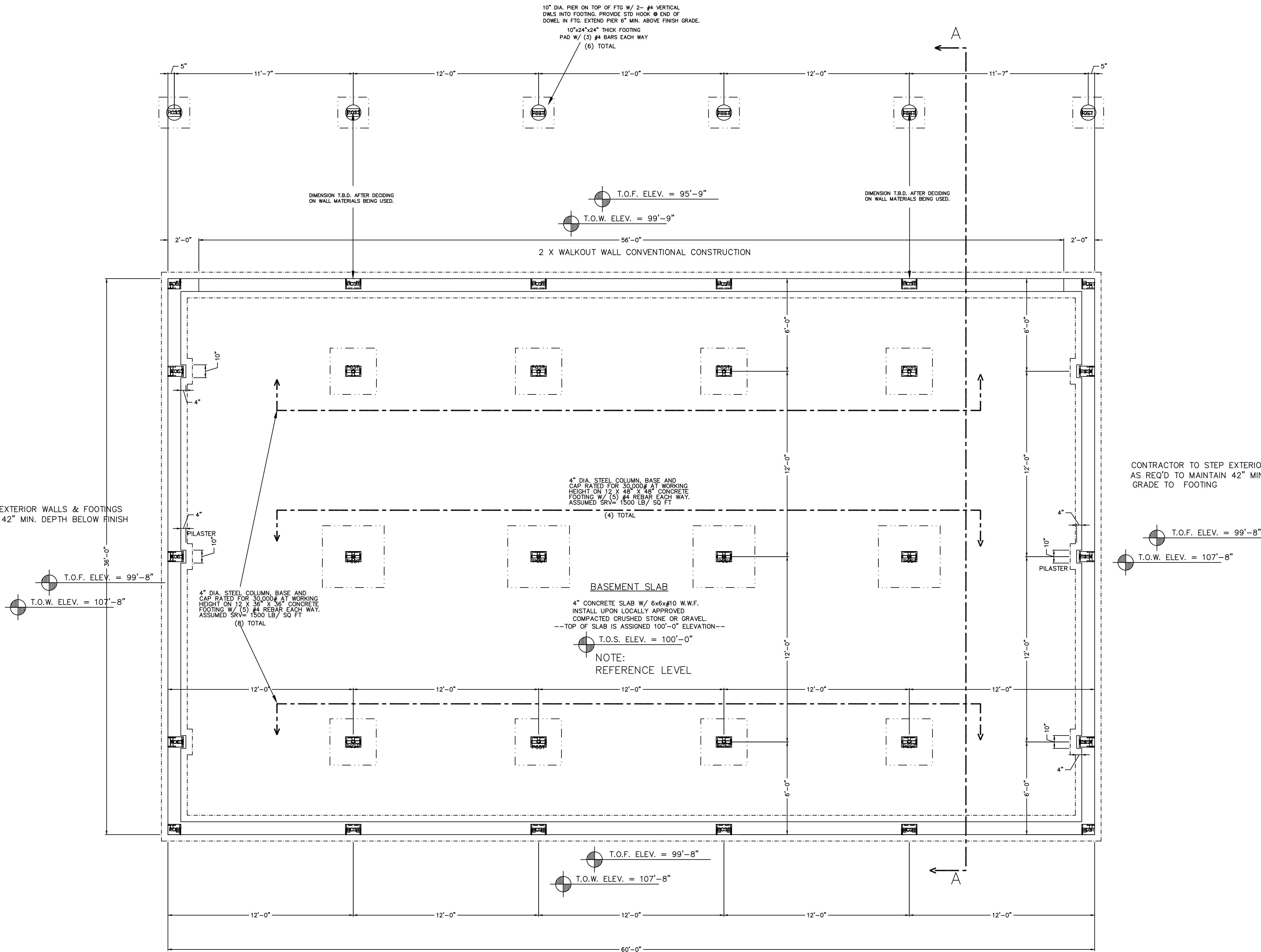
1. DOOR AND WINDOW OPENINGS PER OWNER
2. G.C. IS RESPONSIBLE TO MAKE ALL WINDOW WELLS MEET LOCAL & APPLICABLE CODES

LEGEND:

- T.O.F. = TOP OF FOOTING
- T.O.S. = TOP OF SLAB
- T.O.W. = TOP OF WALL
- T.B.V. = TO BE VERIFIED
- T.B.D. = TO BE DETERMINED

- OUTLINE OF TIMBER POST ABOVE
- POSTS ALIGNED TO CENTER

CONTRACTOR TO STEP EXTERIOR WALLS & FOOTINGS AS REQ'D TO MAINTAIN 42" MIN. DEPTH BELOW FINISH GRADE TO FOOTING



CONTRACTOR TO STEP EXTERIOR WALLS & FOOTINGS AS REQ'D TO MAINTAIN 42" MIN. DEPTH BELOW FINISH GRADE TO FOOTING

FOUNDATION PLAN PROJECT NORTH

10" CONCRETE FOUNDATION WALL ON AN 12" x 20" CONTINUOUS CONCRETE FOOTING. FOOTING TO BE BELOW FROST LINE AND BE REINFORCED AS REQUIRED.

NOTE: ALL FOUNDATION ELEVATIONS ARE BASED FROM BASEMENT SLAB SEE NOTE: REFERENCE LEVEL

NOTE: SIMPSON STRAPPING OR SIMILAR METAL STAP NAILED TO RIM BOARD AND TO ALL TIMBER POSTS. (APPLIED AND SECURED PER MANUFACTURERS SPECS)

NOTE: DIMENSIONS TO BE CONFIRMED BY GENERAL CONTRACTOR BEFORE CONSTRUCTION BEGINS.

PRIOR TO CONSTRUCTION OF TIMBER FRAME, ALL 1st FLOOR FRAMING MUST BE IN PLACE AND LEVEL

SOLID BLOCKING REQ'D UNDER ALL TIMBER POSTS: BLOCKING TO BE VERTICAL GRAIN TO MINIMIZE COMPRESSION

HARDWIRE SMOKE DETECTORS (W/ BATTERY B.U.) EACH FLOOR

COPYRIGHT LAWS PROHIBIT REPRODUCTION OR USE OF THIS DRAWING, IN WHOLE OR IN PART, WITHOUT THE EXPRESSED WRITTEN PERMISSION OF DW TIMBER FRAME DESIGN

DO NOT SCALE DIMENSIONS ON THESE DRAWINGS. THESE IMAGES ARE MACHINE REPRODUCTIONS AND MAY CONTAIN A MARGIN OF ERROR.

REVISIONS	
NUMBER	DESCRIPTION
1/25/20	
1/10/20	

SCALE: 1/4" = 1'-0"

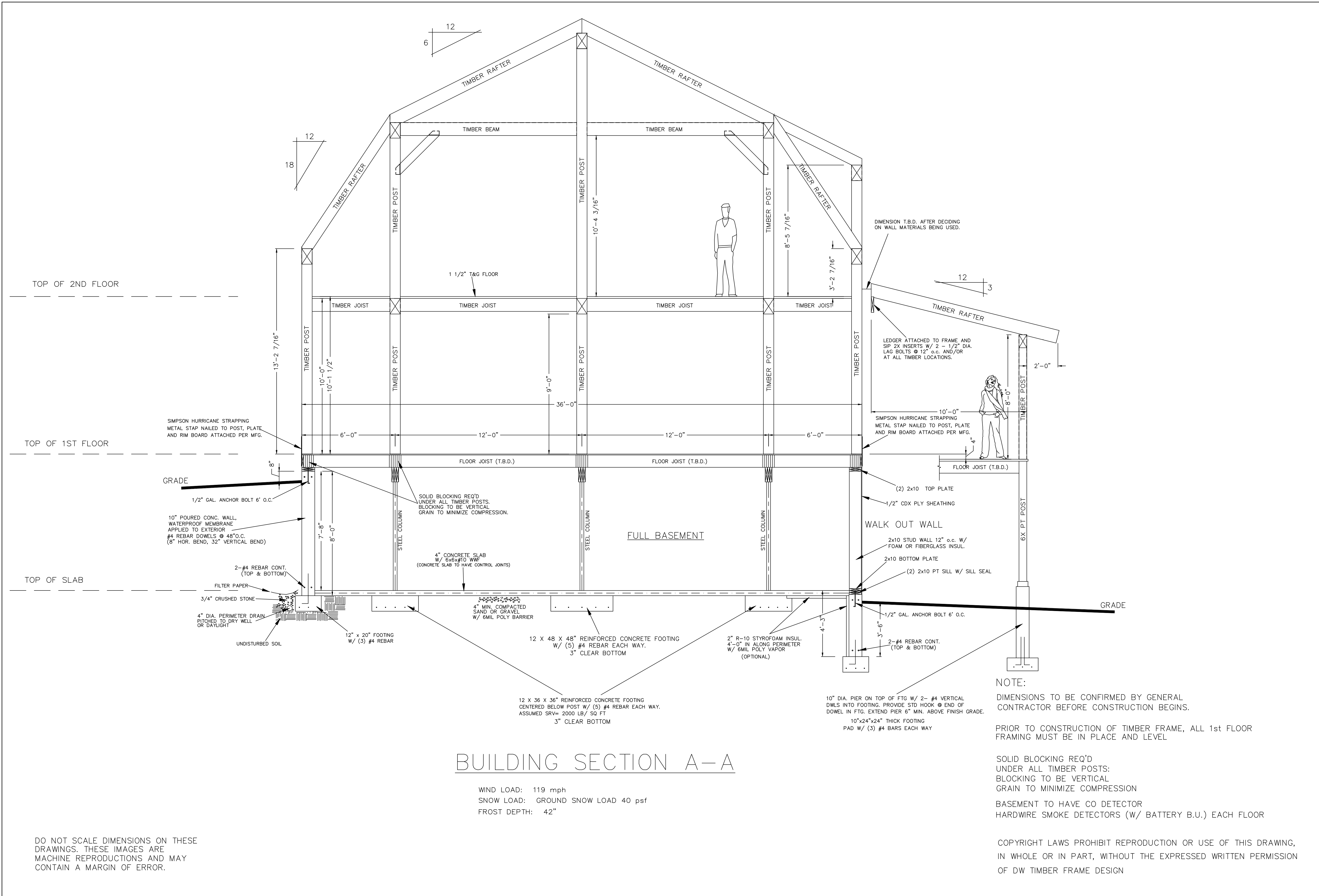
DATE: 1/10/20

DRAWN BY: DEW

CHECKED BY:

JOB NAME: HANCOCK BARN THOMPSON, CT 06277

DW TIMBER FRAME DESIGN
TIMBER FRAME & PANEL HOME DESIGN
WWW.TIMBERFRAMEDESIGN.NET
PHONE: (603)852-8251



BUILDING SECTION A-A

WIND LOAD: 119 mph
 SNOW LOAD: GROUND SNOW LOAD 40 psf
 FROST DEPTH: 42"

NOTE:
 DIMENSIONS TO BE CONFIRMED BY GENERAL CONTRACTOR BEFORE CONSTRUCTION BEGINS.
 PRIOR TO CONSTRUCTION OF TIMBER FRAME, ALL 1st FLOOR FRAMING MUST BE IN PLACE AND LEVEL
 SOLID BLOCKING REQ'D UNDER ALL TIMBER POSTS: BLOCKING TO BE VERTICAL GRAIN TO MINIMIZE COMPRESSION
 BASEMENT TO HAVE CO DETECTOR
 HARDWIRE SMOKE DETECTORS (W/ BATTERY B.U.) EACH FLOOR

COPYRIGHT LAWS PROHIBIT REPRODUCTION OR USE OF THIS DRAWING, IN WHOLE OR IN PART, WITHOUT THE EXPRESSED WRITTEN PERMISSION OF DW TIMBER FRAME DESIGN

DO NOT SCALE DIMENSIONS ON THESE DRAWINGS. THESE IMAGES ARE MACHINE REPRODUCTIONS AND MAY CONTAIN A MARGIN OF ERROR.

REVISIONS	
DATE:	NUMBER & DISCUSSION
1/25/20	
SCALE: 3/8" = 1'-0"	
DATE: 1/10/20	
DRAWN BY: DEW	
CHECKED BY:	

JOB NAME:
HANCOCK BARN
THOMPSON, CT 06277

DW TIMBER FRAME DESIGN
 TIMBER FRAME & PANEL HOME DESIGN
 WWW.TIMBERFRAMEDESIGN.NET
 PHONE: (603)852-8251