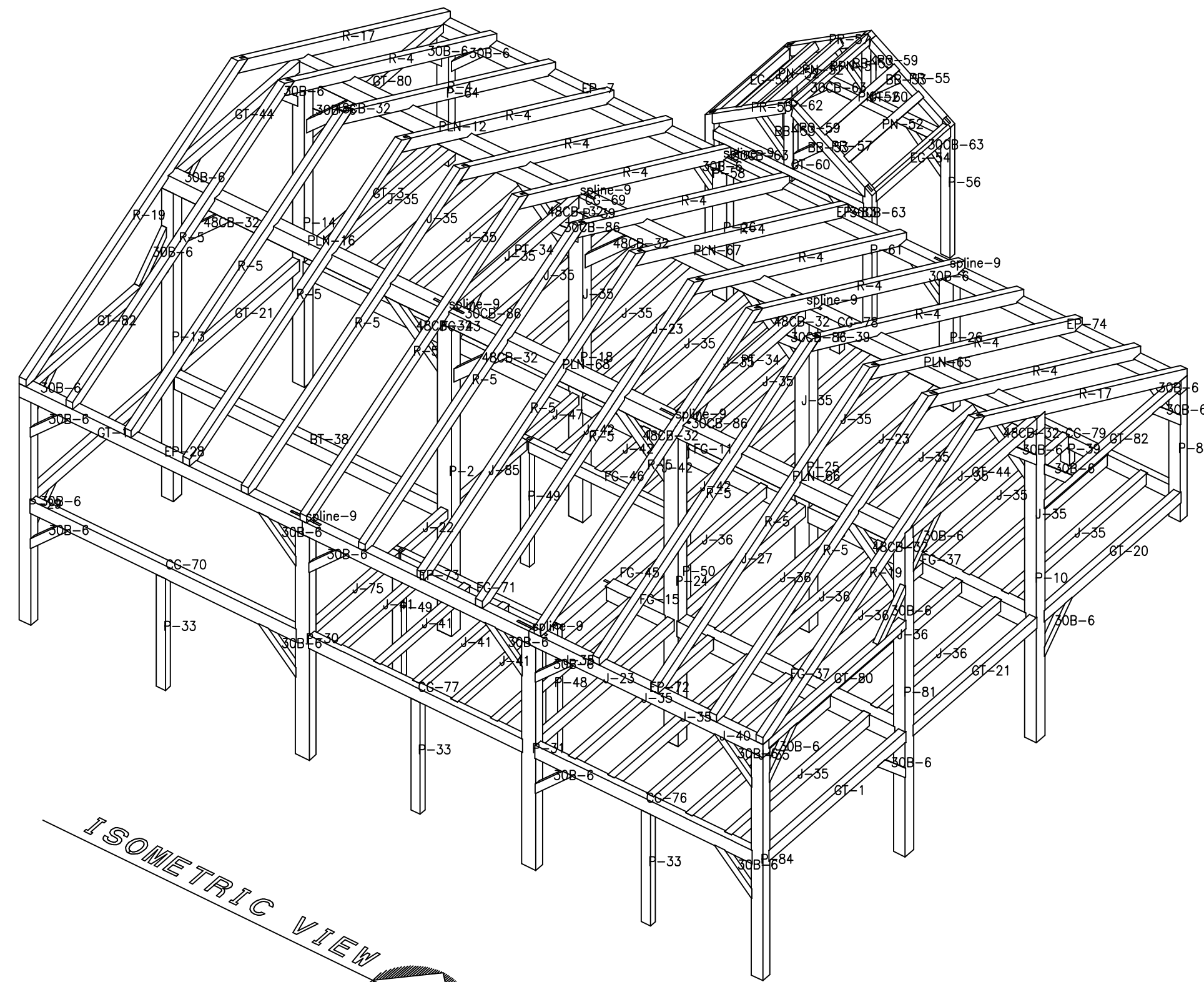
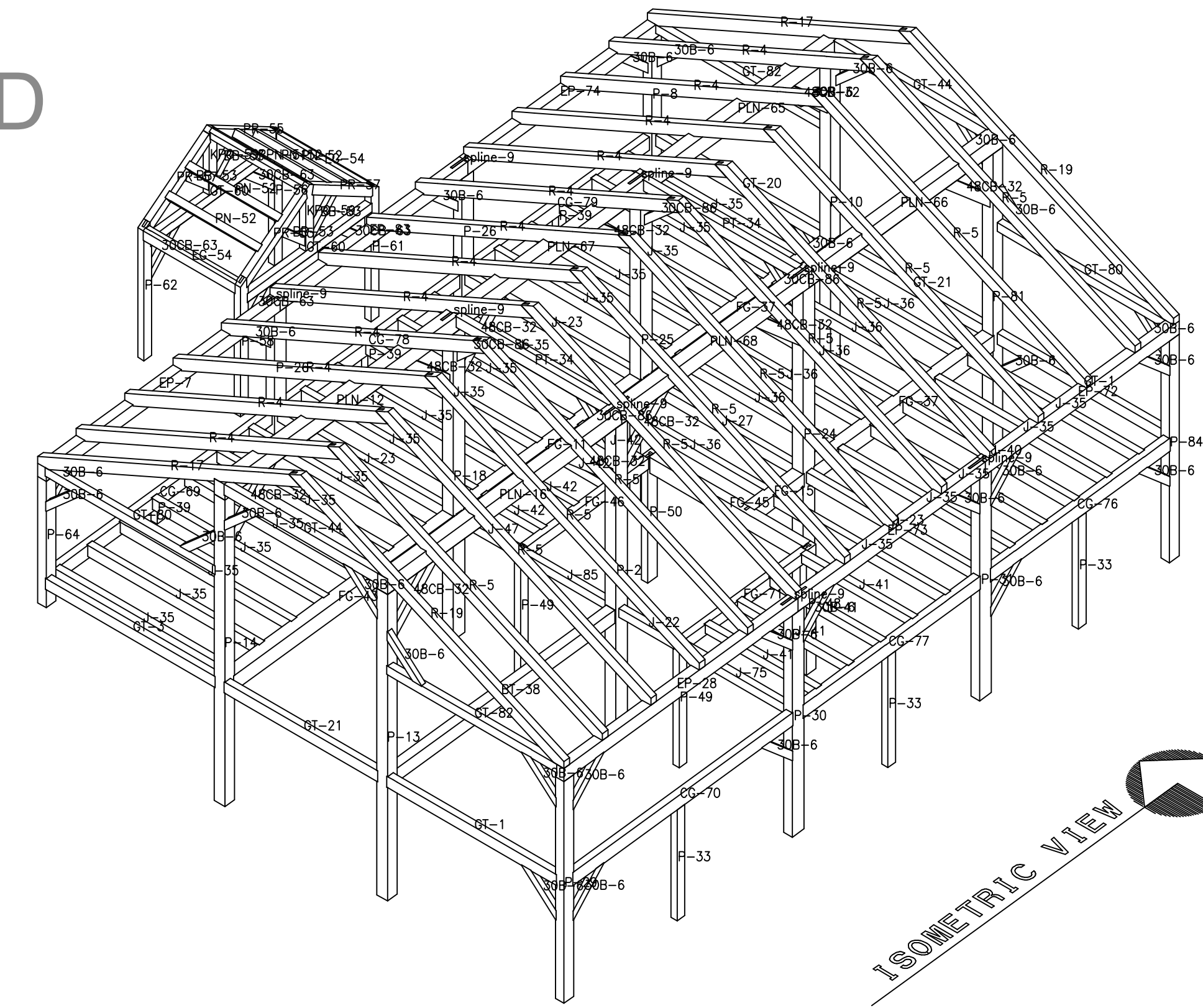


COPYRIGHT PROTECTED
DW DESIGN

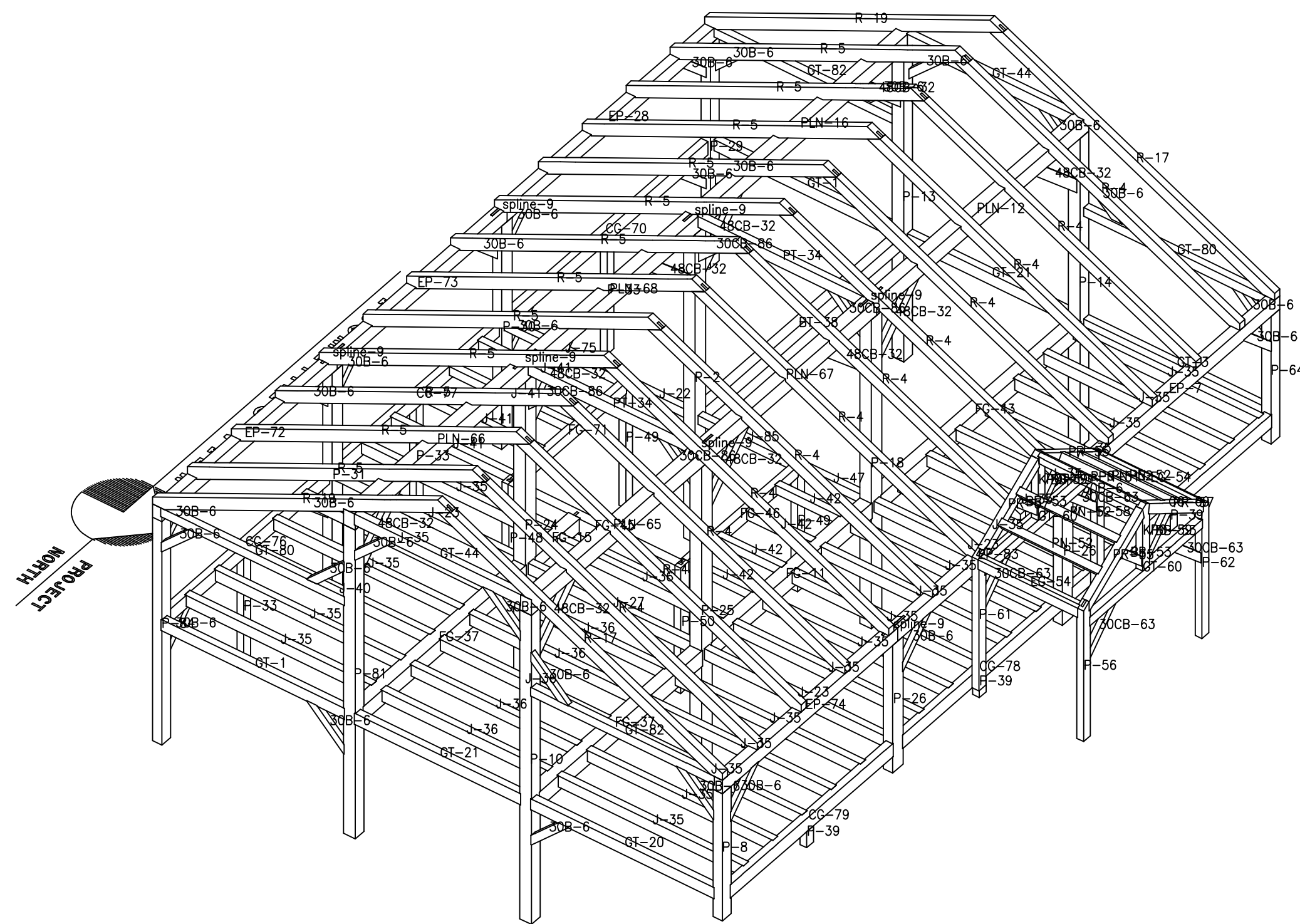


ISOMETRIC VIEW
PROJECT NORTH

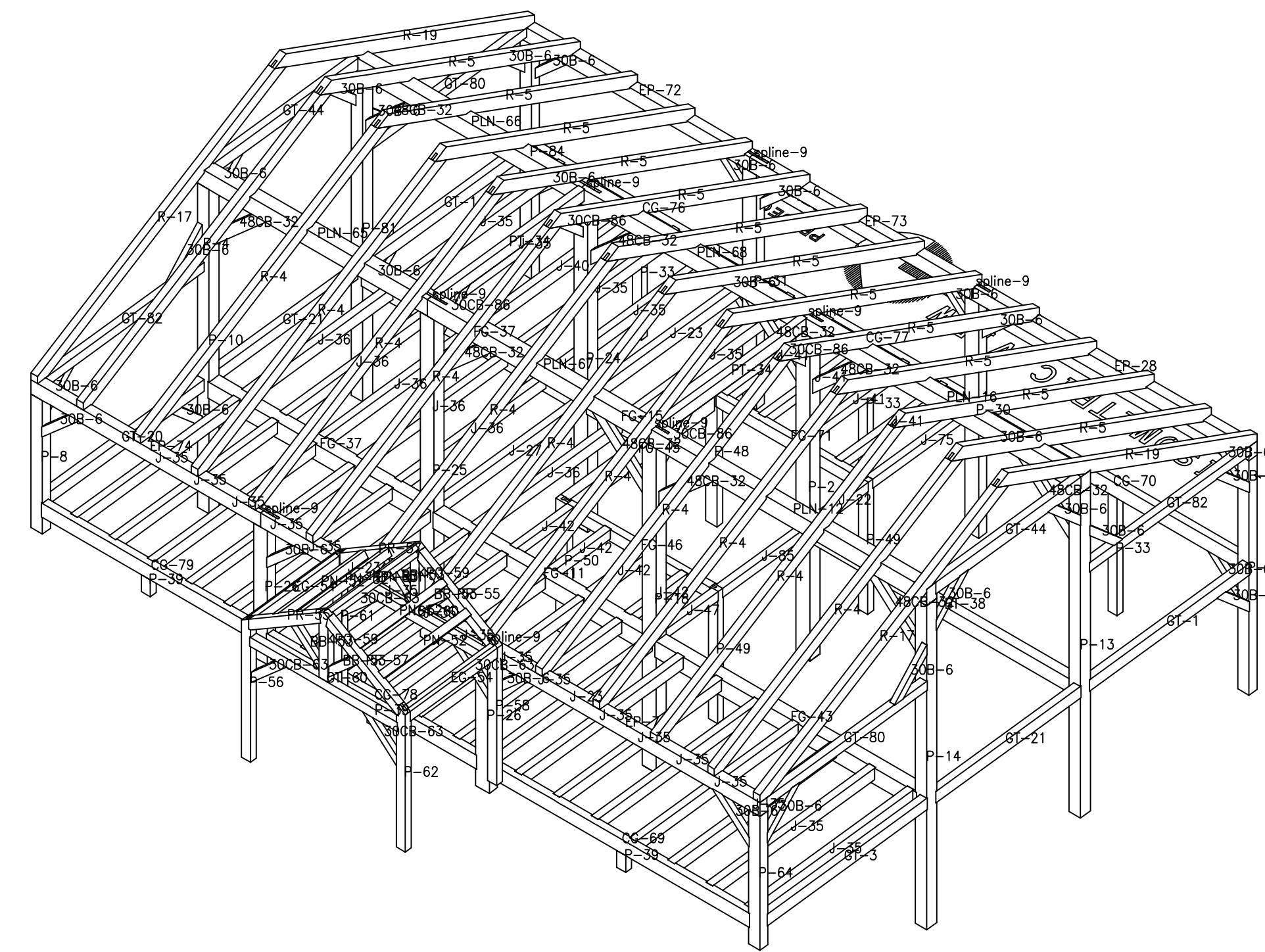


ISOMETRIC VIEW
PROJECT NORTH

BELDIN RESIDENCE
COLONA, IL



ISOMETRIC VIEW
PROJECT NORTH



COPYRIGHT LAWS PROHIBIT REPRODUCTION OR USE OF THIS DRAWING, IN WHOLE OR IN PART, WITHOUT THE EXPRESSED WRITTEN PERMISSION OF DW TIMBER FRAME DESIGN

DO NOT SCALE DIMENSIONS ON THESE DRAWINGS. THESE IMAGES ARE MACHINE REPRODUCTIONS AND MAY CONTAIN A MARGIN OF ERROR.

DW TIMBER FRAME DESIGN

CUSTOMER: BELDIN

DRAWN BY: DEW

DRAWING: ISOMETRIC VIEW

REVISIONS:

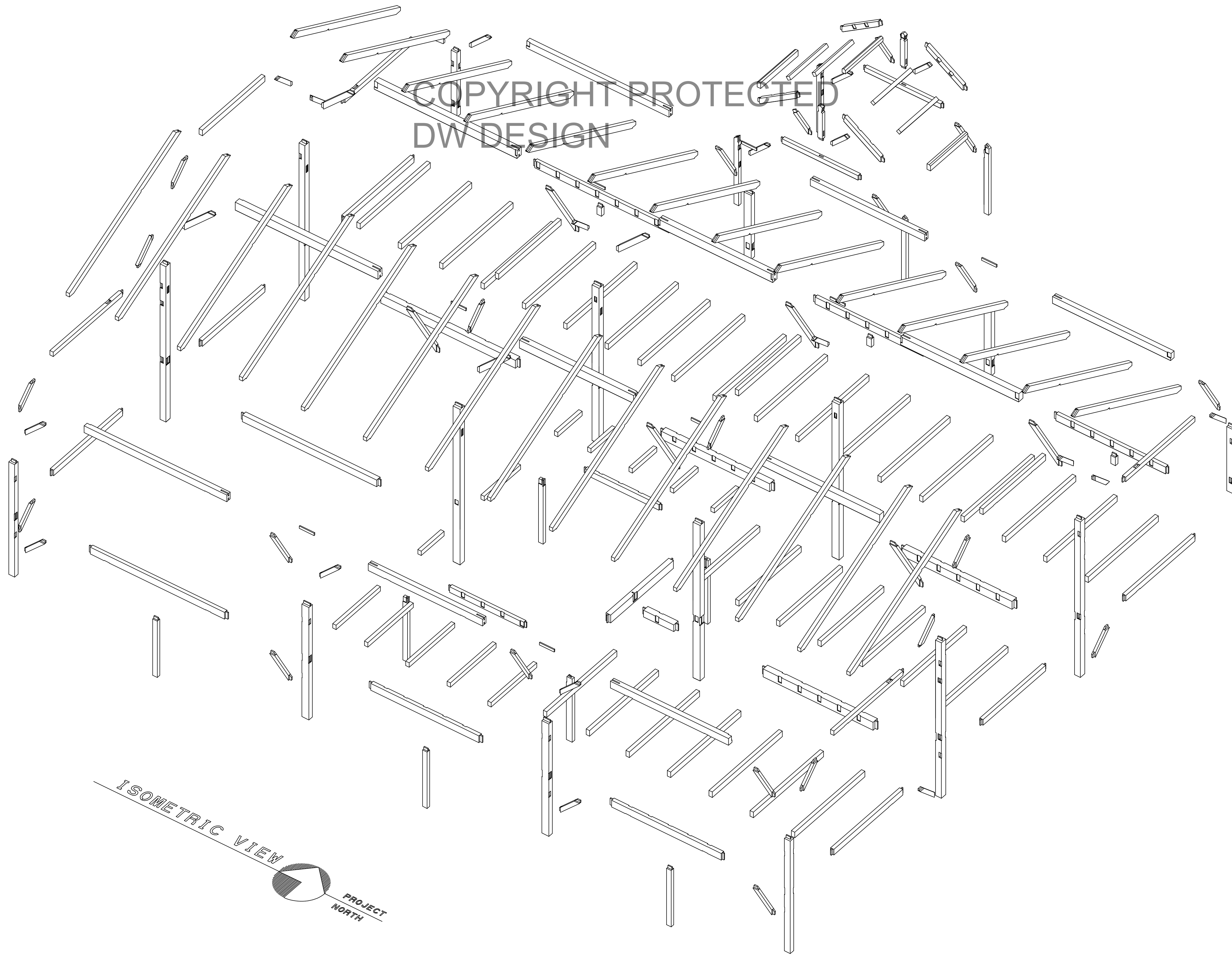
SCALE: NOT TO SCALE DATE: 2/20/20

PROJECT NUMBER:

DRAWING NUMBER:

ISO

COPYRIGHT PROTECTED
DW DESIGN



ISOMETRIC VIEW
PROJECT NORTH

COPYRIGHT LAWS PROHIBIT REPRODUCTION OR USE OF THIS DRAWING, IN WHOLE OR IN PART, WITHOUT THE EXPRESSED WRITTEN PERMISSION OF DW TIMBER FRAME DESIGN

DO NOT SCALE DIMENSIONS ON THESE DRAWINGS. THESE IMAGES ARE MACHINE REPRODUCTIONS AND MAY CONTAIN A MARGIN OF ERROR.

DW TIMBER FRAME DESIGN

CUSTOMER: BELDIN

DRAWN BY: DEW

DRAWING NUMBER:

DRAWING: ISOMETRIC VIEW

REVISIONS:

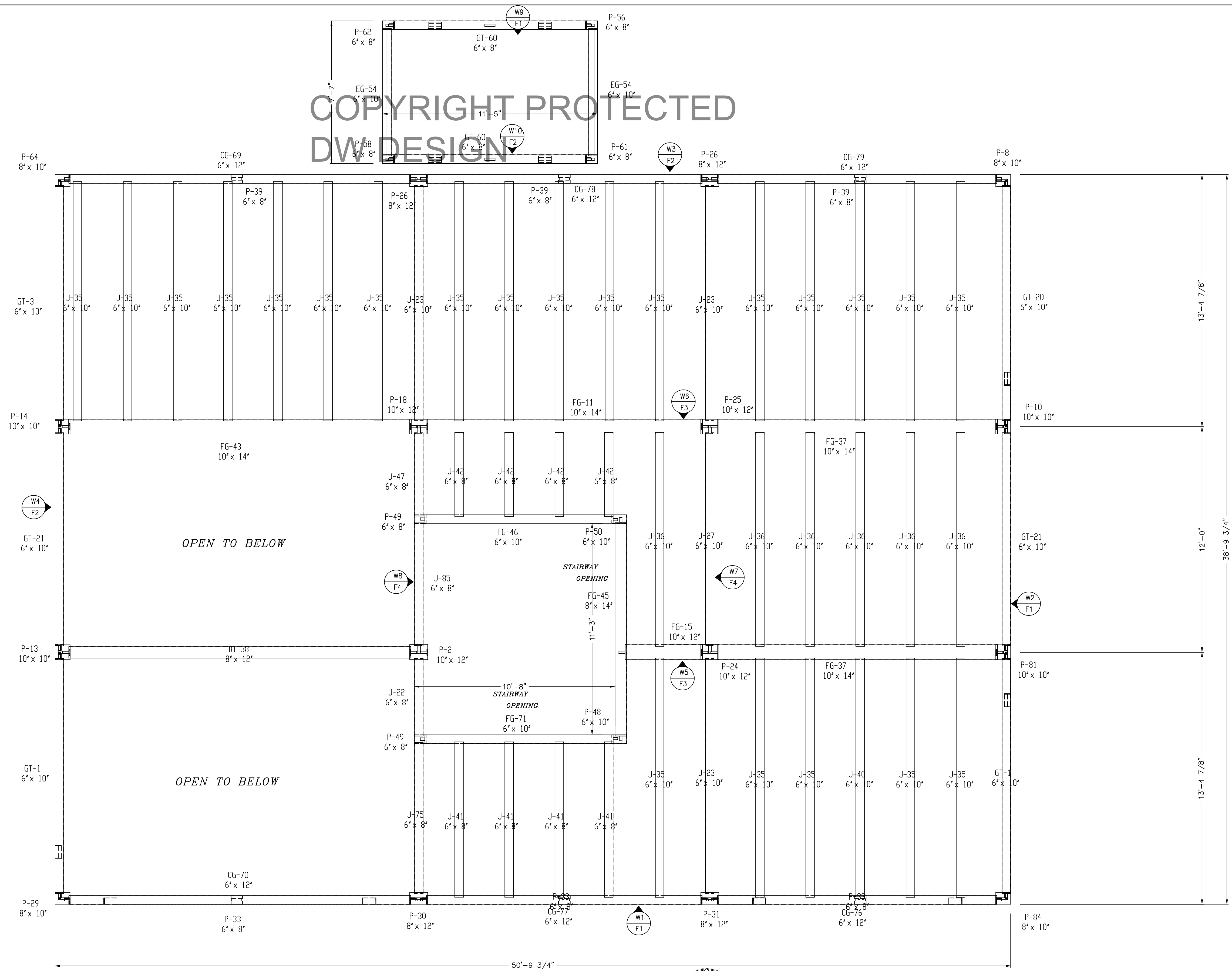
XISO

SCALE: NOT TO SCALE DATE: 2/20/20

PROJECT NUMBER:

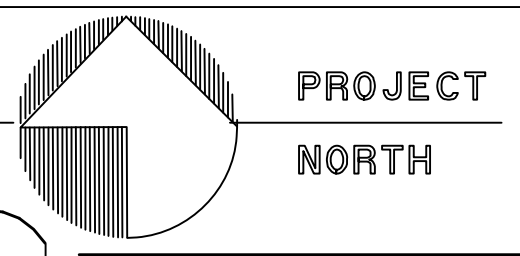
COPYRIGHT PROTECTED
DW DESIGN

- BT = BAY TIE
- CT = COLLAR TIE
- CC = CONNECTING GIRT
- EC = EAVE GIRT
- EP = EAVE PLATE
- FG = FLOOR GIRT
- CT = CABLE TIE
- HB = HAMMER BEAM
- HP = HAMMER POST
- HR = HIP RAFTER
- J = JOIST
- LDC = LEDGER
- KPO = KING POST
- P = POST
- PR = PORCH RAFTER
- PT = PURLIN TIE
- PN = BENT PURLIN
- PLN = PRINCIPLE PURLIN
- R = RAFTER
- RB = RIDGE BEAM
- RPN = RIDGE PURLIN
- S = SILL PLATE
- CB = CENTER BRACE
- B = KNEE BRACE
- VR = VALLEY RAFTER



ALL FRAME MEMBERS ARE OF EASTERN WHITE PINE #2 OR BETTER
(SUBSTITUTE SPECIES WILL BE NOTED)

POST PLAN & WALL KEY



NOTE: ALL FRAME WALLS ARE VIEWED FROM
OUTSIDE UNLESS NOTED OTHERWISE

COPYRIGHT LAWS PROHIBIT REPRODUCTION OR USE OF THIS DRAWING,
IN WHOLE OR IN PART, WITHOUT THE EXPRESSED WRITTEN PERMISSION
OF DW TIMBER FRAME DESIGN

DO NOT SCALE DIMENSIONS ON THESE
DRAWINGS. THESE IMAGES ARE
MACHINE REPRODUCTIONS AND MAY
CONTAIN A MARGIN OF ERROR.

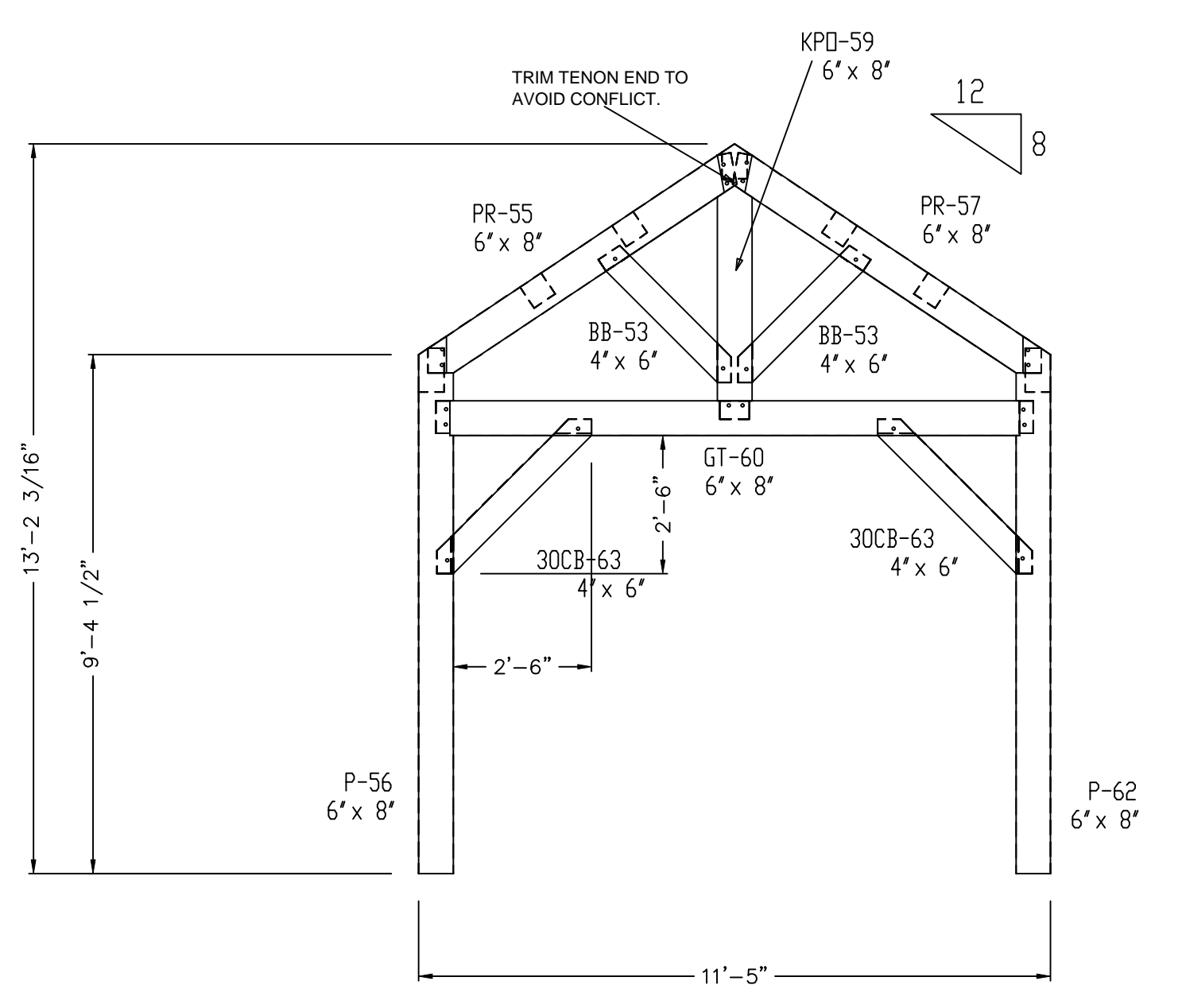
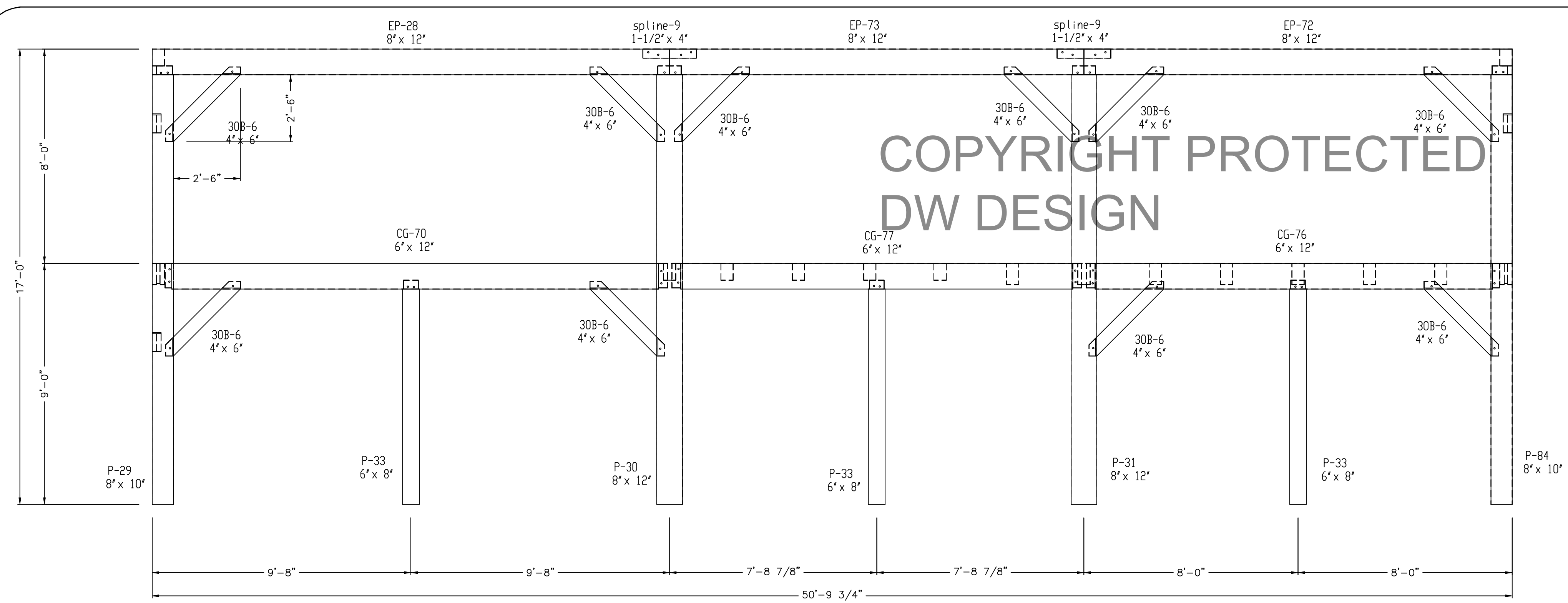
DW TIMBER FRAME DESIGN

CUSTOMER: BELDIN	DRAWN BY: DEW	DRAWING NUMBER: <i>PP</i>
DRAWING: POST PLAN, WALL KEY	REVISIONS:	
SCALE: 3/8" = 1' - 0"	DATE: 2/20/20	PROJECT NUMBER:

COPYRIGHT PROTECTED
DW DESIGN

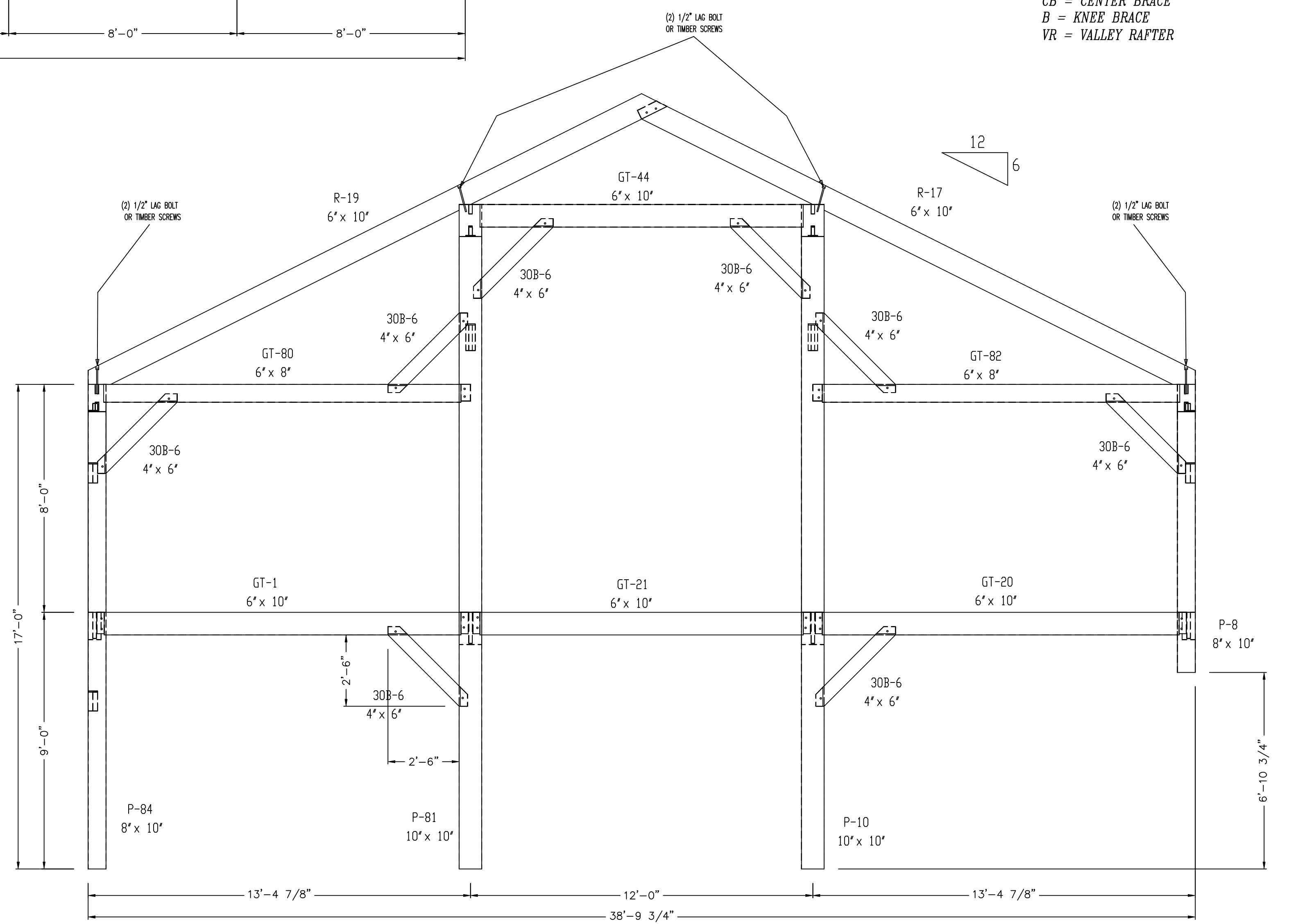
WALL 1
SOUTH ELEVATION

- BT = BAY TIE
- CT = COLLAR TIE
- CC = CONNECTING GIRT
- EC = EAVE GIRT
- EP = EAVE PLATE
- FC = FLOOR GIRT
- GT = GABLE TIE
- HB = HAMMER BEAM
- HP = HAMMER POST
- HR = HIP RAFTER
- J = JOIST
- LDC = LEDGER
- KPO = KING POST
- P = POST
- PR = PORCH RAFTER
- PT = PURLIN TIE
- PN = BENT PURLIN
- PLN = PRINCIPLE PURLIN
- R = RAFTER
- RB = RIDGE BEAM
- RPN = RIDGE PURLIN
- S = SILL PLATE
- CB = CENTER BRACE
- B = KNEE BRACE
- VR = VALLEY RAFTER



WALL 2
EAST ELEVATION

WALL 9
NORTH ELEVATION



ALL FRAME MEMBERS ARE OF EASTERN WHITE PINE #2 OR BETTER
(SUBSTITUTE SPECIES WILL BE NOTED)

NOTE: ALL FRAME WALLS ARE VIEWED FROM
OUTSIDE UNLESS NOTED OTHERWISE

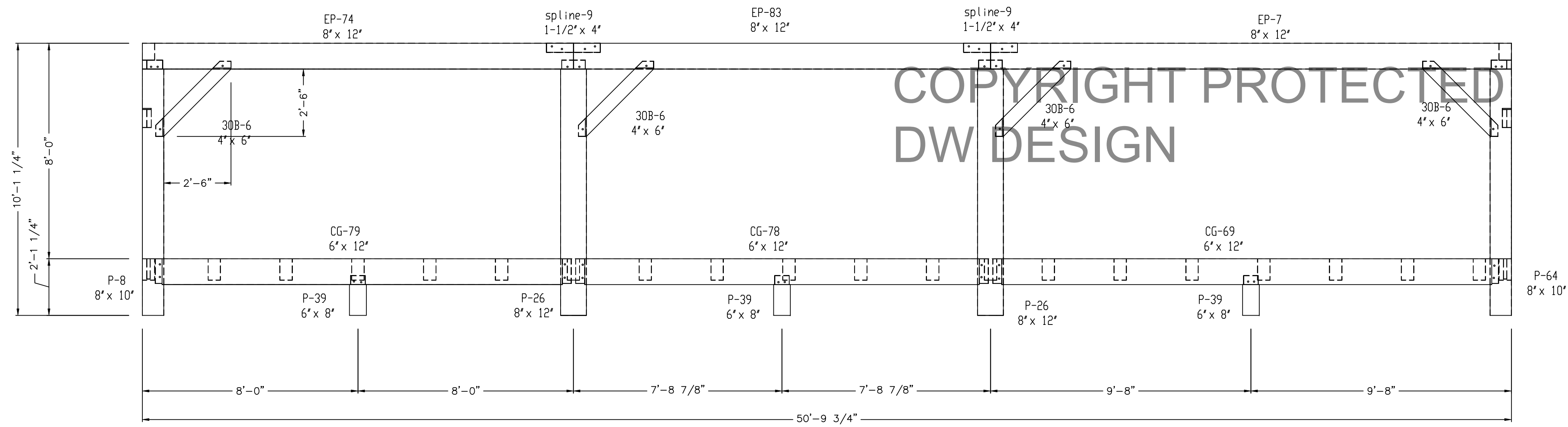
COPYRIGHT LAWS PROHIBIT REPRODUCTION OR USE OF THIS DRAWING,
IN WHOLE OR IN PART, WITHOUT THE EXPRESSED WRITTEN PERMISSION
OF DW TIMBER FRAME DESIGN

DO NOT SCALE DIMENSIONS ON THESE
DRAWINGS. THESE IMAGES ARE
MACHINE REPRODUCTIONS AND MAY
CONTAIN A MARGIN OF ERROR.

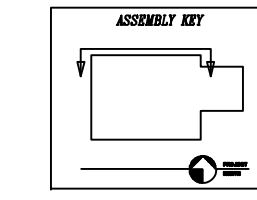
DW TIMBER FRAME DESIGN

CUSTOMER: BELDIN	DRAWN BY: DEW	DRAWING NUMBER:
DRAWING: WALL 1, 2, 9	REVISIONS:	F1
SCALE: 3/8" = 1' - 0"	DATE: 2/20/20	PROJECT NUMBER:

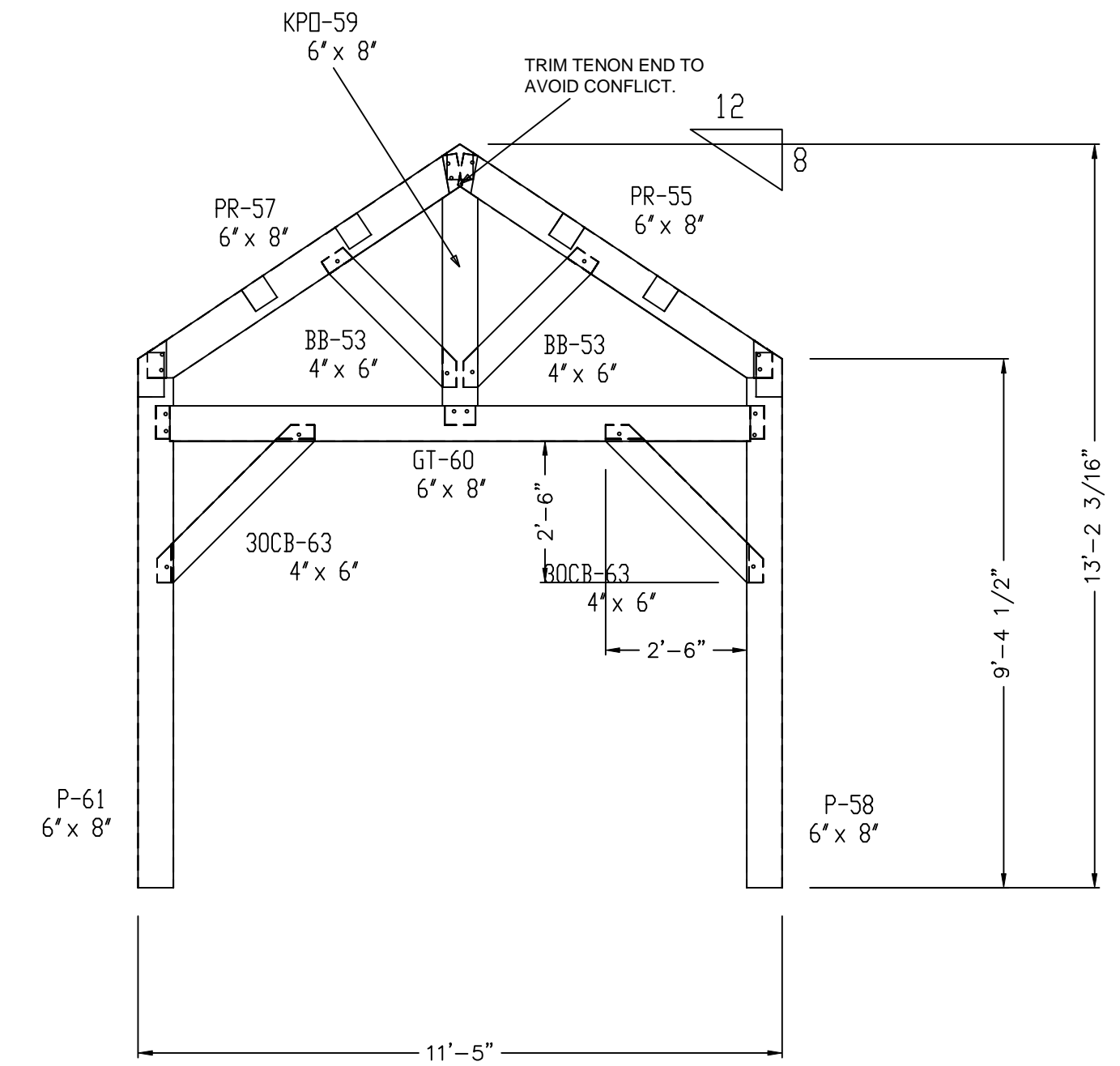
COPYRIGHT PROTECTED
DW DESIGN



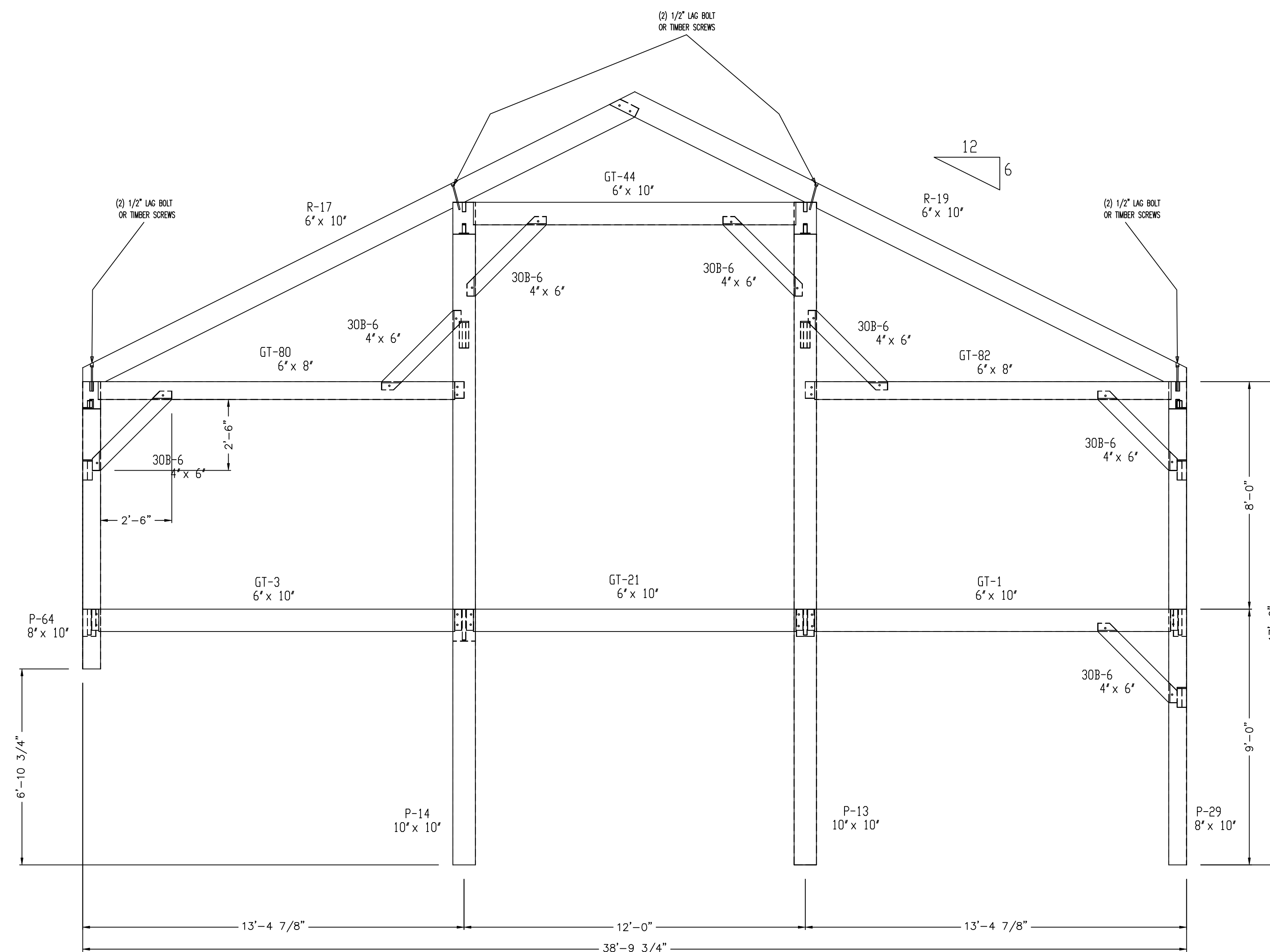
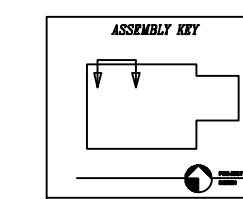
WALL 3
NORTH ELEVATION



- BT = BAY TIE
- CT = COLLAR TIE
- CC = CONNECTING CIRT
- EC = EAVE CIRT
- EP = EAVE PLATE
- FC = FLOOR CIRT
- CT = CABLE TIE
- HB = HAMMER BEAM
- HP = HAMMER POST
- HR = HIP RAFTER
- J = JOIST
- LDC = LEDGER
- KPO = KING POST
- P = POST
- PR = PORCH RAFTER
- PT = PURLIN TIE
- PN = BENT PURLIN
- PLN = PRINCIPLE PURLIN
- R = RAFTER
- RB = RIDGE BEAM
- RPN = RIDGE PURLIN
- S = SILL PLATE
- CB = CENTER BRACE
- B = KNEE BRACE
- VR = VALLEY RAFTER



WALL 10
VIEWED FROM NORTH



WALL 4
EAST ELEVATION

ALL FRAME MEMBERS ARE OF EASTERN WHITE PINE #2 OR BETTER
(SUBSTITUTE SPECIES WILL BE NOTED)

NOTE: ALL FRAME WALLS ARE VIEWED FROM
OUTSIDE UNLESS NOTED OTHERWISE

COPYRIGHT LAWS PROHIBIT REPRODUCTION OR USE OF THIS DRAWING,
IN WHOLE OR IN PART, WITHOUT THE EXPRESSED WRITTEN PERMISSION
OF DW TIMBER FRAME DESIGN

DO NOT SCALE DIMENSIONS ON THESE
DRAWINGS. THESE IMAGES ARE
MACHINE REPRODUCTIONS AND MAY
CONTAIN A MARGIN OF ERROR.

DW TIMBER FRAME DESIGN

CUSTOMER: BELDIN

DRAWN BY: DEW

DRAWING
NUMBER:

DRAWING: WALL 3, 4, 10

REVISIONS:

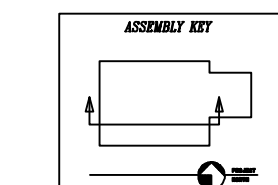
F2

SCALE: 3/8" = 1' - 0"

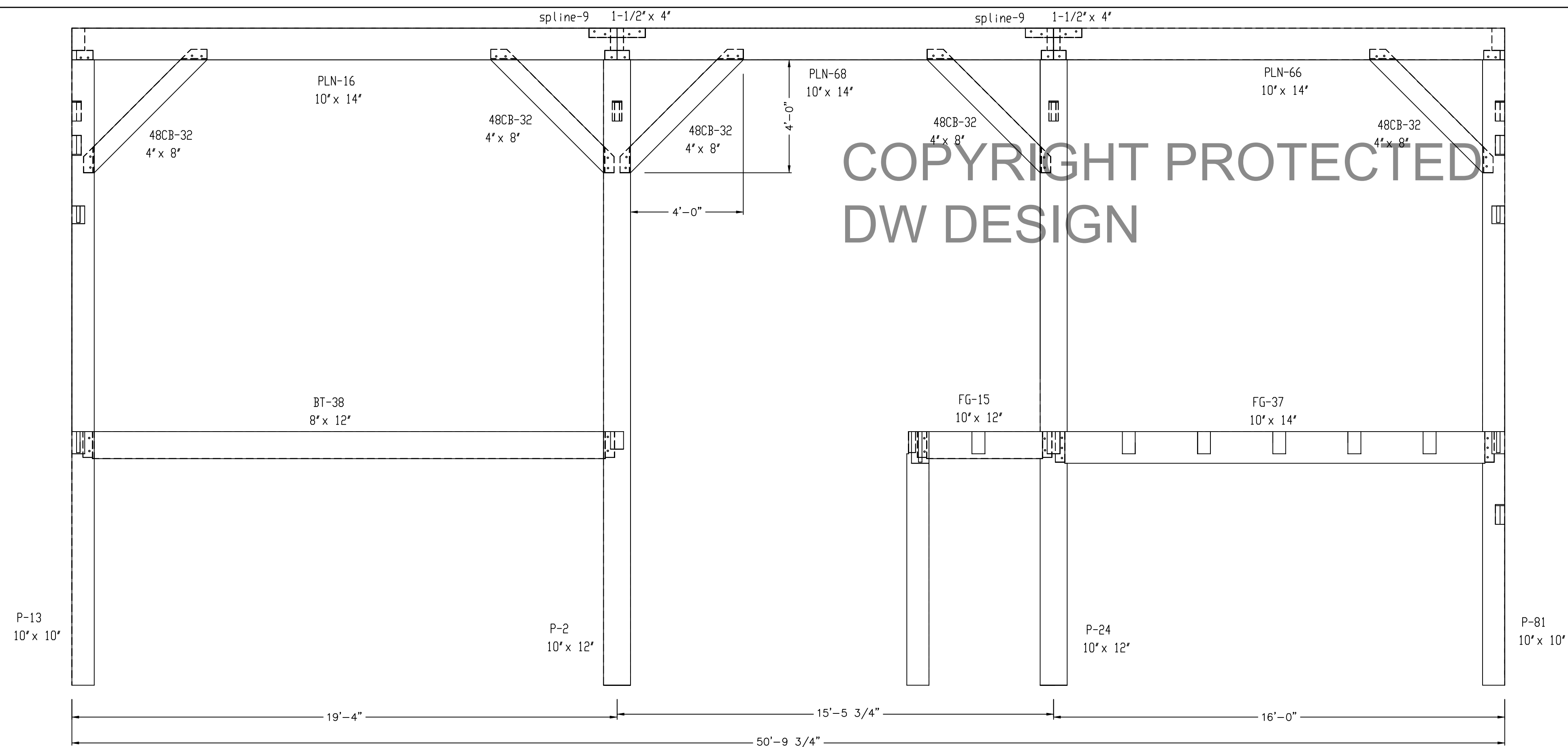
DATE: 2/20/20

PROJECT NUMBER:

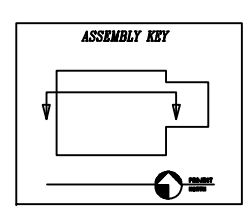
COPYRIGHT PROTECTED
DW DESIGN



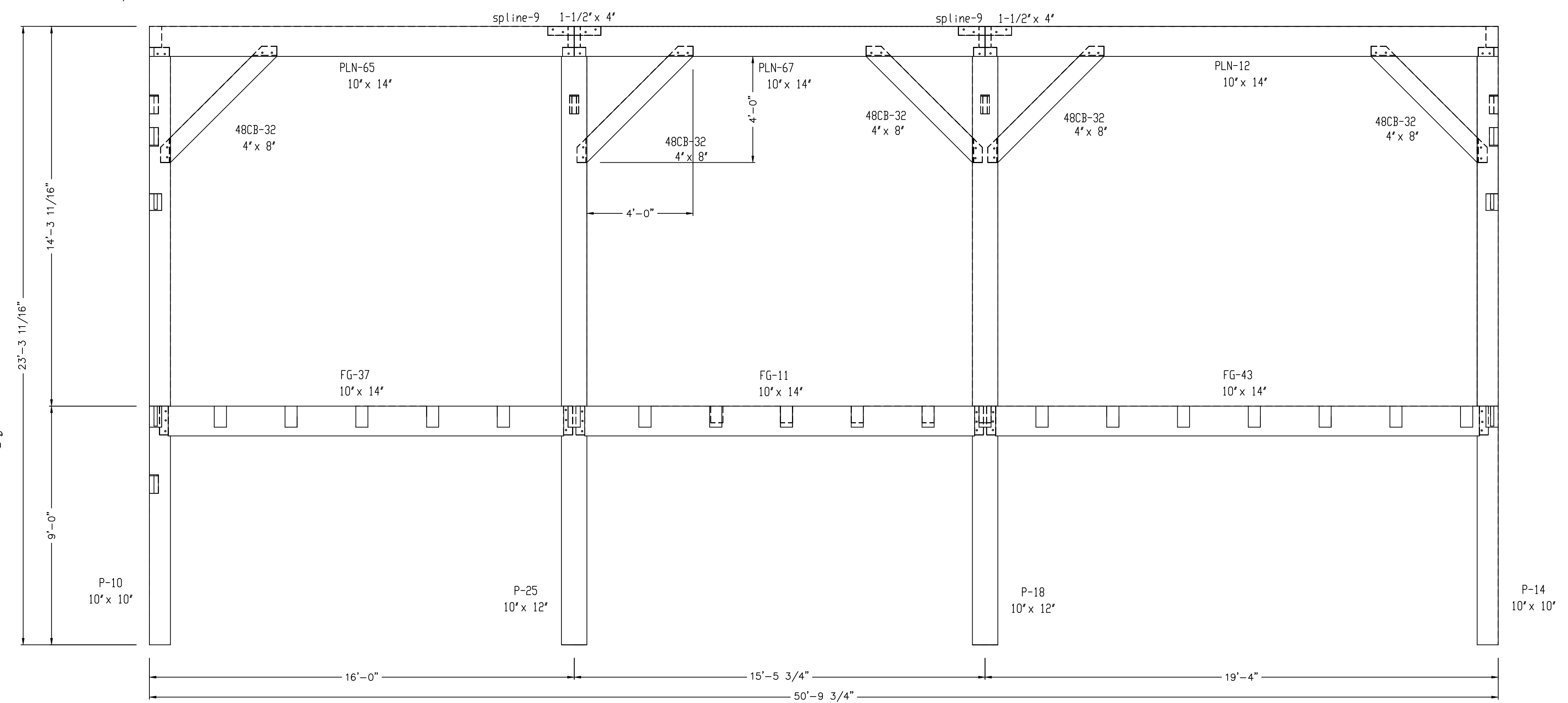
SOUTH PURLIN WALL 5
VIEWED FROM SOUTH



- BT = BAY TIE
- CT = COLLAR TIE
- CC = CONNECTING GIRT
- EC = EAVE GIRT
- EP = EAVE PLATE
- FC = FLOOR GIRT
- CT = CABLE TIE
- HB = HAMMER BEAM
- HP = HAMMER POST
- HR = HIP RAFTER
- J = JOIST
- LDC = LEDGER
- KPO = KING POST
- P = POST
- PR = PORCH RAFTER
- PT = PURLIN TIE
- PN = BENT PURLIN
- PLN = PRINCIPLE PURLIN
- R = RAFTER
- RB = RIDGE BEAM
- RPN = RIDGE PURLIN
- S = SILL PLATE
- CB = CENTER BRACE
- B = KNEE BRACE
- VR = VALLEY RAFTER



NORTH PURLIN WALL 6
VIEWED FROM NORTH



ALL FRAME MEMBERS ARE OF EASTERN WHITE PINE #2 OR BETTER
(SUBSTITUTE SPECIES WILL BE NOTED)

NOTE: ALL FRAME WALLS ARE VIEWED FROM
OUTSIDE UNLESS NOTED OTHERWISE

COPYRIGHT LAWS PROHIBIT REPRODUCTION OR USE OF THIS DRAWING,
IN WHOLE OR IN PART, WITHOUT THE EXPRESSED WRITTEN PERMISSION
OF DW TIMBER FRAME DESIGN

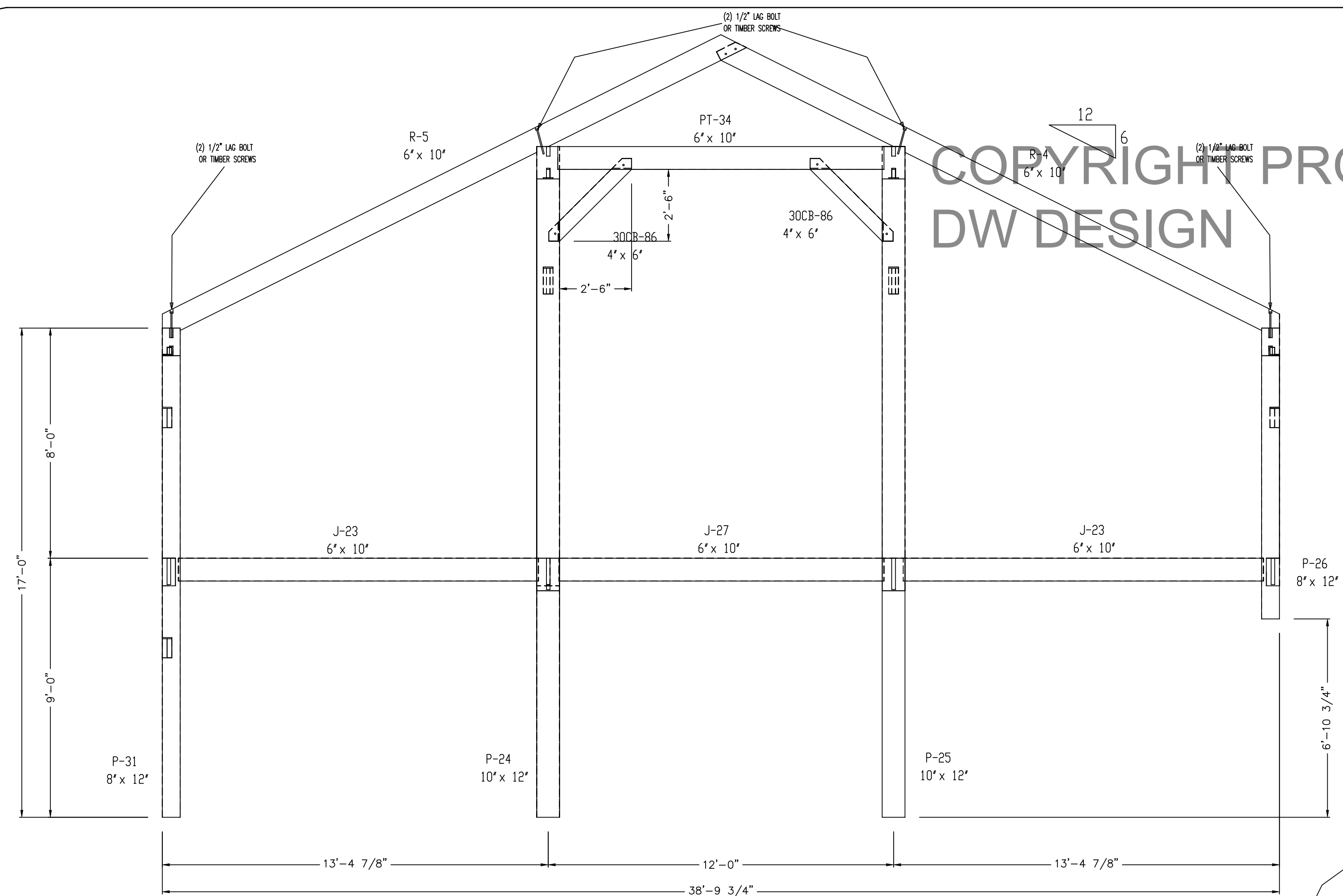
DO NOT SCALE DIMENSIONS ON THESE
DRAWINGS. THESE IMAGES ARE
MACHINE REPRODUCTIONS AND MAY
CONTAIN A MARGIN OF ERROR.

DW TIMBER FRAME DESIGN

CUSTOMER: BELDIN	DRAWN BY: DEW	DRAWING NUMBER:
DRAWING: WALL 5, 6	REVISIONS:	F3
SCALE: 3/8" = 1' - 0"	DATE: 2/20/20	

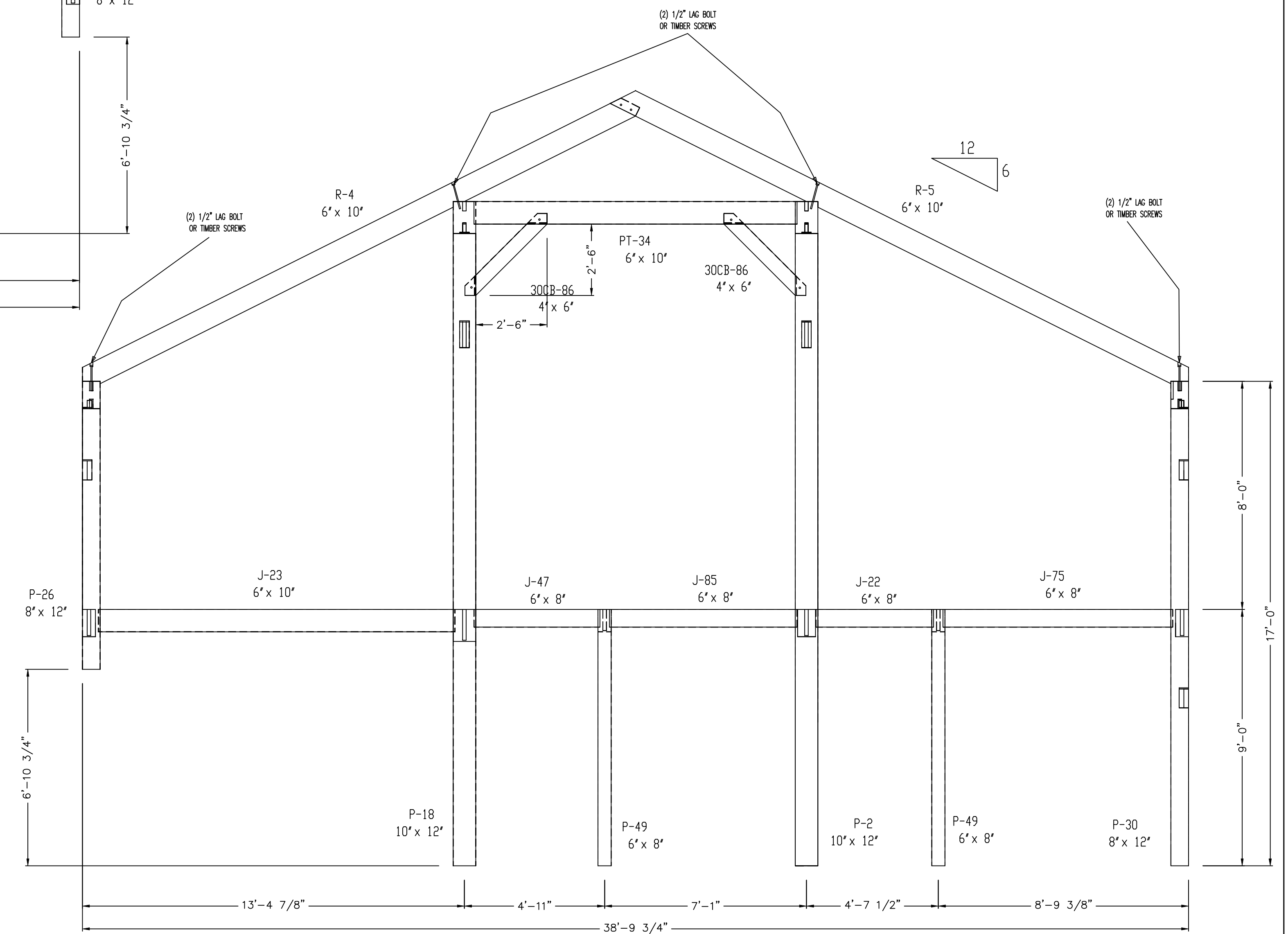
COPYRIGHT PROTECTED
DW DESIGN

WALL 7
VIEWED FROM EAST



- BT = BAY TIE
- CT = COLLAR TIE
- CG = CONNECTING GIRT
- EC = EAVE GIRT
- EP = EAVE PLATE
- FC = FLOOR GIRT
- GT = CABLE TIE
- HB = HAMMER BEAM
- HP = HAMMER POST
- HR = HIP RAFTER
- J = JOIST
- LDC = LEDGER
- KPO = KING POST
- P = POST
- PR = PORCH RAFTER
- PT = PURLIN TIE
- PN = BENT PURLIN
- PLN = PRINCIPLE PURLIN
- R = RAFTER
- RB = RIDGE BEAM
- RPN = RIDGE PURLIN
- S = SILL PLATE
- CB = CENTER BRACE
- B = KNEE BRACE
- VR = VALLEY RAFTER

WALL 8
VIEWED FROM WEST



ALL FRAME MEMBERS ARE OF EASTERN WHITE PINE #2 OR BETTER
(SUBSTITUTE SPECIES WILL BE NOTED)

NOTE: ALL FRAME WALLS ARE VIEWED FROM
OUTSIDE UNLESS NOTED OTHERWISE

COPYRIGHT LAWS PROHIBIT REPRODUCTION OR USE OF THIS DRAWING,
IN WHOLE OR IN PART, WITHOUT THE EXPRESSED WRITTEN PERMISSION
OF DW TIMBER FRAME DESIGN

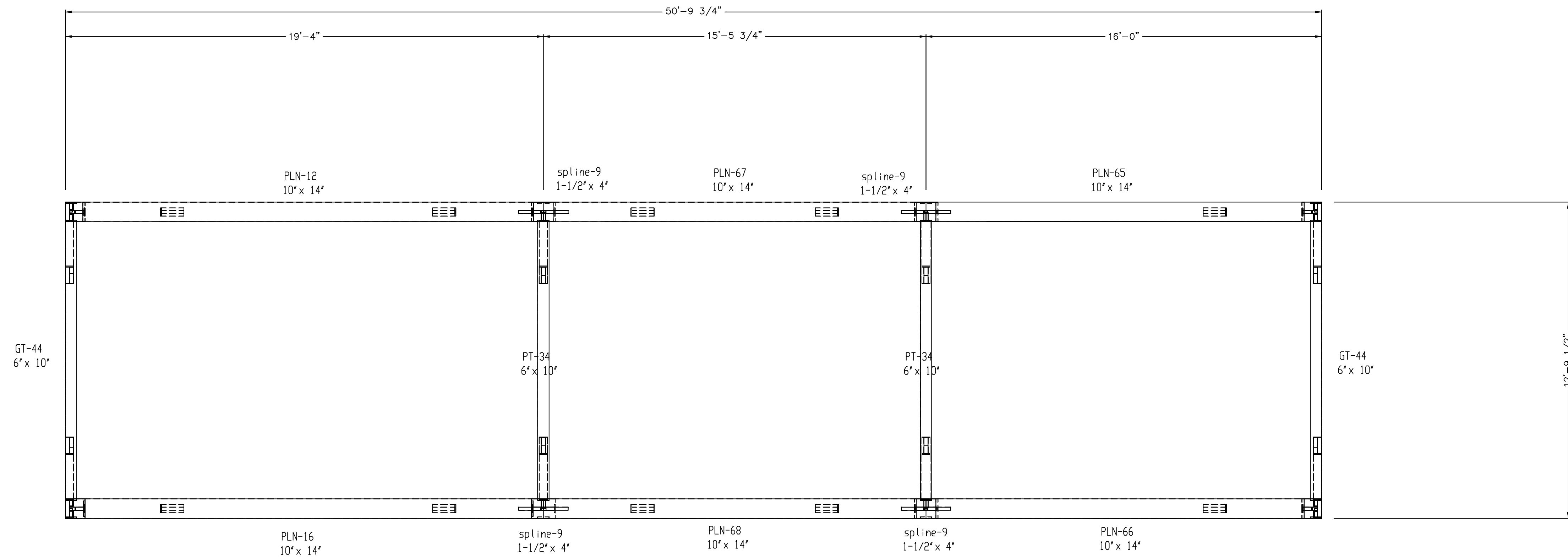
DO NOT SCALE DIMENSIONS ON THESE
DRAWINGS. THESE IMAGES ARE
MACHINE REPRODUCTIONS AND MAY
CONTAIN A MARGIN OF ERROR.

DW TIMBER FRAME DESIGN

CUSTOMER: BELDIN	DRAWN BY: DEW	DRAWING NUMBER:
DRAWING: WALL 7, 8	REVISIONS:	F4
SCALE: 3/8" = 1' - 0"	DATE: 2/20/20	PROJECT NUMBER:

COPYRIGHT PROTECTED DW DESIGN

- BT = BAY TIE
- CT = COLLAR TIE
- CC = CONNECTING GIRT
- EC = EAVE GIRT
- EP = EAVE PLATE
- FG = FLOOR GIRT
- GT = GABLE TIE
- HB = HAMMER BEAM
- HP = HAMMER POST
- HR = HIP RAFTER
- J = JOIST
- LDC = LEDGER
- KPO = KING POST
- P = POST
- PR = PORCH RAFTER
- PT = PURLIN TIE
- PN = BENT PURLIN
- PLN = PRINCIPLE PURLIN
- R = RAFTER
- RB = RIDGE BEAM
- RPN = RIDGE PURLIN
- S = SILL PLATE
- CB = CENTER BRACE
- B = KNEE BRACE
- VR = VALLEY RAFTER



PURLIN TIE PLAN PROJECT NORTH

ALL FRAME MEMBERS ARE OF EASTERN WHITE PINE #2 OR BETTER
(SUBSTITUTE SPECIES WILL BE NOTED)

NOTE: ALL FRAME WALLS ARE VIEWED FROM
OUTSIDE UNLESS NOTED OTHERWISE

COPYRIGHT LAWS PROHIBIT REPRODUCTION OR USE OF THIS DRAWING,
IN WHOLE OR IN PART, WITHOUT THE EXPRESSED WRITTEN PERMISSION
OF DW TIMBER FRAME DESIGN

DO NOT SCALE DIMENSIONS ON THESE
DRAWINGS. THESE IMAGES ARE
MACHINE REPRODUCTIONS AND MAY
CONTAIN A MARGIN OF ERROR.

DW TIMBER FRAME DESIGN

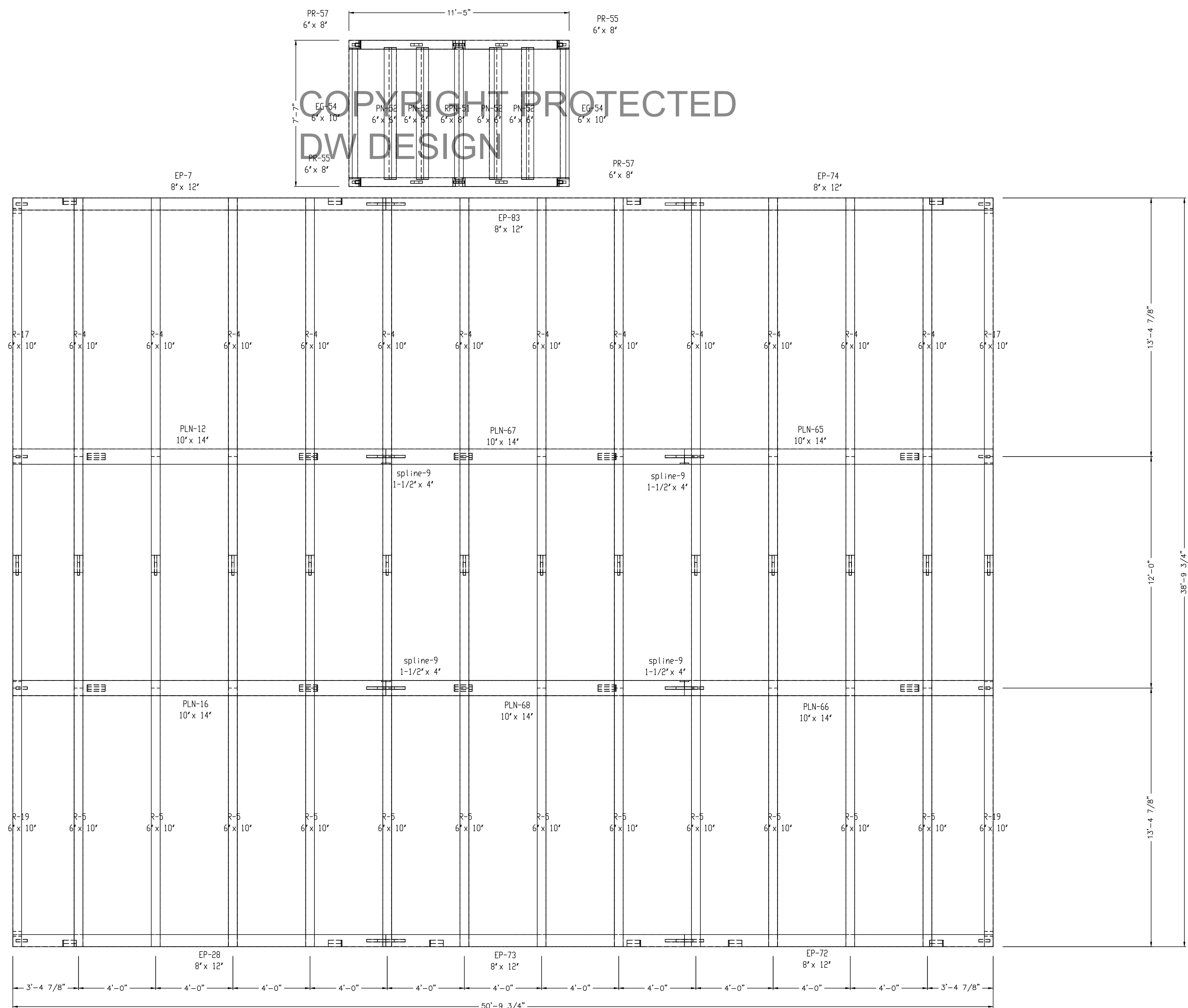
CUSTOMER: BELDIN	DRAWN BY: DEW
DRAWING: PURLIN TIE	REVISIONS:
SCALE: 3/8" = 1' - 0"	DATE: 2/20/20 PROJECT NUMBER:

DRAWING NUMBER:

F5

COPYRIGHT PROTECTED
DW DESIGN

- BT = BAY TIE
- CT = COLLAR TIE
- CC = CONNECTING GIRT
- EC = EAVE GIRT
- EP = EAVE PLATE
- FC = FLOOR GIRT
- CT = CABLE TIE
- HB = HAMMER BEAM
- HP = HAMMER POST
- HR = HIP RAFTER
- J = JOIST
- LDC = LEDGER
- KPO = KING POST
- P = POST
- PR = PORCH RAFTER
- PT = PURLIN TIE
- PN = BENT PURLIN
- PLN = PRINCIPLE PURLIN
- R = RAFTER
- RB = RIDGE BEAM
- RPN = RIDGE PURLIN
- S = SILL PLATE
- CB = CENTER BRACE
- B = KNEE BRACE
- VR = VALLEY RAFTER



ALL FRAME MEMBERS ARE OF EASTERN WHITE PINE #2 OR BETTER
(SUBSTITUTE SPECIES WILL BE NOTED)

NOTE: ALL FRAME WALLS ARE VIEWED FROM
OUTSIDE UNLESS NOTED OTHERWISE

COPYRIGHT LAWS PROHIBIT REPRODUCTION OR USE OF THIS DRAWING,
IN WHOLE OR IN PART, WITHOUT THE EXPRESSED WRITTEN PERMISSION
OF DW TIMBER FRAME DESIGN

DO NOT SCALE DIMENSIONS ON THESE
DRAWINGS. THESE IMAGES ARE
MACHINE REPRODUCTIONS AND MAY
CONTAIN A MARGIN OF ERROR.

DW TIMBER FRAME DESIGN

CUSTOMER: BELDIN

DRAWN BY: DEW

DRAWING: ROOF SYSTEM

REVISIONS:

SCALE: 3/8" = 1' - 0"

DATE: 2/20/20

PROJECT NUMBER:

DRAWING
NUMBER:

F6