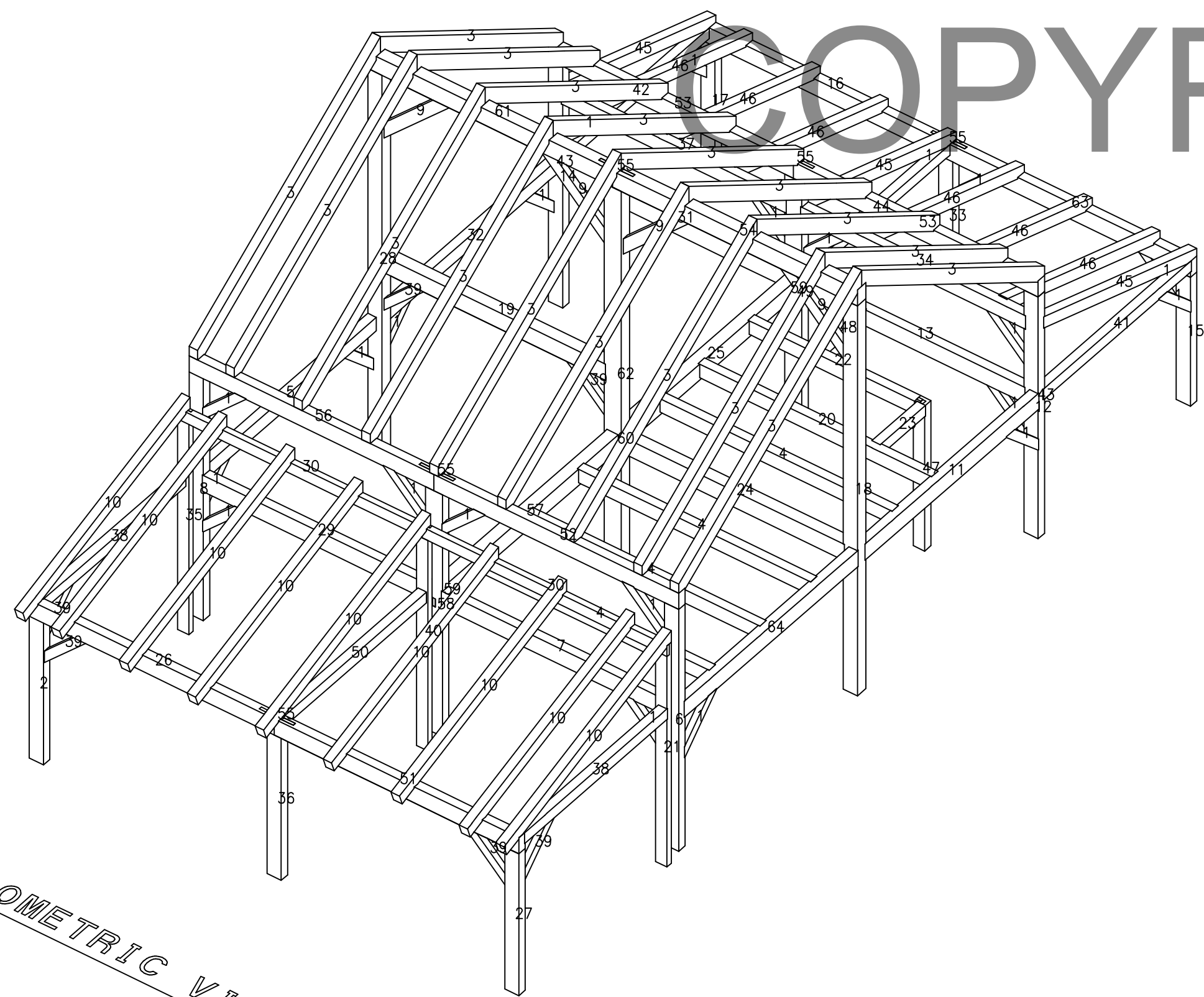
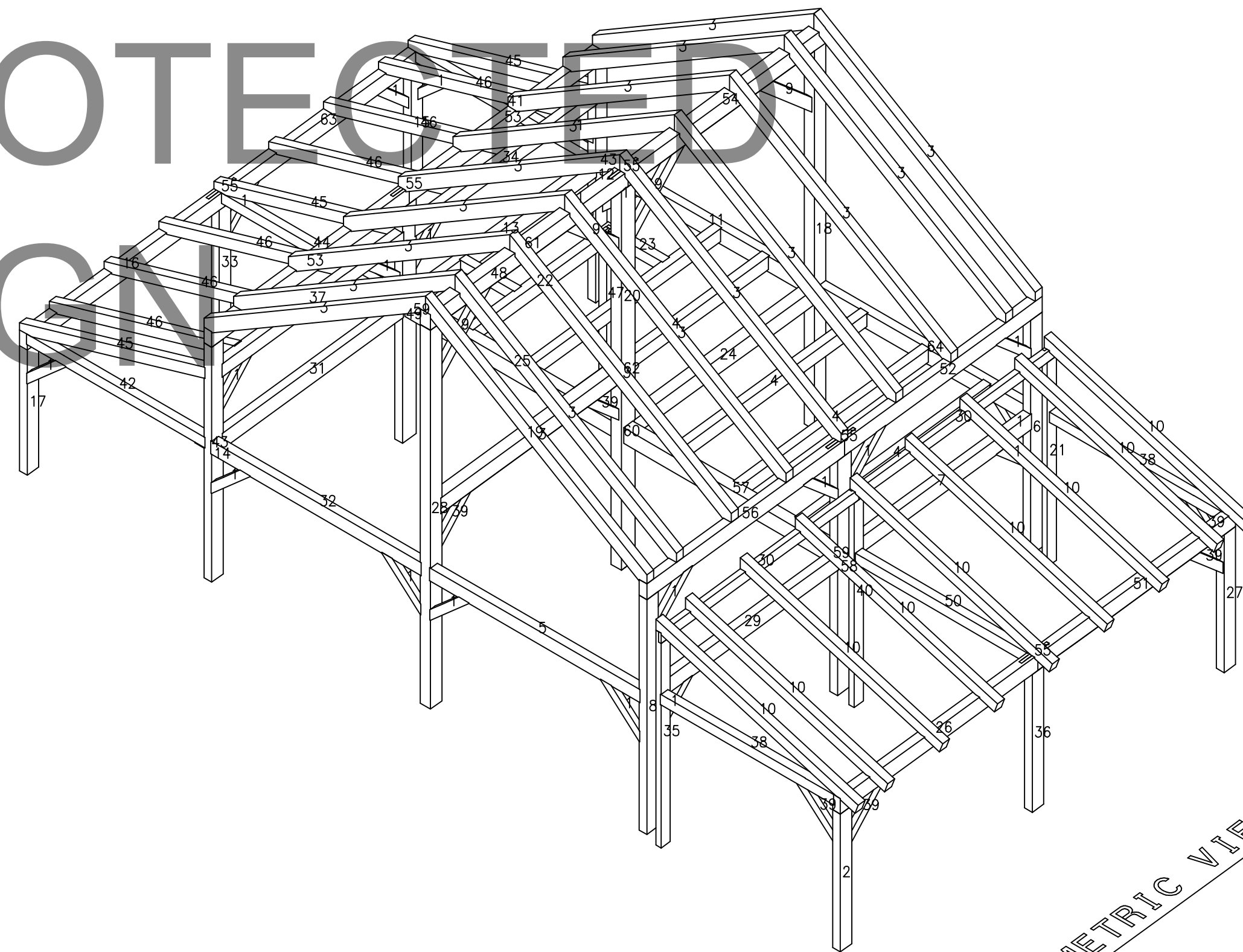


COPYRIGHT PROTECTED
 DW DESIGN

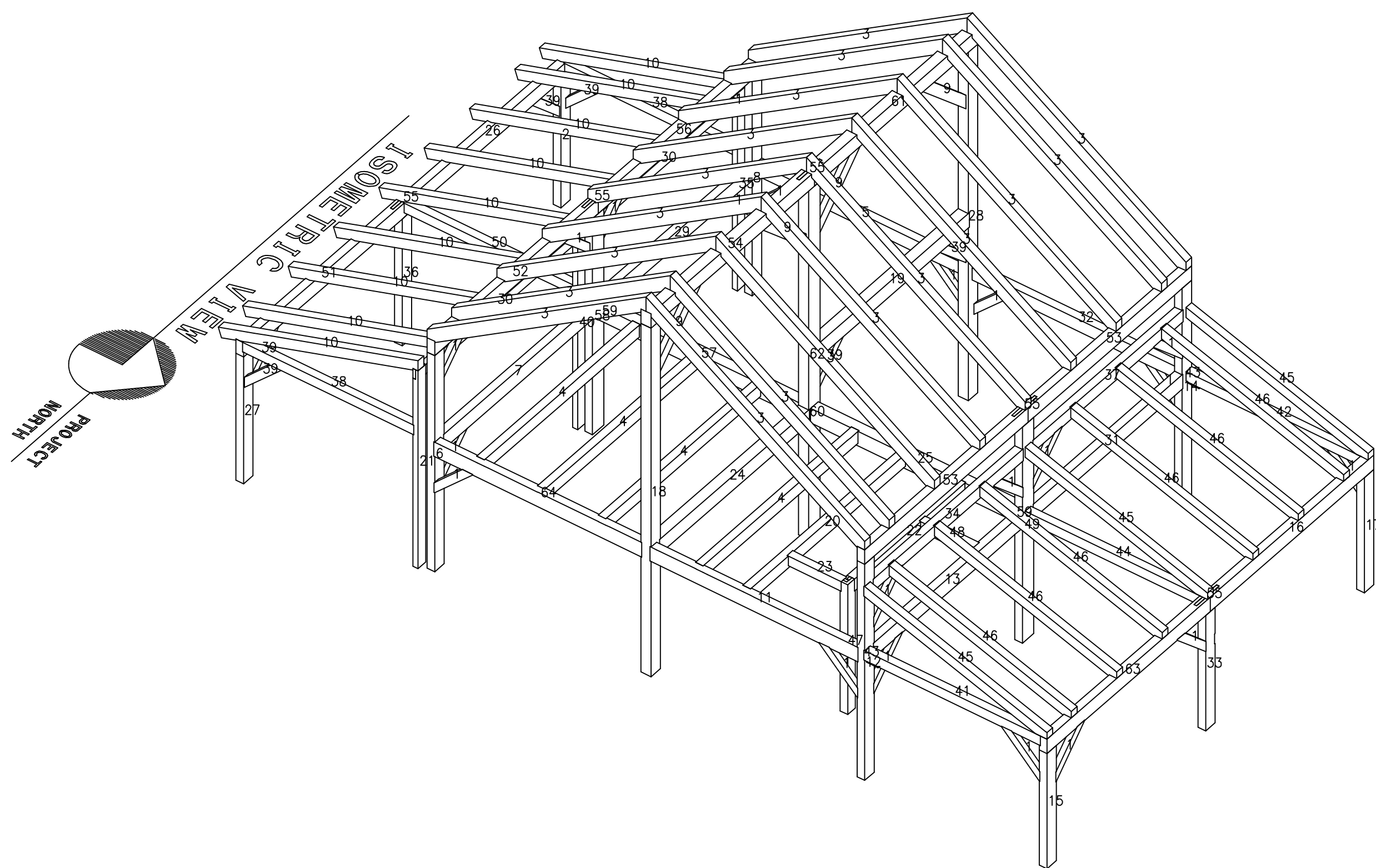


ISOMETRIC VIEW
 PROJECT NORTH

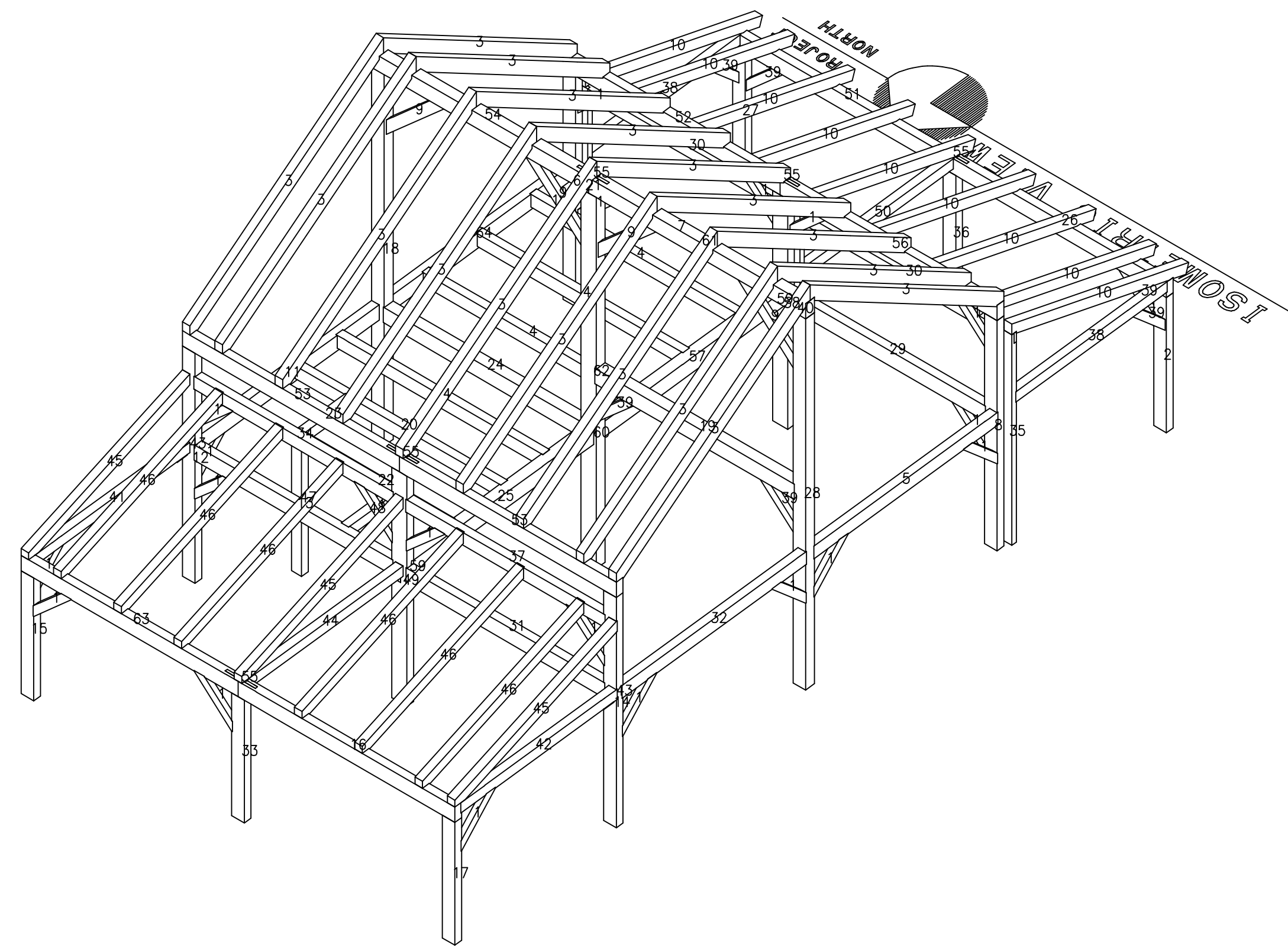


ISOMETRIC VIEW
 PROJECT NORTH

PRESTERO RESIDENCE
 QUINCY, FL



ISOMETRIC VIEW
 PROJECT NORTH



ISOMETRIC VIEW
 PROJECT NORTH

COPYRIGHT LAWS PROHIBIT REPRODUCTION OR USE OF THIS DRAWING, IN WHOLE OR IN PART, WITHOUT THE EXPRESSED WRITTEN PERMISSION OF DW TIMBER FRAME DESIGN

DO NOT SCALE DIMENSIONS ON THESE DRAWINGS. THESE IMAGES ARE MACHINE REPRODUCTIONS AND MAY CONTAIN A MARGIN OF ERROR.

DW TIMBER FRAME DESIGN

CUSTOMER: PRESTERO

DRAWN BY: DEW

DRAWING: ISOMETRIC VIEW

REVISIONS:

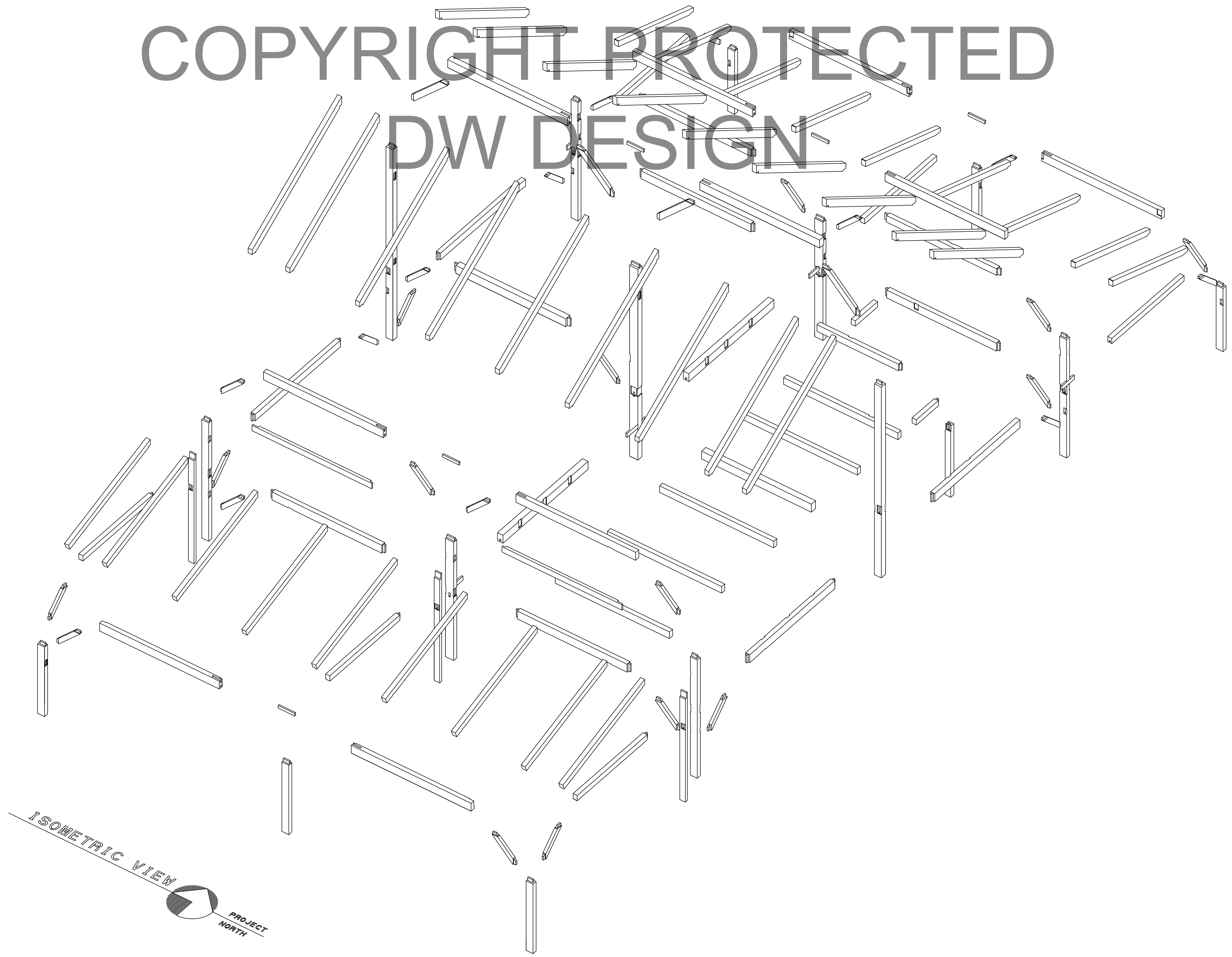
SCALE: NOT TO SCALE DATE: 11/10/19

PROJECT NUMBER:

DRAWING NUMBER:

ISO

COPYRIGHT PROTECTED
DW DESIGN



ISOMETRIC VIEW
PROJECT NORTH

COPYRIGHT LAWS PROHIBIT REPRODUCTION OR USE OF THIS DRAWING, IN WHOLE OR IN PART, WITHOUT THE EXPRESSED WRITTEN PERMISSION OF DW TIMBER FRAME DESIGN

DO NOT SCALE DIMENSIONS ON THESE DRAWINGS. THESE IMAGES ARE MACHINE REPRODUCTIONS AND MAY CONTAIN A MARGIN OF ERROR.

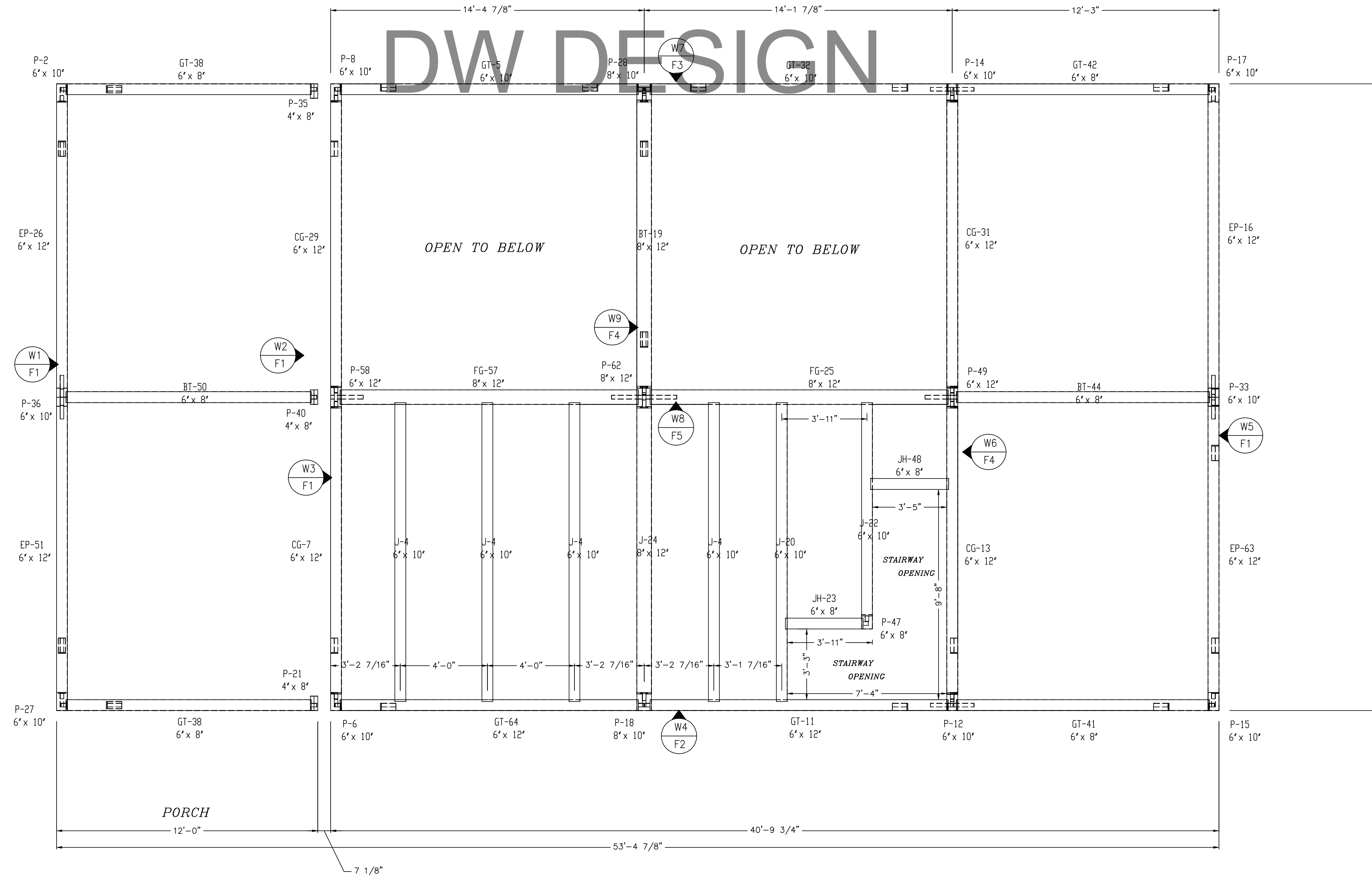
DW TIMBER FRAME DESIGN

CUSTOMER: PRESTERO	DRAWN BY: DEW	DRAWING NUMBER:
DRAWING: ISOMETRIC VIEW	REVISIONS:	XISO
SCALE: NOT TO SCALE DATE: 11/10/19	PROJECT NUMBER:	

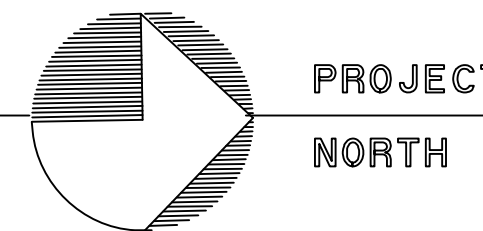
COPYRIGHT PROTECTED

DW DESIGN

- BT = BAY TIE
- CT = COLLAR TIE
- CC = CONNECTING GIRT
- EC = EAVE GIRT
- EP = EAVE PLATE
- FC = FLOOR GIRT
- CT = CABLE TIE
- HB = HAMMER BEAM
- HP = HAMMER POST
- HR = HIP RAFTER
- J = JOIST
- LDC = LEDGER
- KPO = KING POST
- P = POST
- PR = PORCH RAFTER
- PT = PURLIN TIE
- PN = BENT PURLIN
- PLN = PRINCIPLE PURLIN
- R = RAFTER
- RB = RIDGE BEAM
- RPN = RIDGE PURLIN
- S = SILL PLATE
- CB = CENTER BRACE
- B = KNEE BRACE
- VR = VALLEY RAFTER



POST PLAN & WALL KEY



ALL FRAME MEMBERS ARE OF SOUTHERN PINE
(SUBSTITUTE SPECIES WILL BE NOTED)

NOTE: ALL FRAME WALLS ARE VIEWED FROM
OUTSIDE UNLESS NOTED OTHERWISE

COPYRIGHT LAWS PROHIBIT REPRODUCTION OR USE OF THIS DRAWING,
IN WHOLE OR IN PART, WITHOUT THE EXPRESSED WRITTEN PERMISSION
OF DW TIMBER FRAME DESIGN

DO NOT SCALE DIMENSIONS ON THESE
DRAWINGS. THESE IMAGES ARE
MACHINE REPRODUCTIONS AND MAY
CONTAIN A MARGIN OF ERROR.

DW TIMBER FRAME DESIGN

CUSTOMER: PRESTERO

DRAWN BY: DEW

DRAWING: POST PLAN, WALL KEY

REVISIONS:

SCALE: 3/8" = 1' - 0"

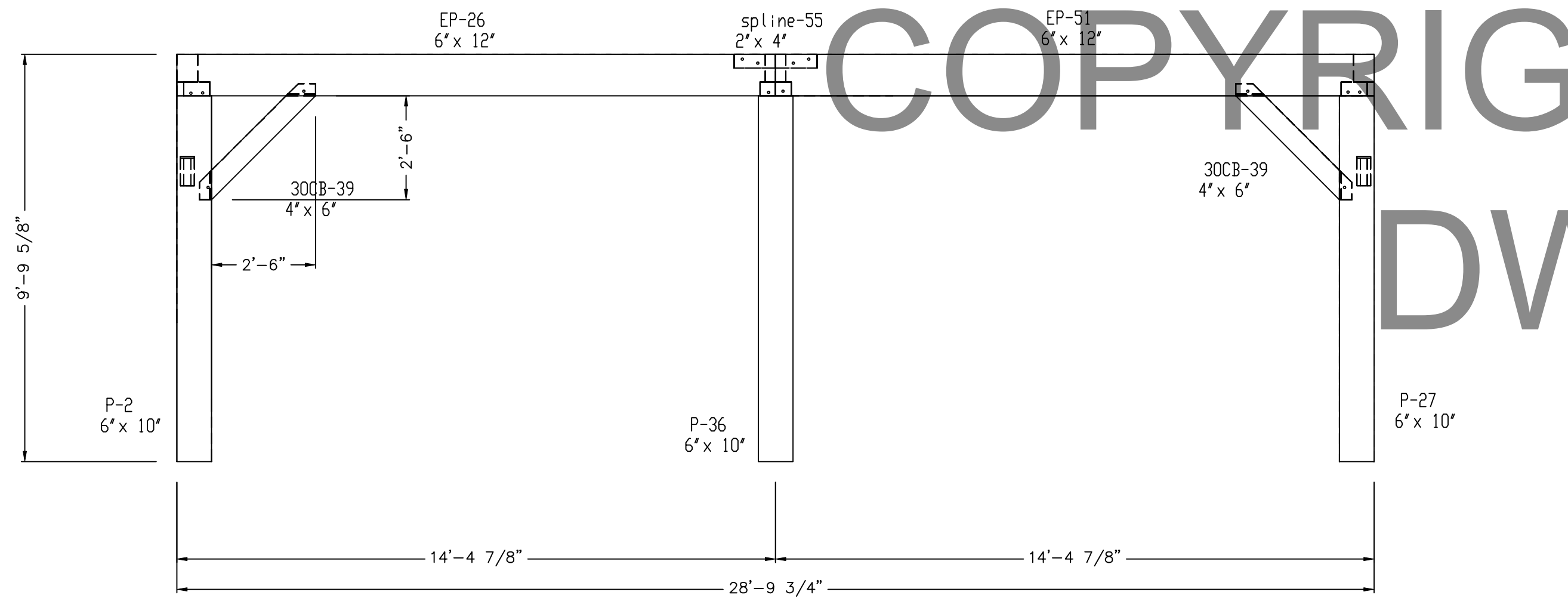
DATE: 11/10/19

PROJECT NUMBER:

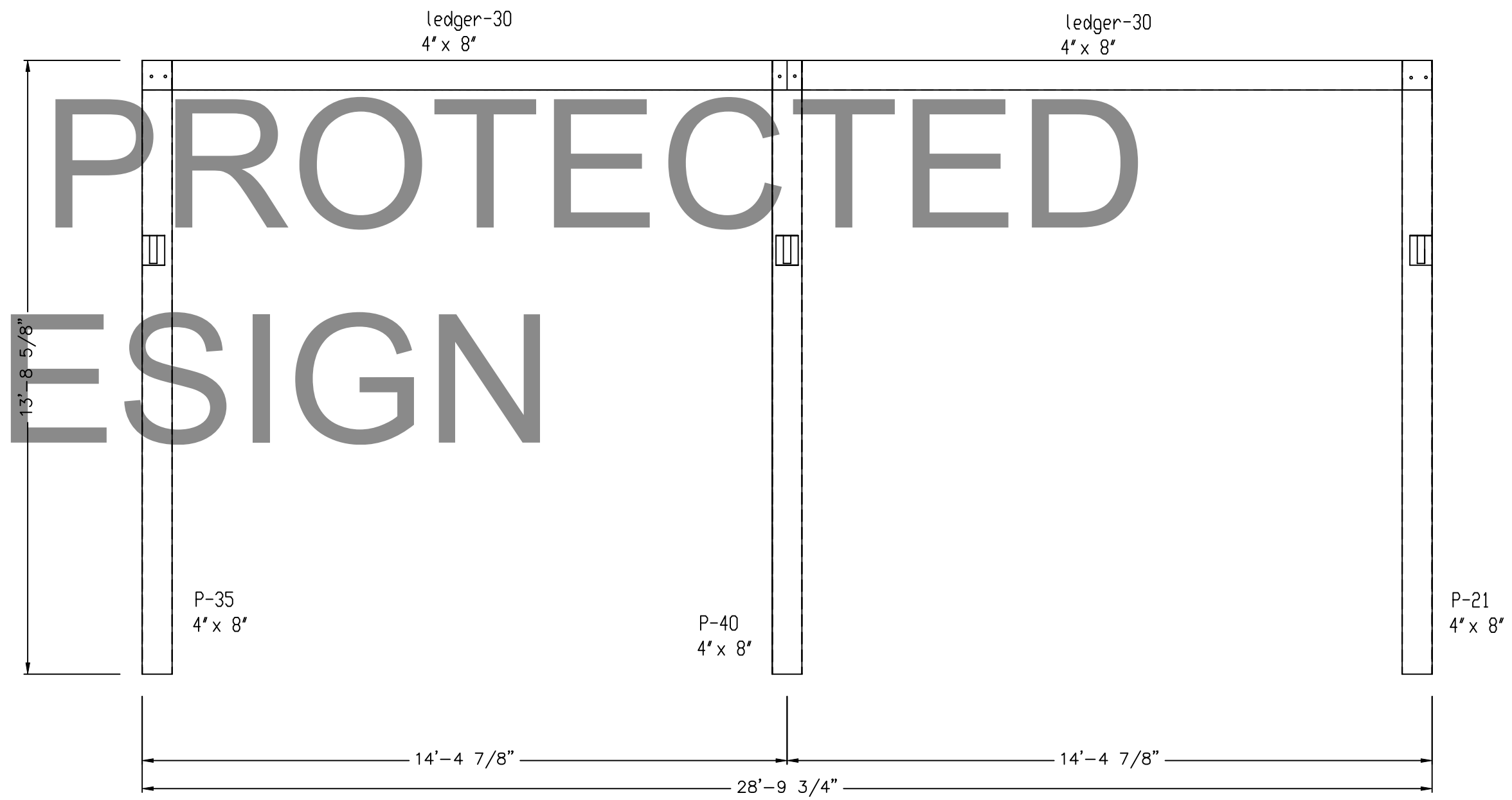
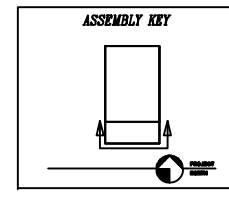
DRAWING
NUMBER:

PP

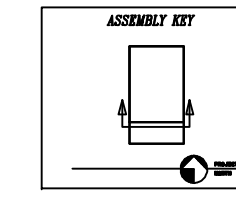
COPYRIGHT PROTECTED
DW DESIGN



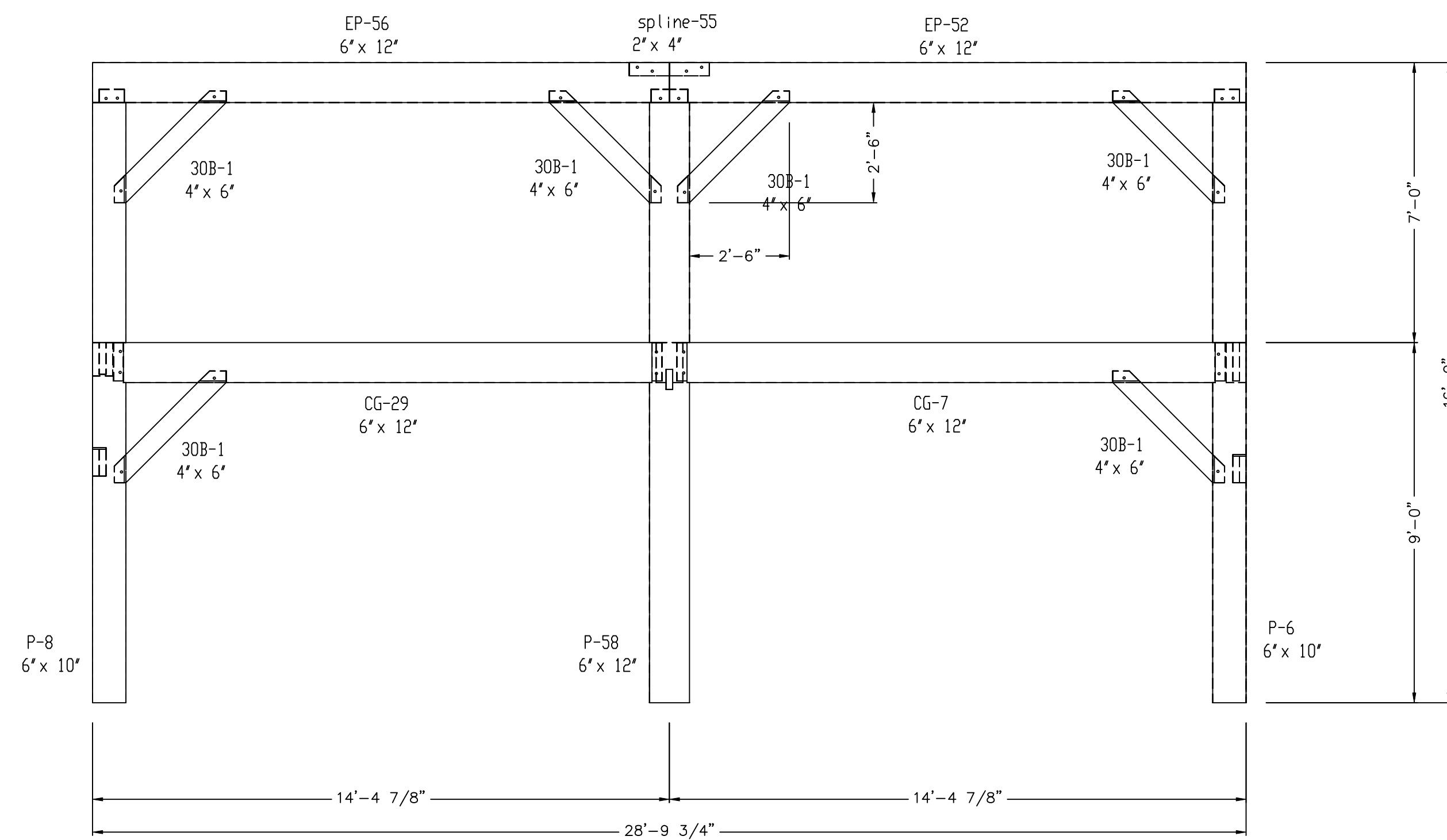
*PORCH WALL 1
SOUTH ELEVATION*



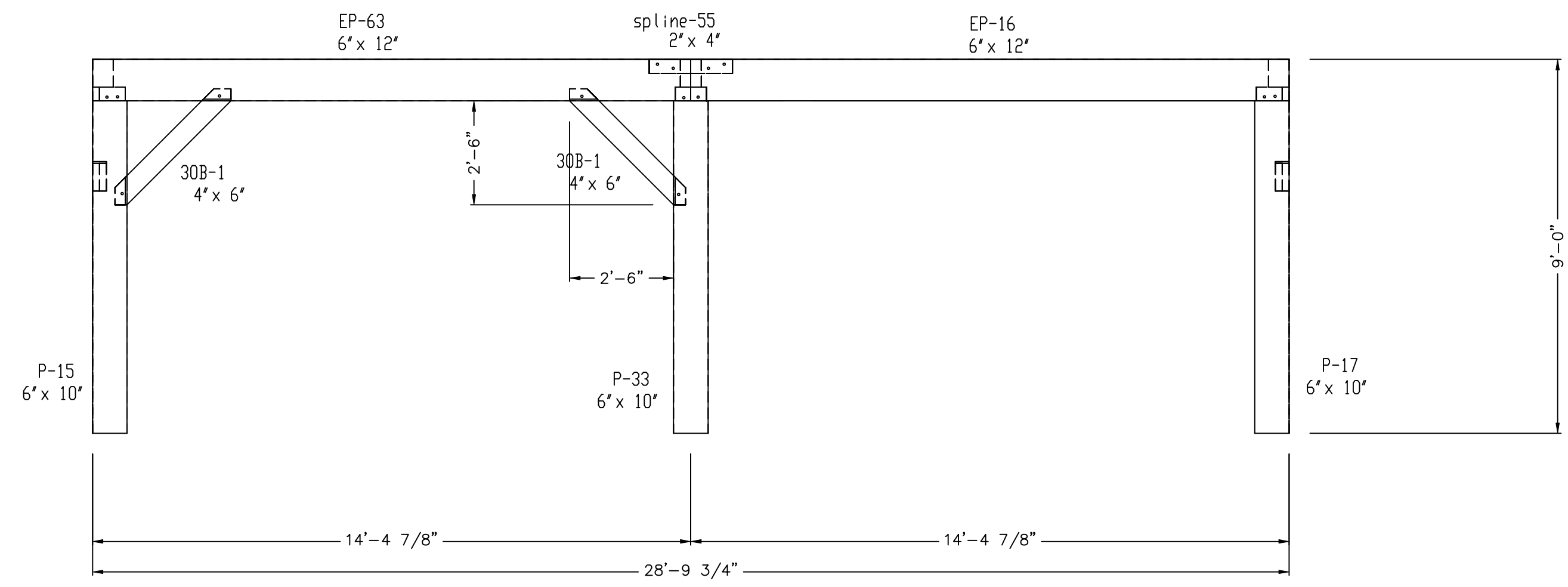
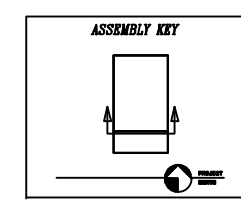
*LEDGER WALL 2
VIEWED FROM SOUTH*



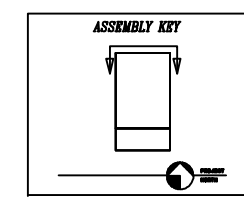
- BT = BAY TIE
- CT = COLLAR TIE
- CC = CONNECTING GIRT
- EC = EAVE GIRT
- EP = EAVE PLATE
- FC = FLOOR GIRT
- GT = GABLE TIE
- HB = HAMMER BEAM
- HP = HAMMER POST
- HR = HIP RAFTER
- J = JOIST
- LDC = LEDGER
- KPO = KING POST
- P = POST
- PR = PORCH RAFTER
- PT = PURLIN TIE
- PN = BENT PURLIN
- PLN = PRINCIPLE PURLIN
- R = RAFTER
- RB = RIDGE BEAM
- RPN = RIDGE PURLIN
- S = SILL PLATE
- CB = CENTER BRACE
- B = KNEE BRACE
- VR = VALLEY RAFTER



*WALL 3
VIEWED FROM SOUTH*



*WALL 5
NORTH ELEVATION*



ALL FRAME MEMBERS ARE OF SOUTHERN PINE
(SUBSTITUTE SPECIES WILL BE NOTED)

NOTE: ALL FRAME WALLS ARE VIEWED FROM
OUTSIDE UNLESS NOTED OTHERWISE

COPYRIGHT LAWS PROHIBIT REPRODUCTION OR USE OF THIS DRAWING,
IN WHOLE OR IN PART, WITHOUT THE EXPRESSED WRITTEN PERMISSION
OF DW TIMBER FRAME DESIGN

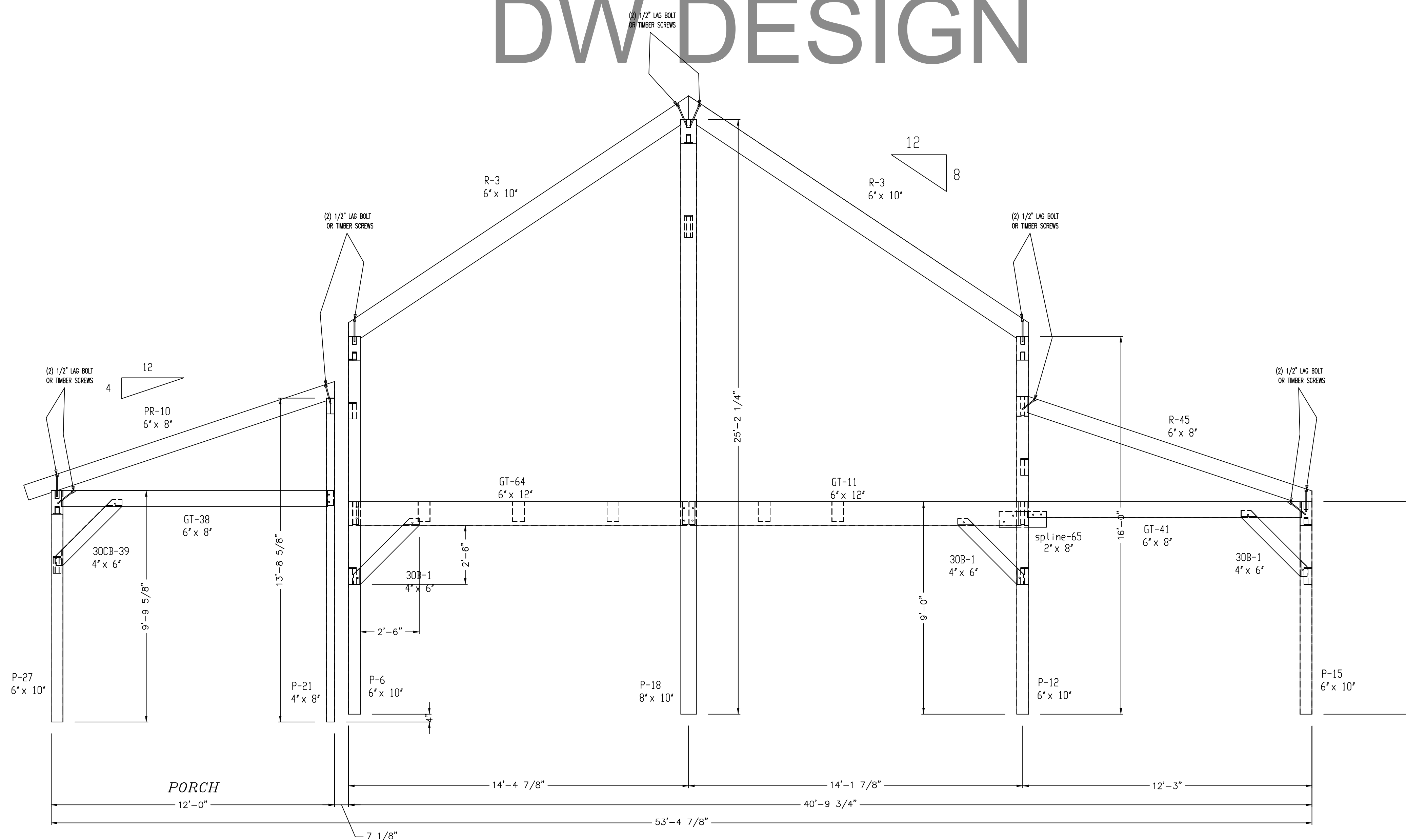
DO NOT SCALE DIMENSIONS ON THESE
DRAWINGS. THESE IMAGES ARE
MACHINE REPRODUCTIONS AND MAY
CONTAIN A MARGIN OF ERROR.

DW TIMBER FRAME DESIGN

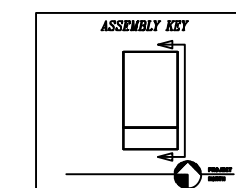
CUSTOMER: PRESTERO	DRAWN BY: DEW	DRAWING NUMBER:
DRAWING: WALL 1, 2, 3, 5	REVISIONS:	F1
SCALE: 3/8" = 1' - 0"	DATE: 11/10/19	

COPYRIGHT PROTECTED DW DESIGN

- BT = BAY TIE
- CT = COLLAR TIE
- CC = CONNECTING GIRT
- EC = EAVE GIRT
- EP = EAVE PLATE
- FC = FLOOR GIRT
- GT = GABLE TIE
- HB = HAMMER BEAM
- HP = HAMMER POST
- HR = HIP RAFTER
- J = JOIST
- LDC = LEDGER
- KPO = KING POST
- P = POST
- PR = PORCH RAFTER
- PT = PURLIN TIE
- PN = BENT PURLIN
- PLN = PRINCIPLE PURLIN
- R = RAFTER
- RB = RIDGE BEAM
- RPN = RIDGE PURLIN
- S = SILL PLATE
- CB = CENTER BRACE
- B = KNEE BRACE
- VR = VALLEY RAFTER



WALL 4
EAST ELEVATION



ALL FRAME MEMBERS ARE OF SOUTHERN PINE
(SUBSTITUTE SPECIES WILL BE NOTED)

NOTE: ALL FRAME WALLS ARE VIEWED FROM
OUTSIDE UNLESS NOTED OTHERWISE

COPYRIGHT LAWS PROHIBIT REPRODUCTION OR USE OF THIS DRAWING,
IN WHOLE OR IN PART, WITHOUT THE EXPRESSED WRITTEN PERMISSION
OF DW TIMBER FRAME DESIGN

DO NOT SCALE DIMENSIONS ON THESE
DRAWINGS. THESE IMAGES ARE
MACHINE REPRODUCTIONS AND MAY
CONTAIN A MARGIN OF ERROR.

DW TIMBER FRAME DESIGN

CUSTOMER: PRESTERO

DRAWN BY: DEW

DRAWING
NUMBER:

DRAWING: WALL 4

REVISIONS:

F2

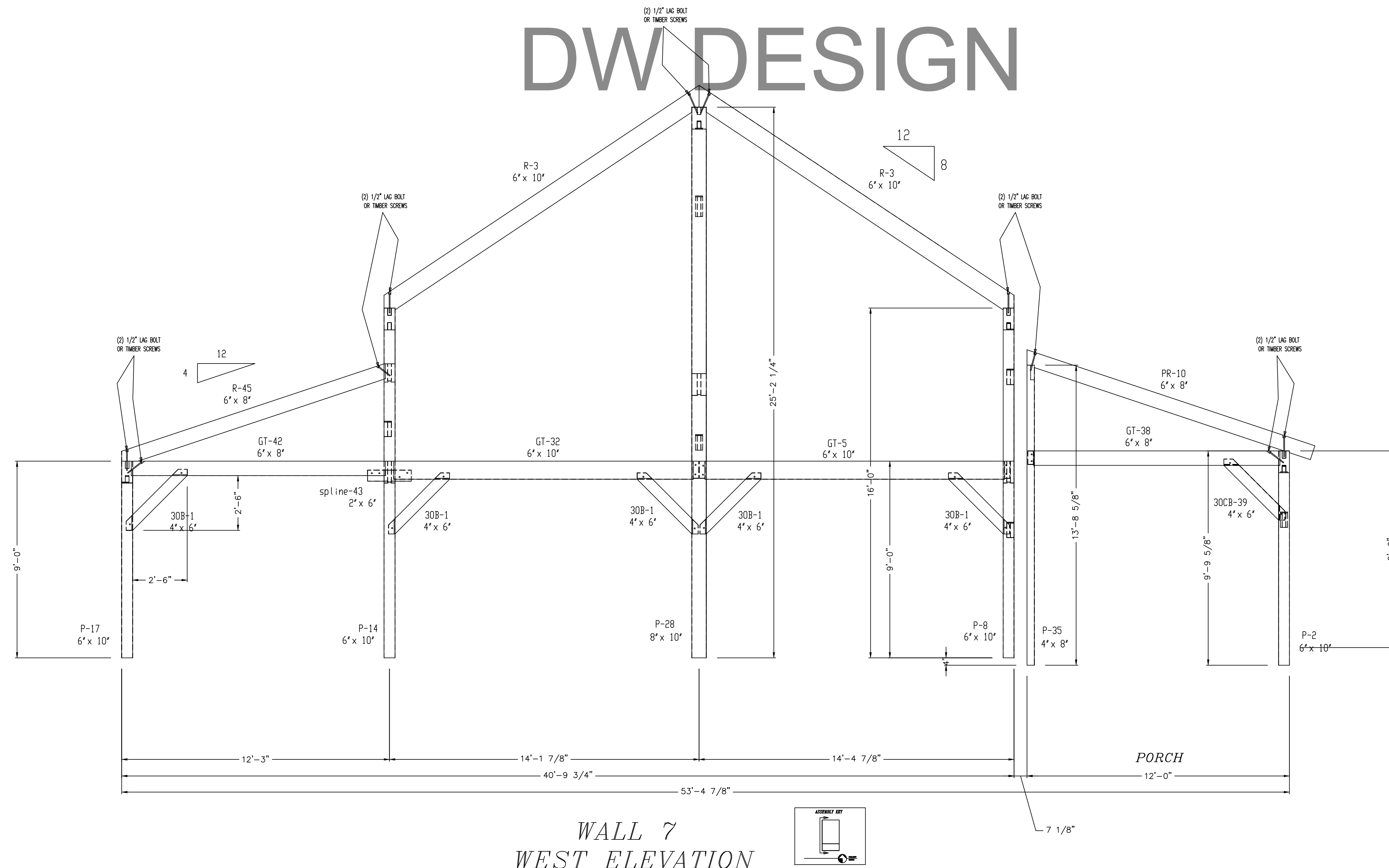
SCALE: 3/8" = 1' - 0"

DATE: 11/10/19

PROJECT NUMBER:

COPYRIGHT PROTECTED DW DESIGN

- BT = BAY TIE
- CT = COLLAR TIE
- CC = CONNECTING GIRT
- EG = EAVE GIRT
- EP = EAVE PLATE
- FG = FLOOR GIRT
- GT = GABLE TIE
- HB = HAMMER BEAM
- HP = HAMMER POST
- HR = HIP RAFTER
- J = JOIST
- LDC = LEDGER
- KPO = KING POST
- P = POST
- PR = PORCH RAFTER
- PT = PURLIN TIE
- PN = BENT PURLIN
- PLN = PRINCIPLE PURLIN
- R = RAFTER
- RB = RIDGE BEAM
- RPN = RIDGE PURLIN
- S = SILL PLATE
- CB = CENTER BRACE
- B = KNEE BRACE
- VR = VALLEY RAFTER



WALL 7
WEST ELEVATION

ALL FRAME MEMBERS ARE OF SOUTHERN PINE
(SUBSTITUTE SPECIES WILL BE NOTED)

NOTE: ALL FRAME WALLS ARE VIEWED FROM
OUTSIDE UNLESS NOTED OTHERWISE

COPYRIGHT LAWS PROHIBIT REPRODUCTION OR USE OF THIS DRAWING,
IN WHOLE OR IN PART, WITHOUT THE EXPRESSED WRITTEN PERMISSION
OF DW TIMBER FRAME DESIGN

DO NOT SCALE DIMENSIONS ON THESE
DRAWINGS. THESE IMAGES ARE
MACHINE REPRODUCTIONS AND MAY
CONTAIN A MARGIN OF ERROR.

DW TIMBER FRAME DESIGN

CUSTOMER: PRESTERO

DRAWN BY: DEW

DRAWING NUMBER:

DRAWING: WALL 7

REVISIONS:

F3

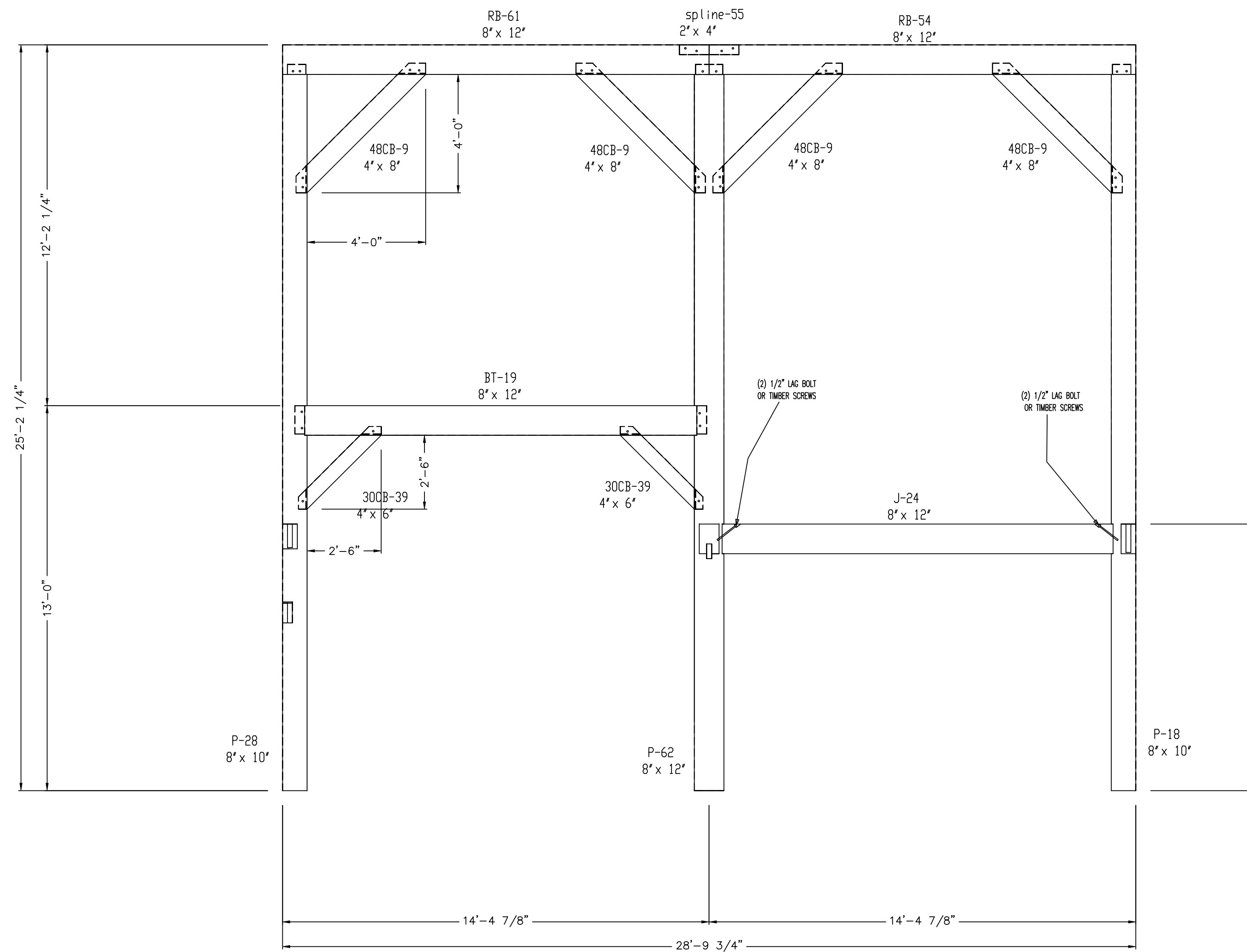
SCALE: 3/8" = 1' - 0"

DATE: 11/10/19

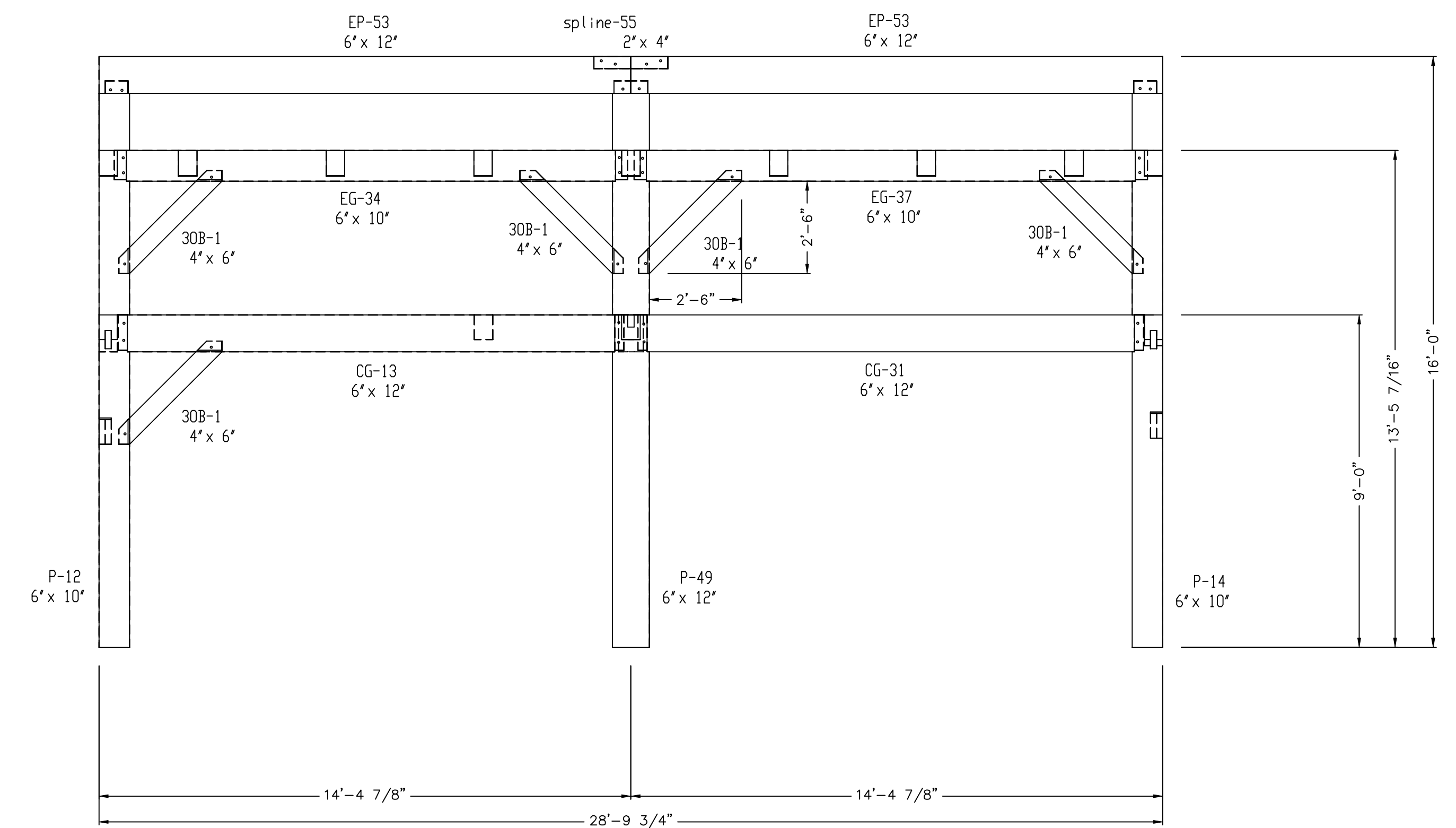
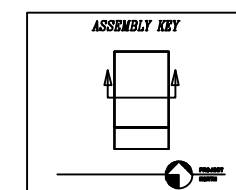
PROJECT NUMBER:

COPYRIGHT PROTECTED DW DESIGN

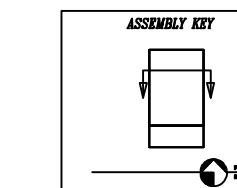
- BT = BAY TIE
- CT = COLLAR TIE
- CC = CONNECTING GIRT
- EG = EAVE GIRT
- EP = EAVE PLATE
- FG = FLOOR GIRT
- GT = GABLE TIE
- HB = HAMMER BEAM
- HP = HAMMER POST
- HR = HIP RAFTER
- J = JOIST
- LDC = LEDGER
- KPO = KING POST
- P = POST
- PR = PORCH RAFTER
- PT = PURLIN TIE
- PN = BENT PURLIN
- PLN = PRINCIPLE PURLIN
- R = RAFTER
- RB = RIDGE BEAM
- RPN = RIDGE PURLIN
- S = SILL PLATE
- CB = CENTER BRACE
- B = KNEE BRACE
- VR = VALLEY RAFTER



WALL 9
RIDGE BEAM
VIEWED FROM SOUTH



WALL 6
VIEWED FROM NORTH



ALL FRAME MEMBERS ARE OF SOUTHERN PINE
(SUBSTITUTE SPECIES WILL BE NOTED)

NOTE: ALL FRAME WALLS ARE VIEWED FROM
OUTSIDE UNLESS NOTED OTHERWISE

COPYRIGHT LAWS PROHIBIT REPRODUCTION OR USE OF THIS DRAWING,
IN WHOLE OR IN PART, WITHOUT THE EXPRESSED WRITTEN PERMISSION
OF DW TIMBER FRAME DESIGN

DO NOT SCALE DIMENSIONS ON THESE
DRAWINGS. THESE IMAGES ARE
MACHINE REPRODUCTIONS AND MAY
CONTAIN A MARGIN OF ERROR.

DW TIMBER FRAME DESIGN

CUSTOMER: PRESTERO

DRAWN BY: DEW

DRAWING
NUMBER:

DRAWING: WALL 6, 9

REVISIONS:

F4

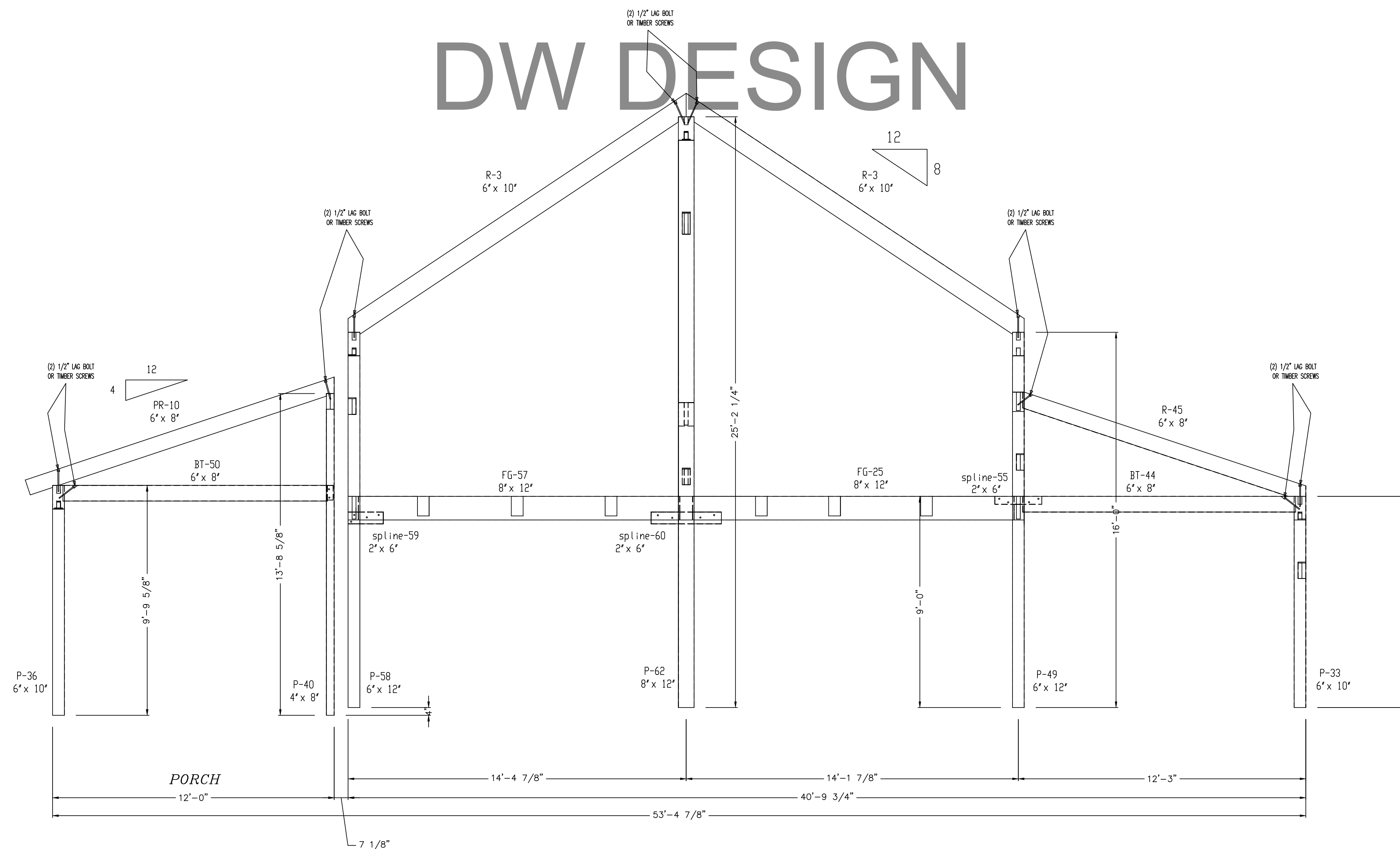
SCALE: 3/8" = 1' - 0"

DATE: 11/10/19

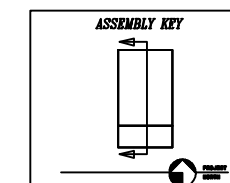
PROJECT NUMBER:

COPYRIGHT PROTECTED DW DESIGN

- BT = BAY TIE
- CT = COLLAR TIE
- CC = CONNECTING GIRT
- EG = EAVE GIRT
- EP = EAVE PLATE
- FG = FLOOR GIRT
- GT = GABLE TIE
- HB = HAMMER BEAM
- HP = HAMMER POST
- HR = HIP RAFTER
- J = JOIST
- LDC = LEDGER
- KPO = KING POST
- P = POST
- PR = PORCH RAFTER
- PT = PURLIN TIE
- PN = BENT PURLIN
- PLN = PRINCIPLE PURLIN
- R = RAFTER
- RB = RIDGE BEAM
- RPN = RIDGE PURLIN
- S = SILL PLATE
- CB = CENTER BRACE
- B = KNEE BRACE
- VR = VALLEY RAFTER



WALL 8
VIEWED FROM EAST



ALL FRAME MEMBERS ARE OF SOUTHERN PINE
(SUBSTITUTE SPECIES WILL BE NOTED)

NOTE: ALL FRAME WALLS ARE VIEWED FROM
OUTSIDE UNLESS NOTED OTHERWISE

COPYRIGHT LAWS PROHIBIT REPRODUCTION OR USE OF THIS DRAWING,
IN WHOLE OR IN PART, WITHOUT THE EXPRESSED WRITTEN PERMISSION
OF DW TIMBER FRAME DESIGN

DO NOT SCALE DIMENSIONS ON THESE
DRAWINGS. THESE IMAGES ARE
MACHINE REPRODUCTIONS AND MAY
CONTAIN A MARGIN OF ERROR.

DW TIMBER FRAME DESIGN

CUSTOMER: PRESTERO

DRAWN BY: DEW

DRAWING
NUMBER:

DRAWING: WALL 8

REVISIONS:

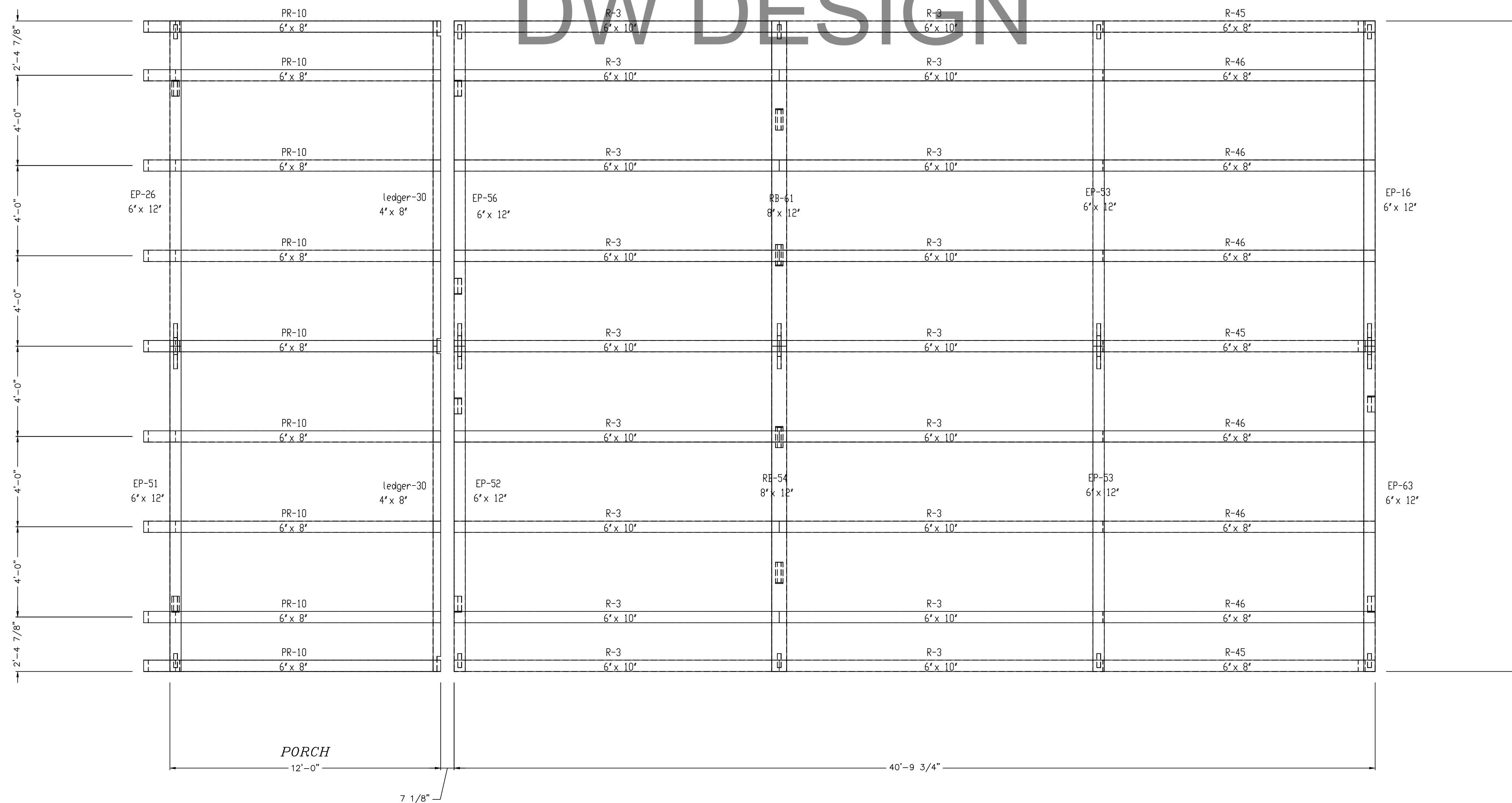
F5

SCALE: 3/8" = 1' - 0"

DATE: 11/10/19

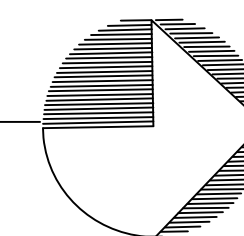
PROJECT NUMBER:

COPYRIGHT PROTECTED DW DESIGN



- BT = BAY TIE
- CT = COLLAR TIE
- CC = CONNECTING GIRT
- EC = EAVE GIRT
- EP = EAVE PLATE
- FC = FLOOR GIRT
- GT = GABLE TIE
- HB = HAMMER BEAM
- HP = HAMMER POST
- HR = HIP RAFTER
- J = JOIST
- LDC = LEDGER
- KPO = KING POST
- P = POST
- PR = PORCH RAFTER
- PT = PURLIN TIE
- PN = BENT PURLIN
- PLN = PRINCIPLE PURLIN
- R = RAFTER
- RB = RIDGE BEAM
- RPN = RIDGE PURLIN
- S = SILL PLATE
- CB = CENTER BRACE
- B = KNEE BRACE
- VR = VALLEY RAFTER

ROOF SYSTEM



PROJECT
NORTH

ALL FRAME MEMBERS ARE OF SOUTHERN PINE
(SUBSTITUTE SPECIES WILL BE NOTED)

NOTE: ALL FRAME WALLS ARE VIEWED FROM
OUTSIDE UNLESS NOTED OTHERWISE

COPYRIGHT LAWS PROHIBIT REPRODUCTION OR USE OF THIS DRAWING,
IN WHOLE OR IN PART, WITHOUT THE EXPRESSED WRITTEN PERMISSION
OF DW TIMBER FRAME DESIGN

DO NOT SCALE DIMENSIONS ON THESE
DRAWINGS. THESE IMAGES ARE
MACHINE REPRODUCTIONS AND MAY
CONTAIN A MARGIN OF ERROR.

DW TIMBER FRAME DESIGN

CUSTOMER: PRESTERO

DRAWN BY: DEW

DRAWING
NUMBER:

DRAWING: ROOF SYSTEM

REVISIONS:

F6

SCALE: 3/8" = 1' - 0"

DATE: 11/10/19

PROJECT NUMBER: