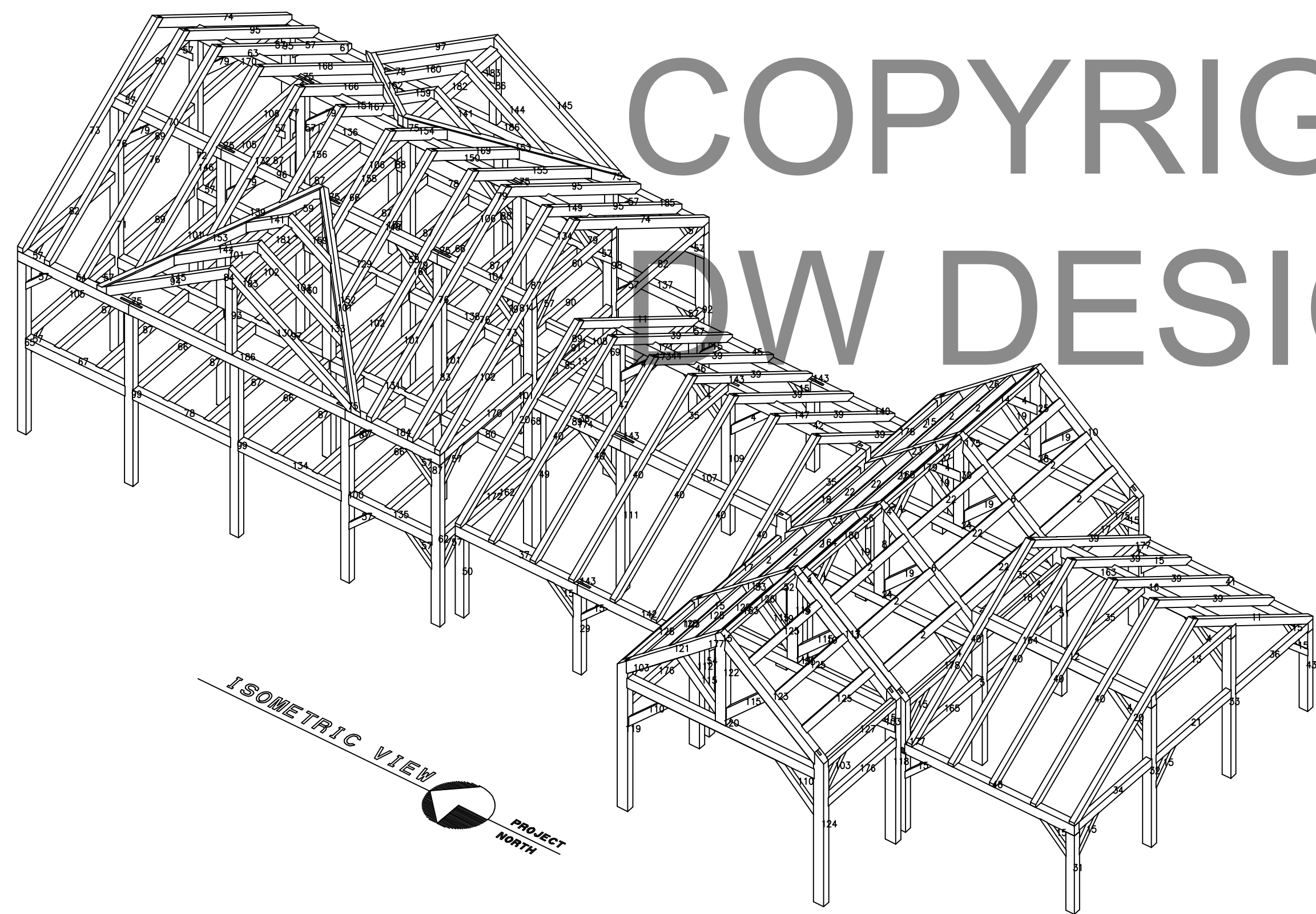
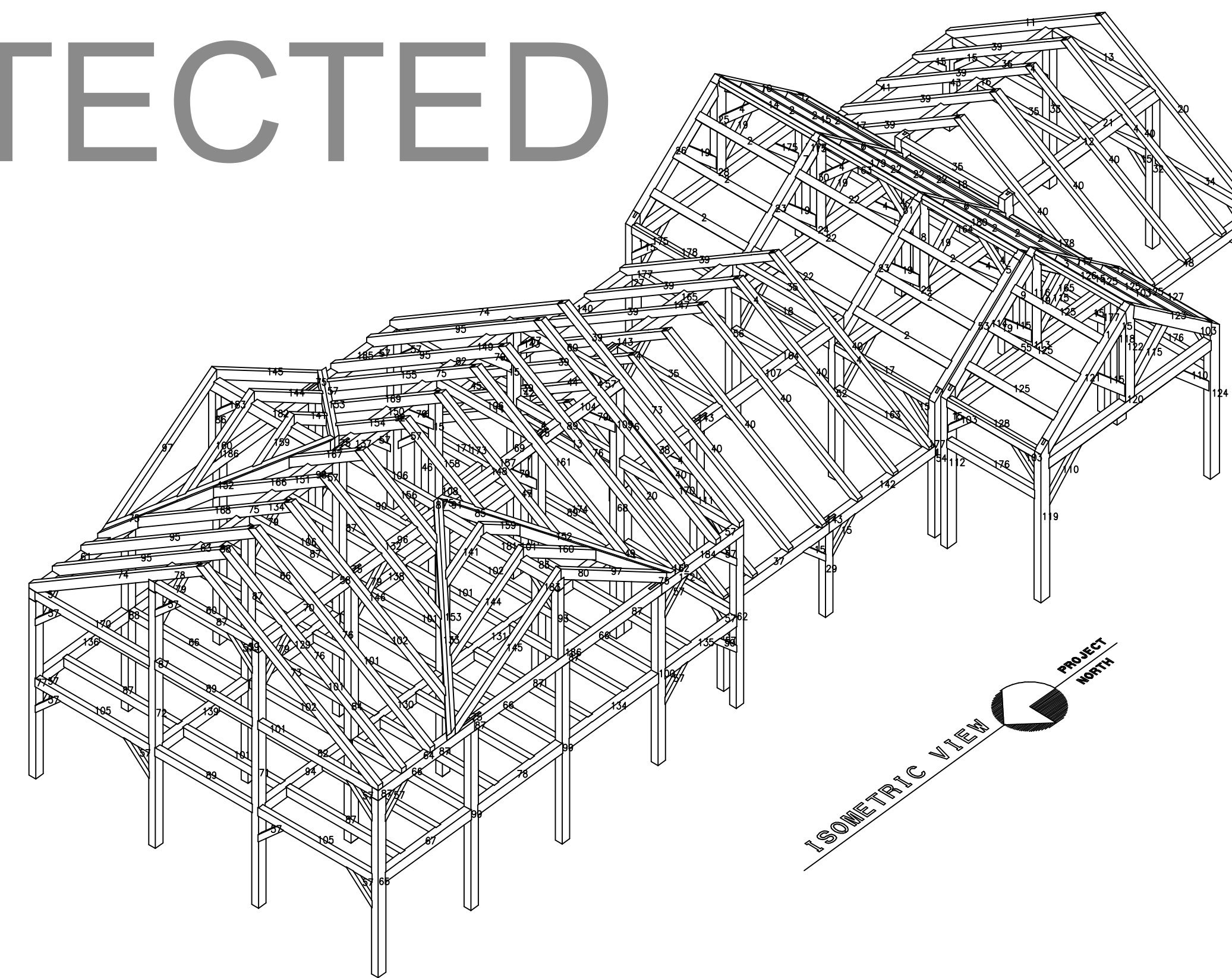


# COPYRIGHT PROTECTED DW DESIGN

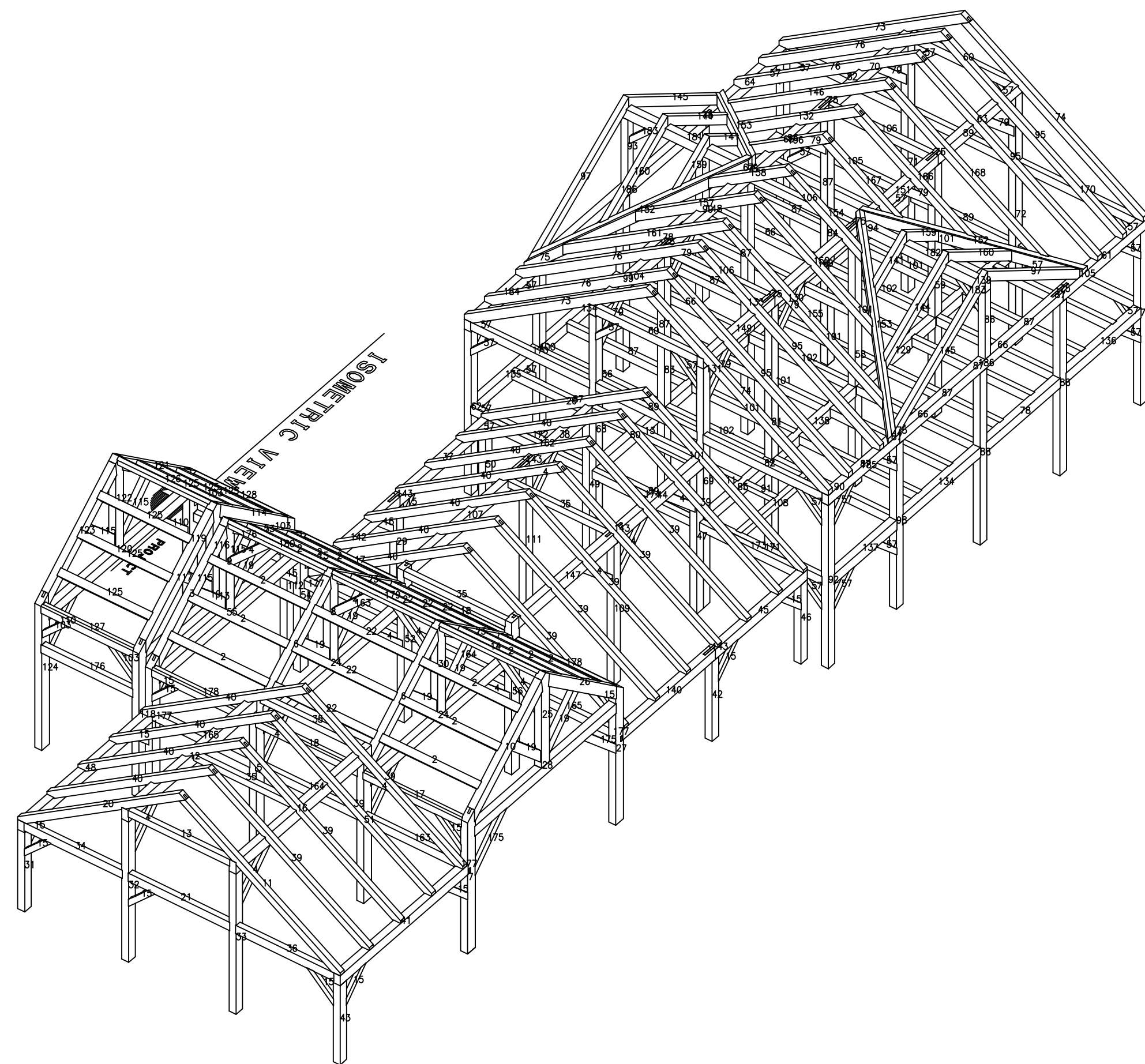


ISOMETRIC VIEW  
PROJECT NORTH

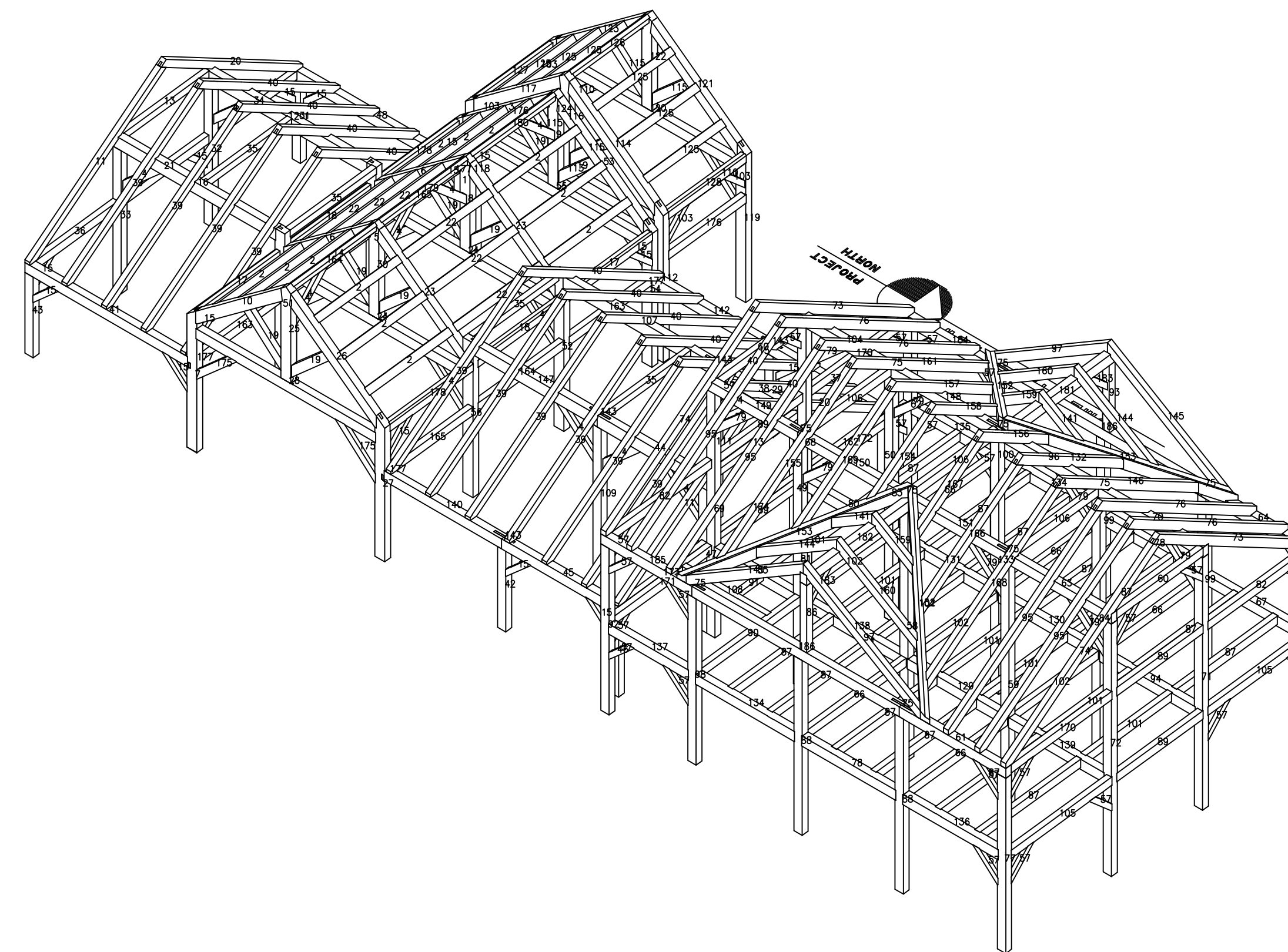


ISOMETRIC VIEW  
PROJECT NORTH

*BOLDUC RESIDENCE  
FAIRFIELD, VT*



ISOMETRIC VIEW  
PROJECT NORTH



ISOMETRIC VIEW  
PROJECT NORTH

COPYRIGHT LAWS PROHIBIT REPRODUCTION OR USE OF THIS DRAWING, IN WHOLE OR IN PART, WITHOUT THE EXPRESSED WRITTEN PERMISSION OF DW TIMBER FRAME DESIGN

DO NOT SCALE DIMENSIONS ON THESE DRAWINGS. THESE IMAGES ARE MACHINE REPRODUCTIONS AND MAY CONTAIN A MARGIN OF ERROR.

**DW TIMBER FRAME DESIGN**

CUSTOMER: BOLDUC

DRAWN BY: DEW

DRAWING: ISOMETRIC VIEW

REVISIONS:

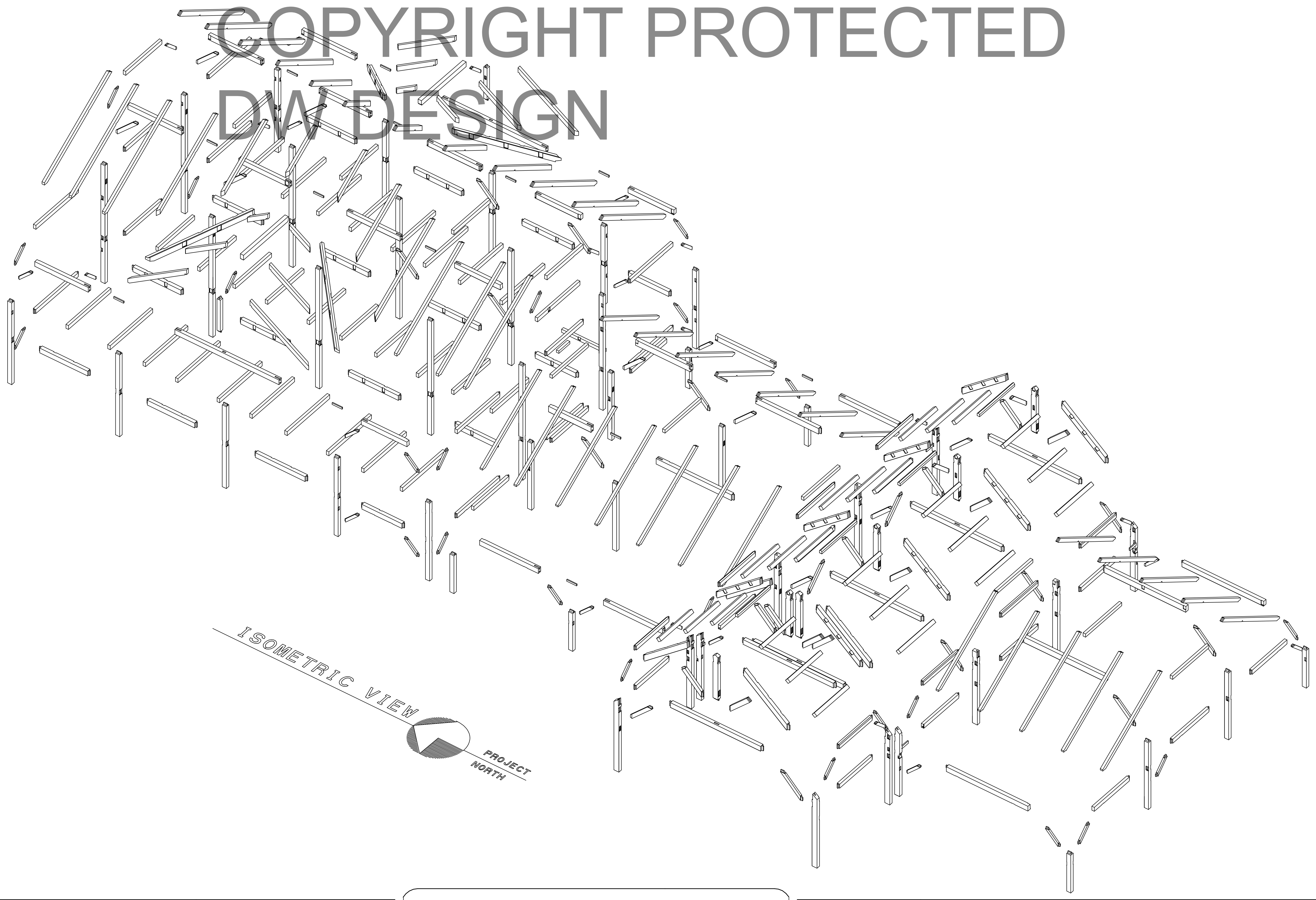
SCALE: NOT TO SCALE DATE: 7/27/19

PROJECT NUMBER:

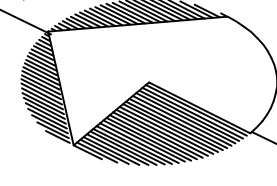
DRAWING NUMBER:

ISO

# COPYRIGHT PROTECTED DW DESIGN



ISOMETRIC VIEW



PROJECT  
NORTH

COPYRIGHT LAWS PROHIBIT REPRODUCTION OR USE OF THIS DRAWING, IN WHOLE OR IN PART, WITHOUT THE EXPRESSED WRITTEN PERMISSION OF DW TIMBER FRAME DESIGN

DO NOT SCALE DIMENSIONS ON THESE DRAWINGS. THESE IMAGES ARE MACHINE REPRODUCTIONS AND MAY CONTAIN A MARGIN OF ERROR.

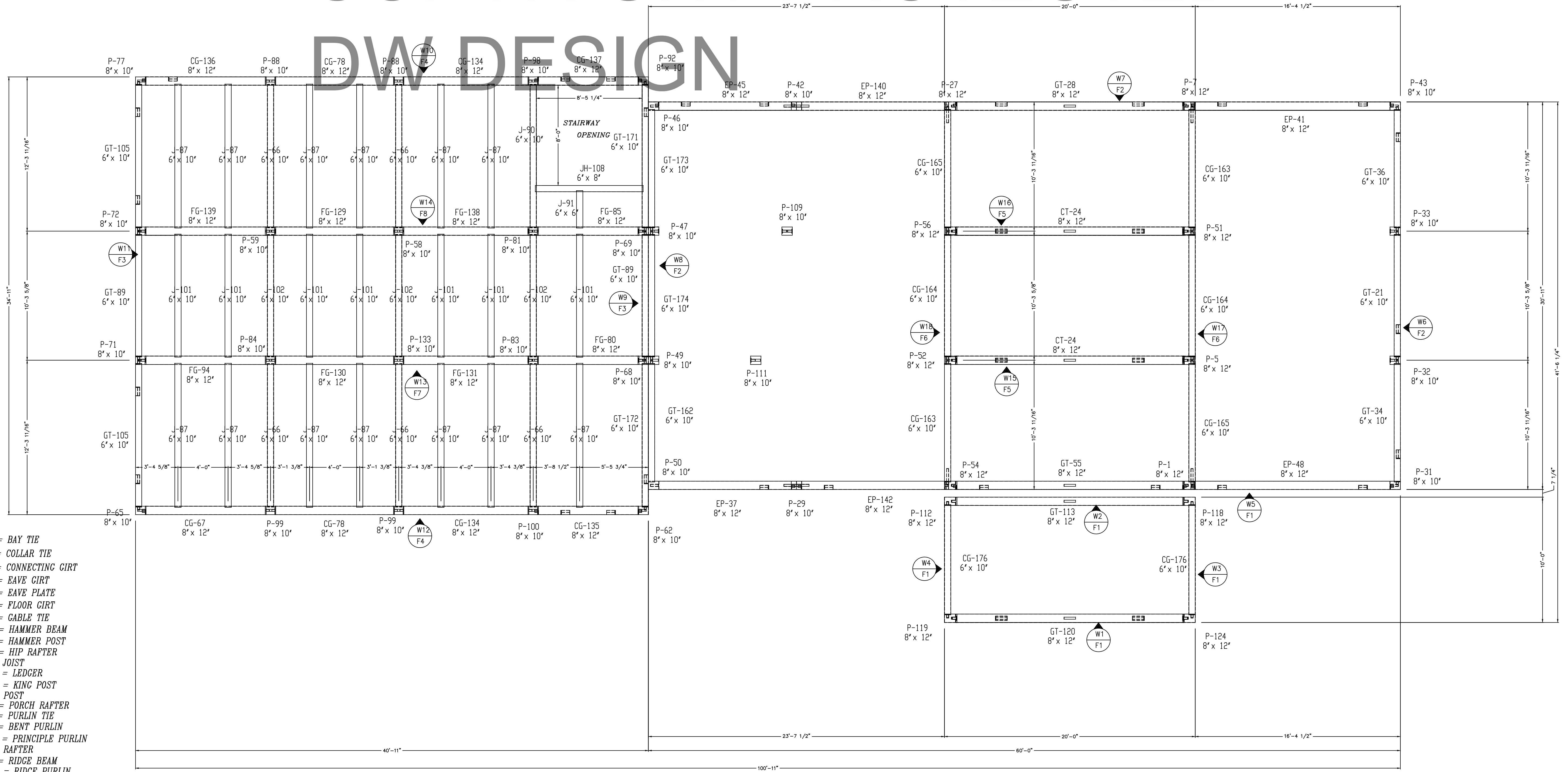
**DW TIMBER FRAME DESIGN**

CUSTOMER: BOLDUC	DRAWN BY: DEW	DRAWING NUMBER: <i>XISO</i>
DRAWING: ISOMETRIC VIEW	REVISIONS:	
SCALE: NOT TO SCALE DATE: 7/27/19	PROJECT NUMBER:	



# COPYRIGHT PROTECTED

## DW DESIGN



- BT = BAY TIE
- CT = COLLAR TIE
- CC = CONNECTING GIRT
- EC = EAVE GIRT
- EP = EAVE PLATE
- FG = FLOOR GIRT
- CT = CABLE TIE
- HB = HAMMER BEAM
- HP = HAMMER POST
- HR = HIP RAFTER
- J = JOIST
- LDC = LEDGER
- KPO = KING POST
- P = POST
- PR = PORCH RAFTER
- PT = PURLIN TIE
- PN = BENT PURLIN
- PLN = PRINCIPLE PURLIN
- R = RAFTER
- RB = RIDGE BEAM
- RPN = RIDGE PURLIN
- S = SILL PLATE
- CB = CENTER BRACE
- B = KNEE BRACE
- VR = VALLEY RAFTER

POST PLAN & WALL KEY PROJECT NORTH

ALL FRAME MEMBERS ARE OF EASTERN HEMLOCK  
(SUBSTITUTE SPECIES WILL BE NOTED)

NOTE: ALL FRAME WALLS ARE VIEWED FROM  
OUTSIDE UNLESS NOTED OTHERWISE

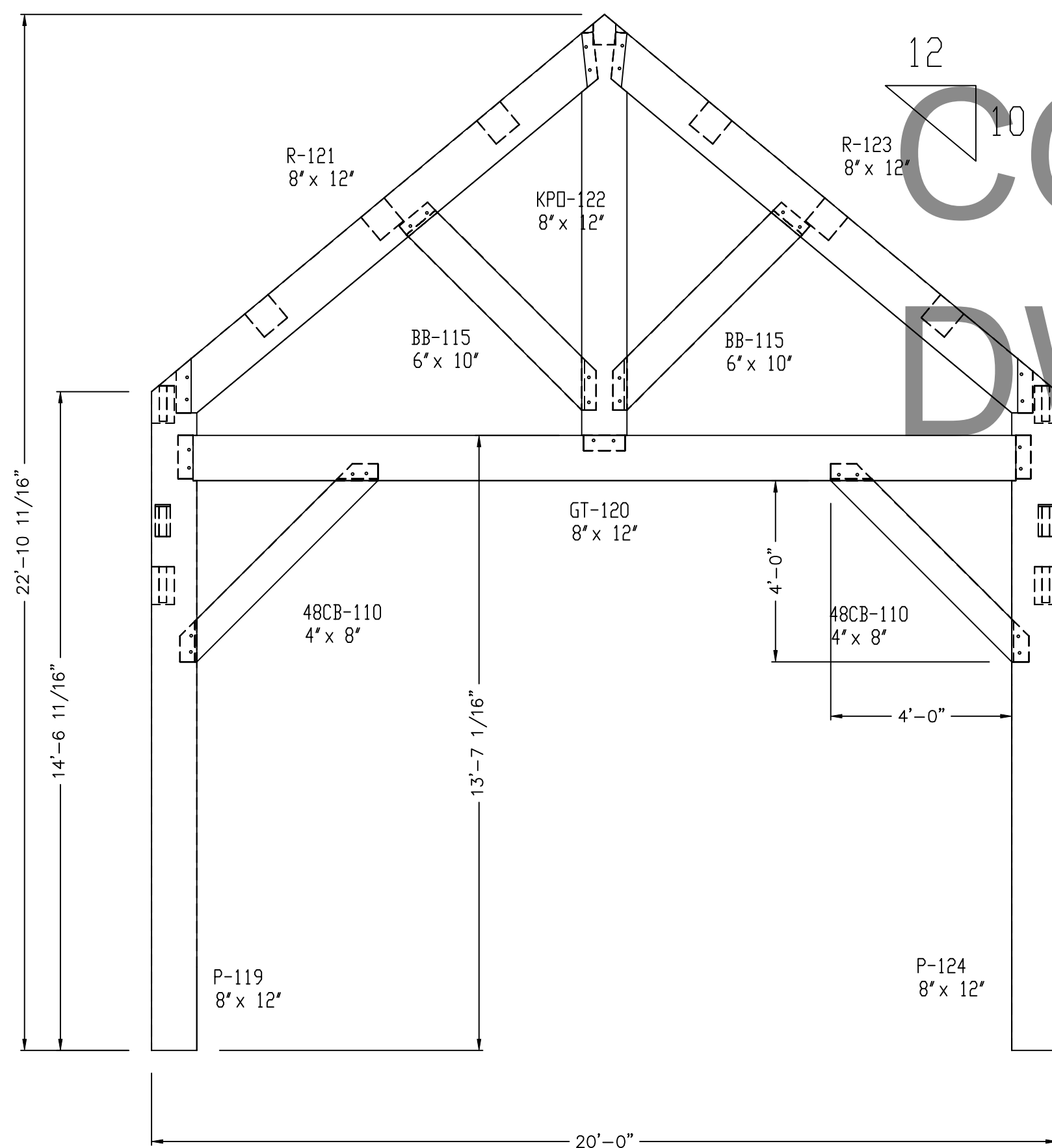
COPYRIGHT LAWS PROHIBIT REPRODUCTION OR USE OF THIS DRAWING, IN WHOLE OR IN PART, WITHOUT THE EXPRESSED WRITTEN PERMISSION OF DW TIMBER FRAME DESIGN

DO NOT SCALE DIMENSIONS ON THESE DRAWINGS. THESE IMAGES ARE MACHINE REPRODUCTIONS AND MAY CONTAIN A MARGIN OF ERROR.

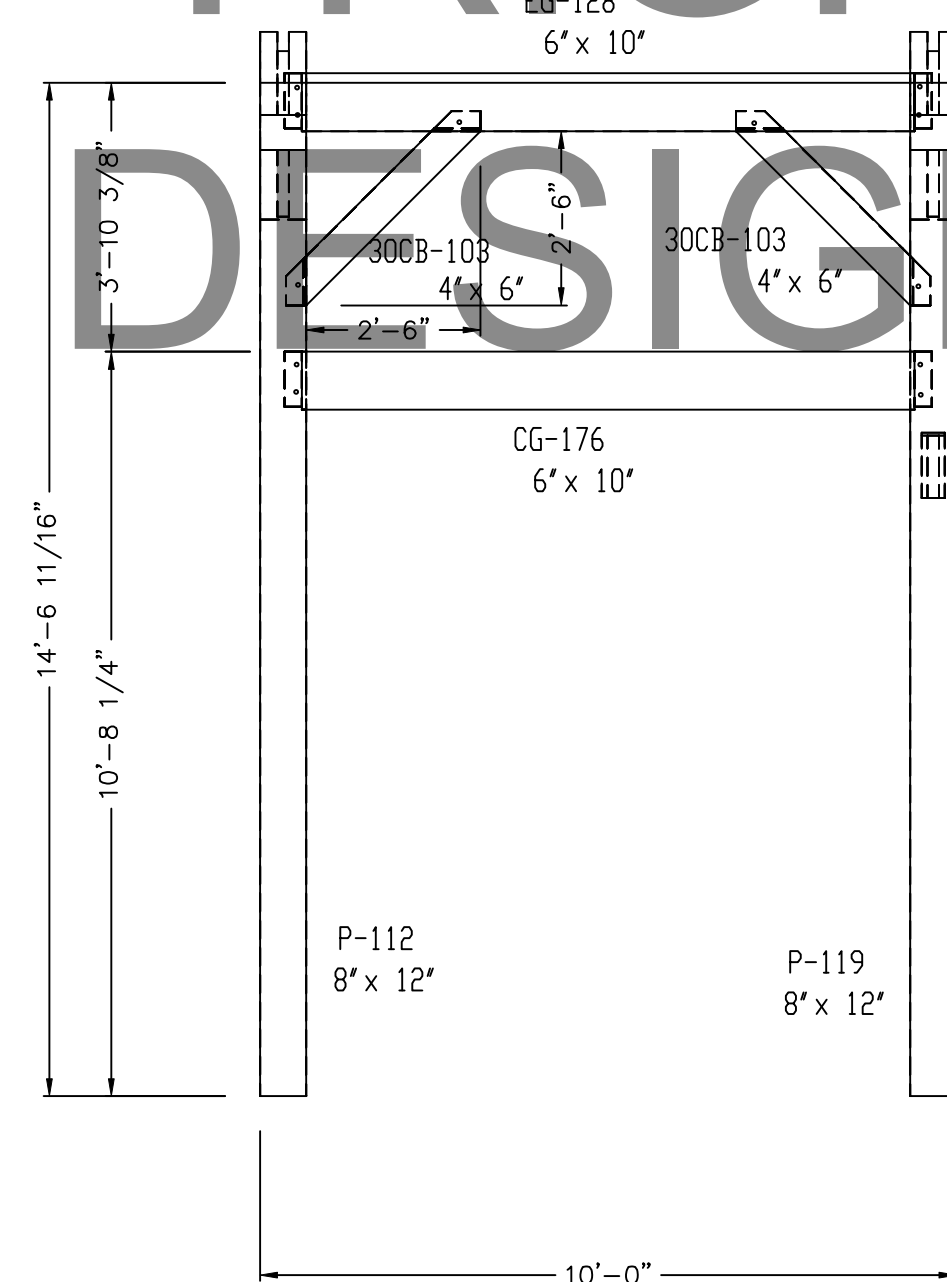
### DW TIMBER FRAME DESIGN

CUSTOMER: BOLDUC	DRAWN BY: DEW	DRAWING NUMBER:  <b>PP</b>
DRAWING: POST PLAN, WALL KEY	REVISIONS:	
SCALE: 1/4" = 1' - 0"	DATE: 7/27/19 PROJECT NUMBER:	

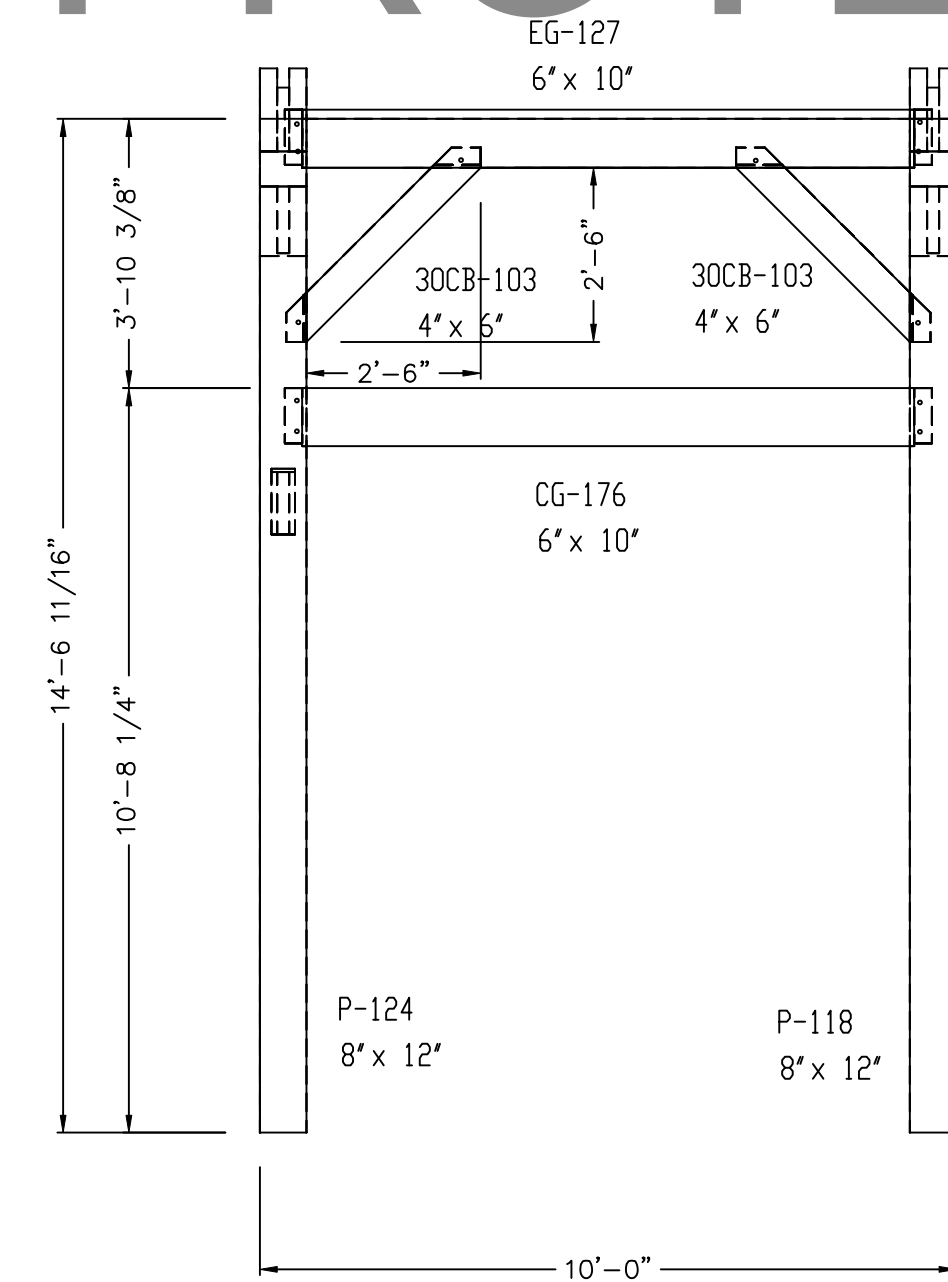
COPYRIGHT PROTECTED  
DW DESIGN



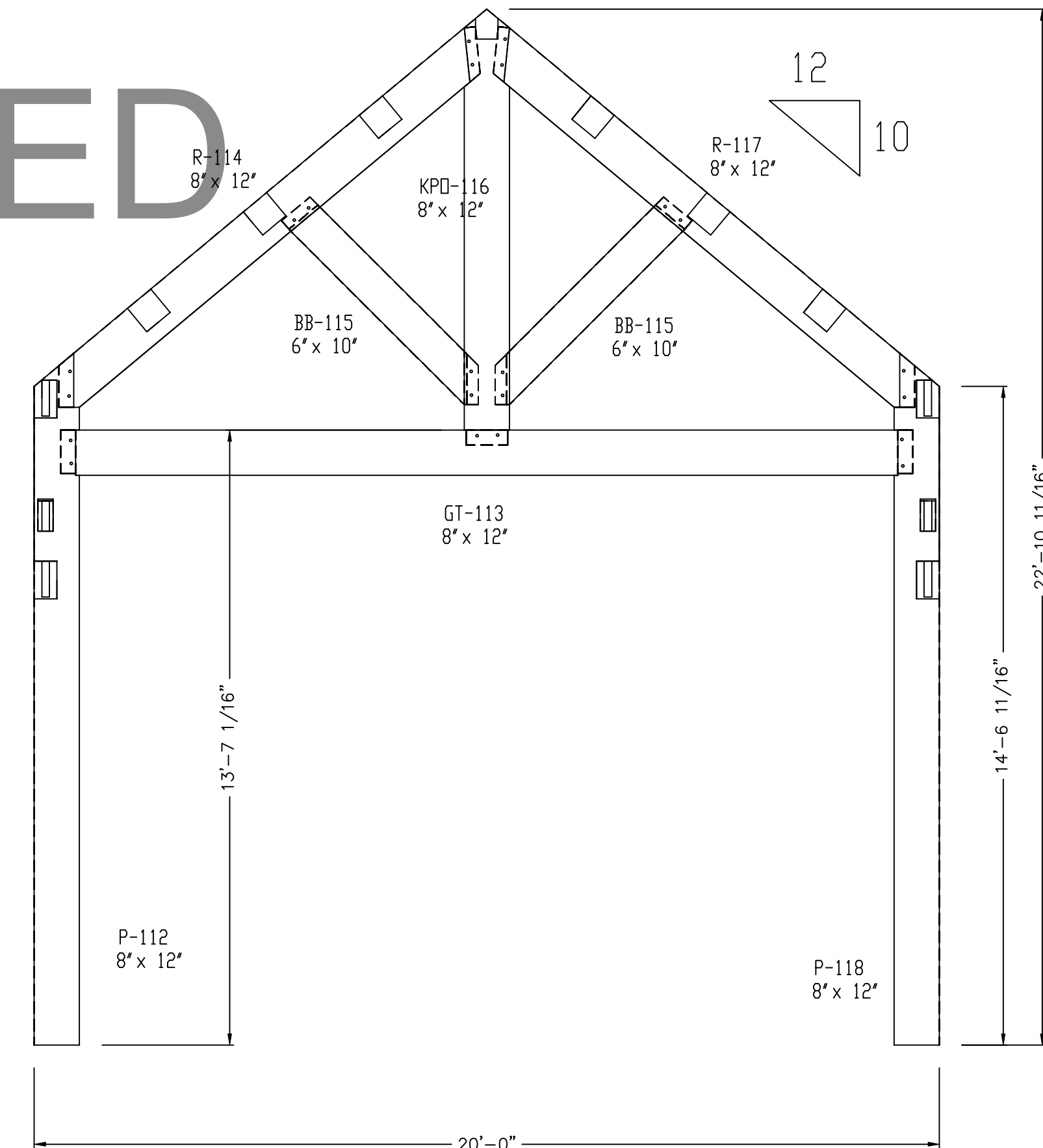
ENTRY WALL 1  
WEST ELEVATION



ENTRY WALL 4  
NORTH ELEVATION



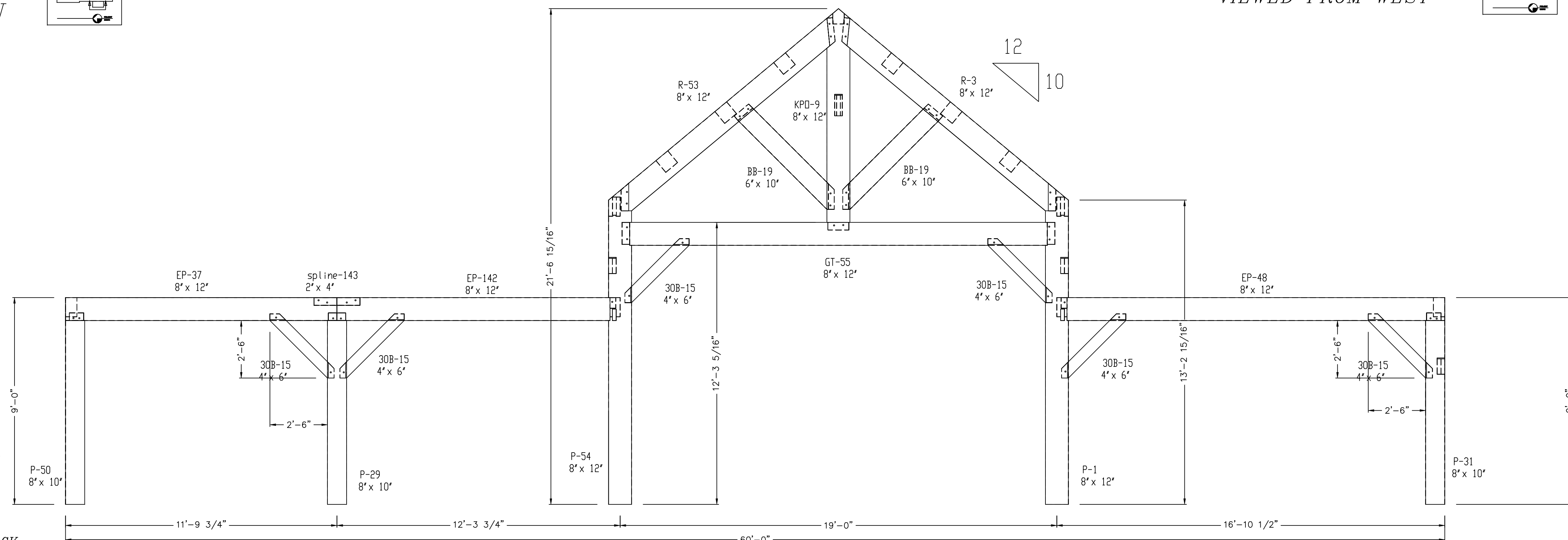
ENTRY WALL 3  
SOUTH ELEVATION



ENTRY WALL 2  
VIEWED FROM WEST

- BT = BAY TIE
- CT = COLLAR TIE
- CC = CONNECTING GIRT
- EG = EAVE GIRT
- EP = EAVE PLATE
- FC = FLOOR GIRT
- CT = CABLE TIE
- HB = HAMMER BEAM
- HP = HAMMER POST
- HR = HIP RAFTER
- J = JOIST
- LDC = LEDGER
- KPO = KING POST
- P = POST
- PR = PORCH RAFTER
- PT = PURLIN TIE
- PN = BENT PURLIN
- PLN = PRINCIPLE PURLIN
- R = RAFTER
- RB = RIDGE BEAM
- RPN = RIDGE PURLIN
- S = SILL PLATE
- CB = CENTER BRACE
- B = KNEE BRACE
- VR = VALLEY RAFTER

WALL 5  
WEST ELEVATION



ALL FRAME MEMBERS ARE OF EASTERN HEMLOCK  
(SUBSTITUTE SPECIES WILL BE NOTED)

NOTE: ALL FRAME WALLS ARE VIEWED FROM  
OUTSIDE UNLESS NOTED OTHERWISE

COPYRIGHT LAWS PROHIBIT REPRODUCTION OR USE OF THIS DRAWING,  
IN WHOLE OR IN PART, WITHOUT THE EXPRESSED WRITTEN PERMISSION  
OF DW TIMBER FRAME DESIGN

DO NOT SCALE DIMENSIONS ON THESE  
DRAWINGS. THESE IMAGES ARE  
MACHINE REPRODUCTIONS AND MAY  
CONTAIN A MARGIN OF ERROR.

**DW TIMBER FRAME DESIGN**

CUSTOMER: BOLDUC

DRAWN BY: DEW

DRAWING NUMBER:

DRAWING: WALL 1 - 5

REVISIONS:

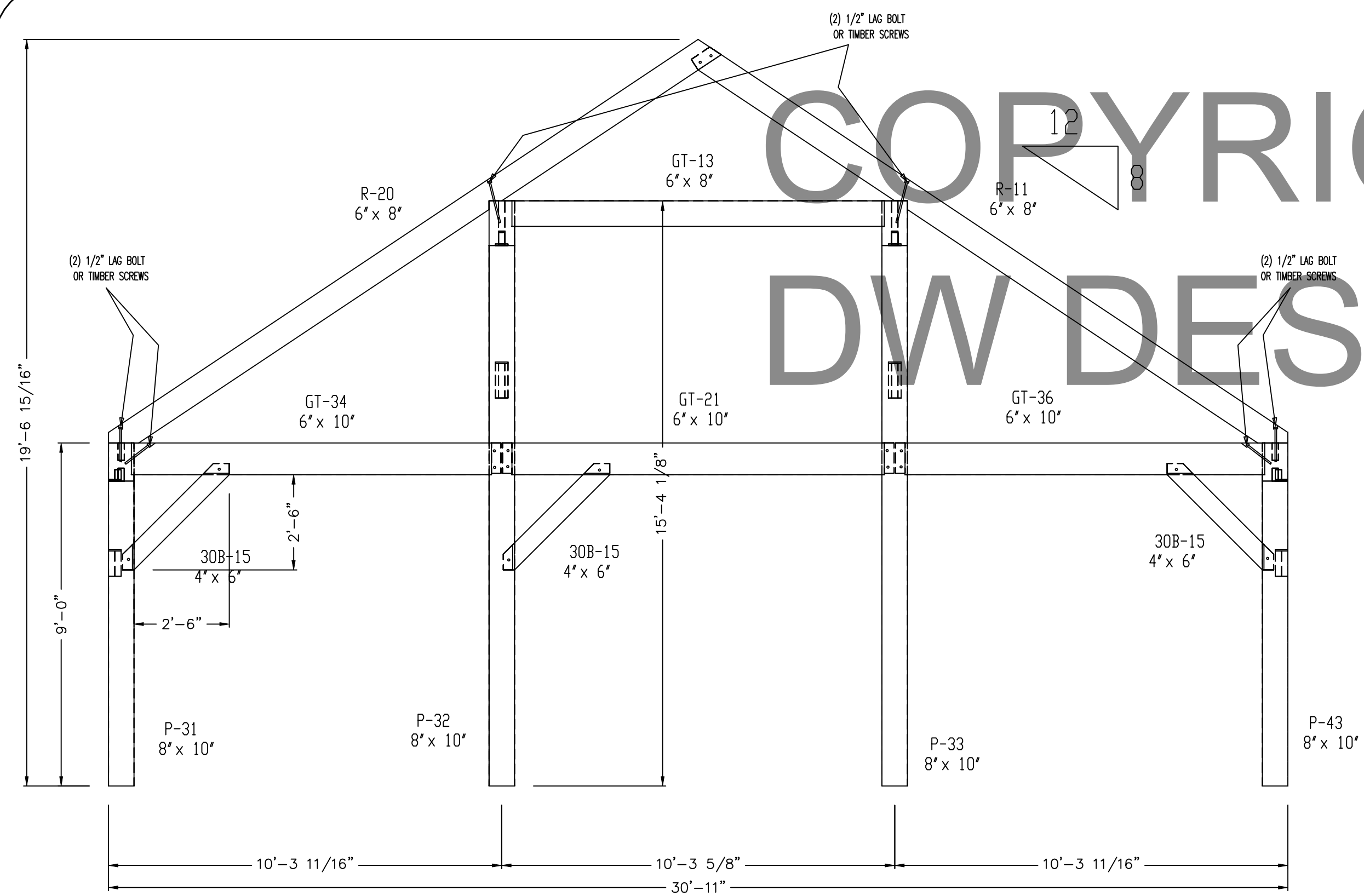
F1

SCALE: 3/8" = 1' - 0"

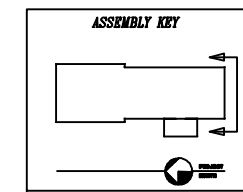
DATE: 7/27/19

PROJECT NUMBER:

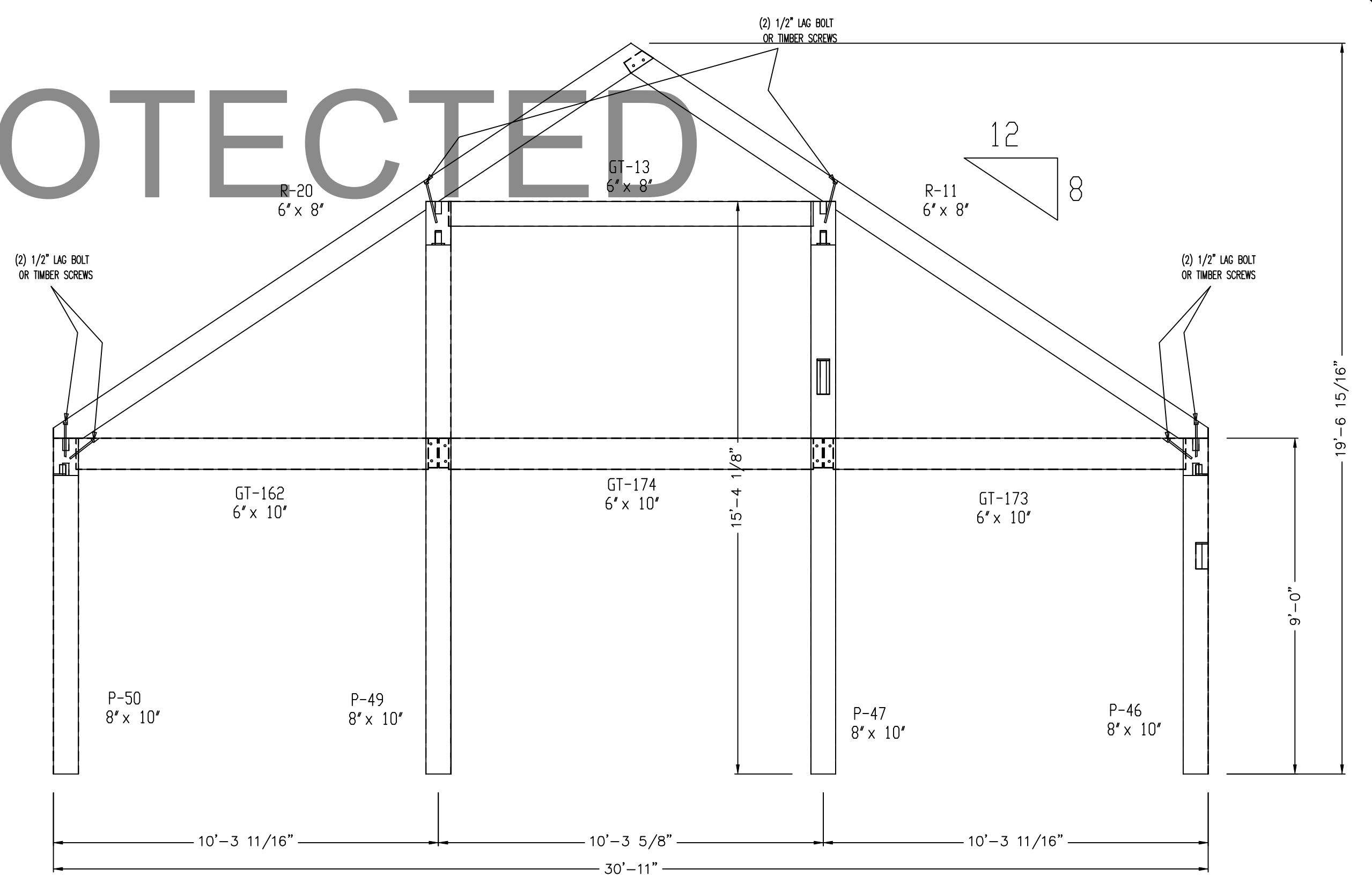
COPYRIGHT PROTECTED  
DW DESIGN



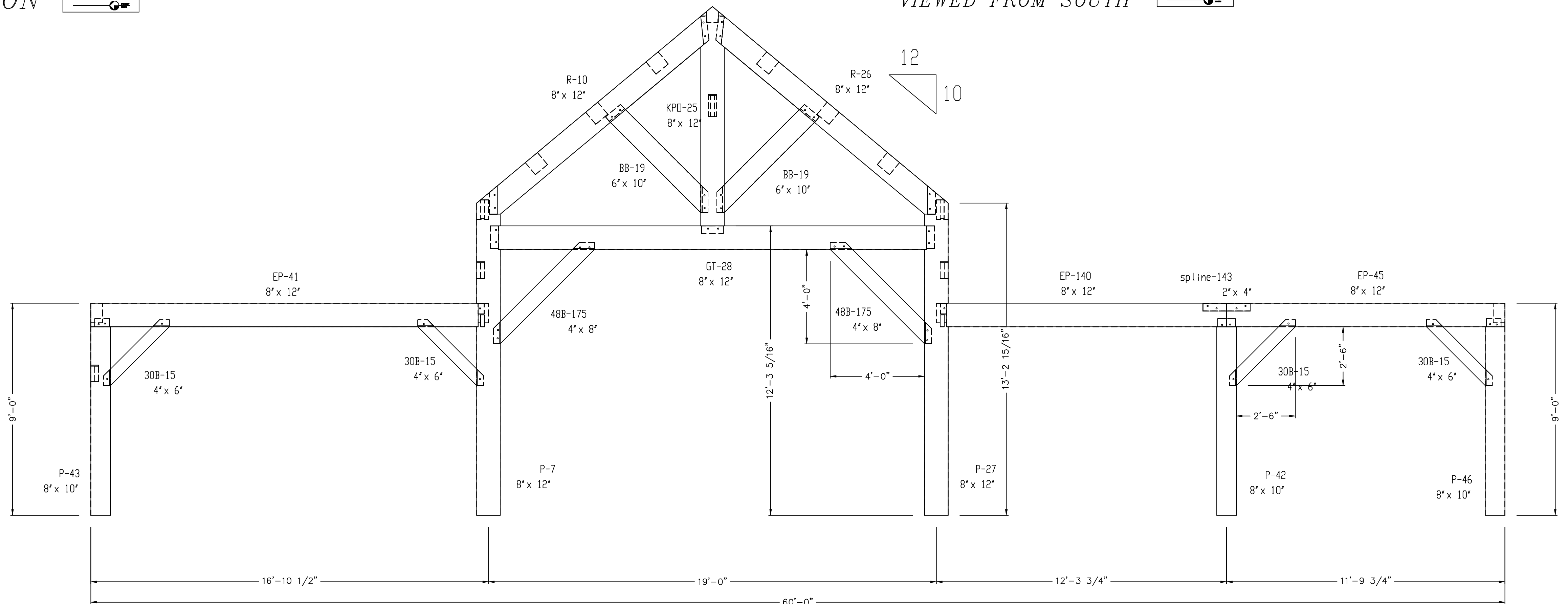
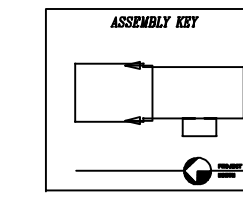
**WALL 6**  
SOUTH ELEVATION



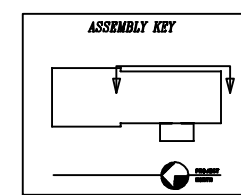
- BT = BAY TIE
- CT = COLLAR TIE
- CG = CONNECTING GIRT
- EG = EAVE GIRT
- EP = EAVE PLATE
- FG = FLOOR GIRT
- CT = CABLE TIE
- HB = HAMMER BEAM
- HP = HAMMER POST
- HR = HIP RAFTER
- J = JOIST
- LDC = LEDGER
- KPO = KING POST
- P = POST
- PR = PORCH RAFTER
- PT = PURLIN TIE
- PN = BENT PURLIN
- PLN = PRINCIPLE PURLIN
- R = RAFTER
- RB = RIDGE BEAM
- RPN = RIDGE PURLIN
- S = SILL PLATE
- CB = CENTER BRACE
- B = KNEE BRACE
- VR = VALLEY RAFTER



**WALL 8**  
VIEWED FROM SOUTH



**WALL 7**  
EAST ELEVATION



ALL FRAME MEMBERS ARE OF EASTERN HEMLOCK  
(SUBSTITUTE SPECIES WILL BE NOTED)

NOTE: ALL FRAME WALLS ARE VIEWED FROM  
OUTSIDE UNLESS NOTED OTHERWISE

COPYRIGHT LAWS PROHIBIT REPRODUCTION OR USE OF THIS DRAWING,  
IN WHOLE OR IN PART, WITHOUT THE EXPRESSED WRITTEN PERMISSION  
OF DW TIMBER FRAME DESIGN

DO NOT SCALE DIMENSIONS ON THESE  
DRAWINGS. THESE IMAGES ARE  
MACHINE REPRODUCTIONS AND MAY  
CONTAIN A MARGIN OF ERROR.

**DW TIMBER FRAME DESIGN**

CUSTOMER: BOLDUC

DRAWN BY: DEW

DRAWING NUMBER:

DRAWING: WALL 6 - 8

REVISIONS:

F2

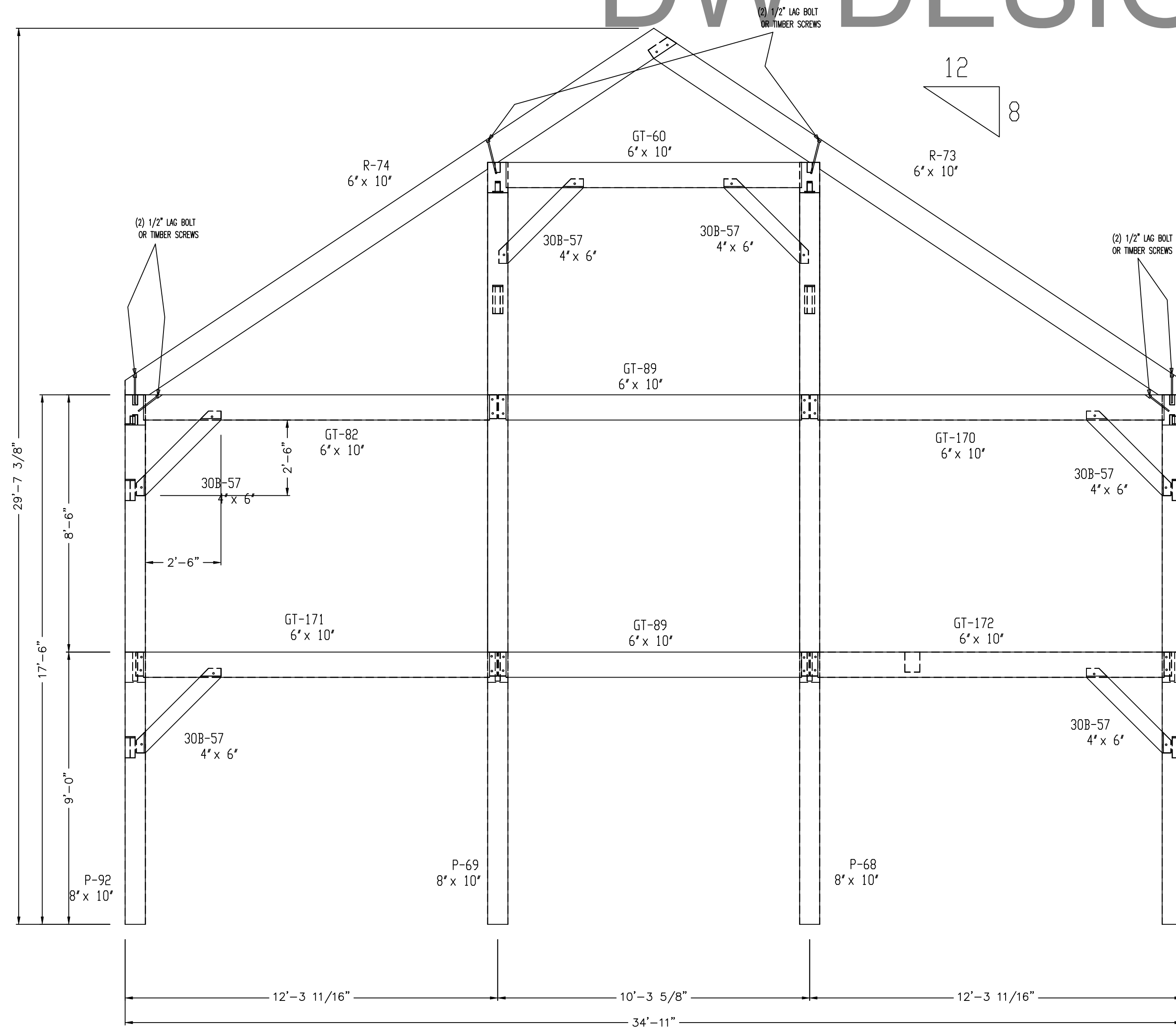
SCALE: 3/8" = 1' - 0"

DATE: 7/27/19

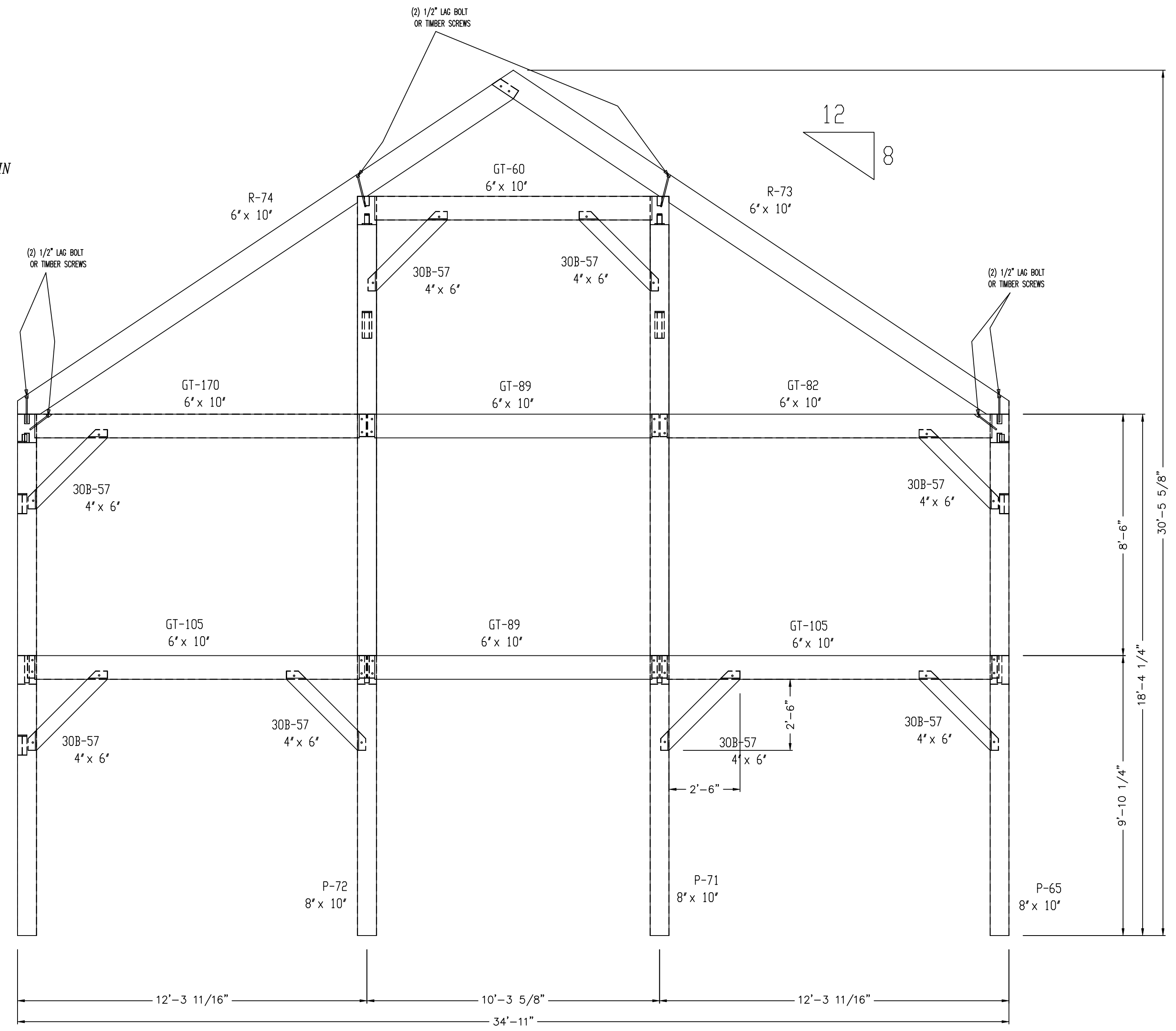
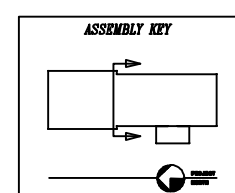
PROJECT NUMBER:

# COPYRIGHT PROTECTED DW DESIGN

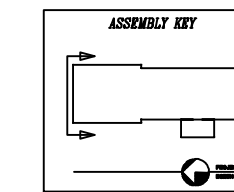
- BT = BAY TIE
- CT = COLLAR TIE
- CC = CONNECTING GIRT
- EG = EAVE GIRT
- EP = EAVE PLATE
- FC = FLOOR GIRT
- GT = GABLE TIE
- HB = HAMMER BEAM
- HP = HAMMER POST
- HR = HIP RAFTER
- J = JOIST
- LDC = LEDGER
- KPO = KING POST
- P = POST
- PR = PORCH RAFTER
- PT = PURLIN TIE
- PN = BENT PURLIN
- PLN = PRINCIPLE PURLIN
- R = RAFTER
- RB = RIDGE BEAM
- RPN = RIDGE PURLIN
- S = SILL PLATE
- CB = CENTER BRACE
- B = KNEE BRACE
- VR = VALLEY RAFTER



**WALL 9**  
VIEWED FROM NORTH



**WALL 11**  
NORTH ELEVATION



ALL FRAME MEMBERS ARE OF EASTERN HEMLOCK  
(SUBSTITUTE SPECIES WILL BE NOTED)

NOTE: ALL FRAME WALLS ARE VIEWED FROM  
OUTSIDE UNLESS NOTED OTHERWISE

COPYRIGHT LAWS PROHIBIT REPRODUCTION OR USE OF THIS DRAWING,  
IN WHOLE OR IN PART, WITHOUT THE EXPRESSED WRITTEN PERMISSION  
OF DW TIMBER FRAME DESIGN

DO NOT SCALE DIMENSIONS ON THESE  
DRAWINGS. THESE IMAGES ARE  
MACHINE REPRODUCTIONS AND MAY  
CONTAIN A MARGIN OF ERROR.

**DW TIMBER FRAME DESIGN**

CUSTOMER: BOLDUC

DRAWN BY: DEW

DRAWING  
NUMBER:

DRAWING: WALL 9, 11

REVISIONS:

F3

SCALE: 3/8" = 1' - 0"

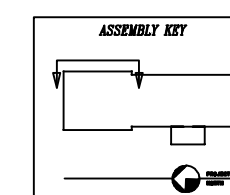
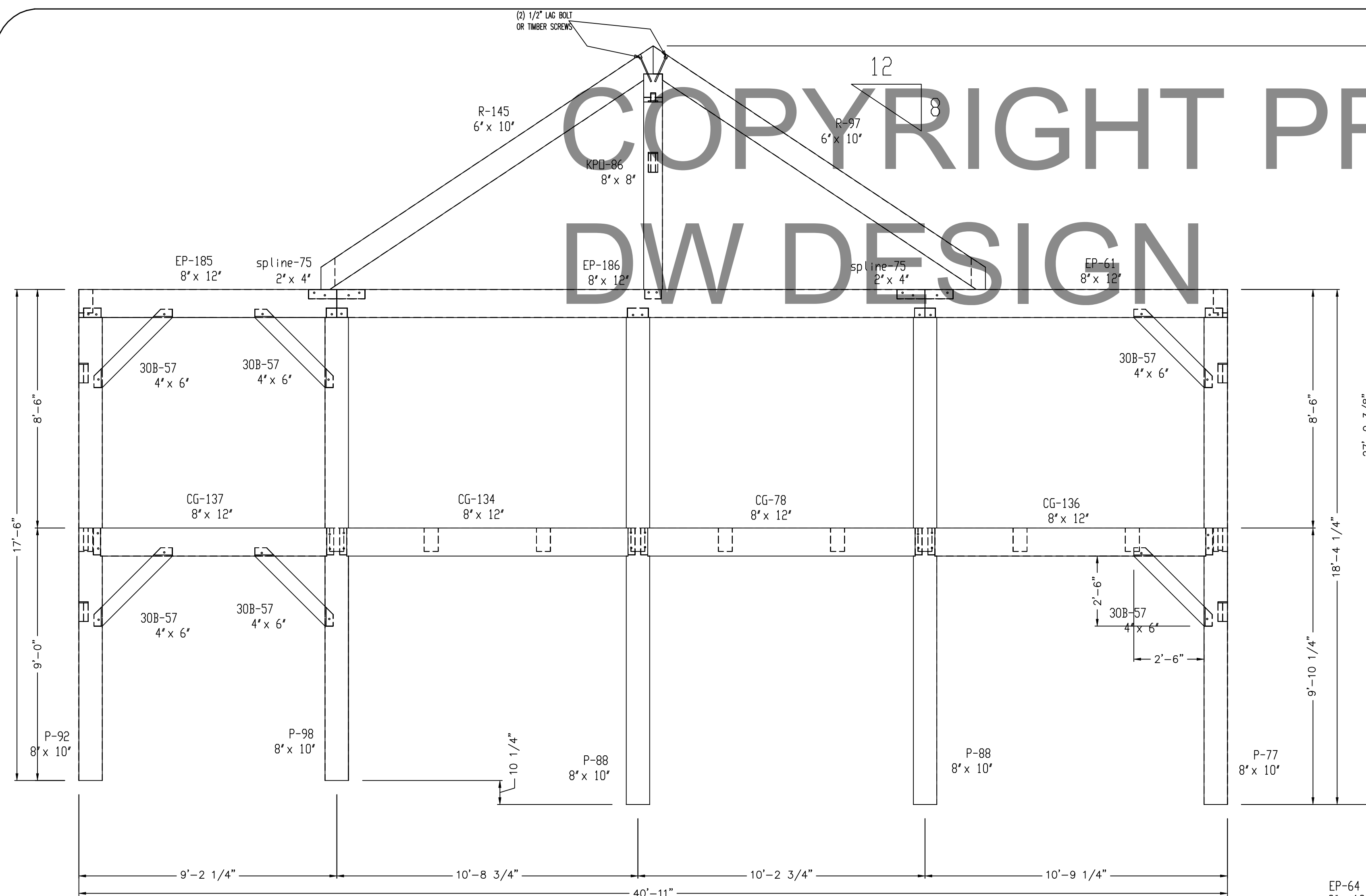
DATE: 7/27/19

PROJECT NUMBER:

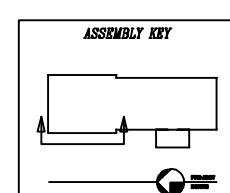
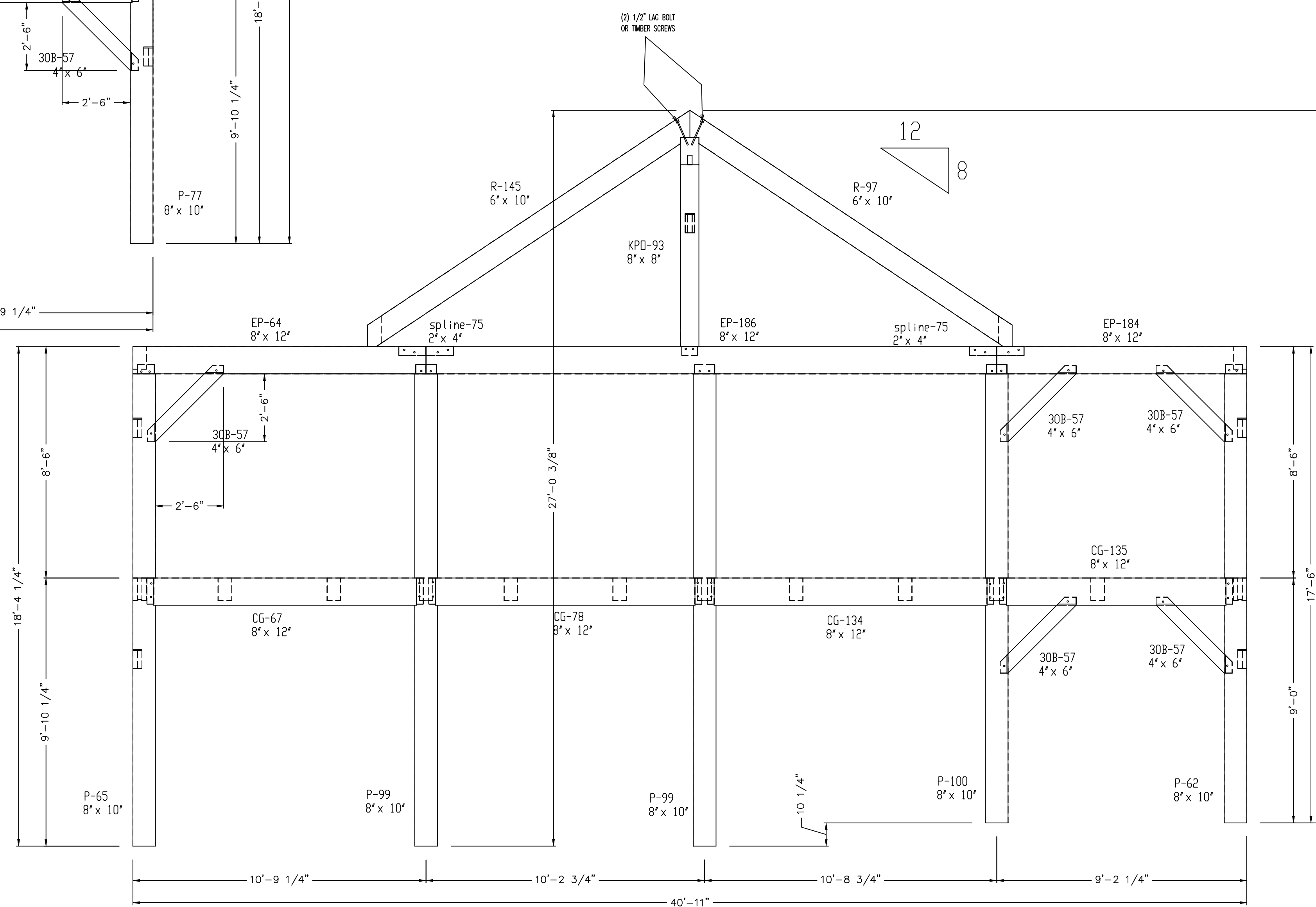
COPYRIGHT PROTECTED  
DW DESIGN

- BT = BAY TIE
- CT = COLLAR TIE
- CG = CONNECTING GIRT
- EG = EAVE GIRT
- EP = EAVE PLATE
- FG = FLOOR GIRT
- CT = CABLE TIE
- HB = HAMMER BEAM
- HP = HAMMER POST
- HR = HIP RAFTER
- J = JOIST
- LDC = LEDGER
- KPO = KING POST
- P = POST
- PR = PORCH RAFTER
- PT = PURLIN TIE
- PN = BENT PURLIN
- PLN = PRINCIPLE PURLIN
- R = RAFTER
- RB = RIDGE BEAM
- RPN = RIDGE PURLIN
- S = SILL PLATE
- CB = CENTER BRACE
- B = KNEE BRACE
- VR = VALLEY RAFTER

WALL 10  
EAST ELEVATION



WALL 12  
WEST ELEVATION



ALL FRAME MEMBERS ARE OF EASTERN HEMLOCK  
(SUBSTITUTE SPECIES WILL BE NOTED)

NOTE: ALL FRAME WALLS ARE VIEWED FROM  
OUTSIDE UNLESS NOTED OTHERWISE

COPYRIGHT LAWS PROHIBIT REPRODUCTION OR USE OF THIS DRAWING,  
IN WHOLE OR IN PART, WITHOUT THE EXPRESSED WRITTEN PERMISSION  
OF DW TIMBER FRAME DESIGN

DO NOT SCALE DIMENSIONS ON THESE  
DRAWINGS. THESE IMAGES ARE  
MACHINE REPRODUCTIONS AND MAY  
CONTAIN A MARGIN OF ERROR.

**DW TIMBER FRAME DESIGN**

CUSTOMER: BOLDUC

DRAWN BY: DEW

DRAWING  
NUMBER:

DRAWING: WALL 10, 12

REVISIONS:

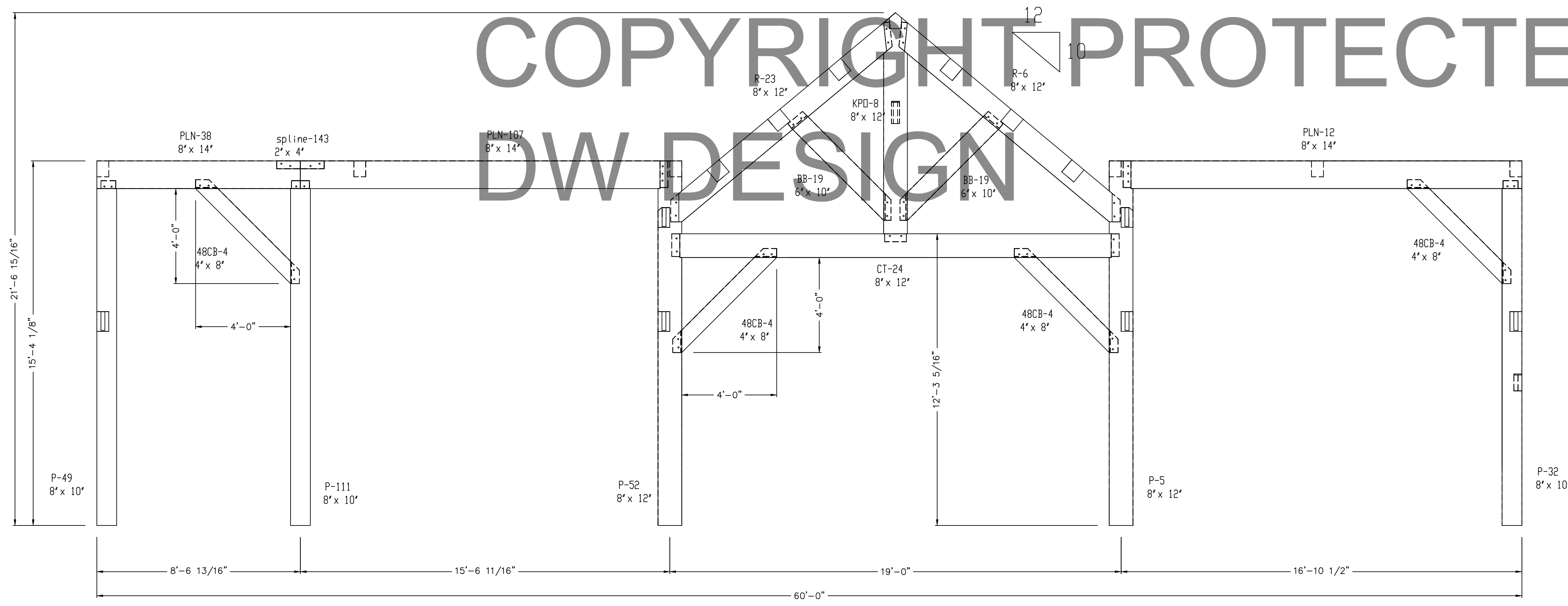
F4

SCALE: 3/8" = 1' - 0"

DATE: 7/27/19

PROJECT NUMBER:

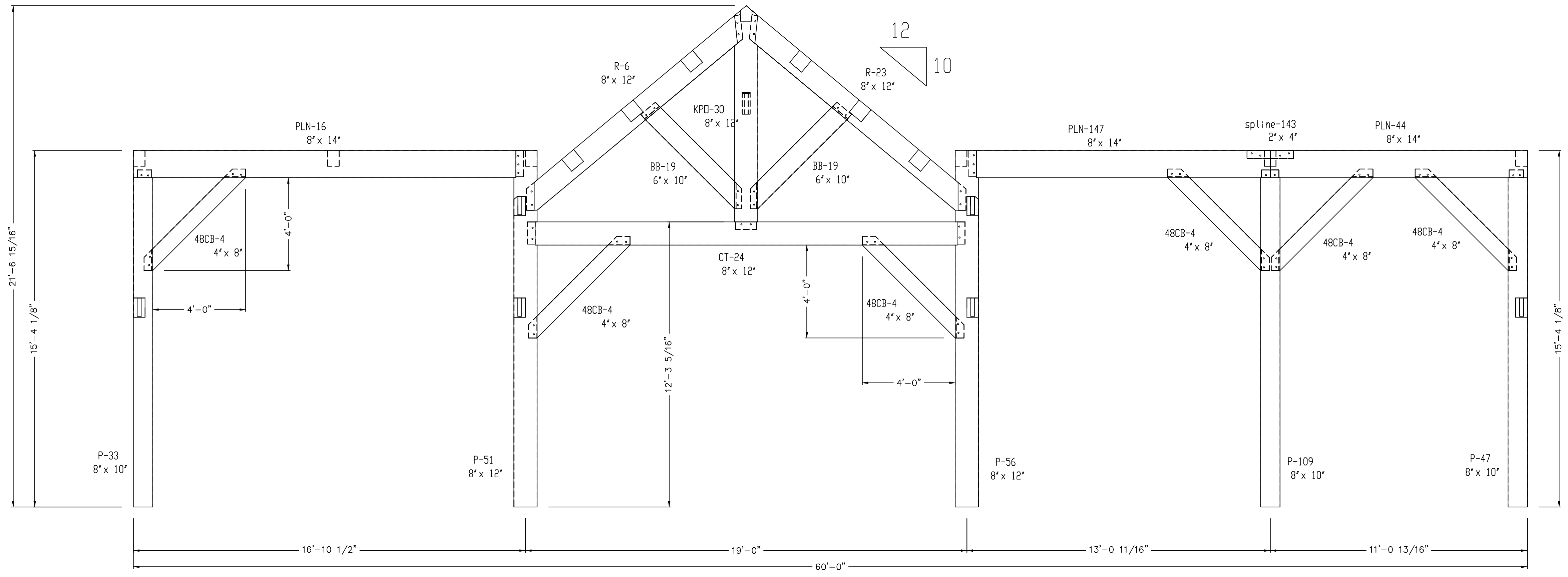
COPYRIGHT PROTECTED  
DW DESIGN



**WALL 15**  
*WEST PURLIN*  
VIEWED FROM WEST

- BT = BAY TIE
- CT = COLLAR TIE
- CG = CONNECTING GIRT
- EC = EAVE GIRT
- EP = EAVE PLATE
- FC = FLOOR GIRT
- GT = CABLE TIE
- HB = HAMMER BEAM
- HP = HAMMER POST
- HR = HIP RAFTER
- J = JOIST
- LDC = LEDGER
- KPO = KING POST
- P = POST
- PR = PORCH RAFTER
- PT = PURLIN TIE
- PN = BENT PURLIN
- PLN = PRINCIPLE PURLIN
- R = RAFTER
- RB = RIDGE BEAM
- RPN = RIDGE PURLIN
- S = SILL PLATE
- CB = CENTER BRACE
- B = KNEE BRACE
- VR = VALLEY RAFTER

**WALL 16**  
*EAST PURLIN*  
VIEWED FROM EAST



ALL FRAME MEMBERS ARE OF EASTERN HEMLOCK  
(SUBSTITUTE SPECIES WILL BE NOTED)

NOTE: ALL FRAME WALLS ARE VIEWED FROM  
OUTSIDE UNLESS NOTED OTHERWISE

COPYRIGHT LAWS PROHIBIT REPRODUCTION OR USE OF THIS DRAWING,  
IN WHOLE OR IN PART, WITHOUT THE EXPRESSED WRITTEN PERMISSION  
OF DW TIMBER FRAME DESIGN

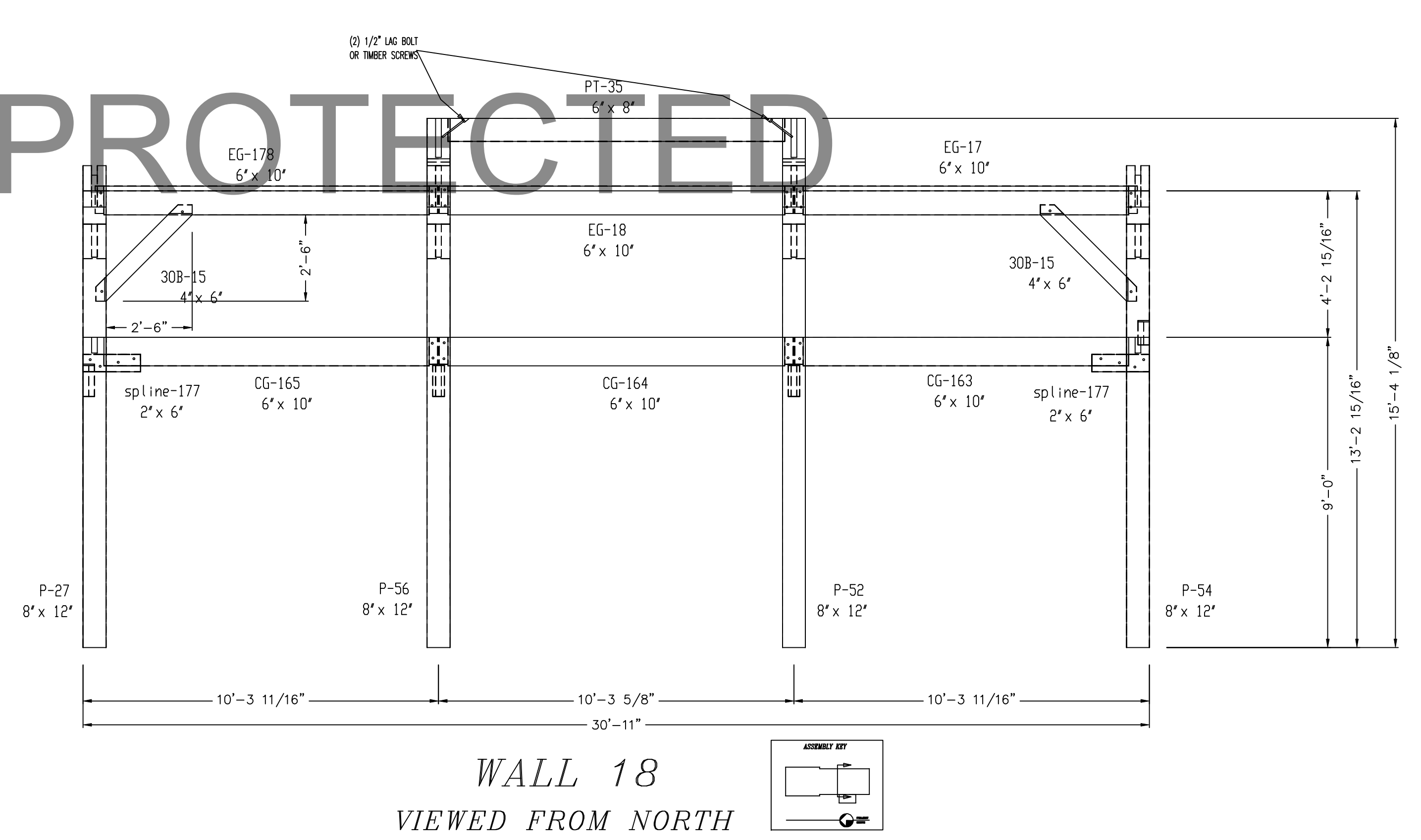
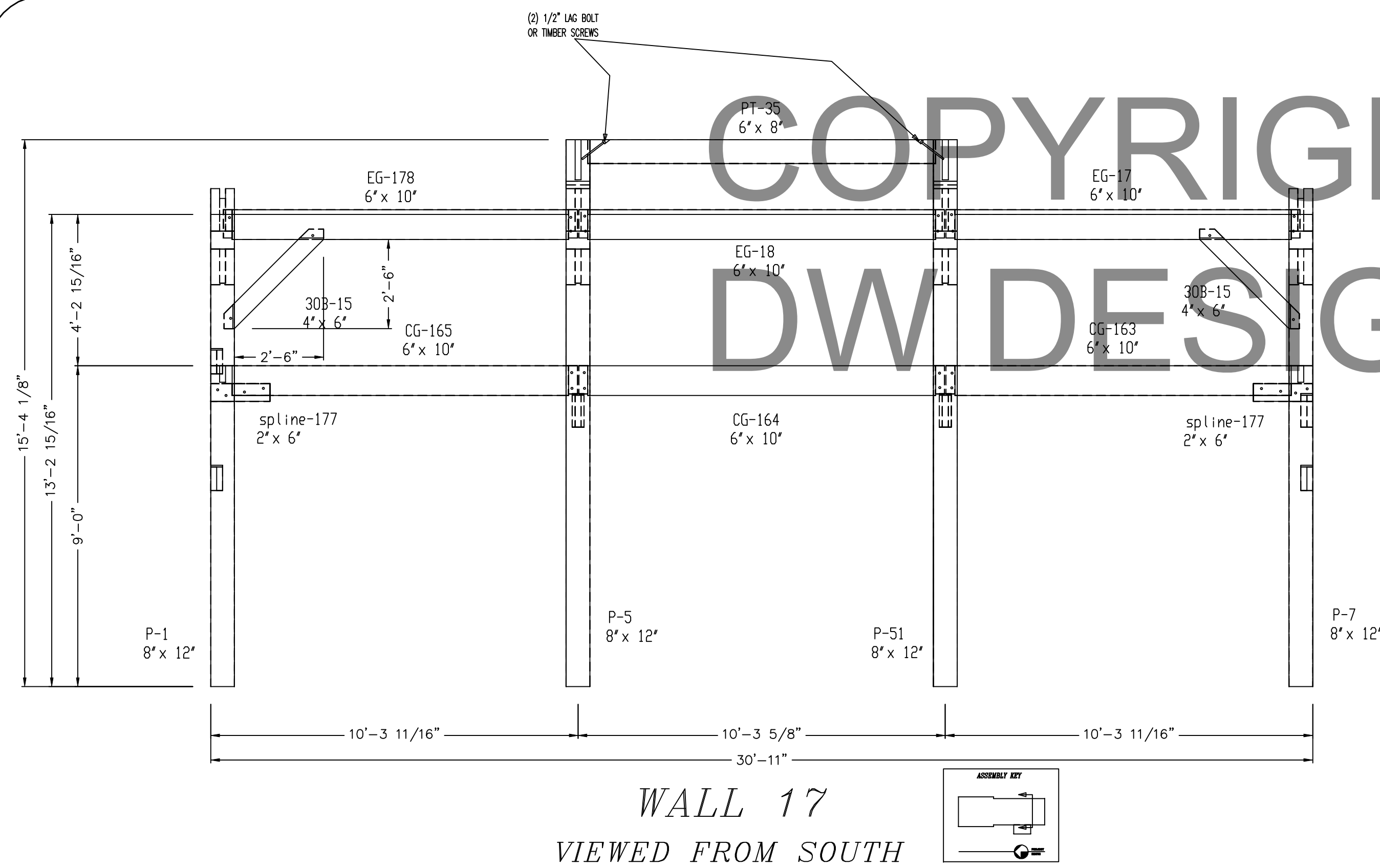
DO NOT SCALE DIMENSIONS ON THESE  
DRAWINGS. THESE IMAGES ARE  
MACHINE REPRODUCTIONS AND MAY  
CONTAIN A MARGIN OF ERROR.

**DW TIMBER FRAME DESIGN**

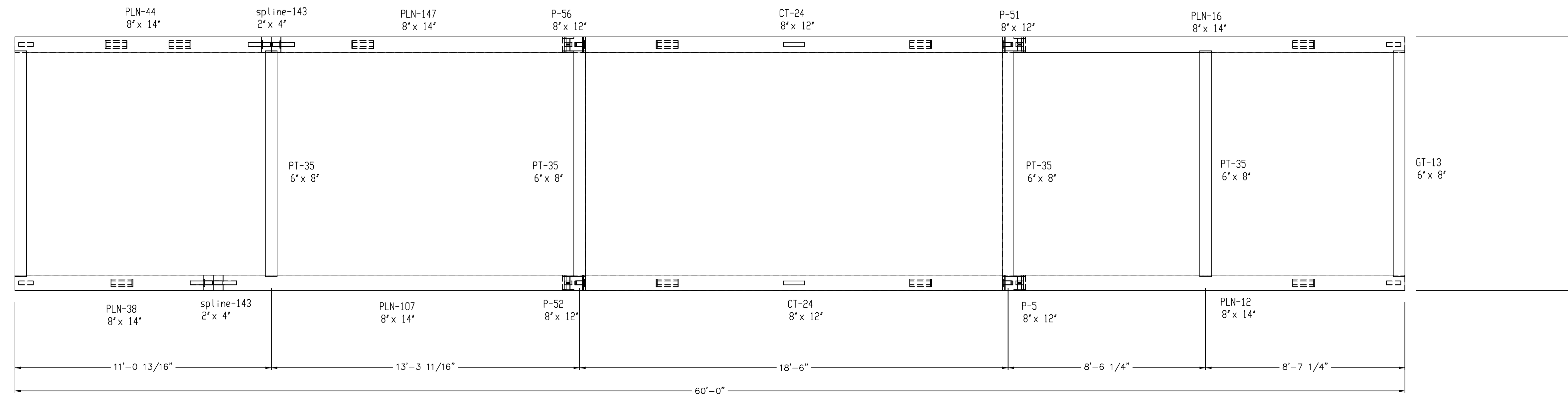
CUSTOMER: BOLDUC	DRAWN BY: DEW	DRAWING NUMBER:  <b>F5</b>
DRAWING: WALL 15, 16	REVISIONS:	
SCALE: 3/8" = 1' - 0"	DATE: 7/27/19	



COPYRIGHT PROTECTED  
DW DESIGN



- BT = BAY TIE
- CT = COLLAR TIE
- CC = CONNECTING GIRT
- EC = EAVE GIRT
- EP = EAVE PLATE
- FC = FLOOR GIRT
- CT = CABLE TIE
- HB = HAMMER BEAM
- HP = HAMMER POST
- HR = HIP RAFTER
- J = JOIST
- LDC = LEDGER
- KPO = KING POST
- P = POST
- PR = PORCH RAFTER
- PT = PURLIN TIE
- PN = BENT PURLIN
- PLN = PRINCIPLE PURLIN
- R = RAFTER
- RB = RIDGE BEAM
- RPN = RIDGE PURLIN
- S = SILL PLATE
- CB = CENTER BRACE
- B = KNEE BRACE
- VR = VALLEY RAFTER



ALL FRAME MEMBERS ARE OF EASTERN HEMLOCK  
(SUBSTITUTE SPECIES WILL BE NOTED)

NOTE: ALL FRAME WALLS ARE VIEWED FROM  
OUTSIDE UNLESS NOTED OTHERWISE

COPYRIGHT LAWS PROHIBIT REPRODUCTION OR USE OF THIS DRAWING,  
IN WHOLE OR IN PART, WITHOUT THE EXPRESSED WRITTEN PERMISSION  
OF DW TIMBER FRAME DESIGN

DO NOT SCALE DIMENSIONS ON THESE  
DRAWINGS. THESE IMAGES ARE  
MACHINE REPRODUCTIONS AND MAY  
CONTAIN A MARGIN OF ERROR.

DW TIMBER FRAME DESIGN

CUSTOMER: BOLDUC

DRAWN BY: DEW

DRAWING NUMBER:

DRAWING: WALL 17, 18, PURLIN

REVISIONS:

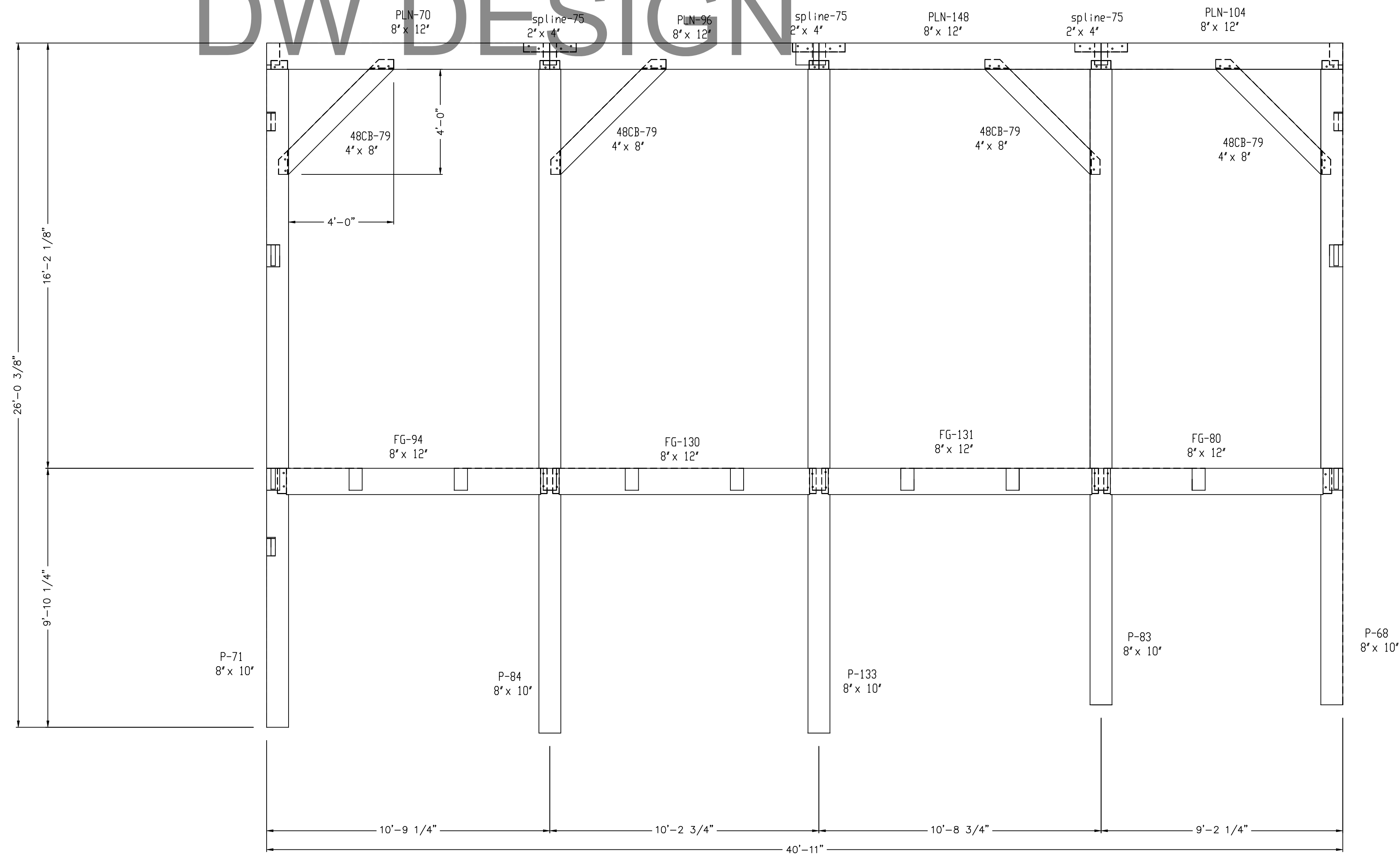
F6

SCALE: 3/8" = 1' - 0"

DATE: 7/27/19

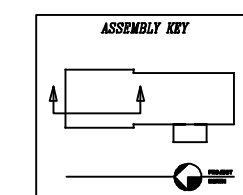
PROJECT NUMBER:

# COPYRIGHT PROTECTED DW DESIGN



- BT = BAY TIE
- CT = COLLAR TIE
- CC = CONNECTING GIRT
- EG = EAVE GIRT
- EP = EAVE PLATE
- FG = FLOOR GIRT
- CT = GABLE TIE
- HB = HAMMER BEAM
- HP = HAMMER POST
- HR = HIP RAFTER
- J = JOIST
- LDC = LEDGER
- KPO = KING POST
- P = POST
- PR = PORCH RAFTER
- PT = PURLIN TIE
- PN = BENT PURLIN
- PLN = PRINCIPLE PURLIN
- R = RAFTER
- RB = RIDGE BEAM
- RPN = RIDGE PURLIN
- S = SILL PLATE
- CB = CENTER BRACE
- B = KNEE BRACE
- VR = VALLEY RAFTER

WALL 13  
WEST PURLIN  
VIEWED FROM WEST



ALL FRAME MEMBERS ARE OF EASTERN HEMLOCK  
(SUBSTITUTE SPECIES WILL BE NOTED)

NOTE: ALL FRAME WALLS ARE VIEWED FROM  
OUTSIDE UNLESS NOTED OTHERWISE

COPYRIGHT LAWS PROHIBIT REPRODUCTION OR USE OF THIS DRAWING,  
IN WHOLE OR IN PART, WITHOUT THE EXPRESSED WRITTEN PERMISSION  
OF DW TIMBER FRAME DESIGN

DO NOT SCALE DIMENSIONS ON THESE  
DRAWINGS. THESE IMAGES ARE  
MACHINE REPRODUCTIONS AND MAY  
CONTAIN A MARGIN OF ERROR.

**DW TIMBER FRAME DESIGN**

CUSTOMER: BOLDUC

DRAWN BY: DEW

DRAWING  
NUMBER:

DRAWING: WALL 13

REVISIONS:

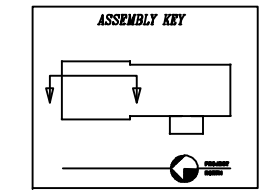
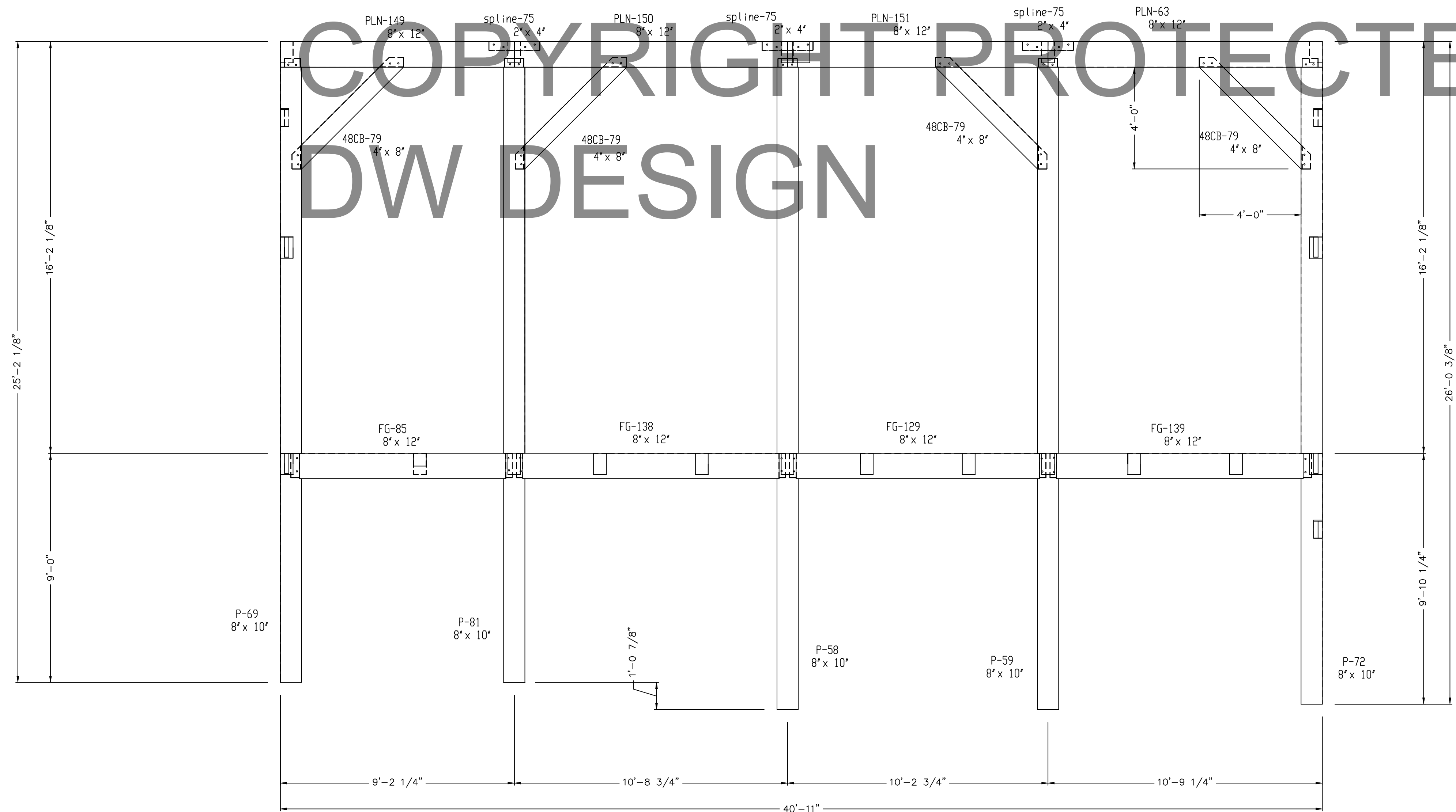
F7

SCALE: 3/8" = 1' - 0"

DATE: 7/27/19

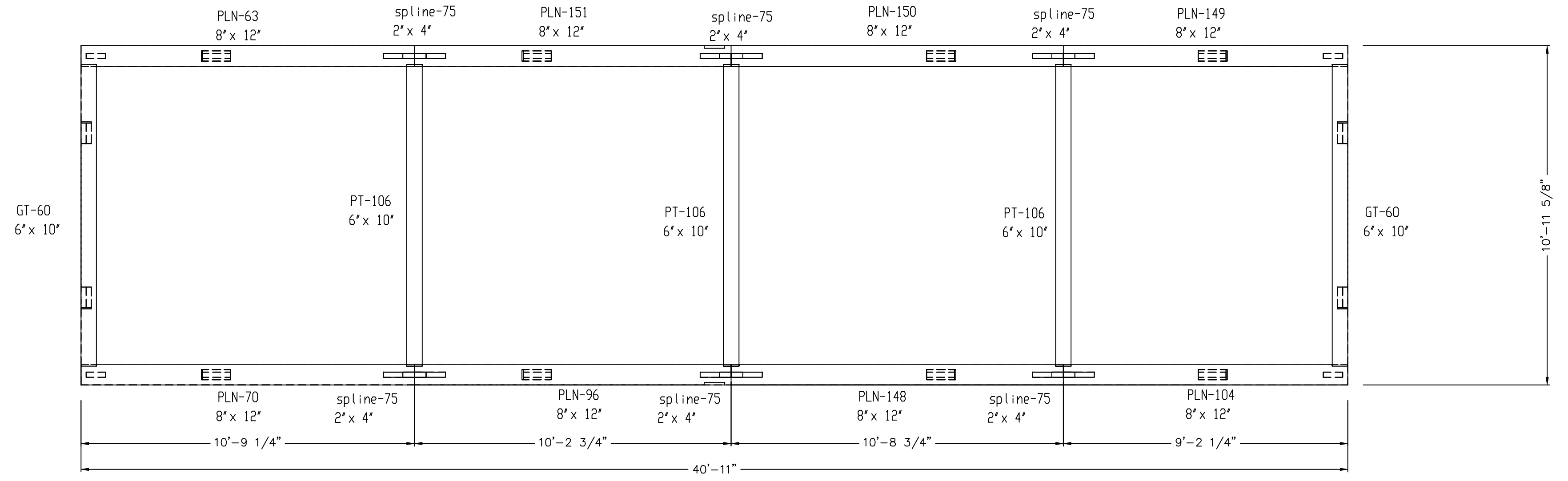
PROJECT NUMBER:

COPYRIGHT PROTECTED  
DW DESIGN

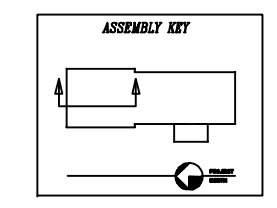


WALL 14  
EAST PURLIN  
VIEWED FROM EAST

- BT = BAY TIE
- CT = COLLAR TIE
- CC = CONNECTING CIRT
- EC = EAVE CIRT
- EP = EAVE PLATE
- FG = FLOOR CIRT
- CT = CABLE TIE
- HB = HAMMER BEAM
- HP = HAMMER POST
- HR = HIP RAFTER
- J = JOIST
- LDC = LEDGER
- KPO = KING POST
- P = POST
- PR = PORCH RAFTER
- PT = PURLIN TIE
- PN = BENT PURLIN
- PLN = PRINCIPLE PURLIN
- R = RAFTER
- RB = RIDGE BEAM
- RPN = RIDGE PURLIN
- S = SILL PLATE
- CB = CENTER BRACE
- B = KNEE BRACE
- VR = VALLEY RAFTER



PURLIN TIE PLAN  
GARAGE



ALL FRAME MEMBERS ARE OF EASTERN HEMLOCK  
(SUBSTITUTE SPECIES WILL BE NOTED)

NOTE: ALL FRAME WALLS ARE VIEWED FROM  
OUTSIDE UNLESS NOTED OTHERWISE

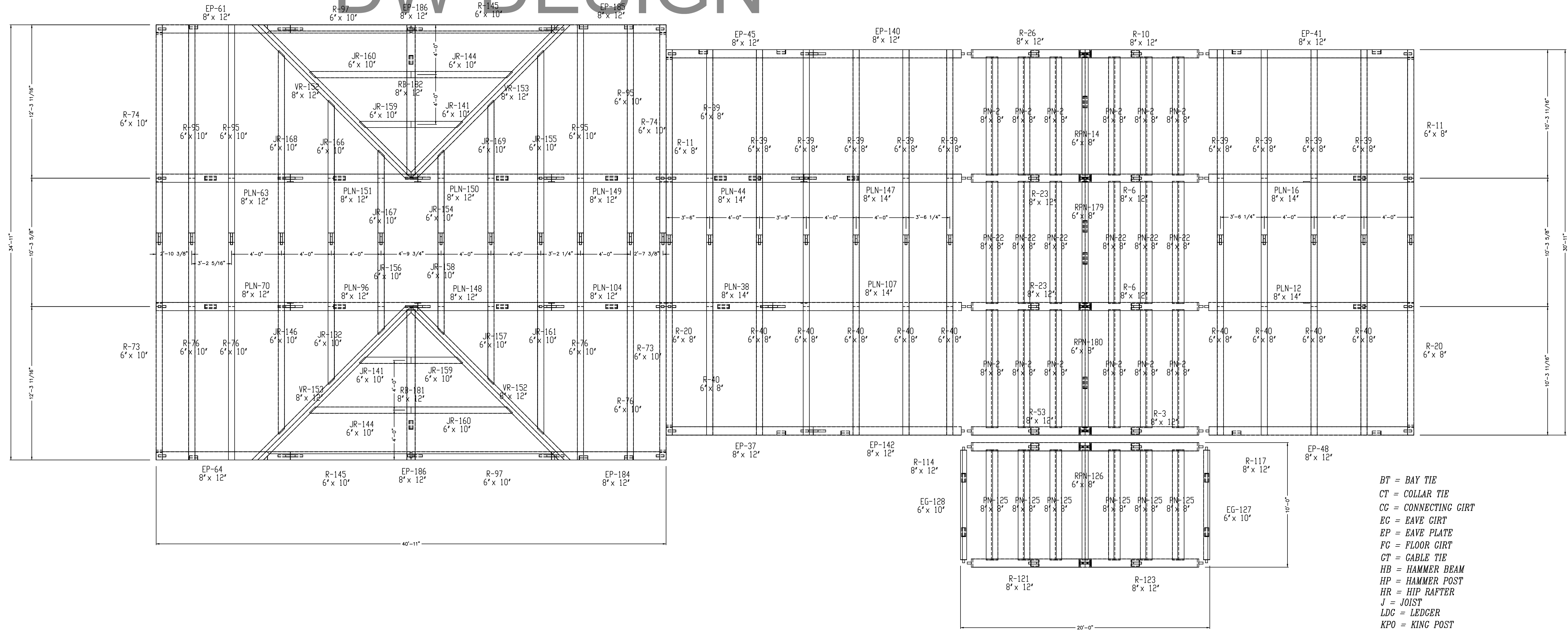
COPYRIGHT LAWS PROHIBIT REPRODUCTION OR USE OF THIS DRAWING,  
IN WHOLE OR IN PART, WITHOUT THE EXPRESSED WRITTEN PERMISSION  
OF DW TIMBER FRAME DESIGN

DO NOT SCALE DIMENSIONS ON THESE  
DRAWINGS. THESE IMAGES ARE  
MACHINE REPRODUCTIONS AND MAY  
CONTAIN A MARGIN OF ERROR.

DW TIMBER FRAME DESIGN

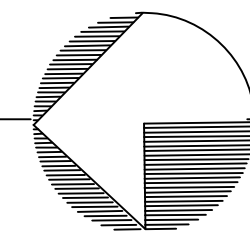
CUSTOMER: BOLDUC	DRAWN BY: DEW	DRAWING NUMBER:
DRAWING: WALL 14, PURLIN	REVISIONS:	F8
SCALE: 3/8" = 1' - 0"	DATE: 7/27/19	PROJECT NUMBER:

# COPYRIGHT PROTECTED DW DESIGN



- BT = BAY TIE
- CT = COLLAR TIE
- CC = CONNECTING GIRT
- EG = EAVE GIRT
- EP = EAVE PLATE
- FG = FLOOR GIRT
- CT = CABLE TIE
- HB = HAMMER BEAM
- HP = HAMMER POST
- HR = HIP RAFTER
- J = JOIST
- LDC = LEDGER
- KPO = KING POST
- P = POST
- PR = PORCH RAFTER
- PT = PURLIN TIE
- PN = BENT PURLIN
- PLN = PRINCIPLE PURLIN
- R = RAFTER
- RB = RIDGE BEAM
- RPN = RIDGE PURLIN
- S = SILL PLATE
- CB = CENTER BRACE
- B = KNEE BRACE
- VR = VALLEY RAFTER

ROOF SYSTEM



PROJECT  
NORTH

ALL FRAME MEMBERS ARE OF EASTERN HEMLOCK  
(SUBSTITUTE SPECIES WILL BE NOTED)

NOTE: ALL FRAME WALLS ARE VIEWED FROM  
OUTSIDE UNLESS NOTED OTHERWISE

COPYRIGHT LAWS PROHIBIT REPRODUCTION OR USE OF THIS DRAWING,  
IN WHOLE OR IN PART, WITHOUT THE EXPRESSED WRITTEN PERMISSION  
OF DW TIMBER FRAME DESIGN

DO NOT SCALE DIMENSIONS ON THESE  
DRAWINGS. THESE IMAGES ARE  
MACHINE REPRODUCTIONS AND MAY  
CONTAIN A MARGIN OF ERROR.

**DW TIMBER FRAME DESIGN**

CUSTOMER: BOLDUC

DRAWN BY: DEW

DRAWING  
NUMBER:

DRAWING: ROOF SYSTEM

REVISIONS:

F9

SCALE: 3/8" = 1' - 0"

DATE: 7/27/19

PROJECT NUMBER: