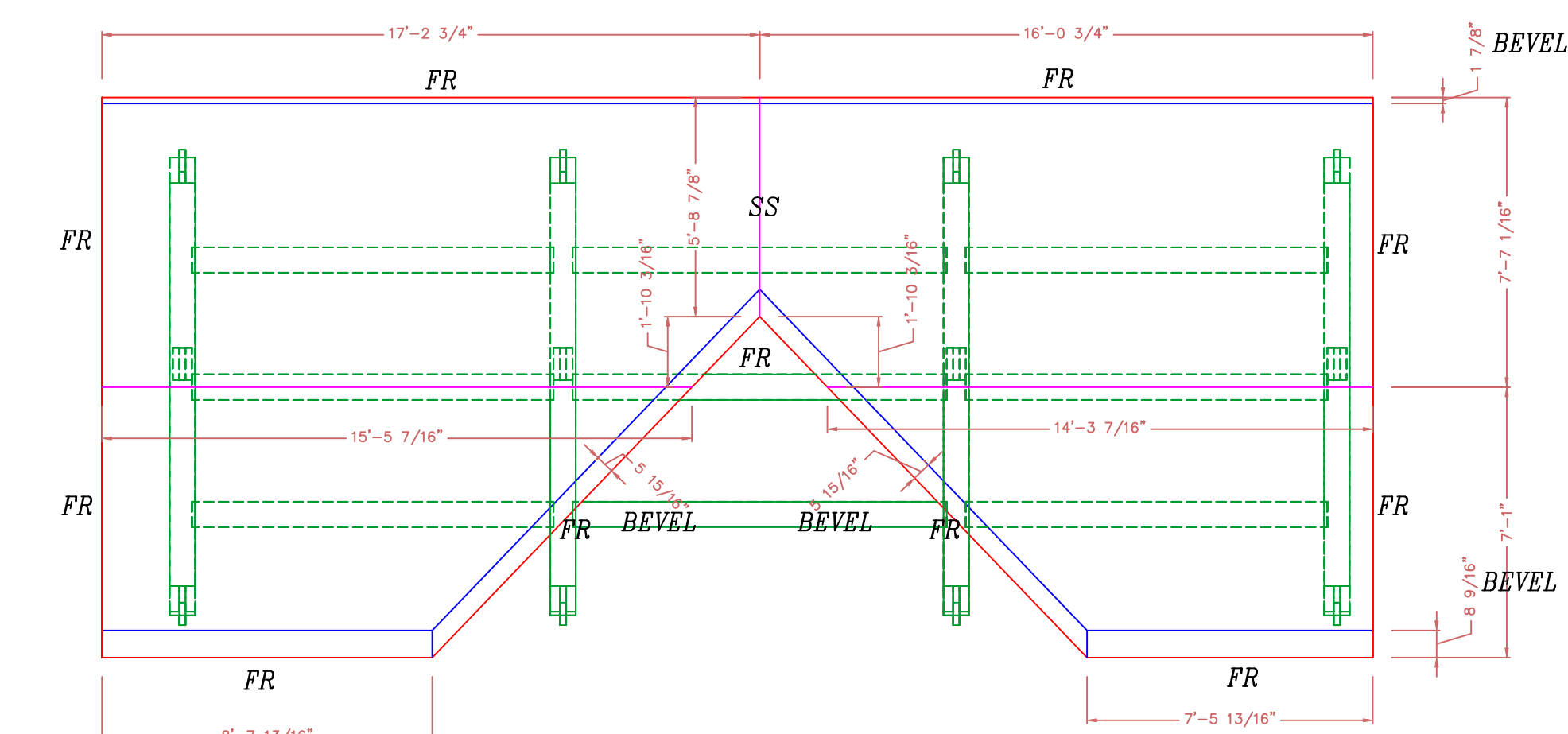
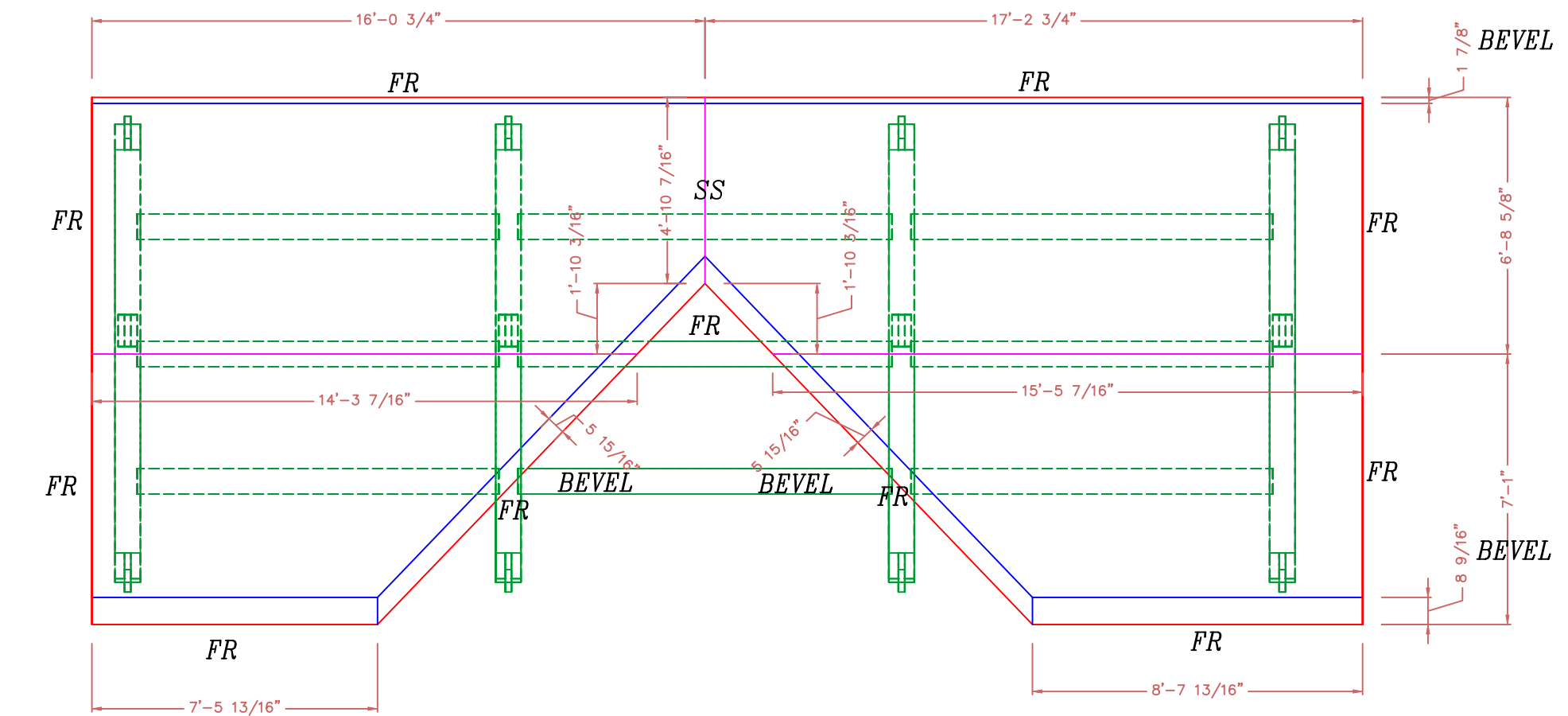
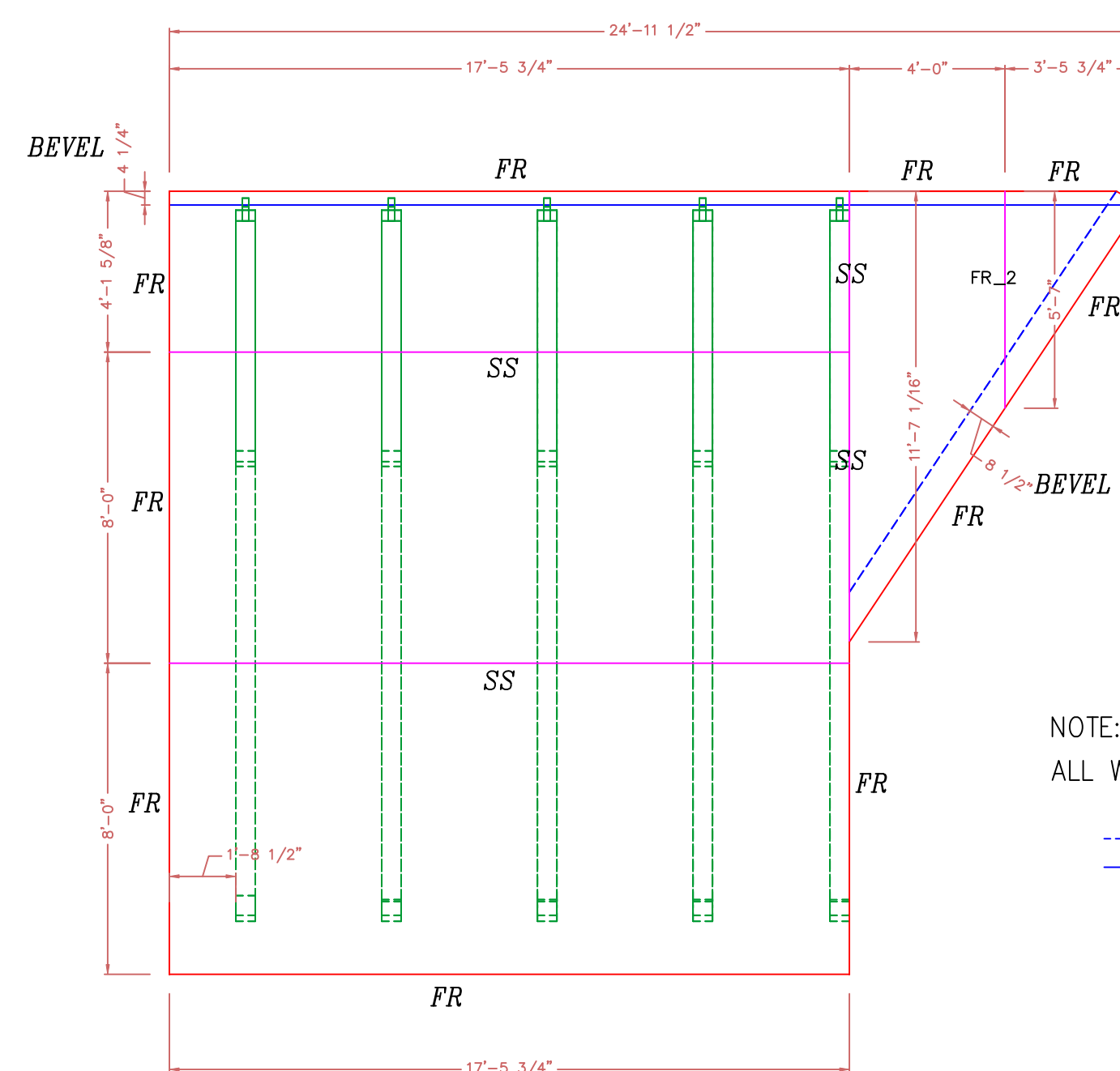
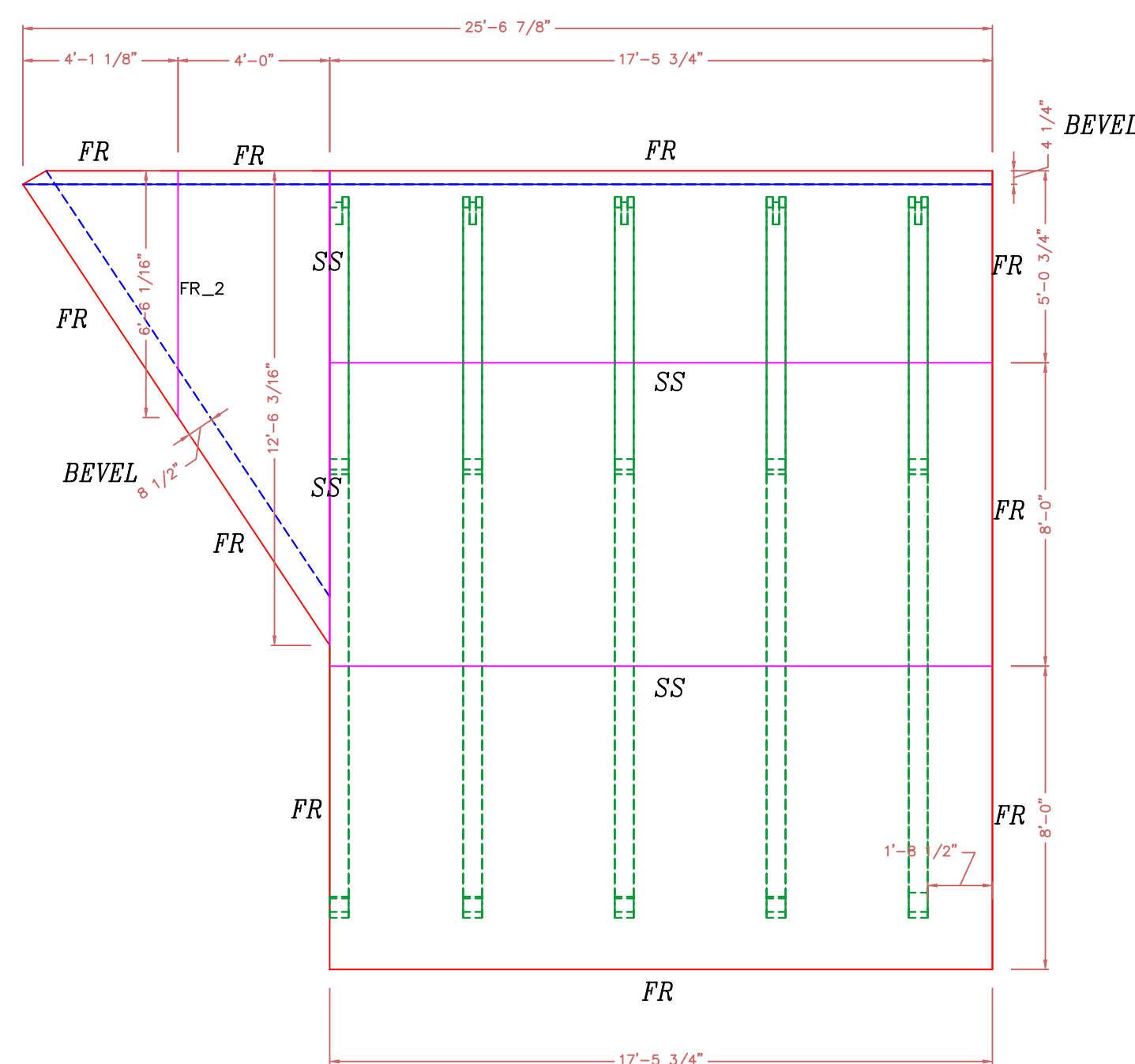
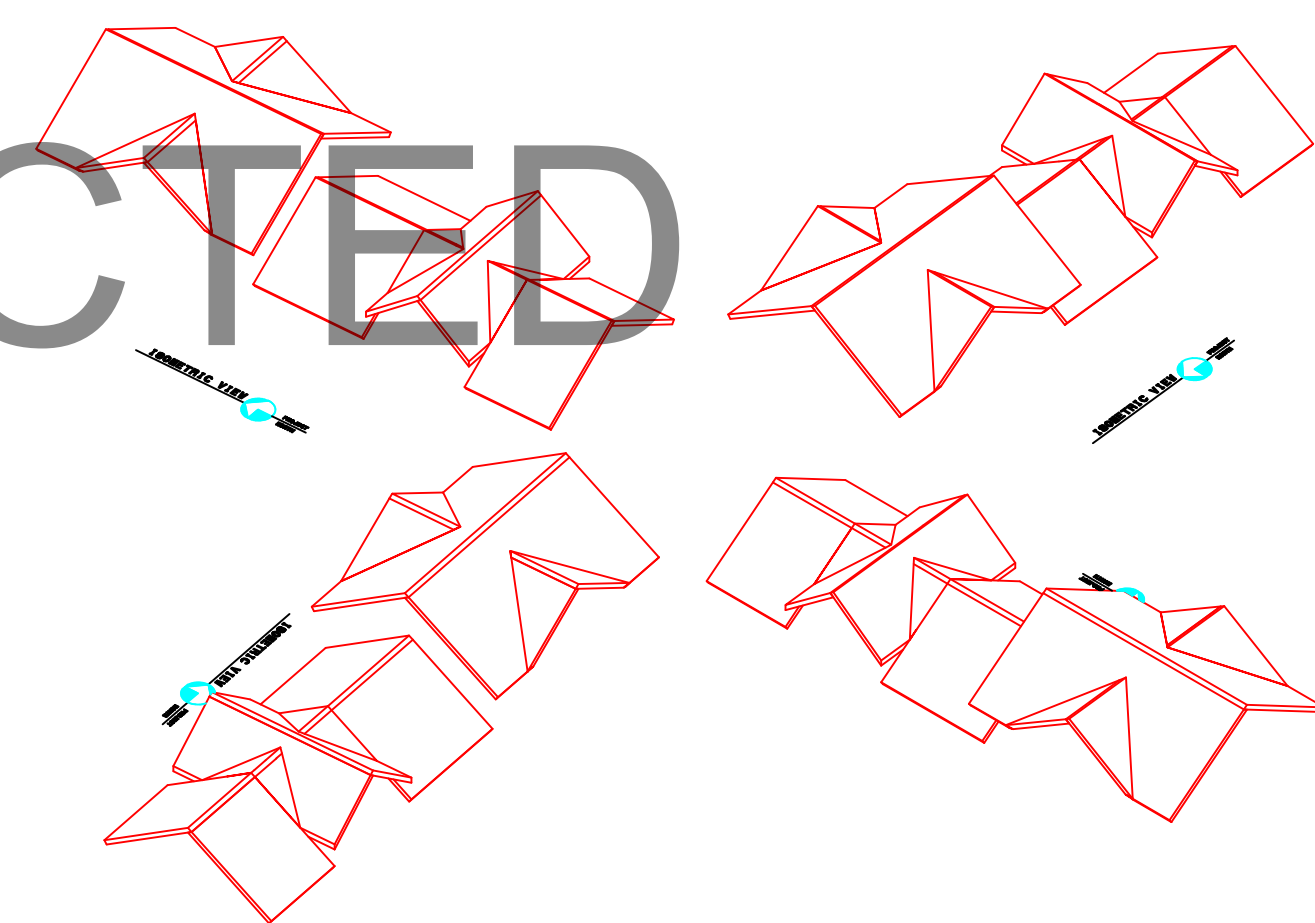
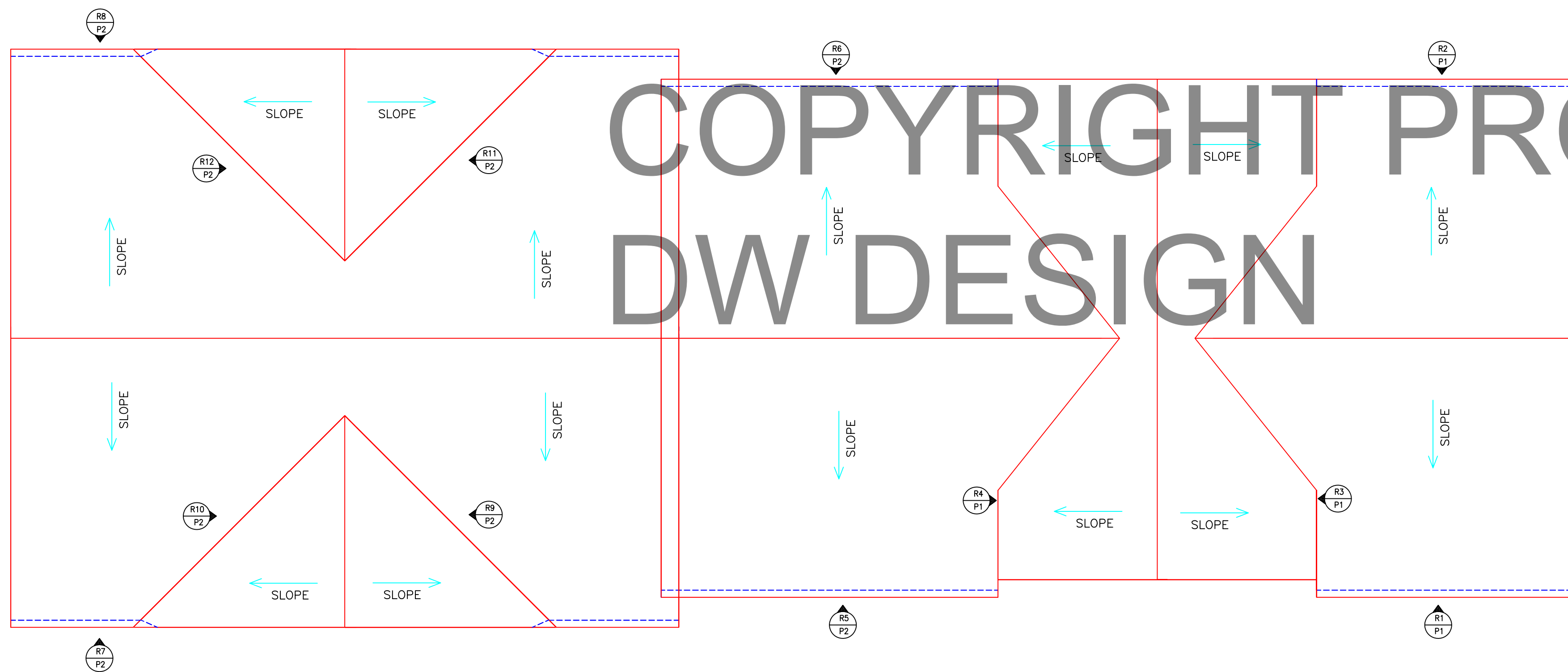


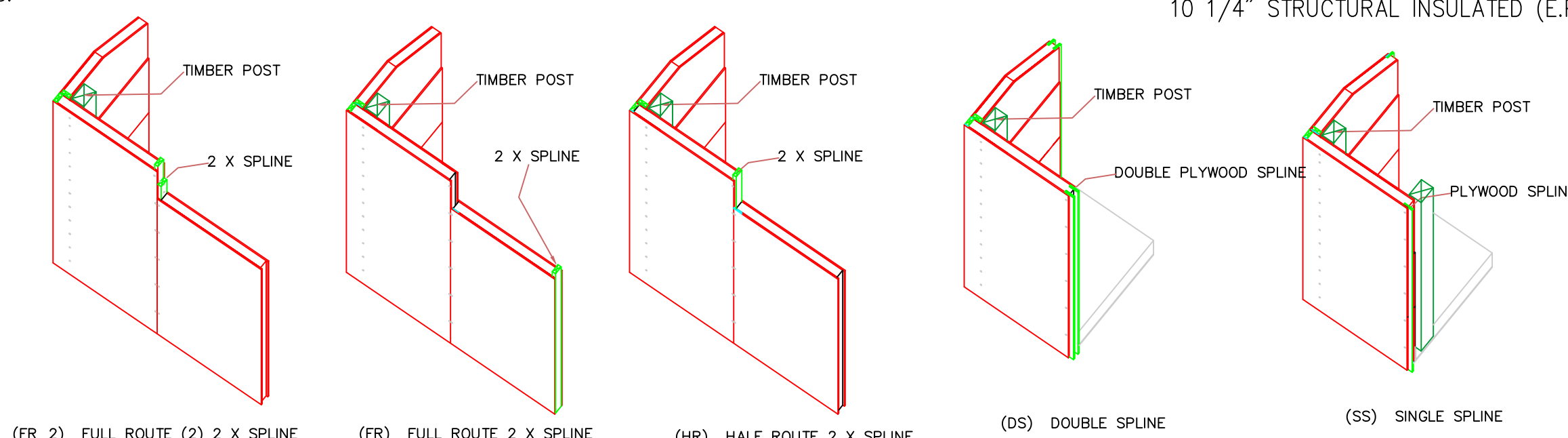
COPYRIGHT PROTECTED DW DESIGN



NOTE:
ALL WINDOW & DOOR OPENINGS ARE FULL ROUTE

--- = HIDDEN CUT (BACK SKIN)
--- = VISABLE CUT (FRONT SKIN)

FR2 = DOUBLE FULL ROUTE
FR = FULL ROUTE
HR = HALF ROUTE
SS = SINGLE SPLINE
DS = DOUBLE SPLINE
NR = NO ROUTE



ROOF: IS 10 1/4" STRUCTURAL INSULATED (E.P.S.) PANELS.
THEY SHALL BE APPLIED TO TIMBER FRAME OVER 3/4" T & G BOARDS.

DO NOT SCALE DIMENSIONS ON THESE DRAWINGS. THESE IMAGES ARE MACHINE REPRODUCTIONS AND MAY CONTAIN A MARGIN OF ERROR.

NOTE: ALL PANEL WALLS ARE VIEWED FROM OUTSIDE UNLESS NOTED OTHERWISE

NOTE: DIMENSIONS TO BE CONFIRMED BY GENERAL CONTRACTOR BEFORE PANELS ARE CUT

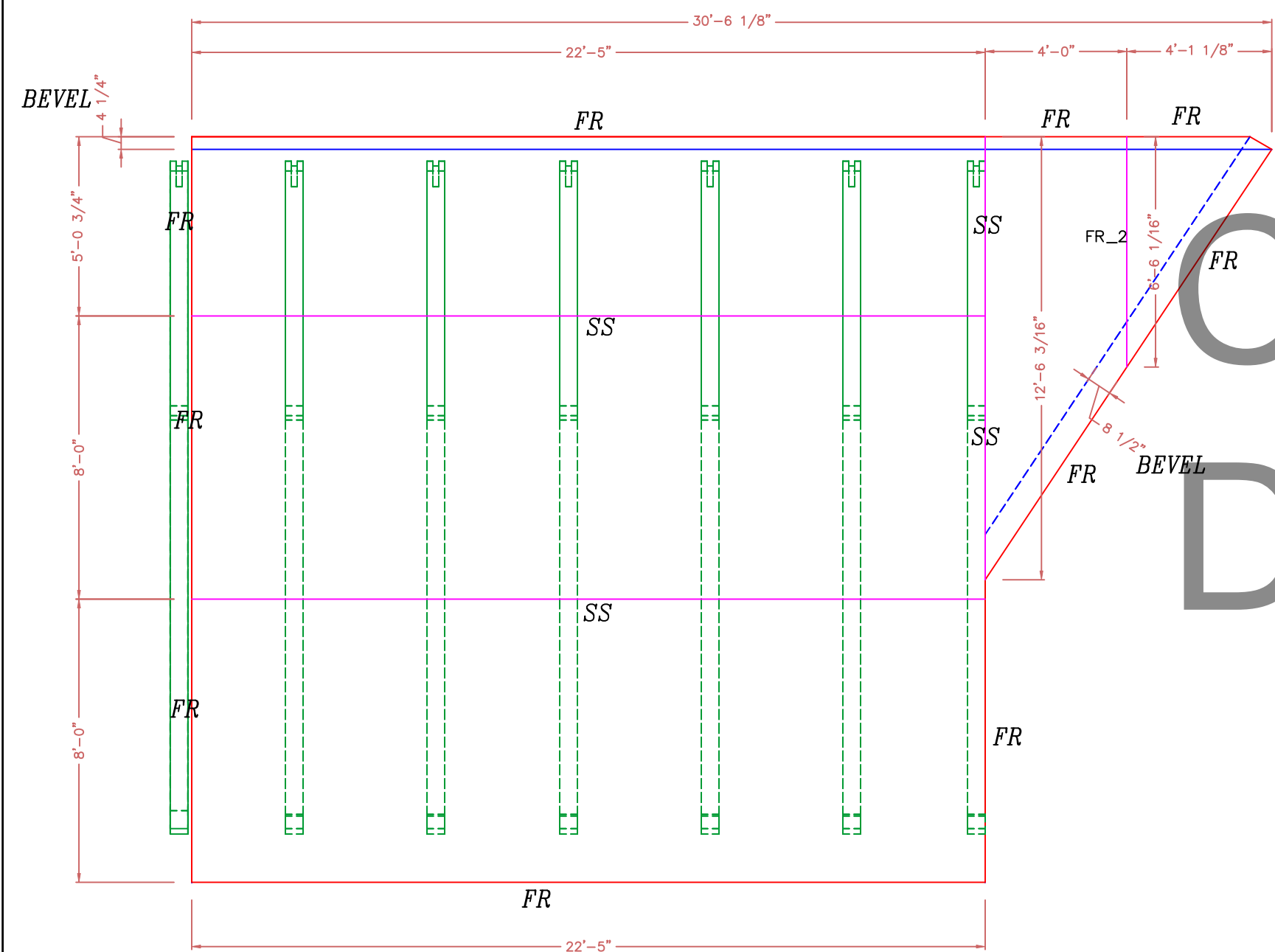
COPYRIGHT LAWS PROHIBIT REPRODUCTION OR USE OF THIS DRAWING, IN WHOLE OR IN PART, WITHOUT THE EXPRESSED WRITTEN PERMISSION OF DW TIMBER FRAME DESIGN

SCALE: 1/4" = 1'-0"	REVISIONS
	NUMBER & DESCRIPTION
DATE: 4/1/19	7/27/19
DRAWN BY: DEW	
CHECKED BY:	

JOB NAME: **BOLDUC RESIDENCE
FAIRFIELD, VT 05455**

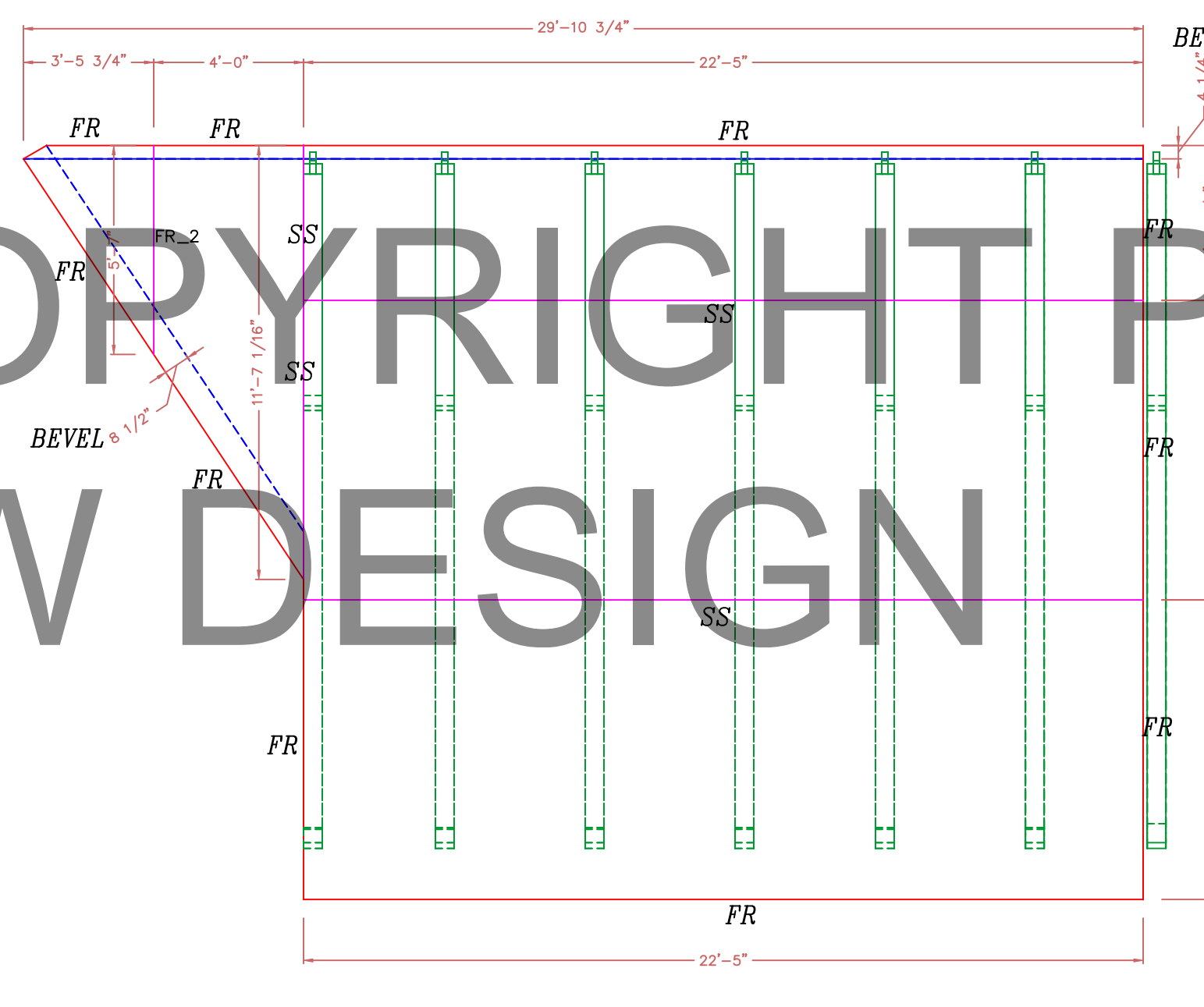
DW TIMBER FRAME DESIGN
TIMBER FRAME & PANEL HOME DESIGN
WWW.TIMBERFRAMEDESIGN.NET
PHONE: (603)852-8251

COPYRIGHT PROTECTED
DW DESIGN



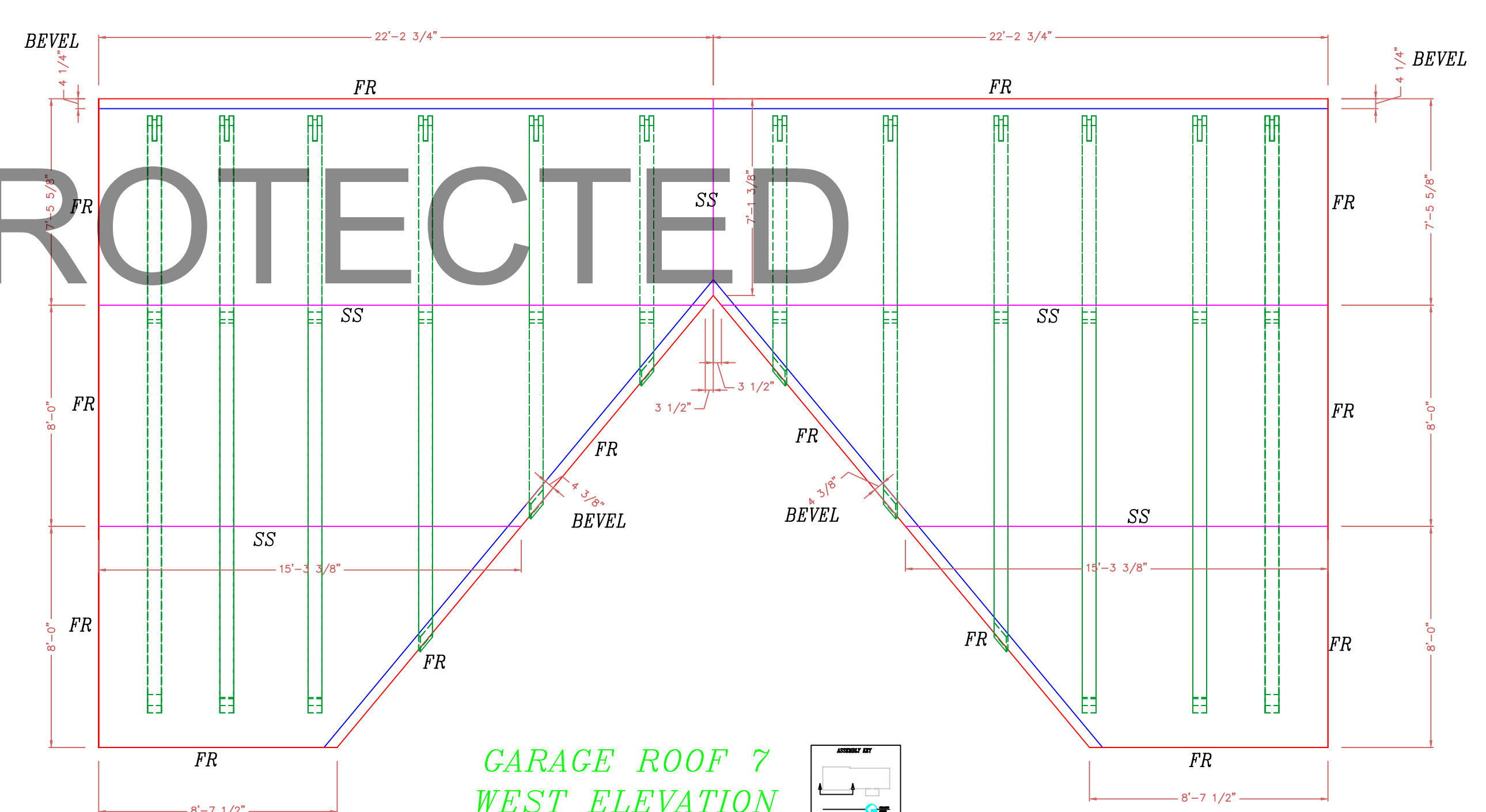
**HOUSE ROOF 5
WEST ELEVATION**

10 1/4" STRUCTURAL INSULATED (E.P.S.) PANELS.



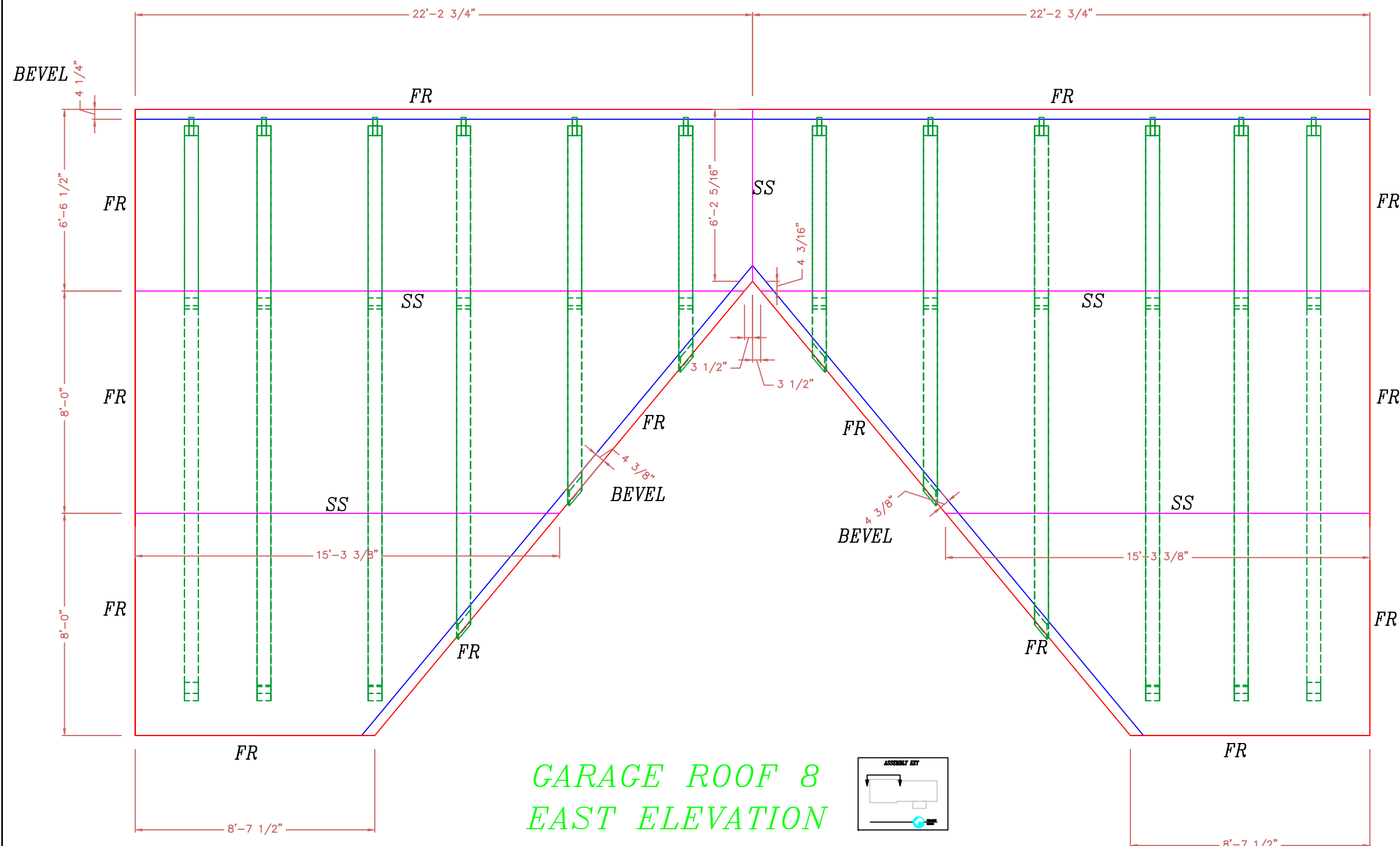
**HOUSE ROOF 6
EAST ELEVATION**

10 1/4" STRUCTURAL INSULATED (E.P.S.) PANELS.



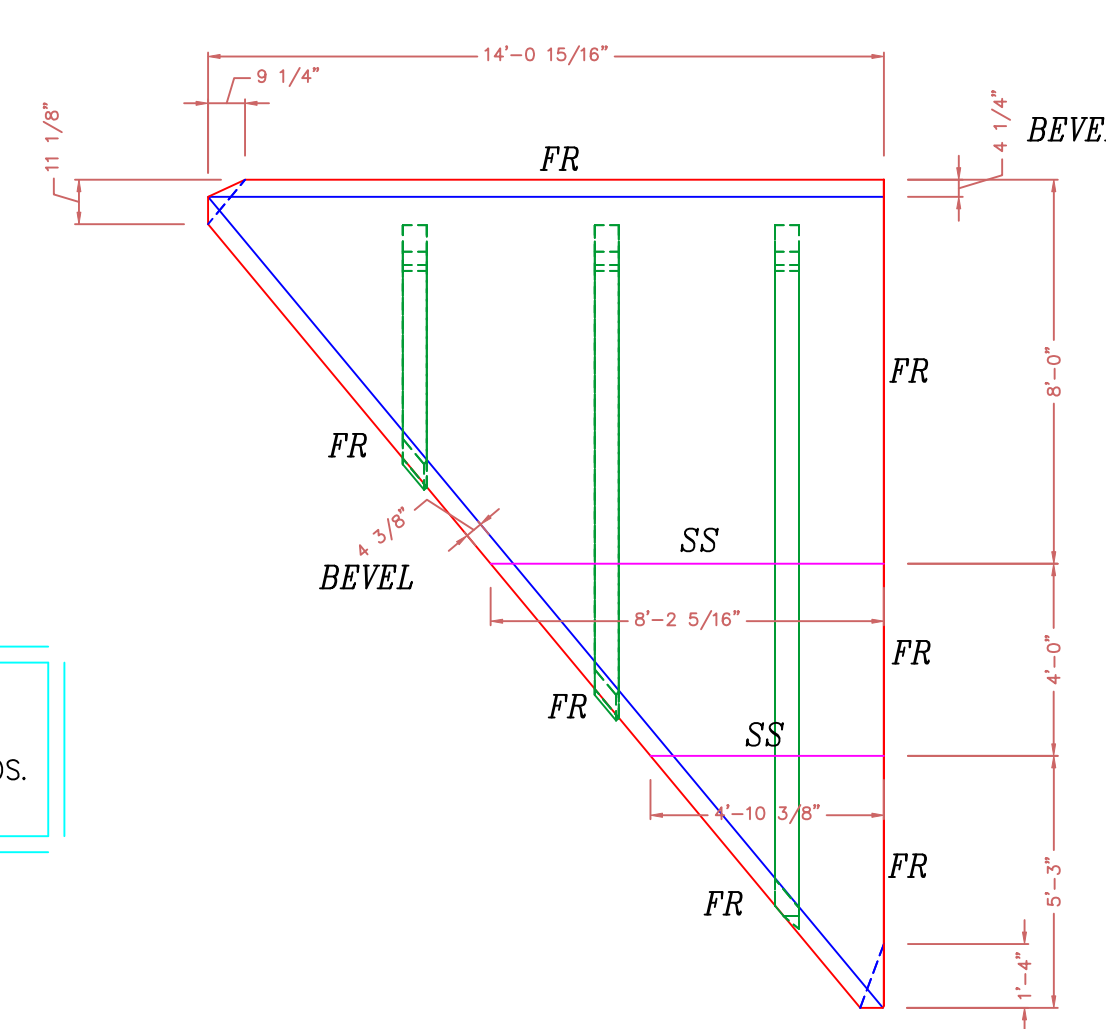
**GARAGE ROOF 7
WEST ELEVATION**

10 1/4" STRUCTURAL INSULATED (E.P.S.) PANELS.



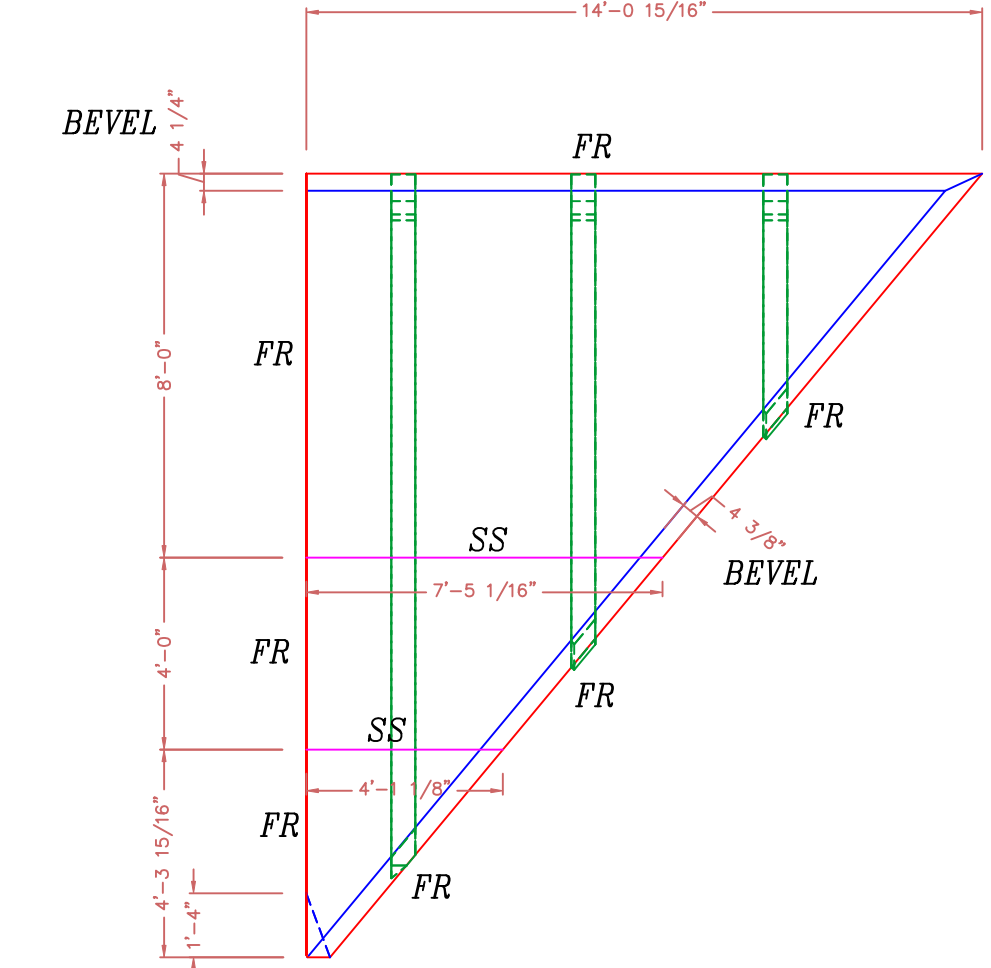
**GARAGE ROOF 8
EAST ELEVATION**

10 1/4" STRUCTURAL INSULATED (E.P.S.) PANELS.



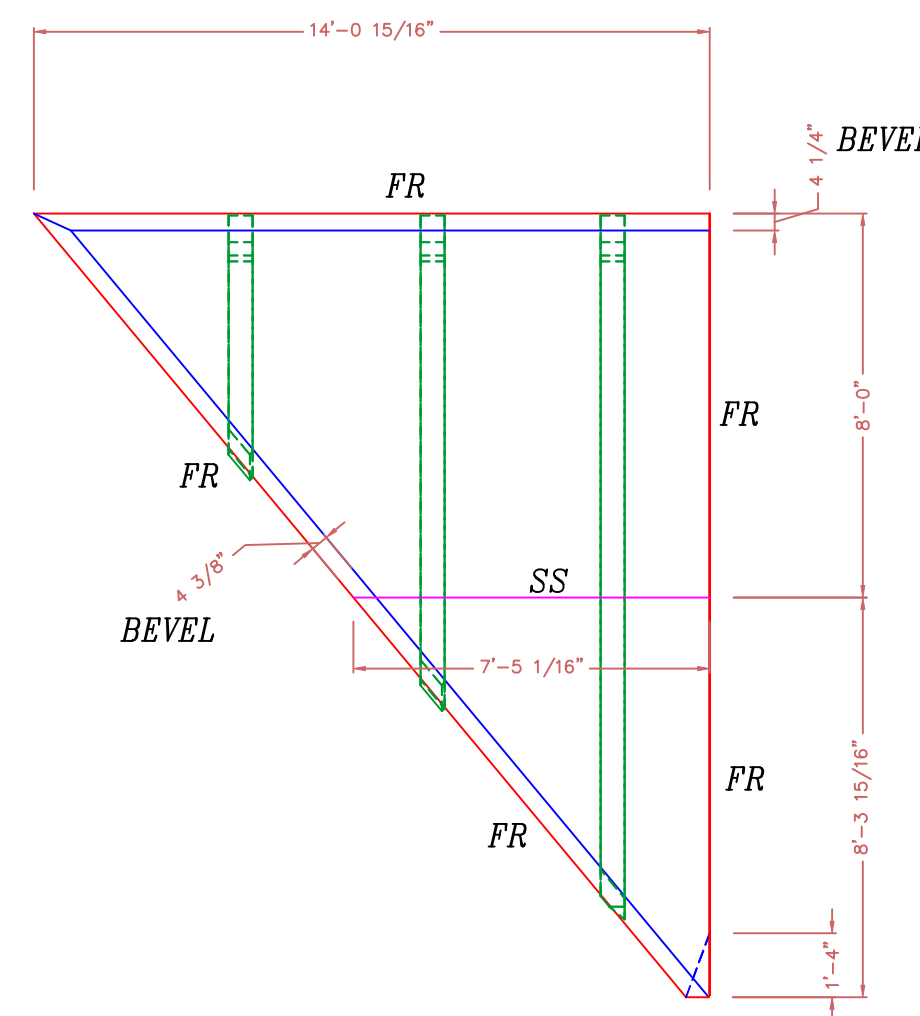
**GARAGE ROOF 10
VIEWED FROM NORTH**

10 1/4" STRUCTURAL INSULATED (E.P.S.) PANELS.



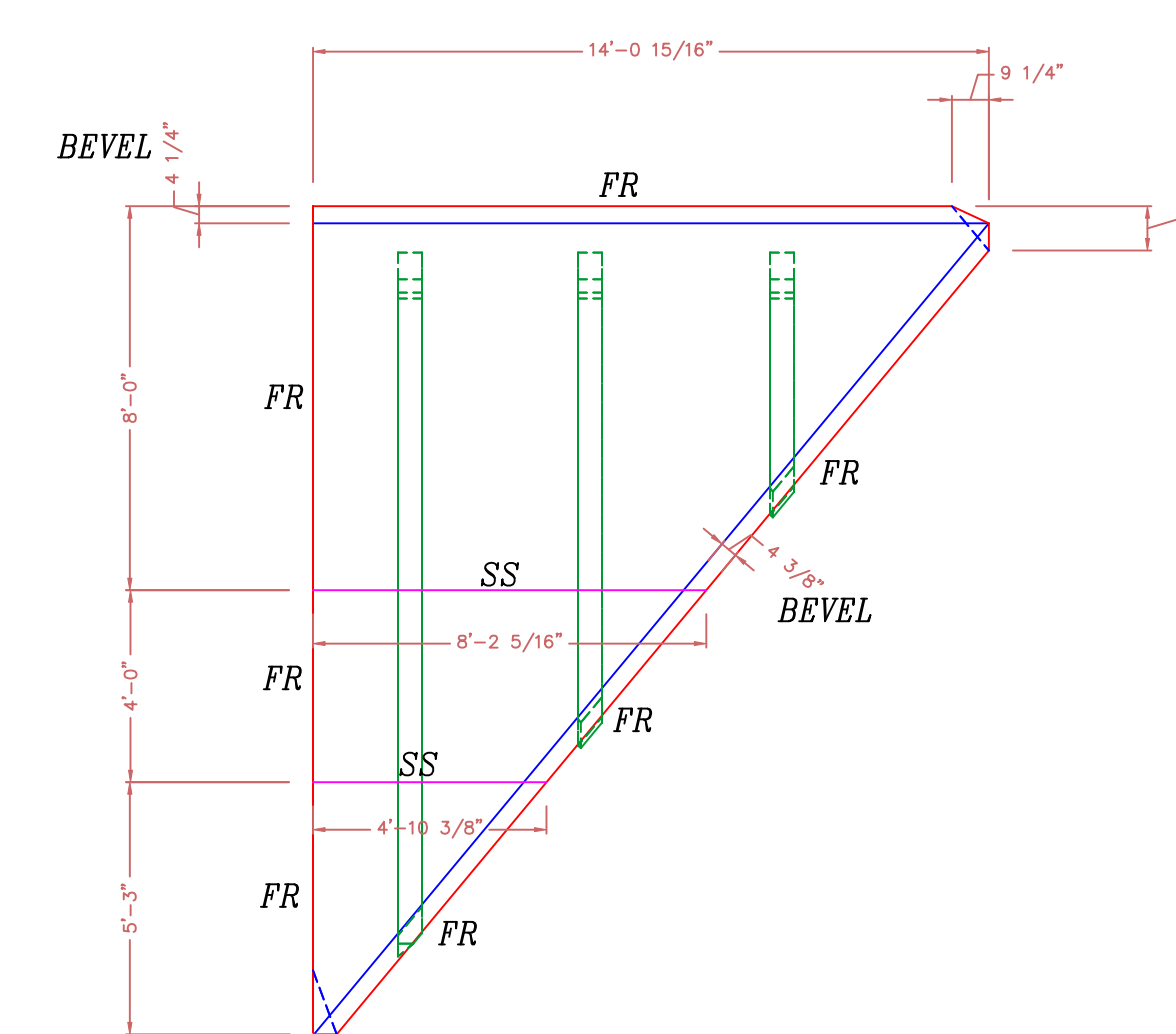
**GARAGE ROOF 9
VIEWED FROM SOUTH**

10 1/4" STRUCTURAL INSULATED (E.P.S.) PANELS.



**GARAGE ROOF 11
VIEWED FROM SOUTH**

10 1/4" STRUCTURAL INSULATED (E.P.S.) PANELS.



**GARAGE ROOF 12
VIEWED FROM NORTH**

10 1/4" STRUCTURAL INSULATED (E.P.S.) PANELS.

ROOF IS 10 1/4" STRUCTURAL INSULATED (E.P.S.) PANELS.
THEY SHALL BE APPLIED TO TIMBER FRAME OVER 3/4" T & G BOARDS.

NOTE:
ALL WINDOW & DOOR OPENINGS ARE FULL ROUTE

- - - - - = HIDDEN CUT (BACK SKIN)
- = VISABLE CUT (FRONT SKIN)

- FR2 = DOUBLE FULL ROUTE
- FR = FULL ROUTE
- HR = HALF ROUTE
- SS = SINGLE SPLINE
- DS = DOUBLE SPLINE
- NR = NO ROUTE

DO NOT SCALE DIMENSIONS ON THESE DRAWINGS. THESE IMAGES ARE MACHINE REPRODUCTIONS AND MAY CONTAIN A MARGIN OF ERROR.

NOTE: ALL PANEL WALLS ARE VIEWED FROM OUTSIDE UNLESS NOTED OTHERWISE

DIMENSIONS TO BE CONFIRMED BY GENERAL CONTRACTOR BEFORE PANELS ARE CUT

COPYRIGHT LAWS PROHIBIT REPRODUCTION OR USE OF THIS DRAWING, IN WHOLE OR IN PART, WITHOUT THE EXPRESSED WRITTEN PERMISSION OF DW TIMBER FRAME DESIGN

REVISIONS	
NUMBER	DESCRIPTION

DATE: 7/27/19

SCALE: 1/4" = 1'-0"

DATE: 4/1/19

DRAWN BY: DEW

CHECKED BY: _____

JOB NAME: **BOLDUC RESIDENCE
FAIRFIELD, VT 05455**

DW TIMBER FRAME DESIGN

TIMBER FRAME & PANEL HOME DESIGN

WWW.TIMBERFRAMEDESIGN.NET

PHONE: (603)852-8251