

skidding winch

FARMI

Operator's
Manual

JL30

JL45 JL50

normet

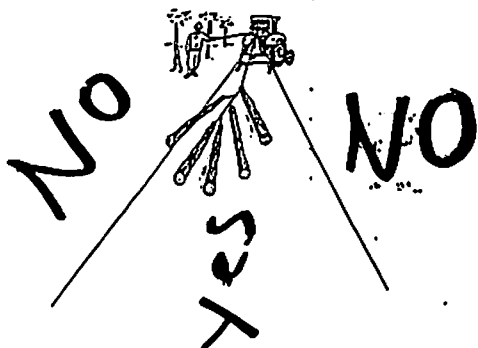


READ BEFORE OPERATING THIS MACHINE

It is the Owner's Responsibility to instruct all Equipment Operators and Support Personnell in the Operation of this winch.

WARNING

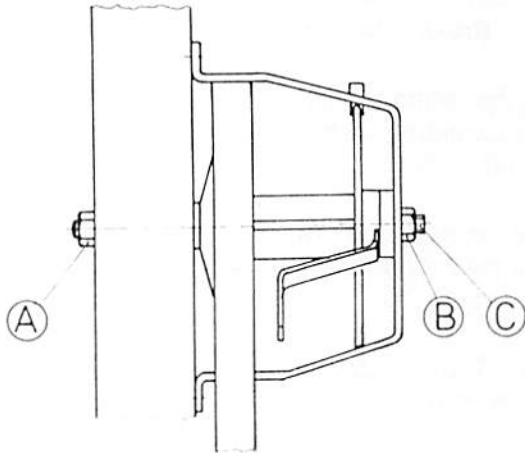
- 1) DO NOT ATTEMPT TO OPERATE THIS WINCH WITHOUT PROPER TRAINING!
- 2) DO NOT OPERATE THIS MACHINE UNTIL THE OWNER'S MANUAL HAS BEEN COMPLETELY READ AND UNDERSTOOD. NEW OPERATOR'S MANUALS ARE AVAILABLE FROM PHONE 607-589-6160. IF THE WARNING DECALS BECOME ILLEGIBLE, NEW DECALS CAN ALSO BE ORDERED.
- 3) KEEP HANDS, FEET AND CLOTHING AWAY FROM POWER DRIVEN PARTS!
- 4) ENSURE THAT THE CABLE IS IN GOOD CONDITION BEFORE OPERATING THE WINCH. IF THE CABLE BREAKS, PARTS OF IT CAN FLY BOTH TOWARD AND AWAY FROM THE WINCH. ENSURE THAT ALL BYSTANDERS ARE OUT OF REACH OF THE CABLE WHEN THE WINCH IS USED.
- 5) NEVER HANDLE CABLE WITHOUT FIRST SHUTTING OFF POWER TAKE-OFF!
- 6) ALWAYS LOCK THE CABLE UNDERNEATH THE LOWER SNATCHBLOCK FOR TRANSPORT.
- 7) DO NOT USE THE WINCH FOR OTHER USES THAN WINCHING AND SKIDDING TREES.
- 8) CHECK THE MOVING PARTS. THEY SHOULD BE FASTENED IN PLACE, IN GOOD WORKING CONDITION AND ALL SHIELDS AND GUARDS MUST BE IN PLACE.
- 9) FAMILIARIZE YOURSELF WITH THE CONTROLS AND HOW TO STOP THE WINCH AND TRACTOR IN AN EMERGENCY.
- 10) DO NOT LET CHILDREN OR INCAPABLE PERSONS OPERATE THE WINCH.
- 11) DO NOT WEAR LOOSE CLOTHING, LOOSE SLEEVES, NECKTIES OR LONG UNCOVERED HAIR AROUND MOVING PARTS OF MACHINERY.
- 12) PARK THE WINCH AND TRACTOR ON LEVEL GROUND FOR WINCHING.
- 13) OPERATE THE WINCH FROM A CONTROL ROPE AT LEAST 6 FEET TO THE SIDE OF THE MACHINE. DO NOT OPERATE THE WINCH FROM THE TRACTOR SEAT IF THERE IS NO PROTECTIVE SHIELD BETWEEN THE SEAT AND THE WINCH.
- 14) ENSURE THAT OTHER PEOPLE DO NOT BECOME ENDANGERED WHEN YOU ARE USING THE WINCH.
- 15) DO NOT LEAVE THE TRACTOR RUNNING UNATTENDED.
- 16) DISENGAGE THE PTO AND TURN THE TRACTOR OFF BEFORE YOU SERVICE THE WINCH. REMOVE THE KEYS SO THE TRACTOR CANNOT BE STARTED UP ACCIDENTALLY.
- 17) USE ONLY ORIGINAL PARTS REPLACEMENTS. DO NOT MAKE ANY MODIFICATIONS.
- 18) INFORM EVERYONE WHO WORKS WITH THE WINCH ABOUT THE RISKS AND HOW THEY CAN AVOID ACCIDENTS.
- 19) STAY ALERT! DO NOT OPERATE THE WINCH WHEN FATIGUED.
- 20) DO NOT WINCH AT SIDEWAYS ANGLES EXCEEDING 30 DEGREES.



- 21) FAILURE TO HEED THE WARNINGS PRINTED ON THE WINCH OR IN THE OPERATOR'S MANUAL MIGHT RESULT IN SERIOUS INJURY OR DEATH.

CONDITION	POSSIBLE CAUSE	REMEDY
Cable gets tangled on the drum	Drum brake too loose	Tighten drum brake. See "Brake Adjustment"
Cable develops kinks	Cable too loose on the drum	Tighten drum brake. See mounting instructions Number 10 Tighten cable on drum. See mounting instructions Number 9
Roller chain comes off	Roller chain too tight	See "Tightening of Roller chain"
Rattling sound	Roller chain too loose	See "Tightening of roller chain"
Insufficient pull on cable	1) Normal wear on clutch 2) Oil on clutch	See "Clutch Adjustment" Take apart and clean
Front end of tractor comes off ground when winching	1) Tractor too light in front 2) Stabilizer legs not touching ground	Add front end weights. Extend stabilizer legs
Tractor slides backward when winching	1) Tractor brakes not on 2) Stabilizer legs not anchoring unit	Lock parking brakes a) Lengthen lifting links b) Pull out stabilizer legs on winch
Too much pull on cable	Tractor light for clutch setting	Loosen clutch setting (see "Clutch Adjustment")
Logs drag on ground when skidding due to insufficient clearance	Lift links of the 3-point hitch set too long	Shorten lift links of the 3-point hitch

PERIODIC SERVICE



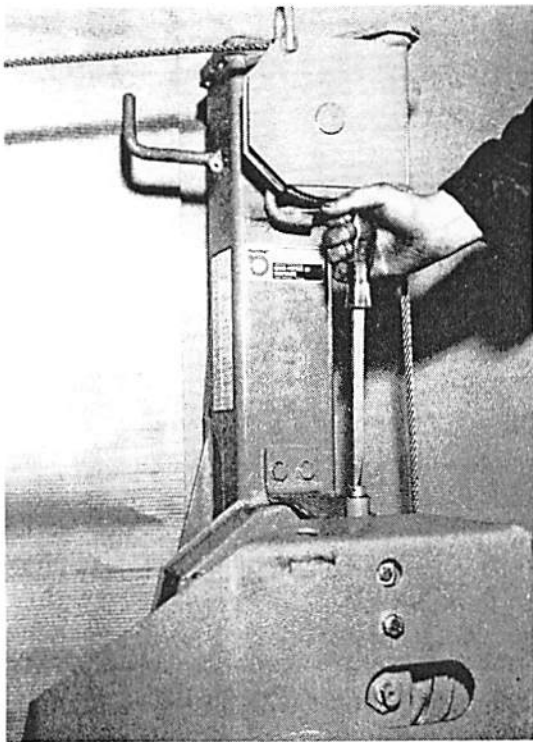
1) CLUTCH ADJUSTMENT

Adjust the clutch so that the clutch grips well, but also releases when the clutch lever is down. Make the clutch adjustment in the following way:

- Loosen the nuts A and B on both ends of the drum axle with a $1\frac{7}{16}$ " wrench (30 mm metric wrench)
- Adjust the clutch by turning the axle C. The clutch loosens clockwise, tightens counterclockwise (usually $\frac{1}{4}$ turn is enough).
- After adjustment retighten the nuts on the ends of the drum axle (A and B).

2) BRAKE ADJUSTMENT

Always adjust the drum brake so that it slows down the drum lightly while pulling out the cable. This will prevent the drum from turning freely and entangling the cable. The brake should not be turned down so much that it is hard to pull out the cable. For adjusting, turn the screw up or down. The brake should be turned down about $\frac{1}{4}$ turn every working day. This will increase the life of the cable.



3) TIGHTENING THE ROLLER CHAIN

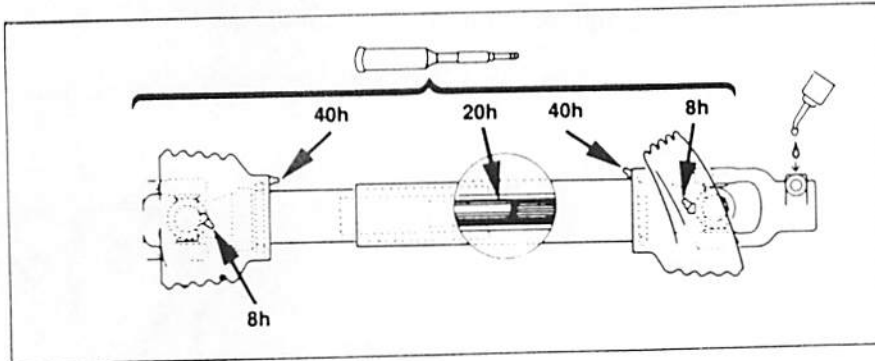
Adjust by moving the chain tightener in the following way:

- Loosen the 2 hexagonal bolts, which lock the chain tightener.
- Move the tightener toward the chain until the chain is suitably tight. The roller chain must have some slack to run properly (the chain has a tendency to come off the sprocket if it is too tight).
- Retighten the bolts.

SERVICE

All models:

Grease the PTO-shaft as shown on illustration below.

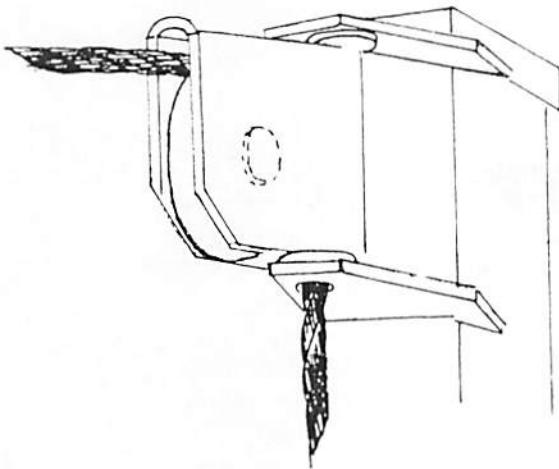


Grease the lower sprocket bearing once a month.

Oil the brake ratchet latch once a week.

LIGHTLY oil the roller chain once a month with chainsaw bar and chain oil.
DO NOT use much oil because it may run into the clutch. If oil does get into the clutch, the entire winch mechanism has to be taken apart to remove the oil from the clutch.

Grease the upper pulley of the JL 45 once a week.



REPLACING THE CABLE

The cable should be replaced when it develops kinks or shows signs of wear.

Note from picture how the cable should be run through the winch frame to the upper pulley. The cable goes through a hole in the frame to the upper pulley. Also tighten new cable as described in mounting instruction 10.

Replace JL 30 cable with 3/8", 7/16 or 10 mm cable.

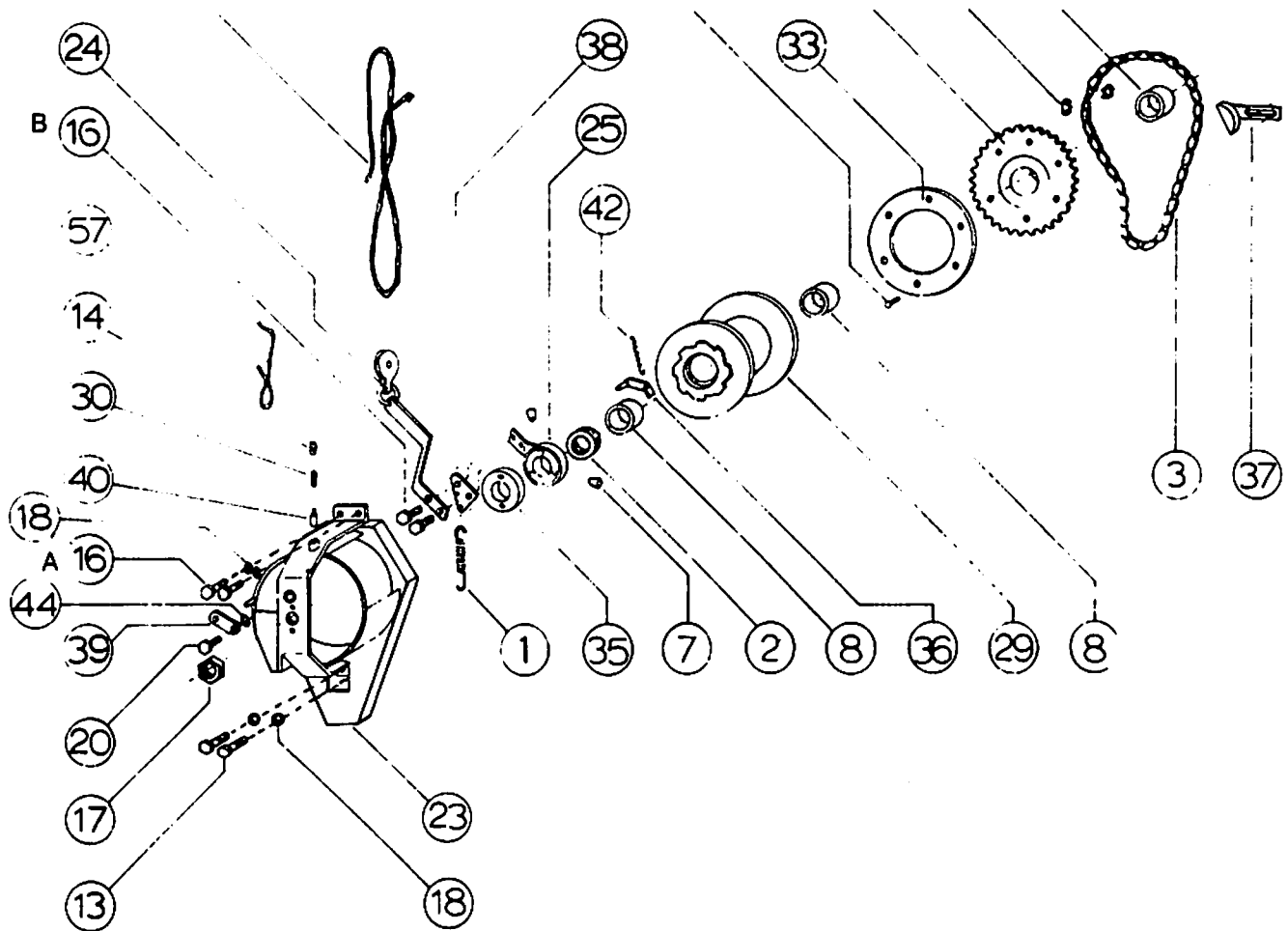
Replace JL 45 and JL 2/45 cable with 1/2" or 12 mm cable.

Replace JL 20 cable with 3/8" cable.

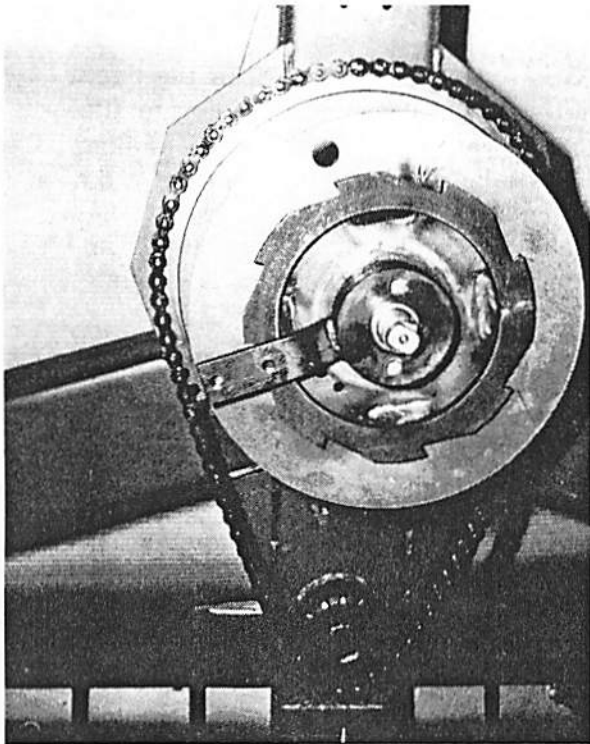
Steel core cable of good quality should be used.

DISASSEMBLY AND REASSEMBLY OF THE FARMI WINCH

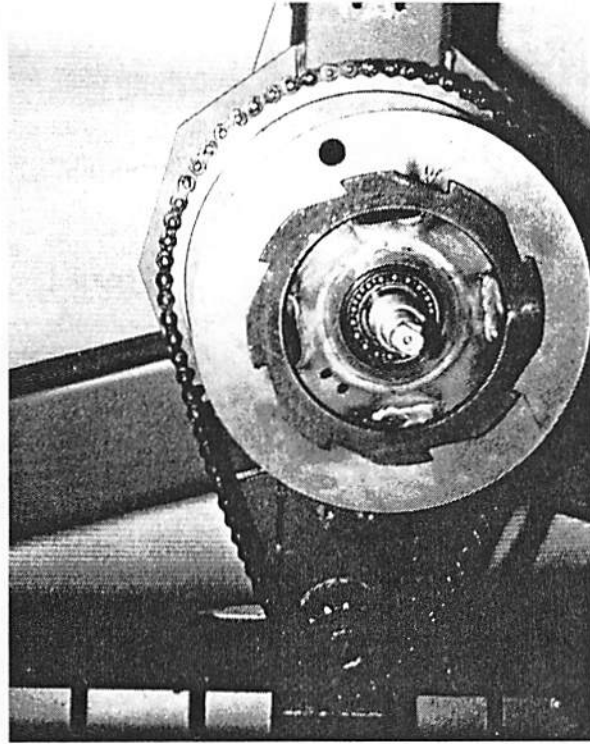
Overolling of the chain is the number one reason for having to take apart the Farmi winch. The reason is that excess oil runs into the clutch causing the clutch to slip. First try to adjust the clutch. If clutch adjustment does not help, follow instructions below. These instructions are based on the Farmi JL 30 model but apply to other Farmi models as well:



- 1) Remove brake fastening screw #14 and pull out brake spring #30 and brake piece #40.
- 2) Remove the 2 bolts #13 and the 2 bolts #A16. Remove chain tightener #37. Remove hexagon nut #17.
- 3) Observe how the spring fastener plate #38 is turned and remove the 2 bolts #B16 on the lever extension #24.
- 4) Pull out drum cover #23.
- 5) Mark with a felt tip pen the internal position of the clutch halves #25 and #35. Keep the clutch halves together and retain their internal position. This is best done by taping the clutch halves together. Remove clutch halves by turning counter clockwise. If clutch halves come apart refer to picture "A" on the next page for proper internal positions of the clutch halves.
- 6) Remove thrust bearing #2 (picture "B" shows thrust bearing with one flange removed) Observe the internal positions of the 3 pieces of the thrust bearing so it is replaced turned the same way.
- 7) Pull the wire drum #29 out a few inches and remove oil from wire drum and the clutch pads. Finally rub the clutch pads clean with sand paper.



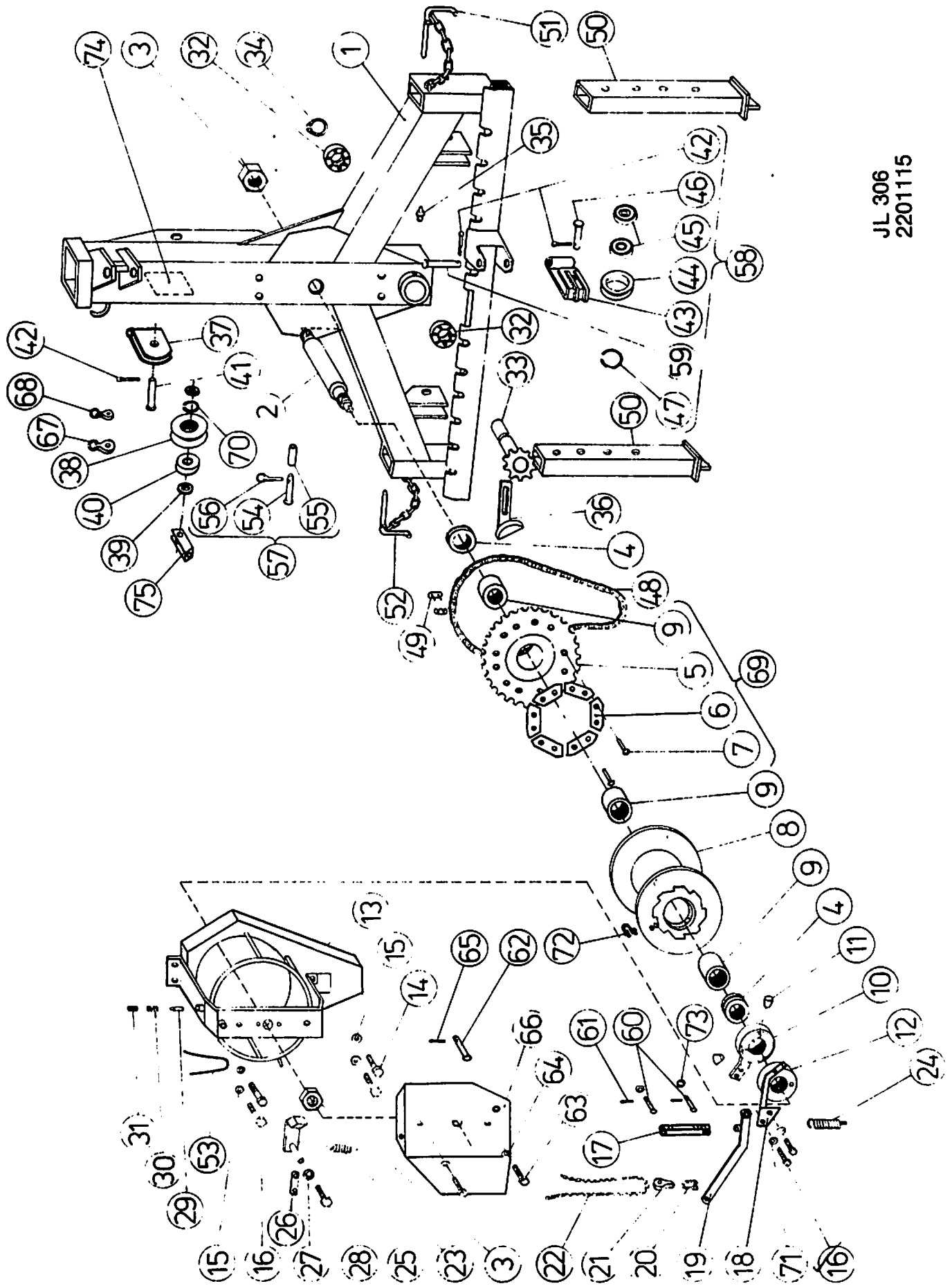
A



B

REASSEMBLY OF THE WINCH

- 1) Push wire drum back against the clutch pads.
- 2) Replace thrust bearing #2.
- 3) The clutch halves #25 and #35 are kept together and the bundle is threaded back on the axle. Remove the tape holding the clutch halves together. (If the clutch halves come apart and the rollers fall out: Replace the rollers so that the thin end is toward the axle. Find correct internal position of the clutch halves from picture "A")
- 4) Put drum cover #25 back on axle, but do not fasten bolts.
- 5) Line up spring fastener plate #38 and lever #24 and replace bolts #B16.
- 6) Line up the holes in clutch half #35 with the brackets in the drum cover. Push the drum cover in so that the brackets go inside the holes in the clutch half.
- 7) Thread in bolts #A16 loosely.
- 8) Replace the chain tightener #37 by threading in bolts #13 loosely. The chain tightener comes on top of the drum cover.
- 9) Observe that the drum cover brackets are still in the clutch half holes (see 6 above) and tighten bolts A16.
- 10) See "Tightening of Roller Chain" in operators manual and tighten bolts #18.
- 11) Replace nut #17 but do not tighten yet. Adjust clutch. See "Clutch Adjustment" in operators manual.
- 12) Replace brake piece #40 spring #30 and screw #14. Adjust brake according to instructions in operators manual under "Brake Adjustment".



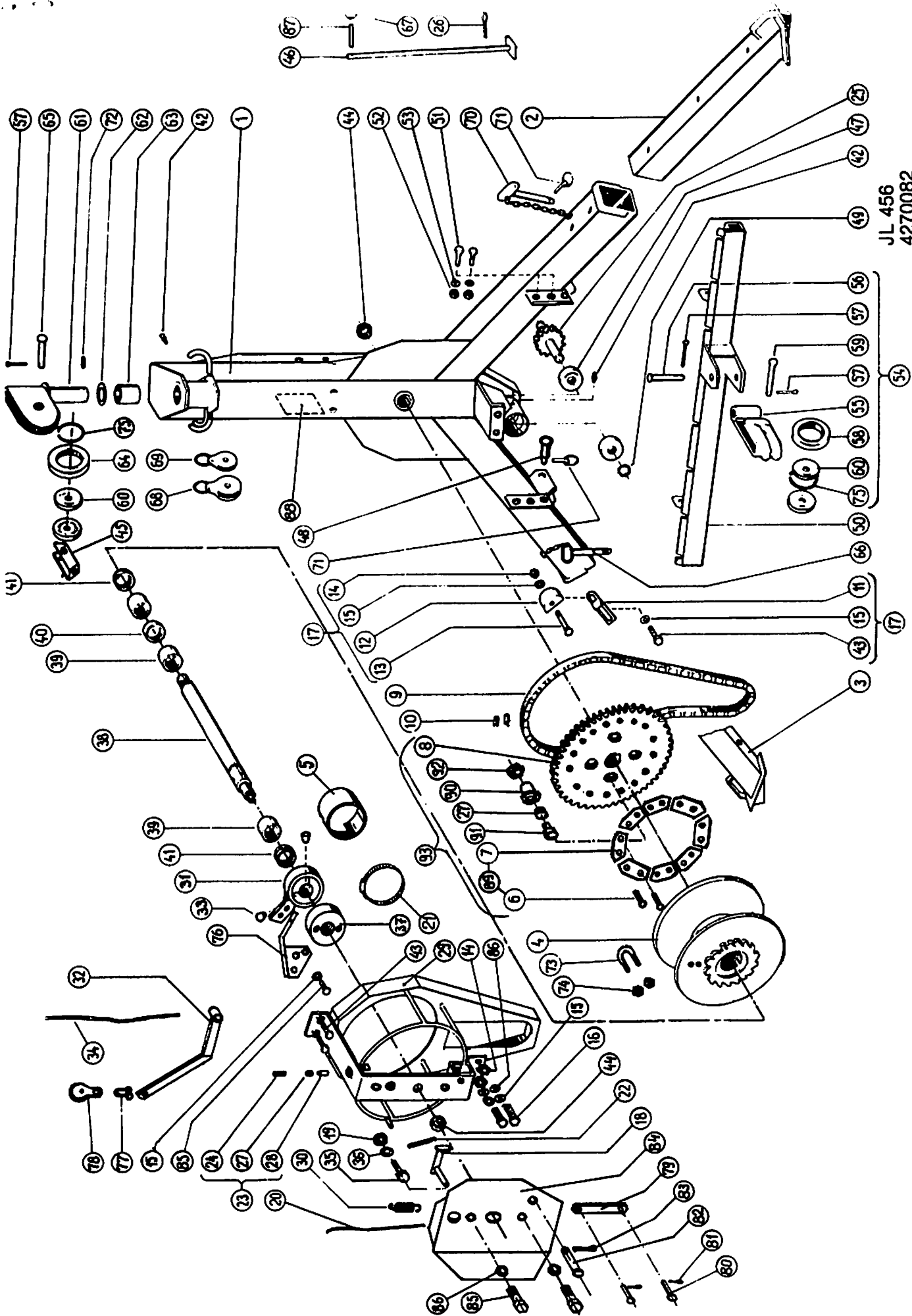
JL 306
2201115

JL 30 JL 45 JL 50 SPARE PART LIST

from serial number
201590982

Picture nr	Order nr	Name	Pcs
1	10730018	Frame	1
2	30730048	Drum axle	1
3	52111101	Hexagonal nut M 24	2
4	54542055	Bearing	2
5	20730776	Main sprocket	1
6	42722744	Fricktion plate	6
7	52830015	Rivet	12
8	30581607	Wire drum	1
9	54562053	Bearing D 45/55—45	3
10	30730063	Clutch half	1
11	40660235	Roller	3
12	30730055	Clutch half	1
13	02010312	Drum support and cover	1
14	52060357	Hexagonal nut M 10 x 35	2
15	52200045	Washer D 10	4
16	52060225	Hexagonal bolt M 10 x 25	4
17	42010413	Washer	1
18	32010365	Spring fastener	1
19	22010359	Lever extension	1
20	54815018	Schackel	1
21	42700419	Pulley D 40	1
22	02010643	Clutch rope L 3500	1
23	94611019	Latch spring	1
24	94613015	Lever return spring	1
25	40582157	Latch	1
26	40580185	Latch lever	1
27	52214046	Star washer D 8	1
28	52060118	Hexagonal bolt M 8—16	1
29	40444119	Brake piece	1
30	94601010	Brake spring	1
31	52008158	Fastening, screw M 20—25	1
32	54511308	Ball bearing 6007 Z	2
33	40562183	Shaft and sprocket	1
34	52230067	Circlip 35—2,5	1
35	52401015	Grease nipple R 1/8"	1
36	40580128	Chain tightener	1
37	22281042	Snatchblock guard	1
38	42281220	Snatchblock	1
39	42380717	Washer	2
40	54511118	Ball bearing 6305 2Z	1

Picture nr	Order nr	Name	Pcs
41	92823087	Snatchblock pin	1
42	52813219	Cotter pin D 6—40	3
43	20880019	Lower snatchblock guard	1
44	40880056	Lower snatchblock	1
45	54511217	Bearing 6206 Z	2
46	92820216	Snatchblock pin	1
47	94635018	Spring	1
48	54820014	Rollchain 5/8"-83 links	1
49	54820048	Chain link 5/8"	1
49	54820055	Reducing chain link 5/8"	1
50	30561401	Support leg	2
51	82822016	Pin	1
52	82822024	Supporting leg pin	1
53	02010650	Latch rope L 2500	1
54	92820182	Lower link pin	2
55	40293797	Sleeve for lower link pin	2
56	52842150	Ring pin D 10	2
57	92820893	Lower lin pin, compl.	2
58	20880001	Lower snatchblock, compl.	1
59	92820075	Lower snatchblock guard pin	1
60	92820026	Lever pin	2
61	52813011	Splint D 2—15	2
62	92823046	Clutch lever pin	1
63	52062031	Hexagonal bolt M 12—40	2
64	52211059	Spring washer M 12	2
65	52813078	Splint D 2—25	1
66	22010342	Front plate	1
67	40720799	Pulley + ring D 40	1
68	40720625	Pulley + ring D 35	1
69	20730685	Main sprocket	1
70	52231123	Circlip for hole D 62—2	1
71	52211042	Spring washer M 10	2
72	40730129	Cable fastener	1
73	52200037	Washer M 8	2
75	32722639	Finger prodection	1



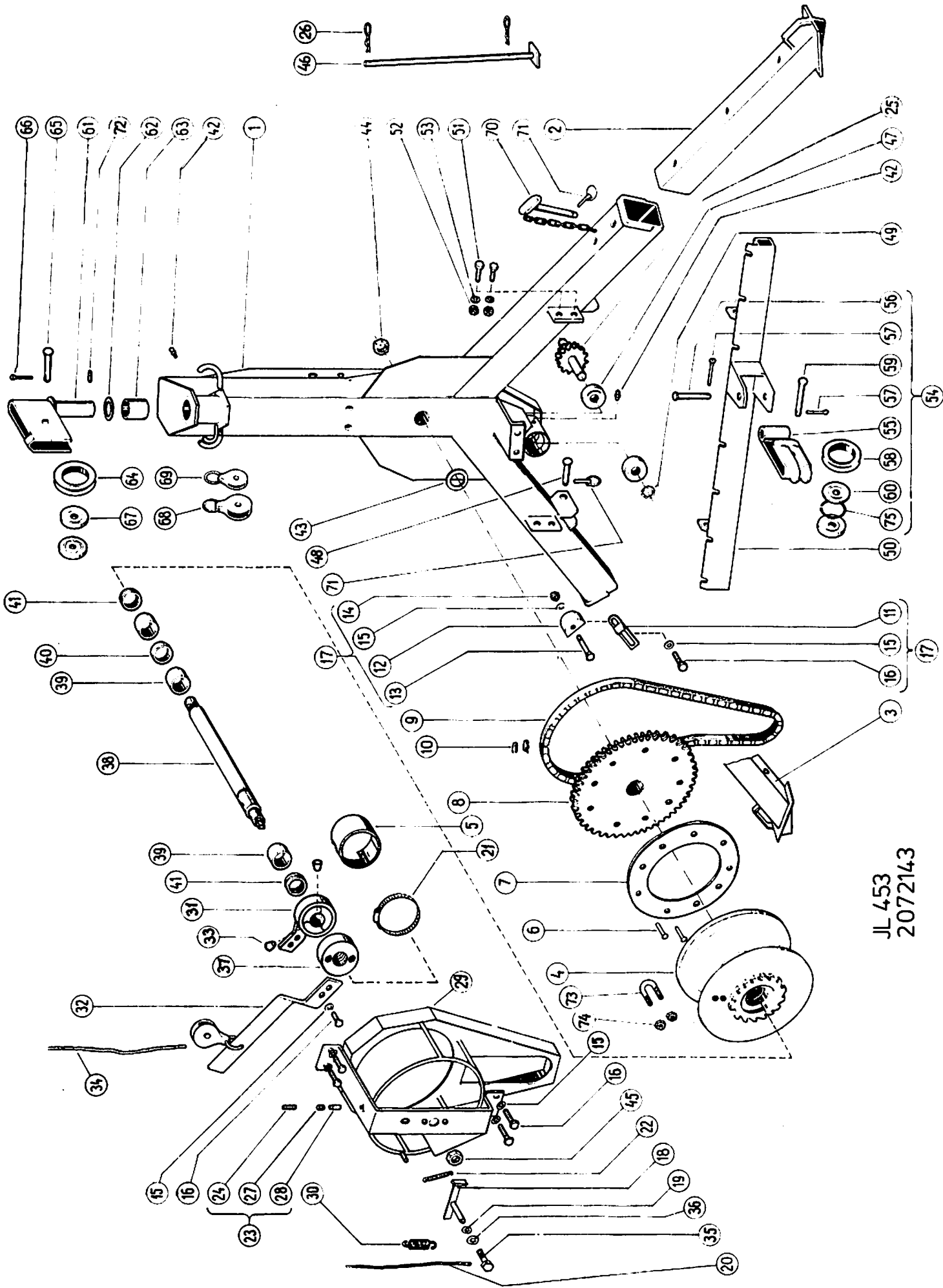
JL 456
4270082

JL 456 SPARE PART LIST

From serial number
270239782

Picture nr	Order nr	Name	Pcs
1	10830511	Frame	1
2	30720726	Supporting leg	1
3	30720718	Supporting leg	1
4	22700793	Wire drum	1
5	30660294	Rubber guard	1
6	52830049	Rivet ϕ 1/4 x 1 3/8"	16
7	42722744	Friction plate	8
8	22271464	Main sprocket	1
9	54820063	Doubleroll chain 2 x 5/8" x 97	1
10	54820113	Normal chain line 2 x 5/8"	1
	54820121	Reducing chain link 2 x 5/8"	1
11	40721474	Chain tightener shaft	1
12	40444143	Chain tightener piece	1
13	52021102	Screw M 10 x 70	1
14	52110053	Hexagonal nut M 12	3
15	52200052	Washer M 12	9
16	52062031	Hexagonal bolt M 12 x 40	2
17	30444137	Chain tightener comp: 11—16	1
18	40720690	Latch	1
19	52200219	Washer ϕ 22 x 32 x 2	1
20	02010650	Rope l = 2500	1
21	54917257	Hose clamp	1
22	94612017	Latch spring	1
23	00445015	Brake, compl. 24, 27, 28	1
24	52008158	Fastening screw M 20 + 25	1
25	30720528	Lower sprocket	1
26	52842143	Spring pin	2
27	94601010	Brake spring	5
28	40444119	Brake piece	1
29	22700017	Drum guard	1
30	94613031	Clutch spring	1
31	32700429	Clutch half	1
32	22700082	Lever extension	1
33	40660235	Roller	3
34	02010643	Clutch rope l = 3500	1
35	52060118	Hexagonal bolt M 8 x 16	1
36	52200235	Washer M 8	1
37	30720148	Clutch half	1
38	30720155	Drum axle	1
39	54562053	Bearing ϕ 55/45—45	4
40	42271130	Bearing ϕ 55/45—22	1
41	54542063	Thrust bearing 51209	2
42	52401015	Grease nipple R 1/8"	2
43	52062023	Hexagonal bolt M 12 x 30	4
44	52110103	Hexagonal nut M 24 SFS 2067	2
45	30830418	Finger Guard	1
46	32270274	Winch stay	1
47	54511316	Bearing 6207 Z	2

Picture nr	Order nr	Name	Pcs
48	92820893	Lower link pin, complete	2
49	52230067	Circlip ϕ 35 x 2,5	1
50	20444204	Notched beam	1
51	52062221	Hexagonal bolt M 20 x 50	4
52	52110087	Hexagonal nut M 20	4
53	52211083	Washer M 20	4
54	20880001	Lower snatch block, parts: 55—60, 75	1
55	20880019	Snatchblock guard	1
56	92820075	Pin	1
57	52813219	Cotter pin ϕ 6 x 40	3
58	40880056	Snatch block	1
59	92820216	Snatch block pin	1
60	54511217	Bearing SKF 6206 Z	4
61	32700643	Upper snatchblock guard	1
62	52200276	Ring ϕ 60 x 75 x 3	1
63	54562103	Bearing sleeve ϕ 55/60—60	1
64	40720831	Snatch block	1
65	9282087	Snatchblock pin	1
66	82822479	Stabilizer pin	1
67	54924089	Ball head ϕ 25/10	1
68	40720799	Pulley + ring ϕ 40	1
69	40720625	Pulley + ring ϕ 35	1
70	82822073	Stabilizer pin	1
71	52842150	Ring pin ϕ 10	2
72	52006210	Hexagonal bolt M 12 x 19	1
73	40720062	Wire lock	1
74	52110038	Hexagonal nut M 8	2
75	94635018	Spring	2
76	32700148	Cylinder and spring ear	1
77	54815048	Shackle	1
78	42700419	Pulley	1
79	42010413	Spacer lever	1
80	92820026	Pin	2
81	52813011	Cotter pin ϕ 2 x 15	2
82	42700187	Pin	1
83	52813052	Cotter pin ϕ 3 x 25	1
84	22700058	Front plate	1
85	52062015	Hexagonal bolt M 12 x 20	4
86	52211059	Spring washer	4
87	52840030	Spring pin ϕ 10 x 80	1
88			
89	02700763	Friction plates with rivets	1
90	42270868	Bushing	4
91	42271155	Sleeve	4
92	52117108	Nut M 10 IL	4
93	22271456	Main sprocket, parts 6, 7, 8, 27, 39, 40, 90, 91, 92	1



JL 453
2072143

Spare part list JL 453

Picture no.	Order no.	Name	PCS
1	1083051	Frame	1
2	3072072	Supporting leg	1
3	3072071	Supporting leg	1
4	2044020	Wire drum	1
5	3066029	Rubber guard	1
6	5283004	Brake rivet \varnothing 1/4" — 1 3/8"	9
7	4072060	Friction plate	1
8	2072105	Main sprocket	1
9	5482006	Double roller chain	1
10	5482011	Normal chain link	1
	or 5482012	Reducing chain link	1
11	4044415	Chain tightener shaft	1
12	4044414	Chain tightener piece	1
13	5202110	Latch screw M 12x70	1
14	5211005	Hexagonal nut M 12	1
15	5220005	Washer M 12	8
16	5206201	Hexagonal screw M 12x25	8
17	3044413	Chain tightener, compl. parts 11—16	1
18	4072069	Latch	1
19	5220021	Washer \varnothing 22x32x2	1
20	5482412	Rope	1
21	5491725	Hose clamp	1
22	9461201	Latch spring	1
23	0044501	Brake, compl. parts 24, 27, 28	1
24	5200815	Fastening screw M 20x25	1
25	3072052	Lower sprocket	1
26	5284214	Spring pin	2
27	9460101	Brake spring	1
28	4044411	Brake piece	1
29	2072067	Drum guard	1
30	9461303	Clutch spring	1
31	3072016	Clutch half	1
32	3072080	Lever extension	1
33	4066023	Roller	3
34	5482413	Clutch rope	1
35	5206011	Hexagonal screw M 8x16	1
36	5260023	Washer M 8	1
37	3072014	Clutch half	1
38	3072015	Drum axle	1
39	5456205	Bearing \varnothing 55/45—45	4
40	5456206	Bearing \varnothing 55/45—22	1
41	5454206	Thurst bearing SKF 51209	2
42	5240101	Grease nipple R 1/8"	2
43	4019406	Plate	1
44	5211010	Hexagonal nut M 24 SFS 2067	1
45	5211110	Hexagonal nut M 24 SFS 2068	1
46	3066018	Winch stay	1
47	5451131	Bearing SKF 6207 Z	2
48	9282019	Lower link pin	2
49	5223006	Circlip \varnothing 35x2,5	1
50	2044420	Notched beam	1
51	5206222	Hexagonal screw M 20x50	4
52	5211008	Hexagonal nut M 20	4
53	5221108	Spring washer M 20	4
54	0044504	Lower snatchblock (parts 55—60, 75)	1
55	2088001	Snatchblock guard	1
56	9282007	Pin	1
57	5281321	Cotter pin	1
58	4088005	Snatchblock	1
59	9282021	Snatchblok pin	1
60	5451121	Bearing SKF 6206 Z	2
61	3072111	Upper snatchblock guard	1
62	5220027	Ring	1
63	9456210	Bearing sleeve 55/60—60	2
64	4072083	Snatchblock	1
65	9282021	Snatchblock pin	1
66	5281321	Cotter pin \varnothing 6x40	1
67	5451121	Bearing SKF 6206 Z	2
68	4072079	Pulley \varnothing 40	1
69	4072062	Pulley \varnothing 35	1
70	8282207	Stabilizer pin	2
71	5284215	Ring pin \varnothing 10	2
72	5200621	Hexagon screw M 12x19	1
73	4072006	Wire lock	1
74	5211003	Hexagonal screw M 8 SFS 2067	2
75	9463501	Spring	1