

APPLICATION

The R8222B and R8800B Switching Relays provide spdt switching in Honeywell Trol-A-Temp Zone Control Systems.

R8222B Specifications:

Contact Ratings (Amperes per pole):

	120 Vac	240 Vac	277 Vac
Full Load	12	6	6
Locked Rotor	60	35	35
Resistive	15	15	15
Horsepower	1/2 hp	1/2 hp	1/2 hp

Ambient Temperature Range: -20° to +155° F [-29° C to 68° C].

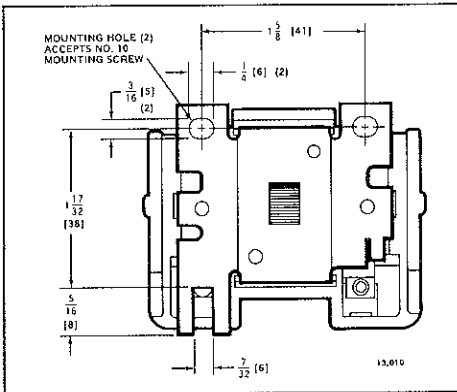


Fig. 1—R8222B installation dimensions.

R8800B Specifications:

Contact Ratings (Amperes per pole):

	120 Vac	240 Vac	277 Vac
Full Load	12	8	6
Locked Rotor	60	48	36
Resistive	20.8	20.8	20.8
Horsepower	1/2 hp	1 hp	1 hp

Ambient Temperature Range: -40° to +185° F [-40° C to 85° C].

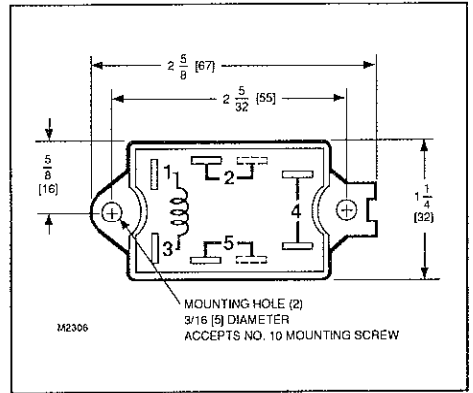


Fig. 2—R8800B installation dimensions.

INSTALLATION

WHEN INSTALLING THIS PRODUCT...

1. Read these instructions carefully. Failure to follow them could damage the product or cause a hazardous condition.
2. Check the ratings given in these instructions and on the product to ensure the product is suitable for your application.
3. Ensure the installer is a trained, experienced service technician.
4. After completing installation, use these instructions to check product operation.

CAUTION

Disconnect power supply before beginning installation to prevent electrical shock or equipment damage.

MOUNTING

1. Mount the R8222B and R8800B in any position on a flat, solid surface close to the equipment being controlled.
2. Secure the R8222B and R8800B with two screws through the mounting holes in the base. Refer to Fig. 2 or 3.

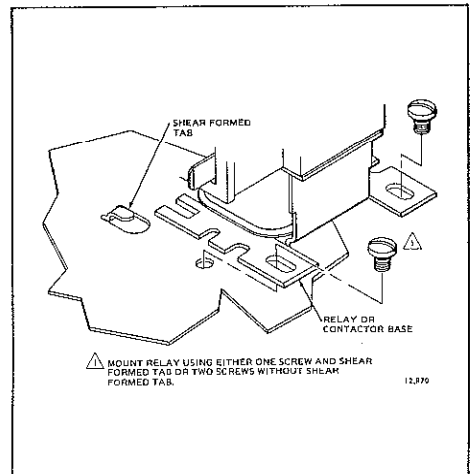


Fig. 3—Mounting the R8222B.

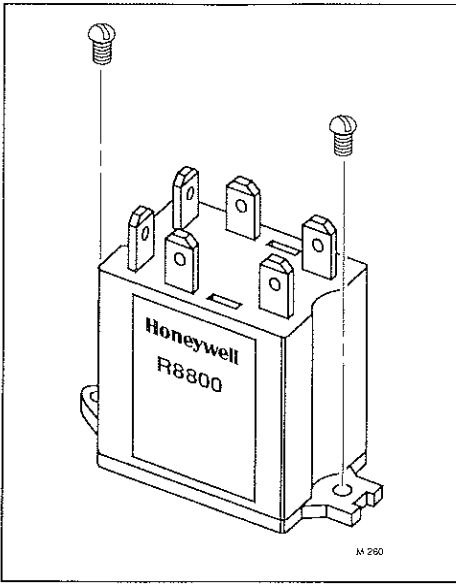


Fig. 4—Mounting the R8800B.

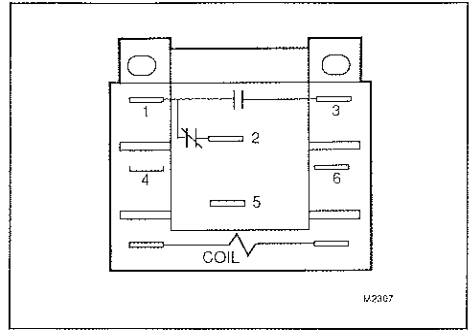


Fig. 5—R8222B switching configurations.

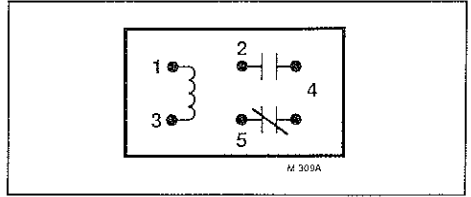


Fig. 6—R8800B switching configurations.

WIRING

1. Crimp female quick-connects to the system wires and attach to the male quick-connect terminals on the R8222B or R8800B. Terminal numbers are molded into the relay for easy identification while wiring.

2. Refer to Fig. 5 or 6 for terminal designations and switching configurations.

3. Do not exceed the contact and coil ratings when wiring R8222B or R8800B to the system.

4. Ensure there is adequate control power to operate the R8222B or R8800B coil.

CHECKOUT

Operate the relay and controlled equipment to ensure the relay pulls in when the coil is energized and that the controlled equipment operates as intended.

The relay will chatter if there is not adequate supply voltage to the coil. Supply voltage that is too low or that has been rectified will shorten the relay life.