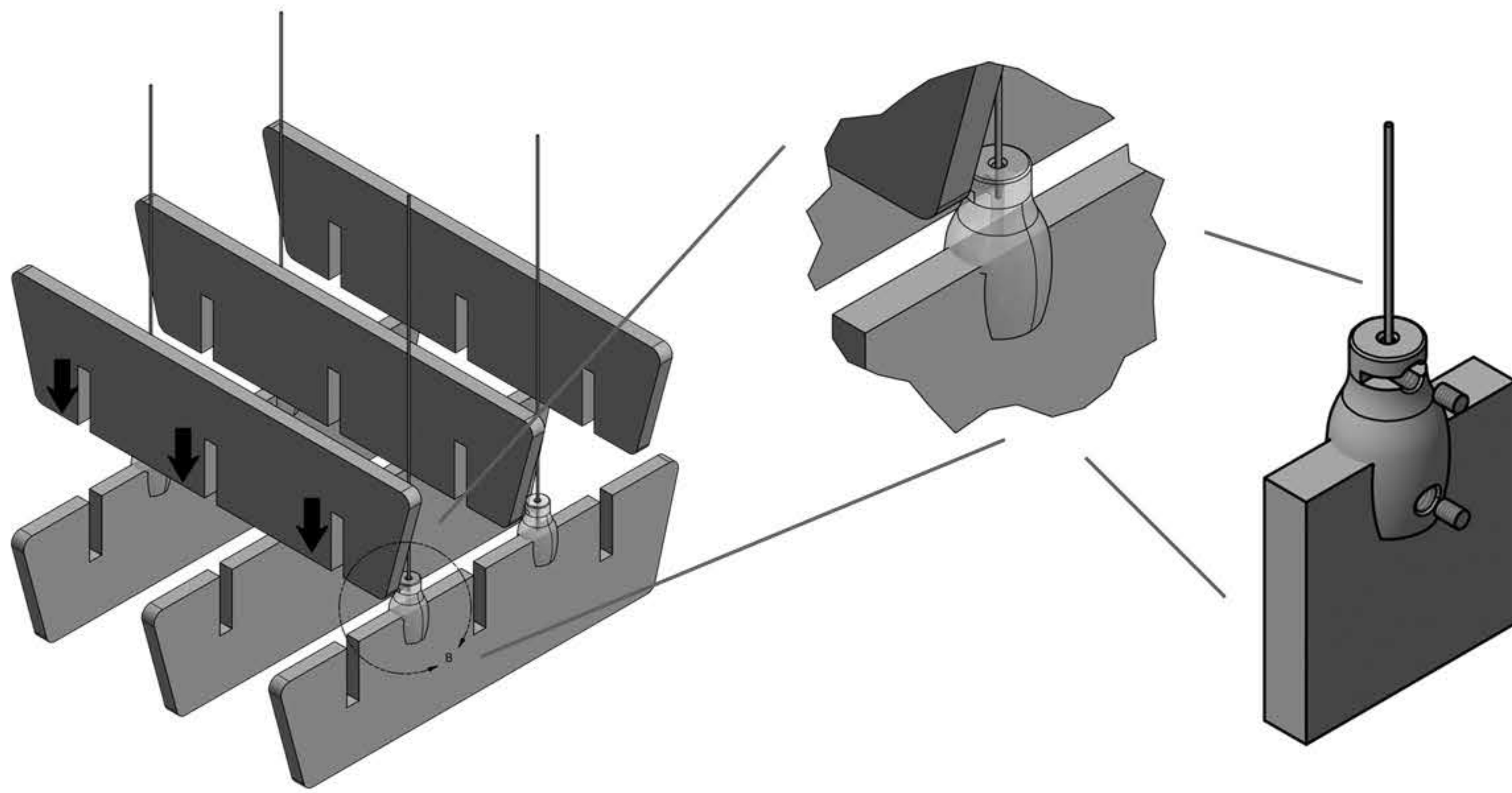


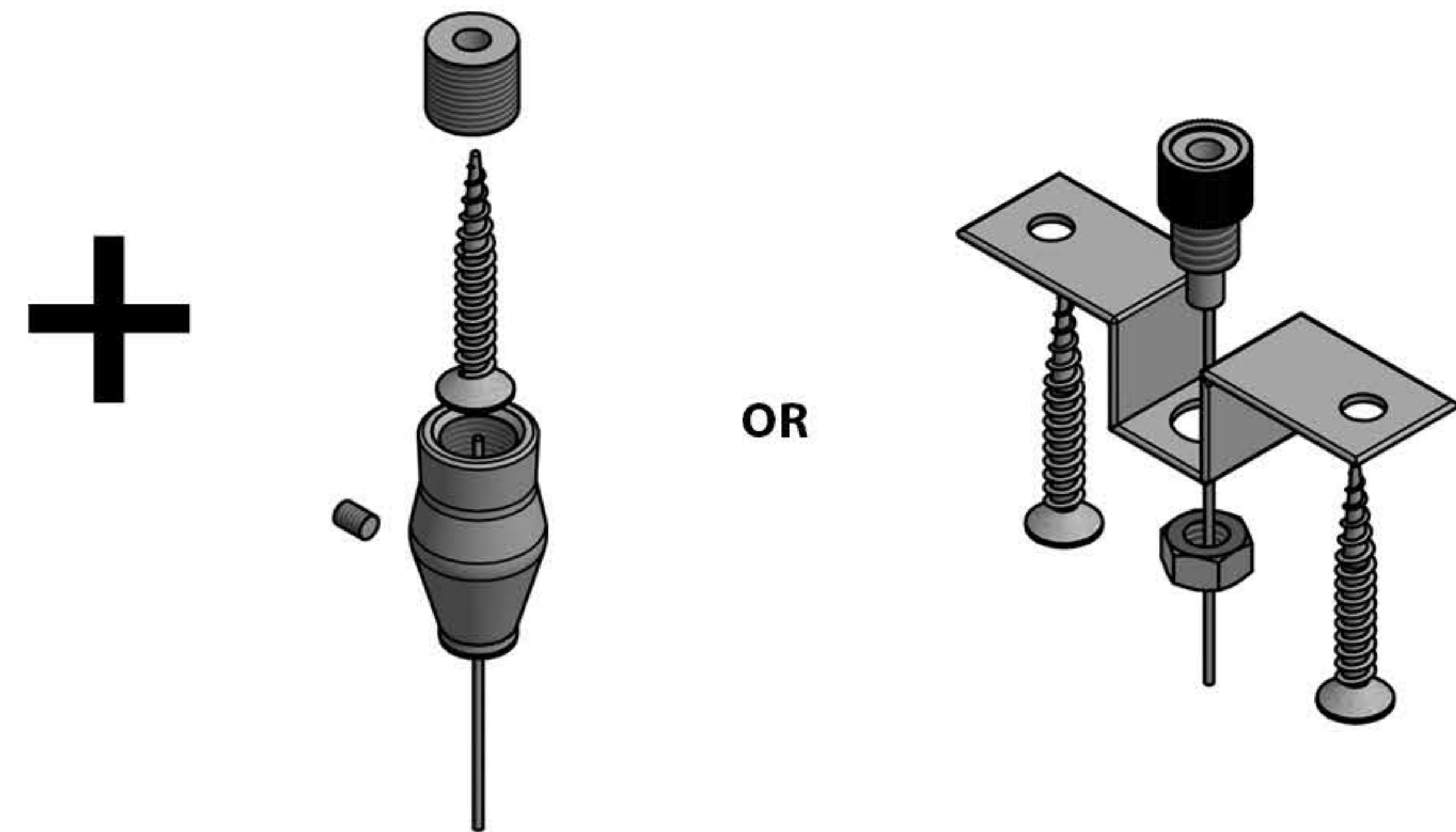
RESONANCE HARDWARE

for RESONANCE BAFFLES

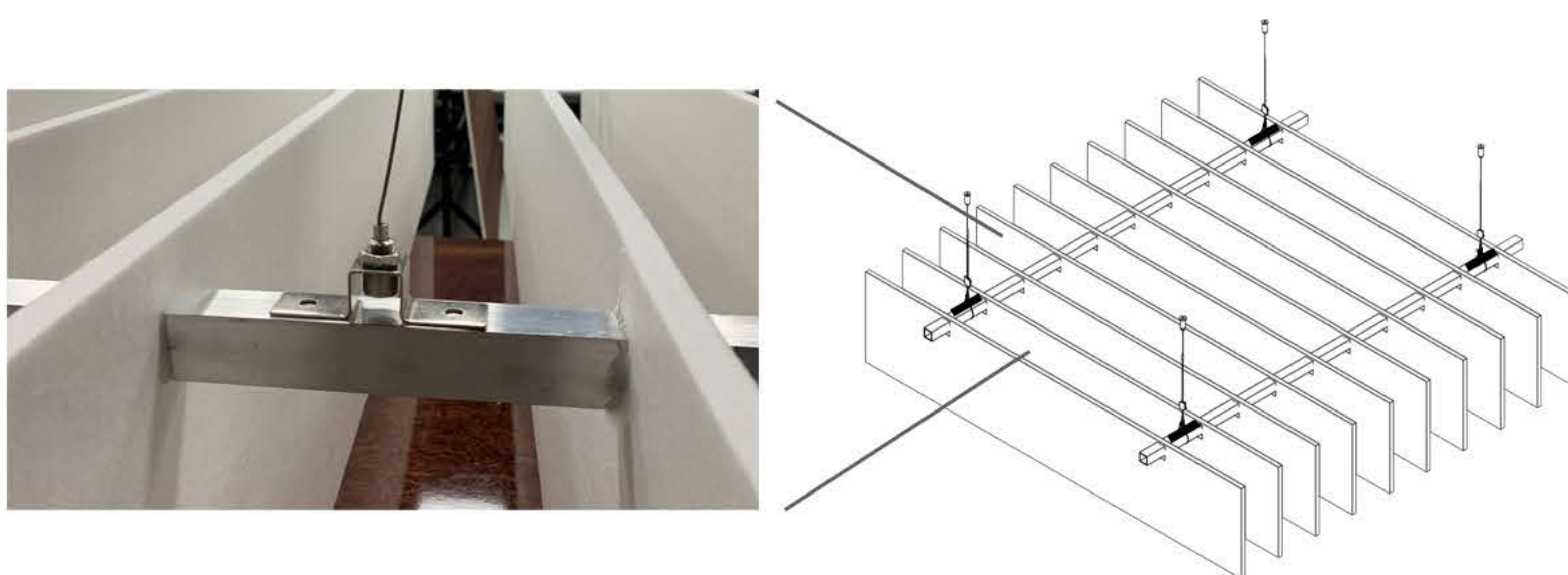
Interlocking Baffle example.



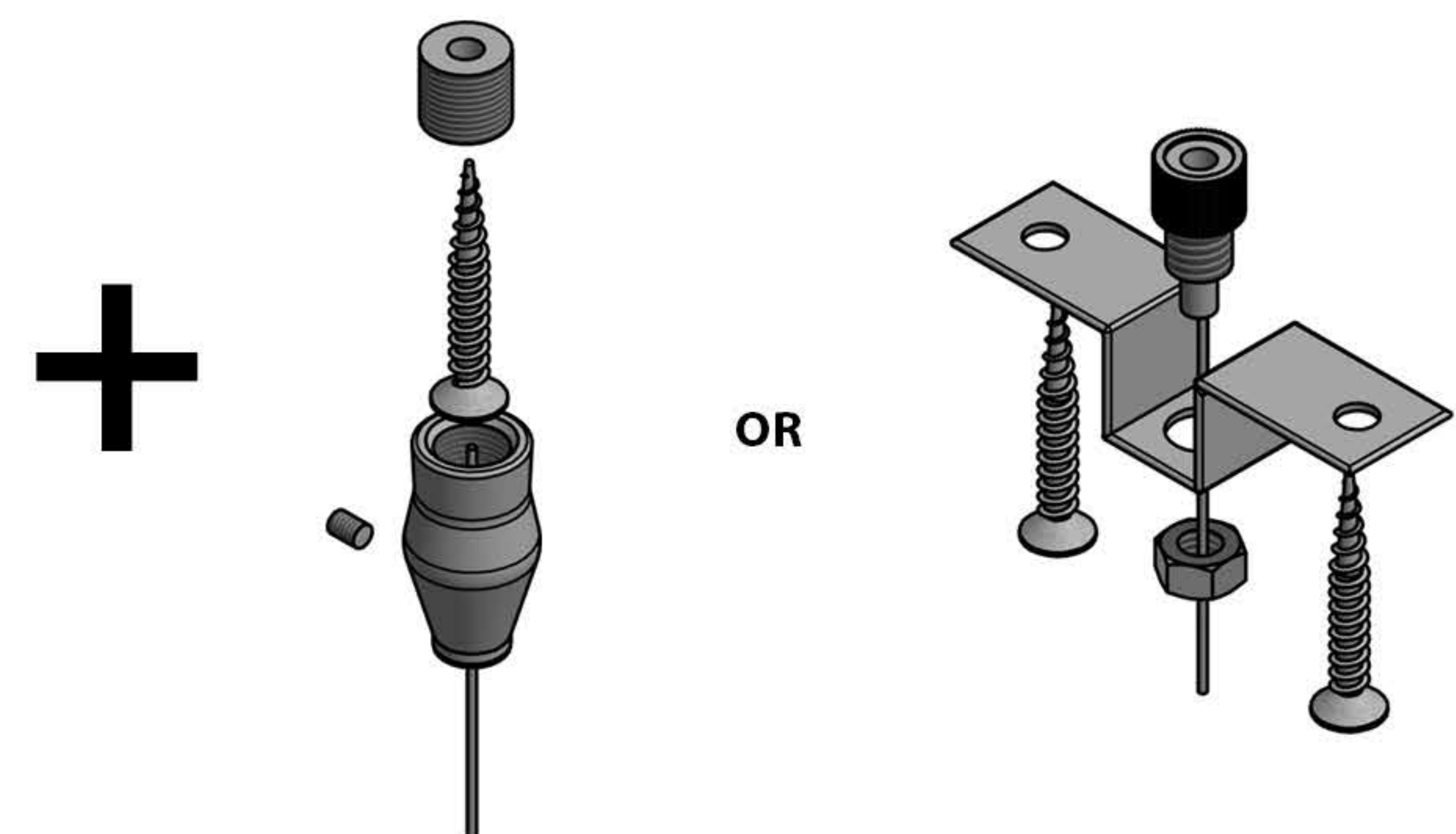
Mount to ceiling:



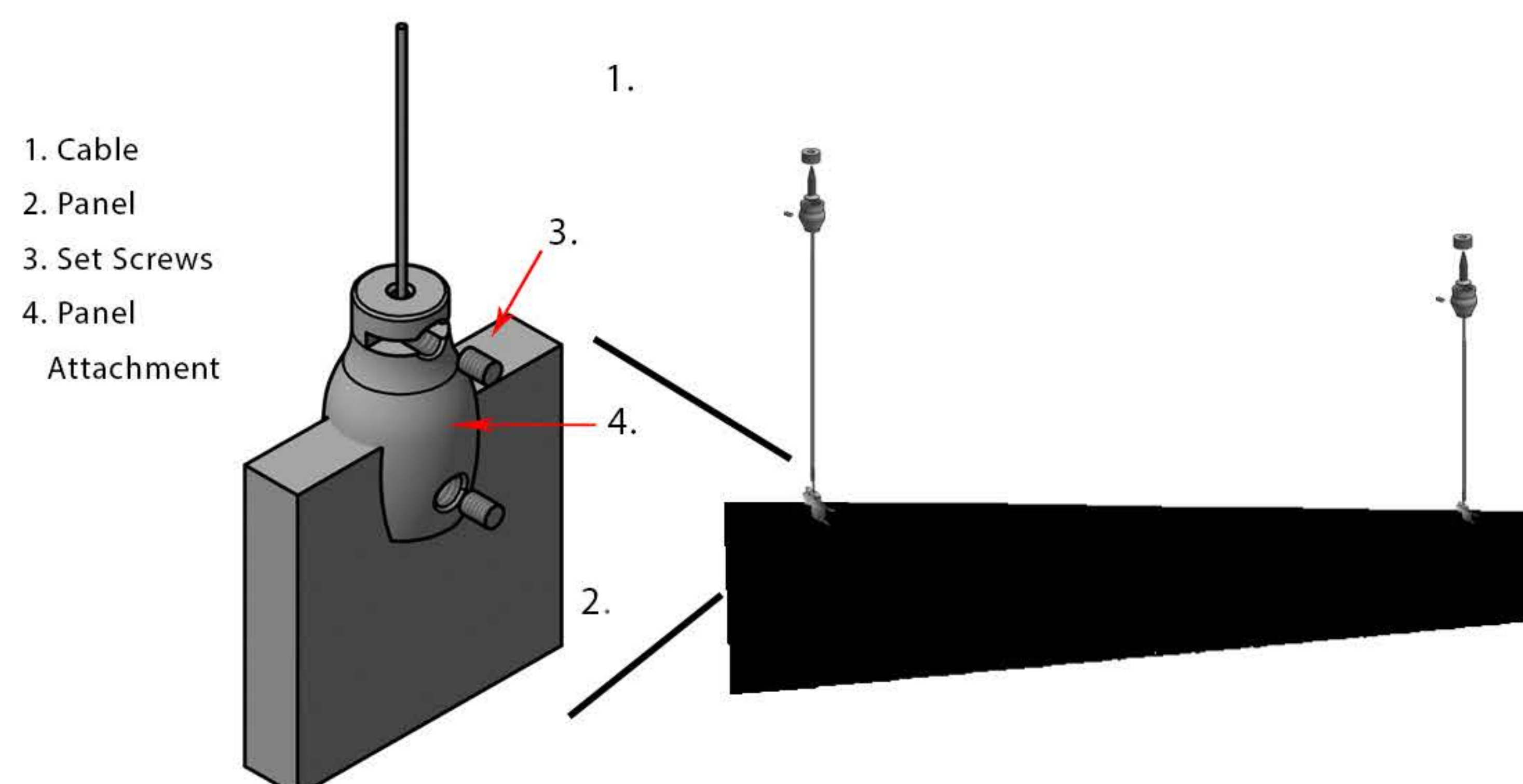
Square Tube Baffle example.



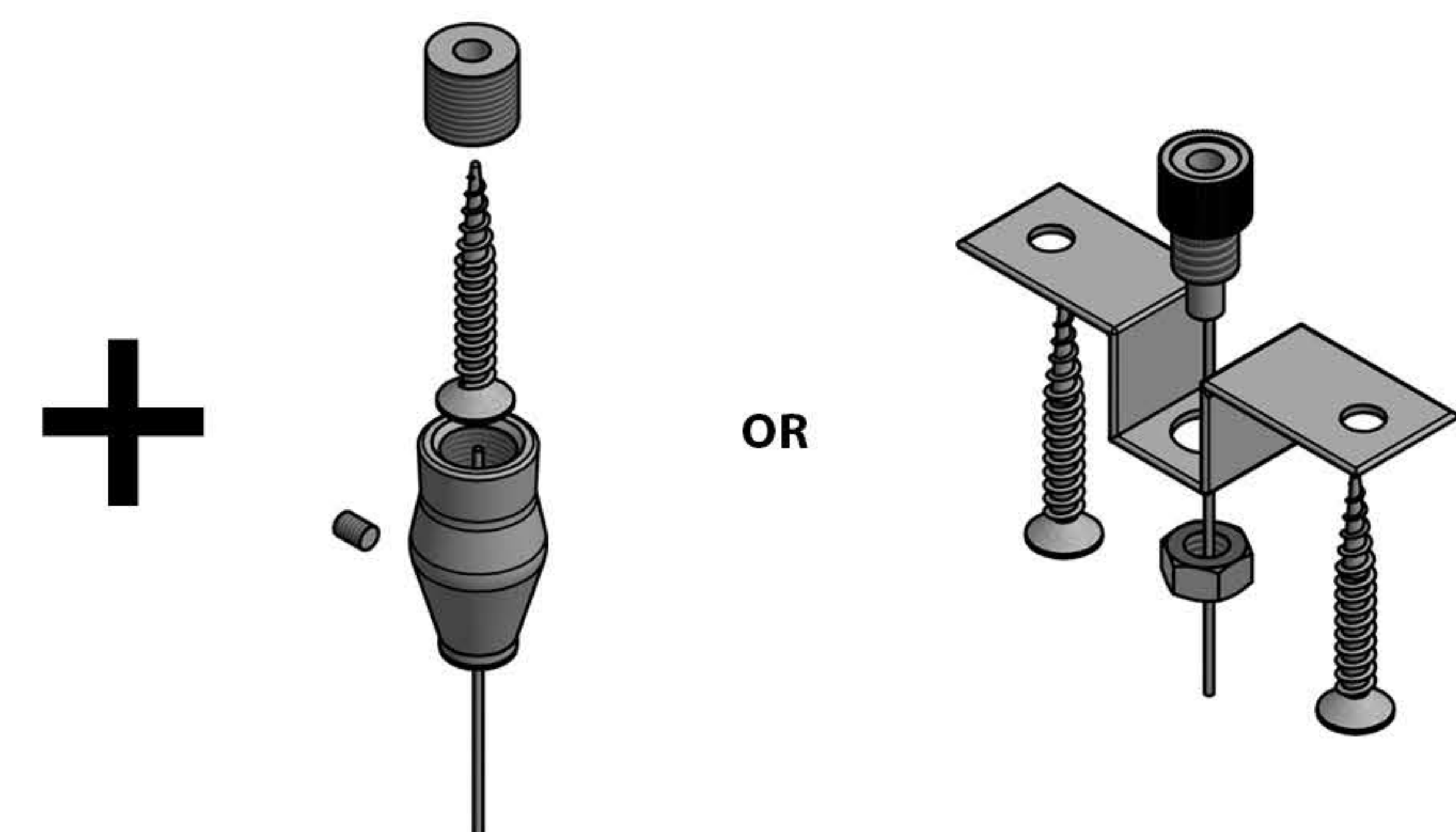
Mount to ceiling:



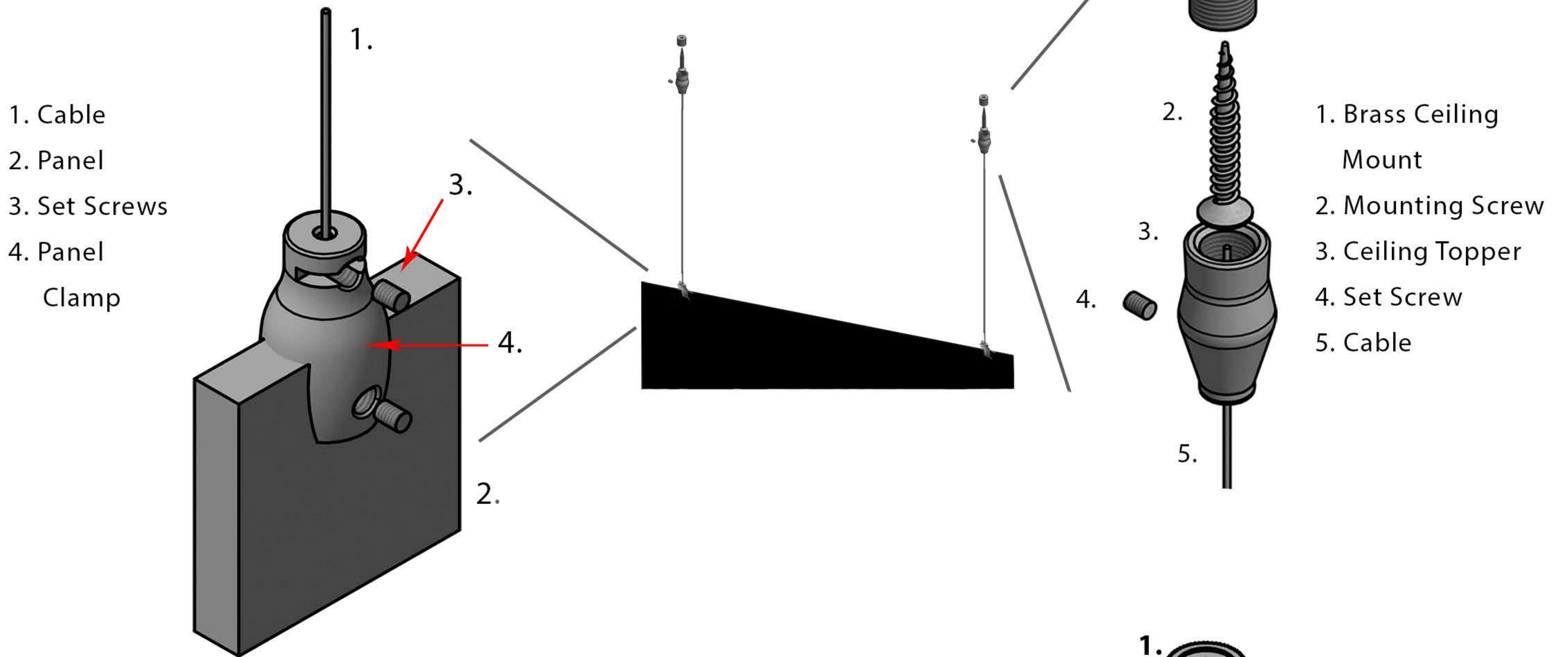
Individual Baffle example.



Mount to ceiling:

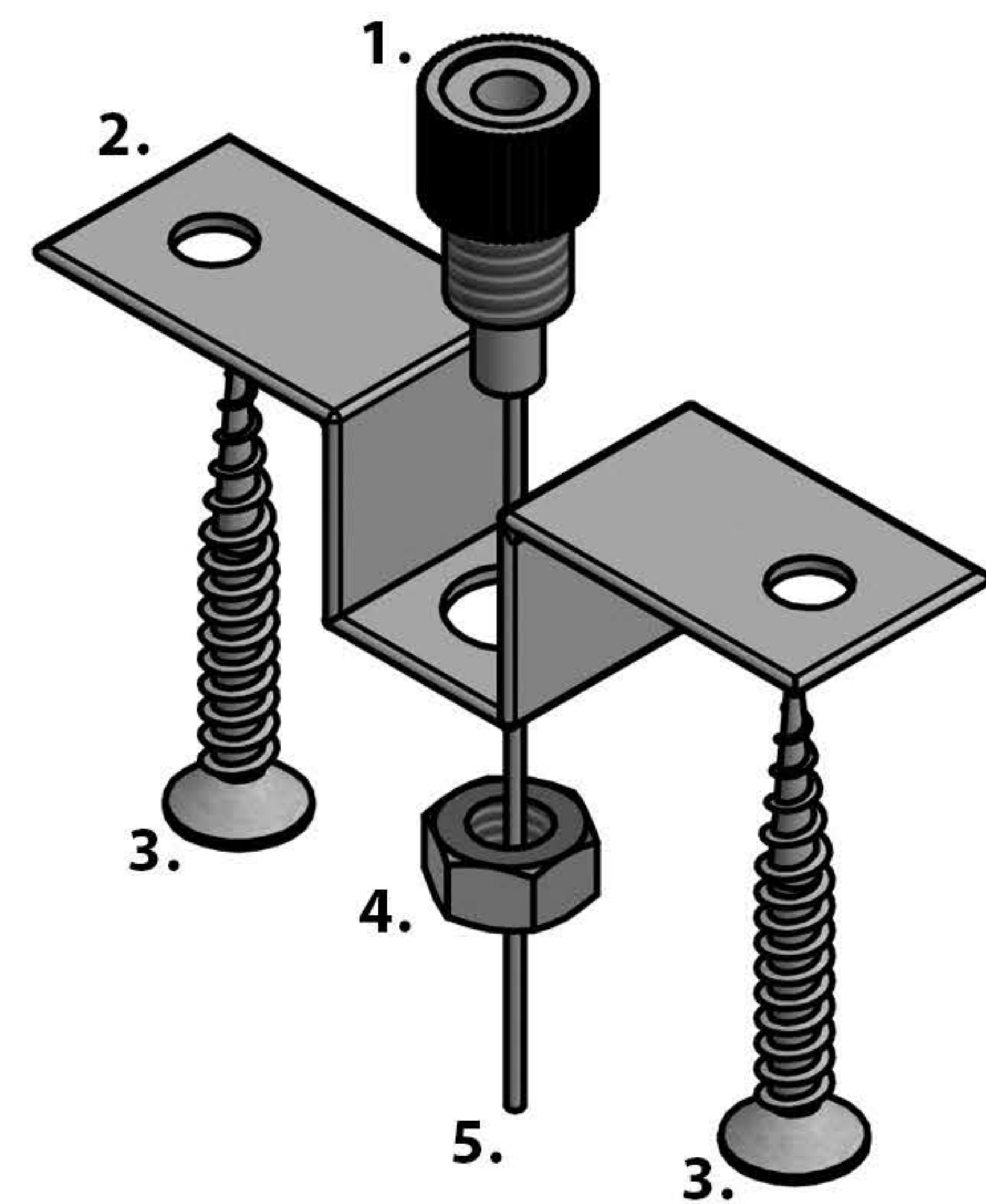


Individual Baffle Ceiling Mount



Optional Ceiling Mount

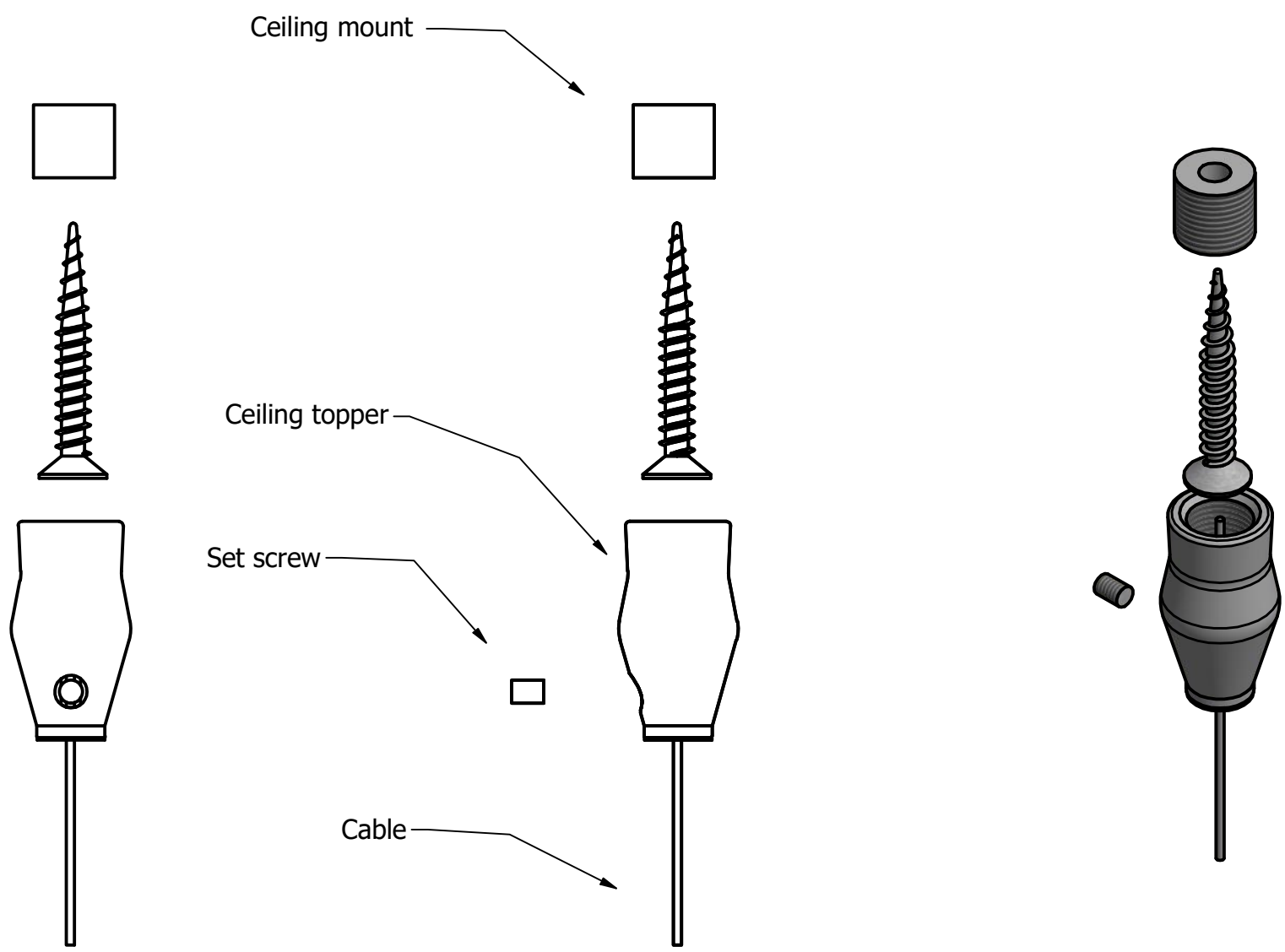
1. Cable Topper
2. Mounting Bracket
3. Mounting Screws
4. Bottom Nut
5. Cable




Optional Panel Clamps

These can be mounted to the floor, ceiling or wall.
See our website for more information.





DANIEL TROUTMAN	ASSEMBLY-2: CABLE SYSTEM	DATE	SCALE	
INTERLAM	PAGE: 002	9/16/2019	1 : 1	

