

## ~ UIL/NCAA SIX-MAN FOOTBALL RULES COMPARISON ~

Approved by the UIL Rules Committee - April 9, 2018

General: Texas Six-Man Football Rules are the same as NCAA Football Rules Except for the following variations. (Note: NCAA Rule References to the 2015 Rule Book are indicated in parenthesis).

### NCAA RULE SIX-MAN RULE VARIATION

- (1-1 & 2) 1. Each team has six players. Number of players changed to NO MORE THAN SIX players each in UIL Six Man Games. In UIL Six Man Games, a team needs at least six players to start the game and can play with five or four, but less than four available players should result in suspension of the contest. Unless necessary to use the eleven-man field, the six-man field is 80 yards by 40 yards, with the 40 yard line being the center of the field. The two inbound lines (hash marks) are 40 feet from the sidelines. There will also be marks that are measured 13 feet from the sidelines. Goal posts are 25 feet apart and the crossbar is 9 feet above the ground. NOTE: UIL (Texas) Six Man Football Rules Variations are listed in the current UIL Football Manual.
- (1-1-3) 2. When one team is 45 or more points ahead at the end of the first half or if a team achieves a 45 point lead during the second half, the game is ended immediately.
- (3-2) 3. Length of quarters is 10 minutes; between quarters, 2 minutes. Between halves, 15 minutes. For State Championship games only, halftime may be extended to a maximum of 20 minutes with coaches' concurrence.
- (3-5-3) 4. Team A may not break the huddle with more than 6 players nor keep more than 6 players in the huddle or in a formation for more than three seconds. Officials shall stop the action whether or not the ball has been snapped. PENALTY: Dead ball foul. 5 yards from previous spot (S22). Team B is allowed to briefly retain more than 6 players on the field to anticipate the offensive formation, but it may not have more than 6 players in its formation if the snap is imminent. Whether the snap is imminent or has just occurred, the officials shall stop the action. PENALTY: Dead ball foul. 5 yards from previous spot (S22).
- (4-1-3) 5. During a try after touchdown the ball becomes dead when Team B gains possession or it is obvious that a kick is unsuccessful.
- (5-1-2) 6. Offense must advance 15 yards instead of 10 yards in four downs.
- (6-1/6-1-7) 7. Unless relocated by penalty, the kicking team's restraining line on a kickoff is the 30 yard line on a six-man field and the 20 yard line for a free kick after safety. The receiving team's free kick restraining line is 15 yards from the point of kickoff. There is no requirement to have a minimum number of players on either side of the kicker. If the result of a Free Kick is a touchback for Team B, and the placement of the ball is not relocated by penalty, the ball will next be put into play from Team B's 20 yard line.
- (6-1) 8. The ball must travel 15 yards on a kickoff (or place kick/punt after a safety) or be touched by the receiving team before members of the kicking team are eligible to touch it.
- (6-2-1) 9. A free kick out of bound between the goal lines untouched inbounds by a player of Team B is a foul (A.R. 3-IV). PENALTY—Live-ball foul. Five yards from the previous spot; or five yards from the spot where the subsequent dead ball belongs to Team B; or the receiving team may put the ball in play 20 yards beyond Team A's restraining line at the inbounds spot (S19).
- (6-5-1) 10. If a Team B player makes a fair catch of a Free Kick behind Team B's 20-yard line, Team B will next snap the ball at its own 20 yard line.
- (7-1-4) 11. Unless the ball is kicked or forward passed, it may not be advanced beyond the neutral zone until AFTER AN EXCHANGE has been made between the receiver of the snap and another player. EXCEPTION: Any player of Team A may advance a loose football after it has been touched by a Team B player. Forced touching of a ball by Team B is disregarded. PENALTY: 5 yards plus loss of

down (illegal procedure) from previous spot (S19 & S9). An exchange is completed when possession of the football is gained by a receiver of the snap, given up voluntarily or involuntarily by the receiver of the snap, and possession is regained by another player of Team A.

- (7-1-4) **12.** If the snap is muffed and a Team A player catches or recovers the ball beyond the neutral zone, he may not advance it. ENFORCEMENT: Loss of down from previous spot (S9). PENALTY: 5 yards from the previous spot for illegal procedure is assessed if the Team A player advances or attempts to advance the ball (S19 & S9). If a Team A player catches or recovers the muffed snap behind the neutral zone, he may legally advance it only after a legal exchange.
- (7-1-4) **13.** No more than 3 Team A players shall be in the backfield at the snap.
- (7-1-6) **14.** The ball may be handed in any direction to any player during a scrimmage down behind the neutral zone. A linesman may receive a forward hand-off at any time and is not required to be 2 yards behind his line of scrimmage and does not have to face his goal prior to receiving the hand-off. EXCEPTION: The ball may not be handed forward to the snapper through his legs. PENALTY: 5 yards from previous spot and loss of down (S19 & S9).
- (7-3) **15.** The ball is dead when a passer catches his own forward pass (untouched by B), and it is ruled as an incomplete forward pass.
- (7-3) **16.** All players are eligible to catch a forward pass, except that a pass is ruled incomplete when caught by the passer (see preceding rule). If a forward pass is thrown to the snapper, it must travel at least one yard in flight.
- (7-3-2-h) **17.** The last sentence of the exception does not apply to UIL 6-Man Football Games. Therefore, a player other than the receiver of the snap who is or has been outside of the tackle box may legally throw the ball so that it crosses or lands beyond the neutral zone or neutral zone extended.
- (8-1) **18.** Field goals count 4 points; successful try, 2 points if successful through place or drop kick and 1 point if successful by pass or run. The defense may not score on a try.
- (9-1-14) **19.** When a team is in an offensive or scrimmage kick formation, and no player is in position to take a hand to hand snap, a defensive player may not initiate contact with the snapper until one second has elapsed after the snap.

## ~ APPROVED RULINGS ~

### Section 1: Exchanges:

- I. First down and 15 from A's 35. A10 pitches to A28 who muffs the ball. A10 picks it up and runs to B's 35. RULING: Illegal advance by A. Penalize 5 yards plus loss of down.
- II. First down and 15 from A's 25. A10 pitches the ball backward. It strikes B72 and is loose on the ground. A10 picks up the ball and runs to the 40 (midfield). RULING: A's ball first down and 15 on the 40. NOTE: by definition, when the ball strikes B72, it has been touched by Team B player.
- III. A15 hands the ball to A40. While still behind the line A40 hands the ball forward to A15 who advances beyond the line for a ten yard gain. RULING: Legal advance by A15.
- IV. A12 receives the snap and possesses the ball. He hands the ball forward to A60, the snapper by handing it back between his legs. A60 advances 5 yards. RULING: Illegal Advance by Team A. PENALTY: 5 yards and loss of down.
- V. A15 receives the snap and hands off to A38. A38 fumbles the ball and it is picked up by A45 (1) behind the line of scrimmage; (2) beyond the line of scrimmage. A45 advances for 10 yard gain.

RULING: A legal exchange has been made. A45 may advance the football in (1) & (2) as long as it is not fourth down.

- VI. A12 receives the snap and pitches the ball to A45 who muffs the pitch and is attempting to catch the ball (bobbling it) as he crosses the neutral zone. A45 then catches the ball and advances for a five yard gain. RULING: Illegal advance by A. PENALTY: 5 yards and loss of down.
- VII. A's ball first down and 15 at A's 20 yard line. A8 muffs the snap. It is picked up by A25 behind the neutral zone and advanced to A's 30. RULING: Illegal advance by A. Penalize 5 yards plus loss of down from the line of scrimmage. No legal exchange has been made since A25 was the first to possess the ball after the snap and then advanced the ball beyond the neutral zone without an exchange.
- VIII. A's ball second and 5 at A's 24. A13 receives the snap and fumbles the hand-off to A30. A30 recovers the fumble and hands the ball back to A13 who advances it to A's 32. RULING: A's ball first down and 15 at the 32 yard line.
- IX. A10 muffs the snap from A50. The ball rolls a few yards beyond the neutral zone where A6 (1) picks up the ball and advances; or (2) falls on the ball for the recovery. RULING: (1) Illegal, 5 yards previous spot plus loss of down. Penalty marker is dropped, play continues. (2) Legal recovery, no foul, the ball is returned to the line of scrimmage, loss of down. A legal exchange has not been made prior to advancement of the ball beyond the line of scrimmage.
- X. A25 receives the snap and immediately throws a backward pass to A40 who muffs the pitch. A40 scoops up the ball from the ground and advances beyond the neutral zone. RULING: Legal, a backward pass has been thrown and a legal exchange has been completed.
- XI. A's ball first and 15 from B's 22. A10 receives the snap and hands the ball to A20. The ball is fumbled by A20 and A70 recovers at B's 19. RULING: Legal advance by A, unless it is 4<sup>th</sup> down.
- XII. A's ball 4<sup>th</sup> and 1 at B's 30. A10 receives the snap and fumbles the hand-off to A22. A22 picks up the football and advances to B's 25. RULING: Ball is dead when A22 picks up the football. No advance is allowed. NCAA Rule 4-1-3-j applies and prohibits advance. A10 may pick up the loose ball and complete an exchange for a legal advance.
- XIII. Third down and 4 at the A30. A10 receives the snap and possesses the ball. Rushing defender B55 is legally blocked by A61 and falls to the ground in front of A10. A10 reaches out with the ball and touches it to the shoulder pad of B55, and then runs the ball to the B38 where he is tackled. RULING: Illegal advance for no legal exchange in the backfield. Forced touching is disregarded by rule. Penalize 5 yards from the previous spot and loss of down. A's ball 4<sup>th</sup> and 9 at the A25.
- XIV. Team A lines up in scrimmage kick formation for either a Field Goal attempt or a 2-point Try. A-19 muffs the snap and the kicker, A-12, picks up the ball and:
- 1) Drop Kicks it through the uprights and over the cross bar
  - 2) Passes it forward to A-56 in the end zone
  - 3) Makes a backwards pass to A-19 who runs it into the end zone
  - 4) Runs the ball into the end zone
- Rulings:** 1) Legal; 4 points for the Field Goal or 2 points for the Try  
2) Legal; 6 point Touchdown for Field Goal attempt or 1 point for a Try  
3) Legal; 6 point Touchdown for Field Goal attempt of 1 point for a Try  
4) Foul for advancement beyond the neutral zone without an exchange.
- Enforcement:**  
Field Goal attempt on 4<sup>th</sup> down - Assess the 5-yard penalty from the previous spot and loss of down; Team B's ball at the succeeding spot.  
Try - No points, and since the penalty includes loss of down, the Try is over. Team A will kick off from the A 30 unless relocated by subsequent penalty. Note that the 5-yard penalty for illegal advancement does not carry over to the kickoff.

## Section 2: Passing

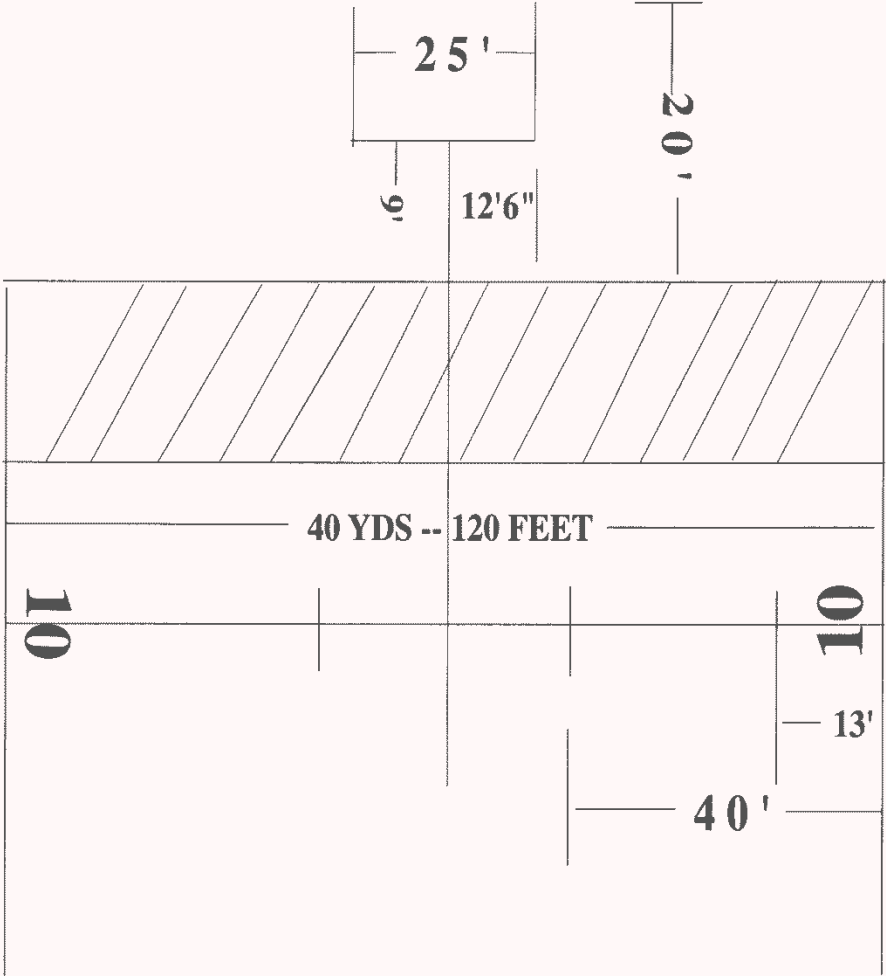
- I. A15 attempts a forward pass which is batted in the air by B73. A15 catches the ball and advances it 10 yards. RULING: Legal. Ball was touched by B.
- II. First and 15 yards to go for A at their 15 yard line. A9 hands the ball forward to A30. A30 runs to the left and passes the ball to A60 while still behind the line of scrimmage. RULING: Legal pass by A30.
- III. A15 receives the snap and retreats 10 yards to his own 20 yard line. Due to a heavy pass rush he immediately passes the ball to A50, his snapper, who is standing on the 21 yard line. RULING: Legal pass since the ball traveled at least one yard when passed to the snapper.
- IV. A8 attempts a pass at the line of scrimmage. B75 tips the ball and it is caught by A55, the snapper, at the line of scrimmage. The ball has only traveled 1/2 yard in the air. RULING: The tipping by B makes A55's reception a legal catch and A55 may advance the ball.
- V. A's ball 4<sup>+</sup> and 4 at B's 22. A10 throws a pass which strikes A73 and bounces into the air. A10 catches the ball and advances 5 yards where A10 fumbles the ball. RULING: Incomplete forward pass. B's ball first and 15 at their 22. (Six-Man Rule variation No's 12 & 13)

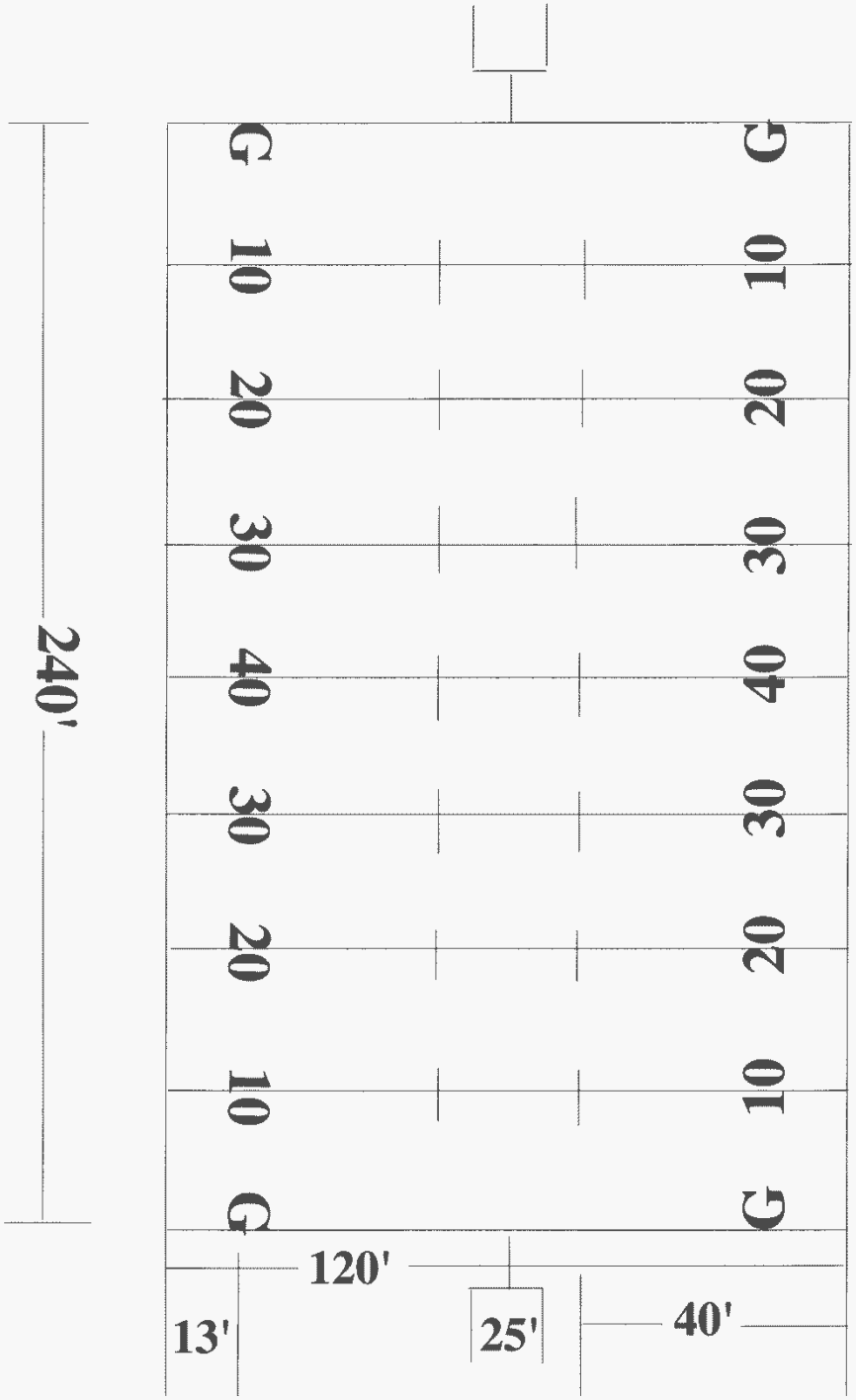
## Section 3: Other Plays

- I. Team A lines up at the line of scrimmage with three men on the scrimmage line next to each other in a three point stance. A80 located on the right side of the snapper raises up and shifts out 7 yards. RULING: Since A80 is at the end of the line this is a legal shift.
- II. Team A lines up with four men on the line of scrimmage next to each other in a three point stance. A62 who is covered up by A80 (1) raises up from his 3 point stance before the snap; or (2) receives a forward hand-off and advances 4 yards; or (3) catches a forward pass 10 yards beyond the line of scrimmage. RULING: (1) False start. (2) & (3) Legal.
- III. Team A lines up with 4 men on the scrimmage line next to each other. A88, on the end line, leaves his position and goes in motion before the snap. At the snap, he is (1) moving toward his opponent's goal line; (2) moving away from his opponent's goal line and 2 yards behind the line of scrimmage. RULING: (1) Illegal motion since A88 cannot be moving toward his opponent's goal. (2) Illegal motion by A88. He must set for one second after leaving line. A lineman may not be in motion at the snap.
- IV. Team A's kickoff from their 30 yard line rolls out of bounds untouched by Team B at B's 38. RULING: B may snap the ball at their own 38, 30, Team A's 37, or accept the penalty against A for illegal procedure and have Team A re-kick.
- V. B is leading 60-19. They return the second half kickoff 65 yards for a touchdown. RULING: Game ends.
- VI. B is leading 50-10 in the second half. B intercept's A's pass and returns it 16 yards for a touchdown. B44 clips on the run back. RULING: If A declines the penalty the game ends and there will be no try for point.
- VII. A's ball 4<sup>+</sup> down and 5 from their 20 yard line. A14 punts the ball which is blocked and goes straight up in the air. A45 catches the punt behind the line of scrimmage and advances to A's 40 yard line. RULING: Legal advance by A, first down and 15 yards to go.
- VIII. Team A attempts a try from any legal point and:
  - (1) Team B recovers a legal fumble, picks it up and advances the ball into Team A's end zone; or
  - (2) Team B intercepts a fumble or forward pass and advances the ball into Team A's end zone; or
  - (3) Team B blocks the try, gains legal possession and advances the ball into Team A's end zone; or

- (4) Team B blocks the try and A12 picks up the ball and advances into Team B's end zone.  
RULING: No score, ball is dead when it is obvious that the kick is unsuccessful.

# SIX-MAN FOOTBALL GOALPOST DIMENSIONS





9 YARDS MARKS ARE 13 FEET FROM SIDELINE -- TOP OF NUMBERS  
 HASH MARKS ARE 40 FEET FROM SIDELINE