

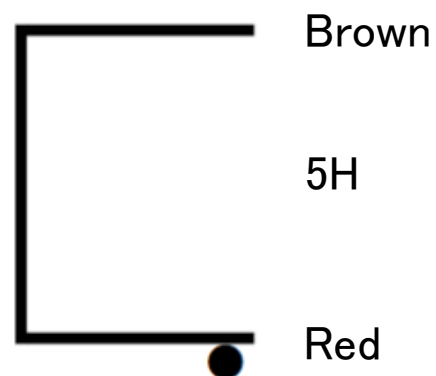


FMC-0543HL

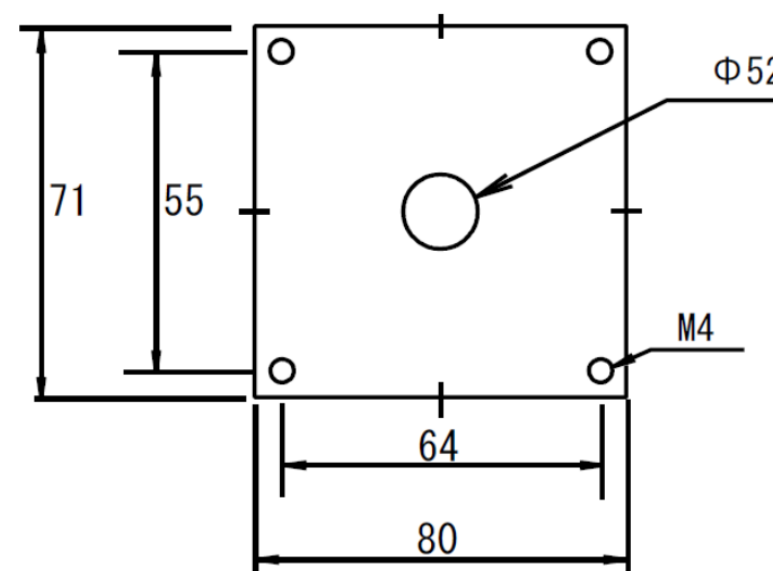
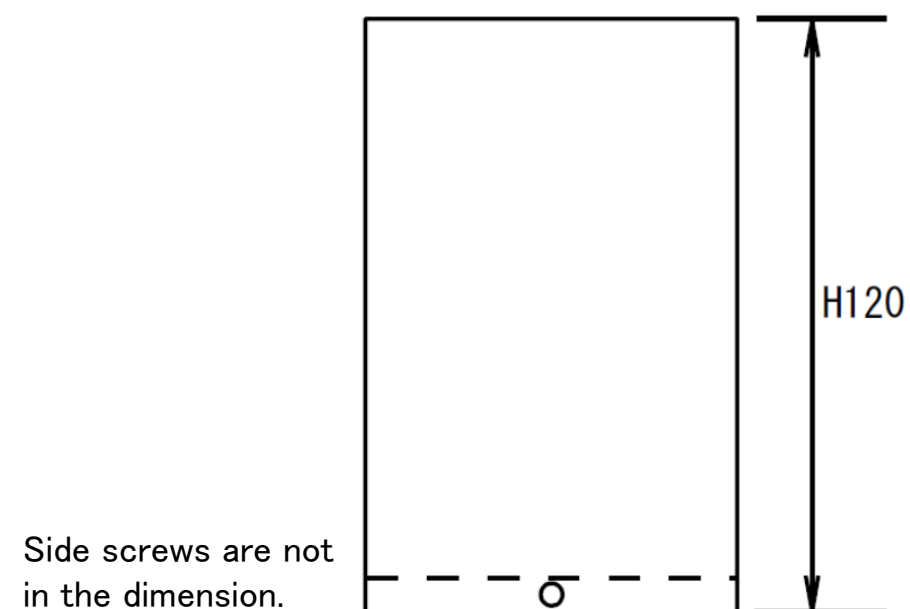
FINEMET® NANOCRYSTALLINE Core Choke

Audio Feast

Wiring Connection



Inductance 5H
Recommended DC current 330mA Max DC Current 430mA
DCR 50 ohm
Max AC voltage 500V
Minimum current for Choke input 90mA Dimension 80x71x120(H)mm
Black hammered metal case, or Urushi finish



Email: CleanUnderwear@gmail.com

Web: TheAudioFeast.com

Distributed by Audio Feast (Nashville, TN, USA)

Final finish by Teramoto (Myoko, Japan)

Designed by General Ind. (Saitama, Japan)

Oct. 2018