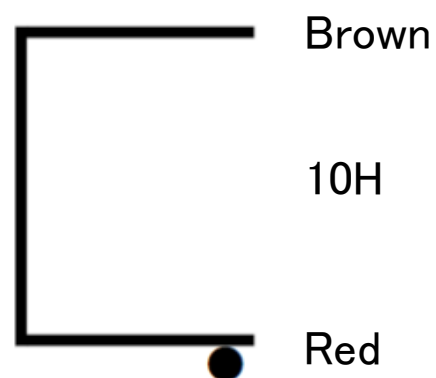




FMC-1030HL
FINEMET® NANOCRYSTALLINE Core Choke

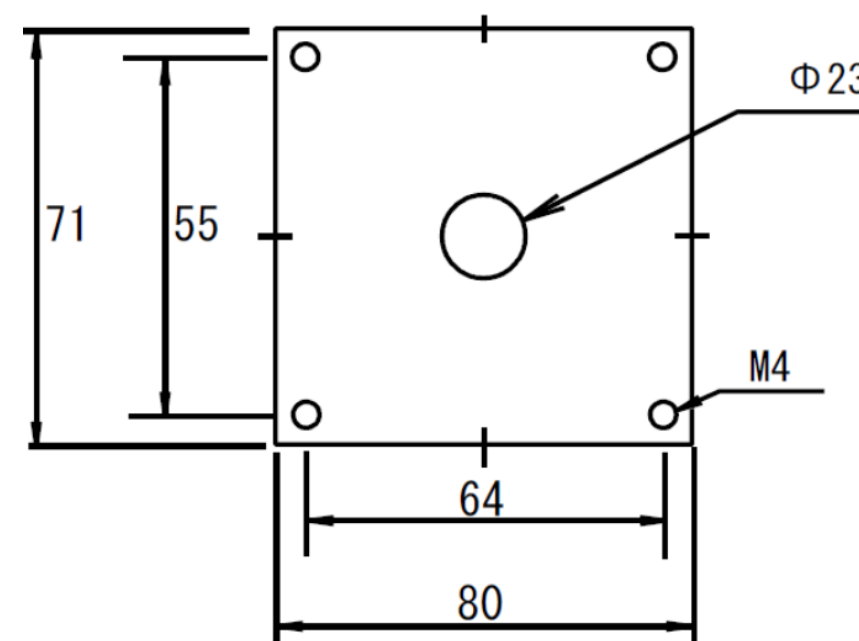
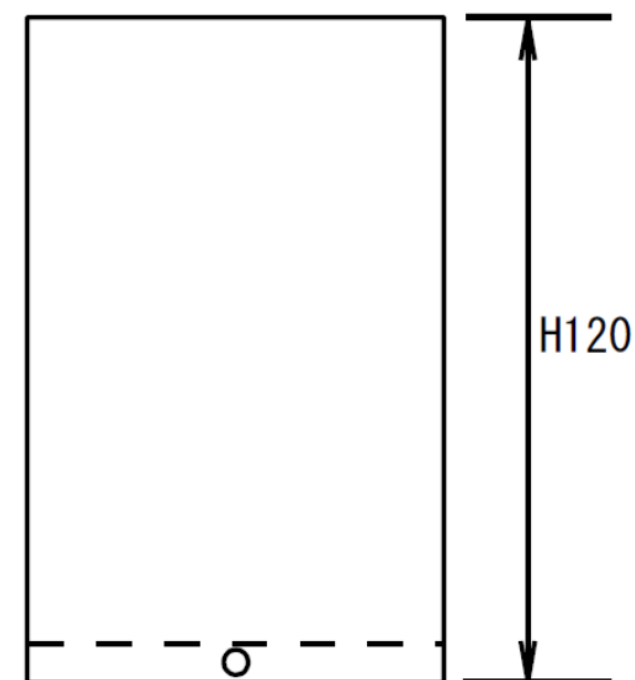
Audio Feast

Wiring Connection



Inductance 7H
Recommended DC current 400mA
Max DC Current 550mA
DCR 91 ohm
Max AC voltage 670V
Minimum current for Choke input 100mA
Dimension 100x100x150(H)mm
Black hammered metal case, or Urushi finish

Side screws are not
in the dimension.



Email: CleanUnderwear@gmail.com

Web: TheAudioFeast.com

Distributed by Audio Feast (Nashville, TN, USA)

Final finish by Teramoto (Myoko, Japan)

Designed by General Ind. (Saitama, Japan)

Oct. 2018