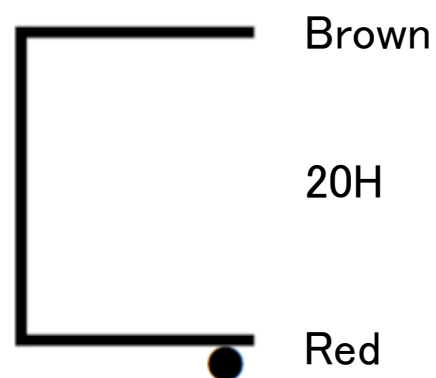




FMC-2021HL
FINEMET® NANOCRYSTALLINE Core Choke

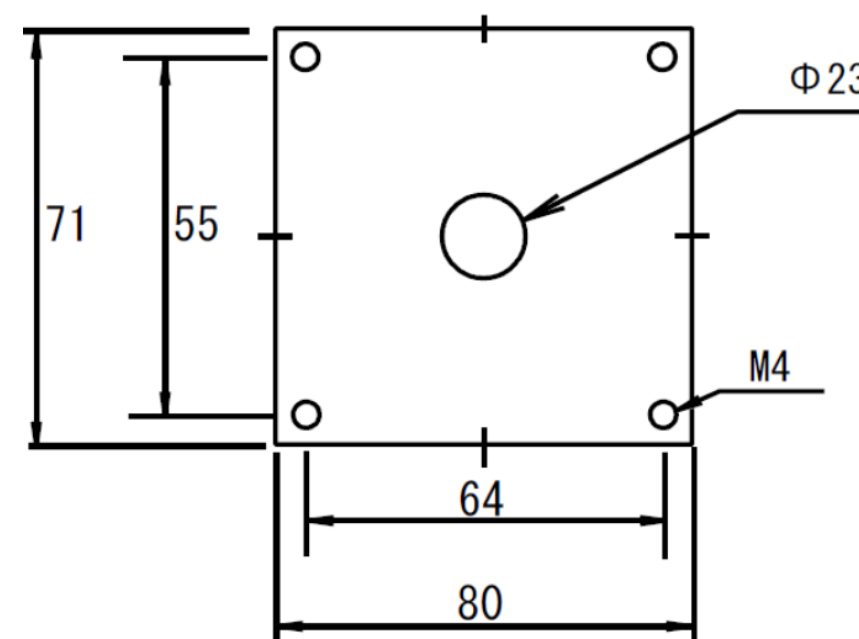
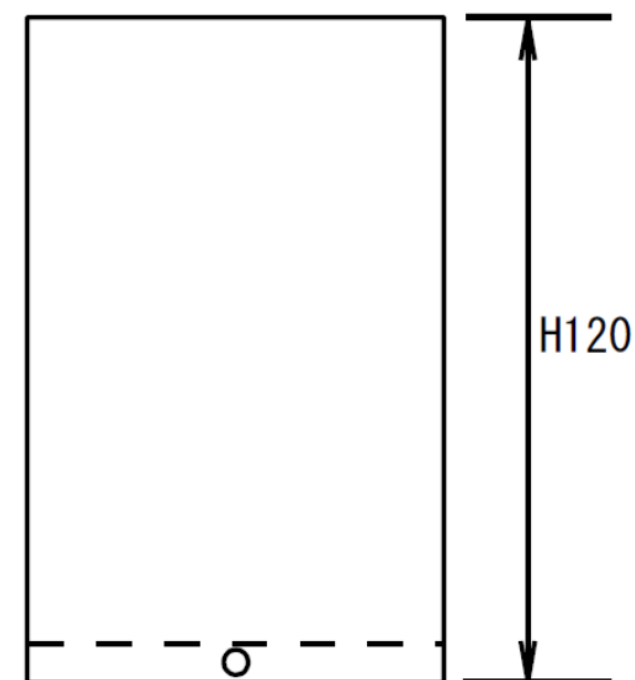
Audio Feast

Wiring Connection



Inductance 20H
Recommended DC current 160mA
Max DC Current 210mA
Minimum choke Input current 30mA
DCR 210 ohm
Max AC voltage 800V
Dimension 80x71x120(H)mm
Black hammered metal case, or Urushi finish

Side screws are not
in the dimension.



Email: CleanUnderwear@gmail.com

Web: TheAudioFeast.com

Distributed by Audio Feast (Nashville, TN, USA)

Final finish by Teramoto (Myoko, Japan)

Designed by General Ind. (Saitama, Japan)

Oct. 2018