

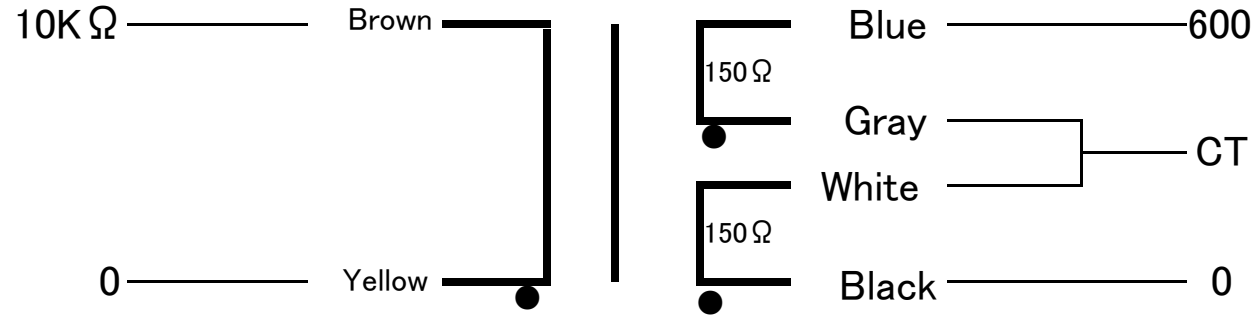


FM-10K-623CT

FINEMET® NANOCRYSTALLINE Core Input /output Transformer

Audio Feast

### Wiring Connection



Secondary can be wired to 600 or 150 ohm.

Ratio 1:0.26

Freq. Response 10-80kHz (-3dB 0.775V 0dB)

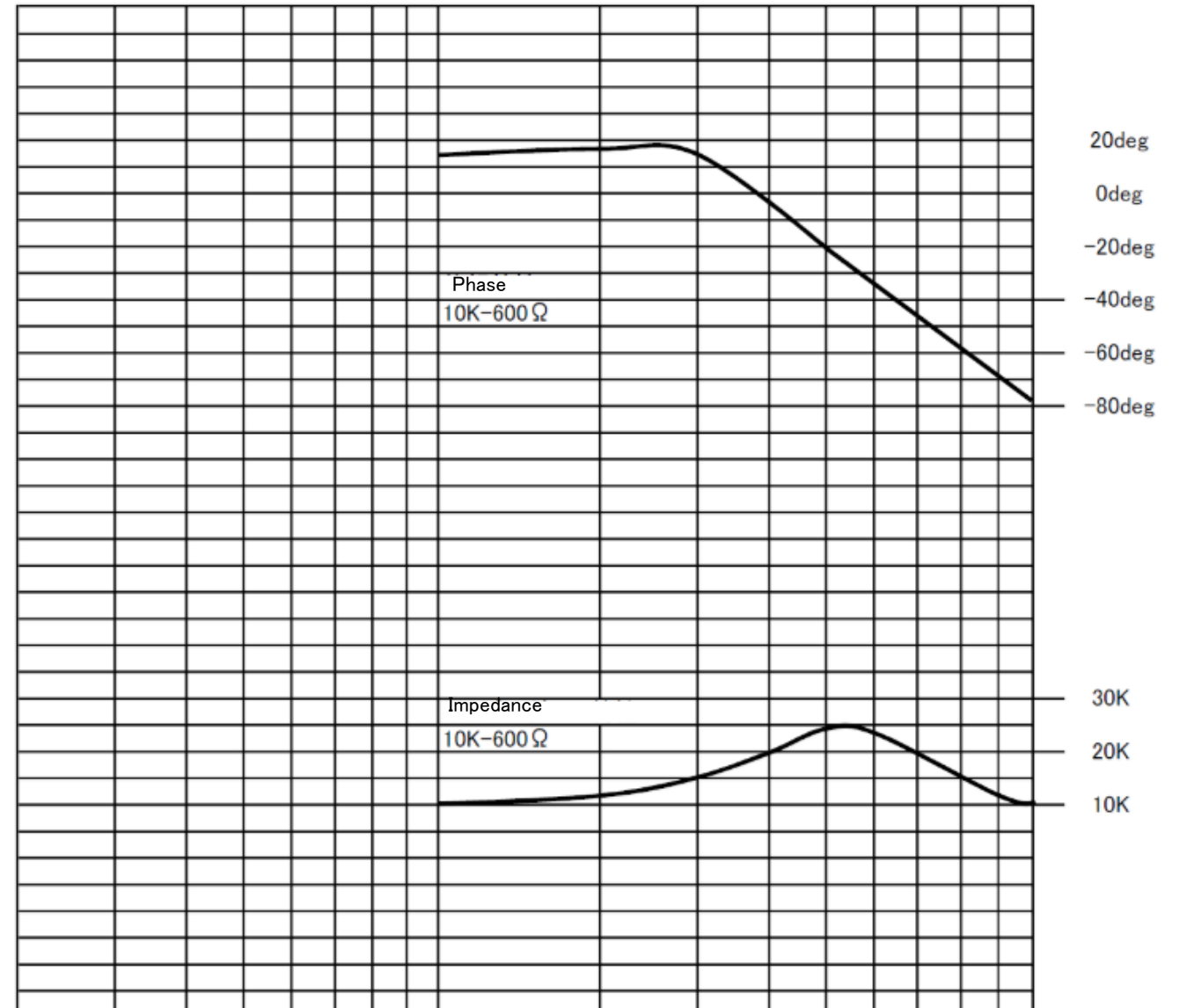
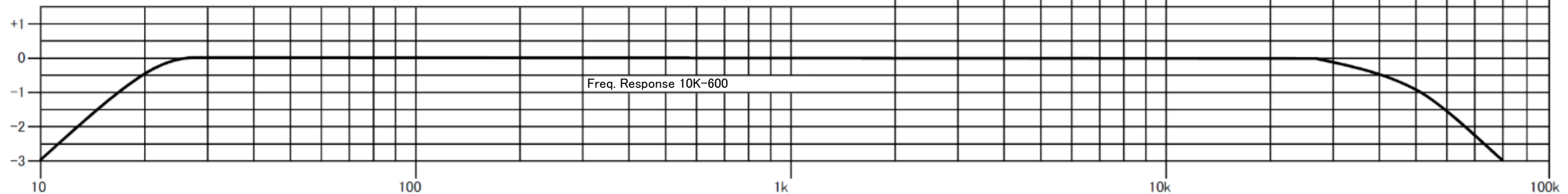
Pri. Inductance 80H (40Hz)

Pri. DCR 830 ohm (Brown-Yellow)

Sec. DCR 40 ohm (Blue-Gray)/40 ohm (White-Black)

Pri. max DC current 23mA

Dimension 50x55x90(H)mm Black hammered metal case, or Urushi finish



Email: [CleanUnderwear@gmail.com](mailto:CleanUnderwear@gmail.com)

Web: [TheAudioFeast.com](http://TheAudioFeast.com)

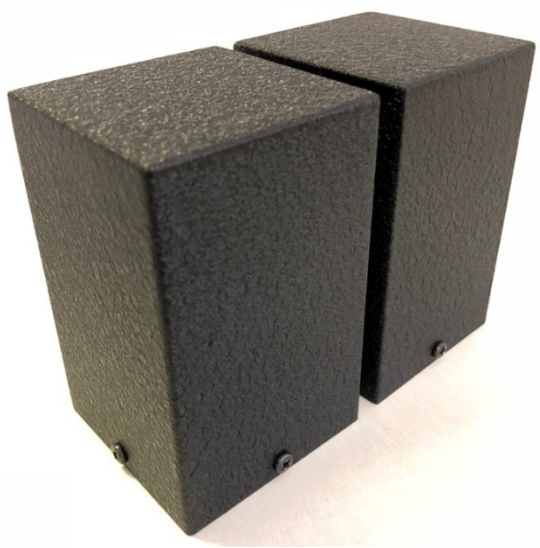
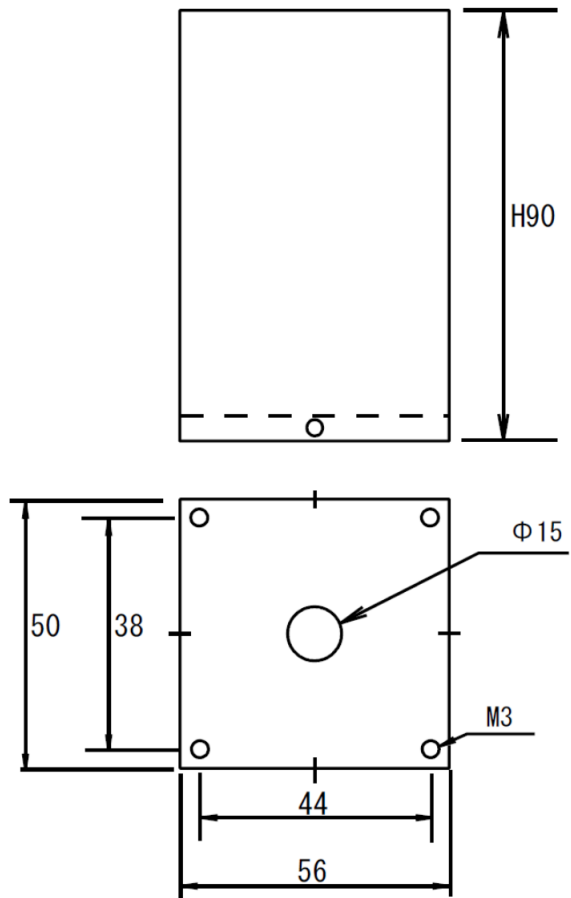
Distributed by Audio Feast (Nashville, TN, USA)

Final finish by Teramoto (Myoko, Japan)

Designed by General Ind. (Saitama, Japan)

Oct. 2018

Available on Black metal case OR  
Urushi finish



Black Metal Case



Urushi finish

All dimension is in mm.

Dimension does not include screws around the case.

