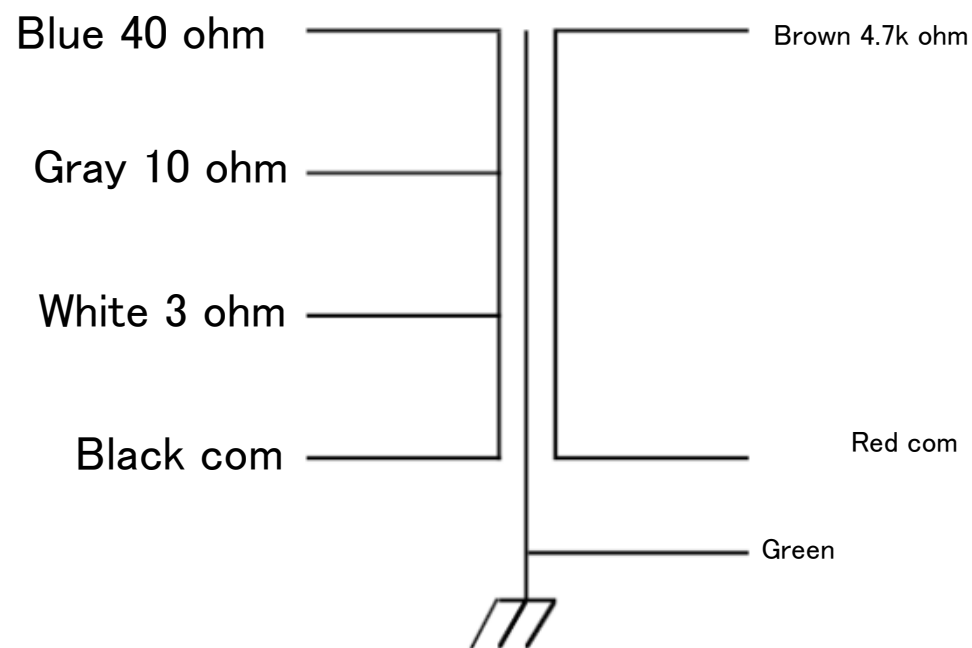




FM-MCT1
FINEMET® NANOCRYSTALLINE Core MC Step Up Transformer

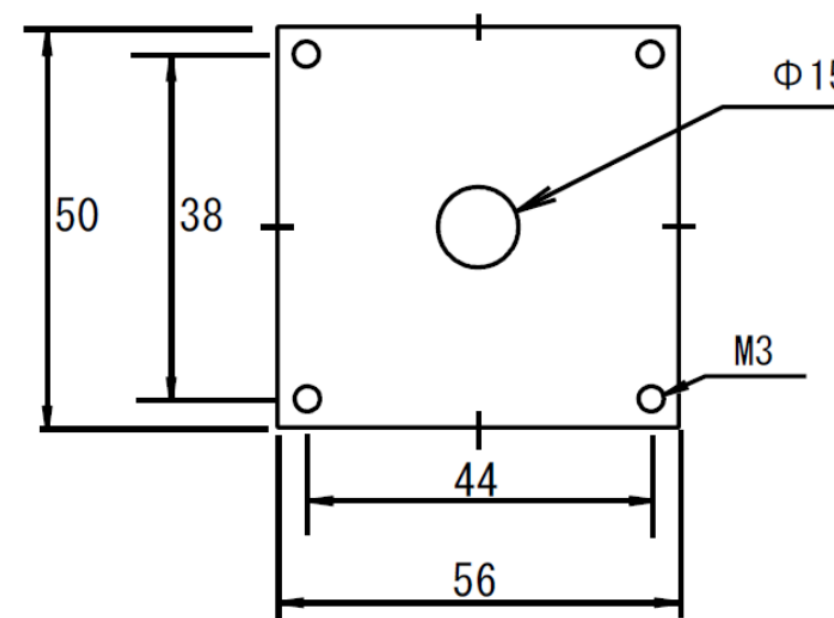
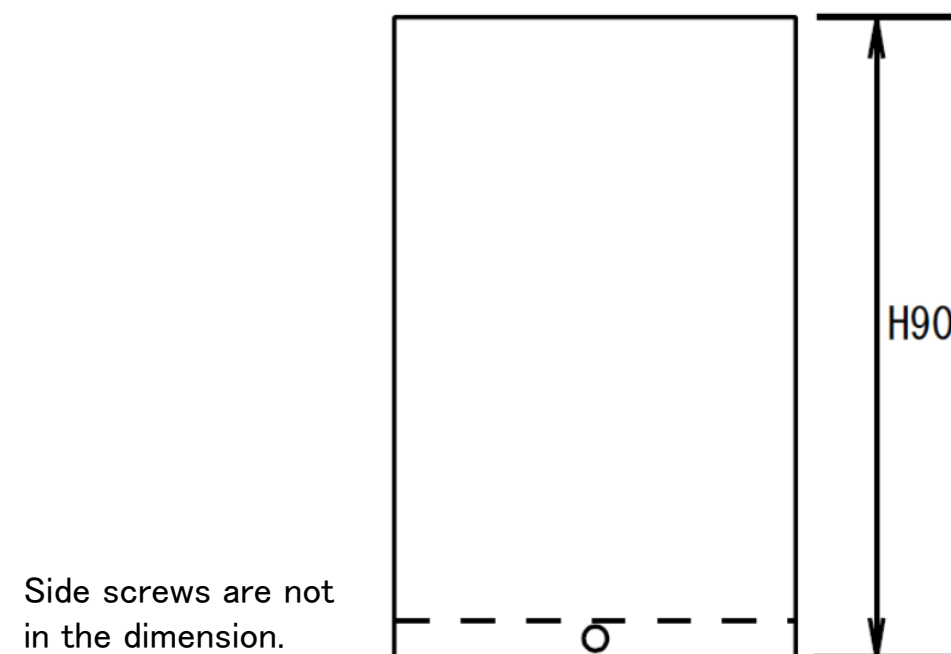
Audio Feast

Wiring Connection



Freq. Response 4-70kHz(-3dB, 40 ohm)
max output voltage 1V (5Hz)
Sec. DCR 291 ohm
Secondary can be used open.
Dimension 50x55x90(H)mm
Black hammered metal case, or Urushi finish

	Input Impedance ohm	Acceptable Input Impedance ohm	Gain dB	Pri. DCR
Blue	40	2 - 200	20	3.1
Gray	10	2 - 50	25	0.95
White	3	2 - 15	31	0.14
Black	com			



Email: CleanUnderwear@gmail.com

Web: TheAudioFeast.com

Distributed by Audio Feast (Nashville, TN, USA)

Final finish by Teramoto (Myoko, Japan)

Designed by General Ind. (Saitama, Japan)