

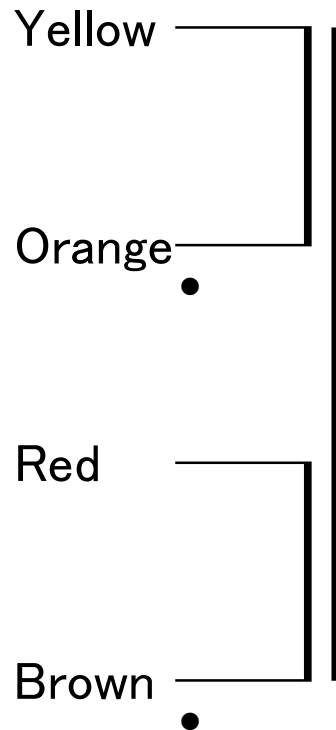


**FMC-1013HW**

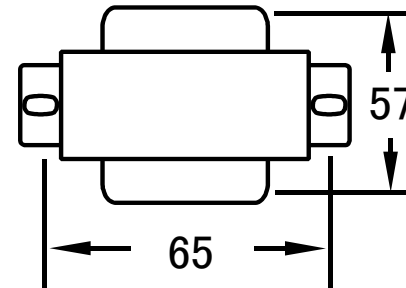
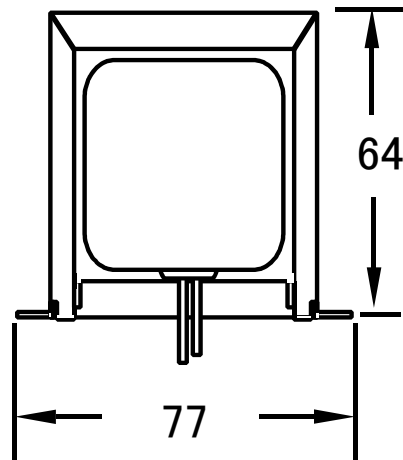
Audio Feast

FINEMET® NANOCRYSTALLINE Core Capacitor Input Choke

FMC-1013HW		RMS Current	Max. Current	DCR
10H	Series	130mA	140mA	188 ohm
2.5H	Parallel	260mA	280mA	47 ohm



Tested AC2KV 1 Minute  
 Max Voltage DC500V  
 Dimension 77x56x64(H)



Email: [CleanUnderwear@gmail.com](mailto:CleanUnderwear@gmail.com)

Web: [TheAudioFeast.com](http://TheAudioFeast.com)

Distributed by Audio Feast (Nashville, TN, USA)

Final finish by Teramoto (Myoko, Japan)

Designed by General Ind. (Saitama, Japan)