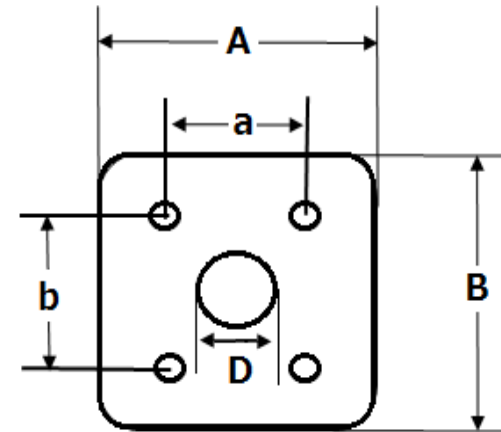
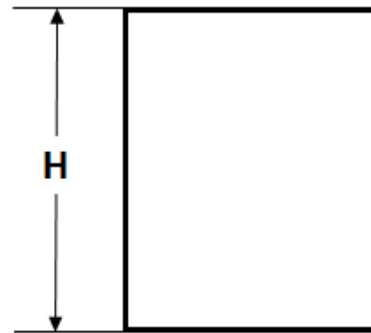
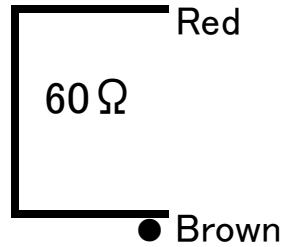


PMC-2030HW (Oriented Grain Core)

It can be used for choke input.

	Inductance	RMS DC Current	Max. DC Current	DCR	ACMax. Input Voltage	Min. Current (choke input)
Yellow 60 Ω	20H (Series)	260mA	300mA	120 Ω	AC 1200V	60mA
Orange 60 Ω	5H (Parallel)	520mA	600mA	30 Ω	AC 600V	120mA

Max. Voltage AC2KV 1 Minute
 Dimension 80x80x120 (AxBxH) Black metal case
 Mounting 64x64 M4 (axb) D=24



This choke is carefully designed.
 They are not simply wind onto the plastic bobin
 Special papaer is used between the windings.