



EUROARMS OF AMERICA

AVANCARICA - MUZZLE LOADING - AVANCARGA

MARKINGS ON OUR REPLICAS

MANUFACTURER MARKING

The manufacturer marking for ARMI SAN PAOLO (from 1973 to 2000) and for EUROARMS ITALIA (from 2001) is made by the three letters GDG as you can see in the picture

The three letters are the initials of the company founders (Grassi, Doninelli and Gazzola)



LOTHAR WALTHER BARREL MARKING

The revolver barrels manufactured by Lothar Walther are identified by a letter N which is obtained stamping four triangles as shown in the picture.



PARKER HALE MARKINGS

Parker Hale in Birmingham discontinued the production in the 90es and sold all the parts and machineries.

Euroarms bought most of the parts and obtained the legal right to use the Parker Hale mark.

The barrels of our replicas are made in Italy. Therefore the Parker Hale marking do not attest that the barrel was made in England by Parker Hale.

The Parker Hale marking (only for some models and versions of rifles) is on the top of the barrel.



ITALIAN CIP PROOF TEST MARKING

The Italian proof test markings are three (see picture)

The first one (two letters in a rectangle) represent the year of prooftesting.

TABLE OF RELATION BETWEEN LETTERS AND YEARS FOR THE ITALIAN PROOFTEST HOUSE

The second one PN under a star means BLACK POWDER PROOFING (P stands for POLVERE – POWDER, N stands for NERA – BLACK)

The third is the Gardone Proof Test marking



Drawing of Gardone Proof Test marking

For any suggestion or enquiry: info@euroarms.net



EUROARMS Italia S.r.l.
EUROARMS OF AMERICA

www.euroarms.net

ROGERS & SPENCER ORDINARY CLEANING AND MAINTENANCE



[exploded views](#) 

Black Powder is very corrosive and can cause rapid fouling in firearms. This is the reason why the revolver MUST BE well cleaned after each shooting session and before storage

For best accuracy Black Powder weapons should be occasionally cleaned also during a firing session.

Use the following the procedure to keep your Rogers & Spencer Revolver in perfect working and safe condition.

Use mild soap and water or a commercial Black Powder solvent. Be careful not to get on wood surfaces.

NEVER REMOVE THE CYLINDER FROM THE REVOLVER IF IT IS LOADED OR CAPPED

First of all be sure that the revolver is completely unloaded checking the barrel and each chamber of the cylinder.

Take off all fired and unfired caps.





On the left side of the revolver turn upside down (180°) the cylinder pin nut screw (N°8 in the exploded view) so that the cylinder pin (N°15 in the exploded view) is free.

Disengage the loading lever, put it in the loading position and pulling it forward extract the cylinder pin completely.



Put the hammer in half cock position and take out the cylinder.

Using the appropriate tool disassemble all the nipples.



Wash and brush all the parts (and especially the inside of the barrel and the chambers) using water and mild soap or a commercial Black Powder solvent.

Rise all parts very well, best with hot water so they dry easier.

Dry all parts and lightly oil them with a gun lubricant.

Reassemble the revolver and check that the mechanism is working properly.





VERY IMPORTANT: BEFORE SHOOTING WIPE CLEAN OF GREASE AND OIL INSIDE BARREL, CYLINDER CHAMBERS AND NIPPLES.

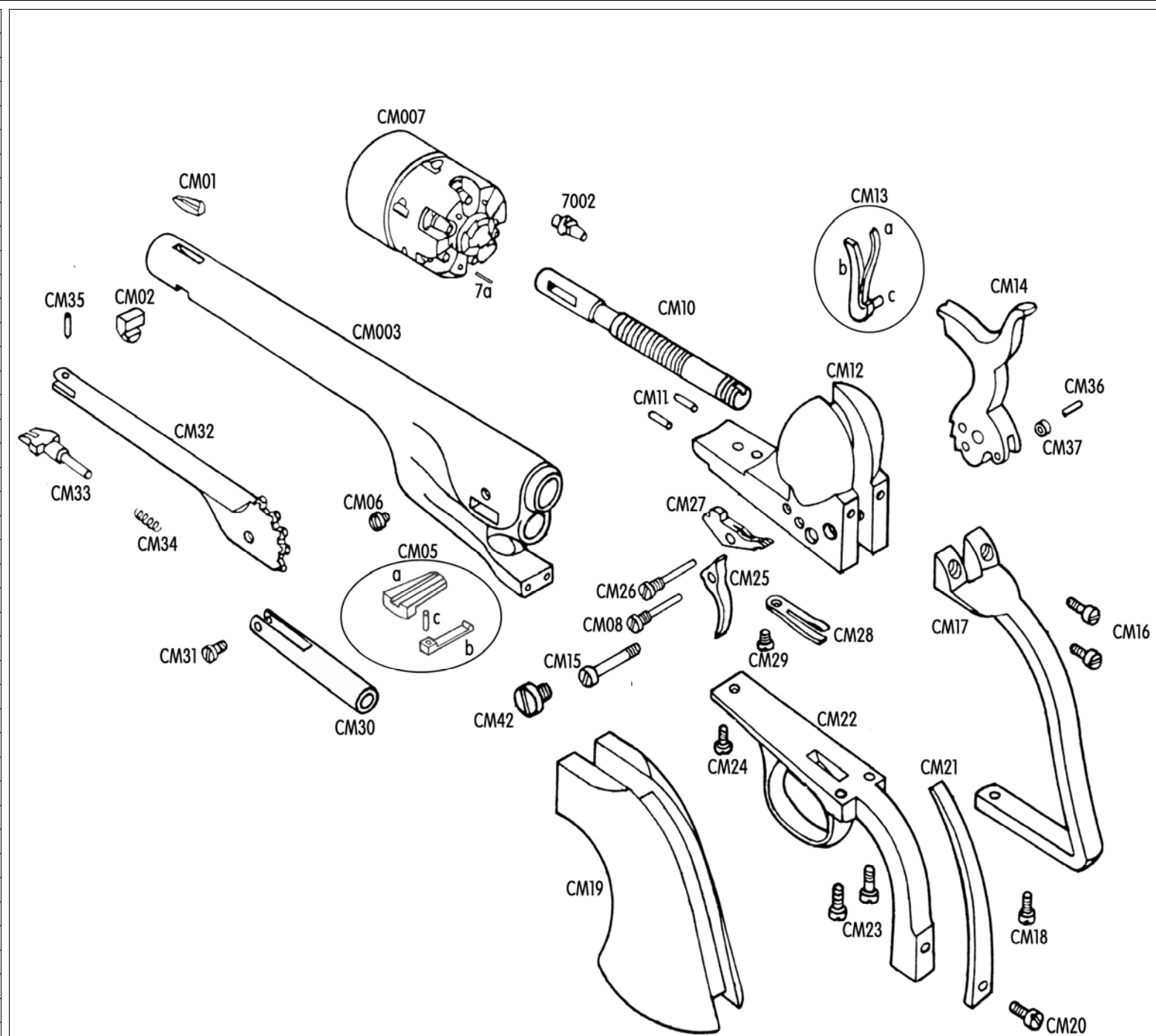


EUROARMS MUZZLELOADING BARRELS SPECIFICATIONS

MODEL	Cal.	Barrel Length	Bore Diameter Inches and (mm)	Rifling Depth	Nr of Grooves	Twist
Enfield Rifle Musket 3-Bands P-1853	.58	39"	.578 (14,70)	.006"	3	78"RH
Enfield Rifle 2-Bands P-1858	.58	33"	.578 (14,70)	.006"	5	66"RH
Enfield musketoon P-1861	.58	24"	.578 (14,70)	.006"	5	48"RH
Confederate Cook & Brother Rifle 2-Bands	.58	33"	.578 (14,70)	.006"	5	66"RH
Confederate Cook & Brother Carabine	.58	24"	.578 (14,70)	.006"	5	48"RH
Volunteer Military Target Rifle 3-Bands Alexander Henry Rifling	.451	36"	.451 (11,46)	.006"	7	20"RH
Volunteer Military Target Rifle 2-Bands Alexander Henry Rifling	.451	33"	.451 (11,46)	.006"	7	20"RH
Whitworth Military Target Rifle Sir Joseph Whitworth's Hexagonal Rifling	.451	36"	.451 (11,46)	N.A.	exagonal	20"RH
Remington Zouave Rifle 1863	.58	33"	.578 (14,70)	.006"	3	66"RH
Mississippi Rifle US Model 1841	.54	33"	.540 (13,71)	.006"	7	66"RH
Mississippi Rifle US Model 1841	.58	33"	.578 (14,70)	.006"	3	66"RH
J.P.Murray Carabine 1862-1864	.58	24"	.578 (14,70)	.006"	5	48"RH
Harper's Ferry Rifle 1803 Flintlock	.54	35"	.540 (13,70)	.006"	8	60"RH
Springfield Rifle Musket US Model 1861 and 1863 type I and II	.58	40"	.577 (14,67)	.006"	3	72"RH
CS Richmond Rifle Musket 1863	.58	40"	.577 (14,67)	.006"	3	72"RH
Rogers & Spencer Euroarms barrel	.44	7,5"	(11,32)	0,12 mm	6	900 mm
Rogers & Spencer Lothar Walther barrel	.44	7,5"	(11,15)	0,10 mm	6	450 mm
Remington 1858 New Model	.44	8"	(11,32)	0,12 mm	6	900 mm

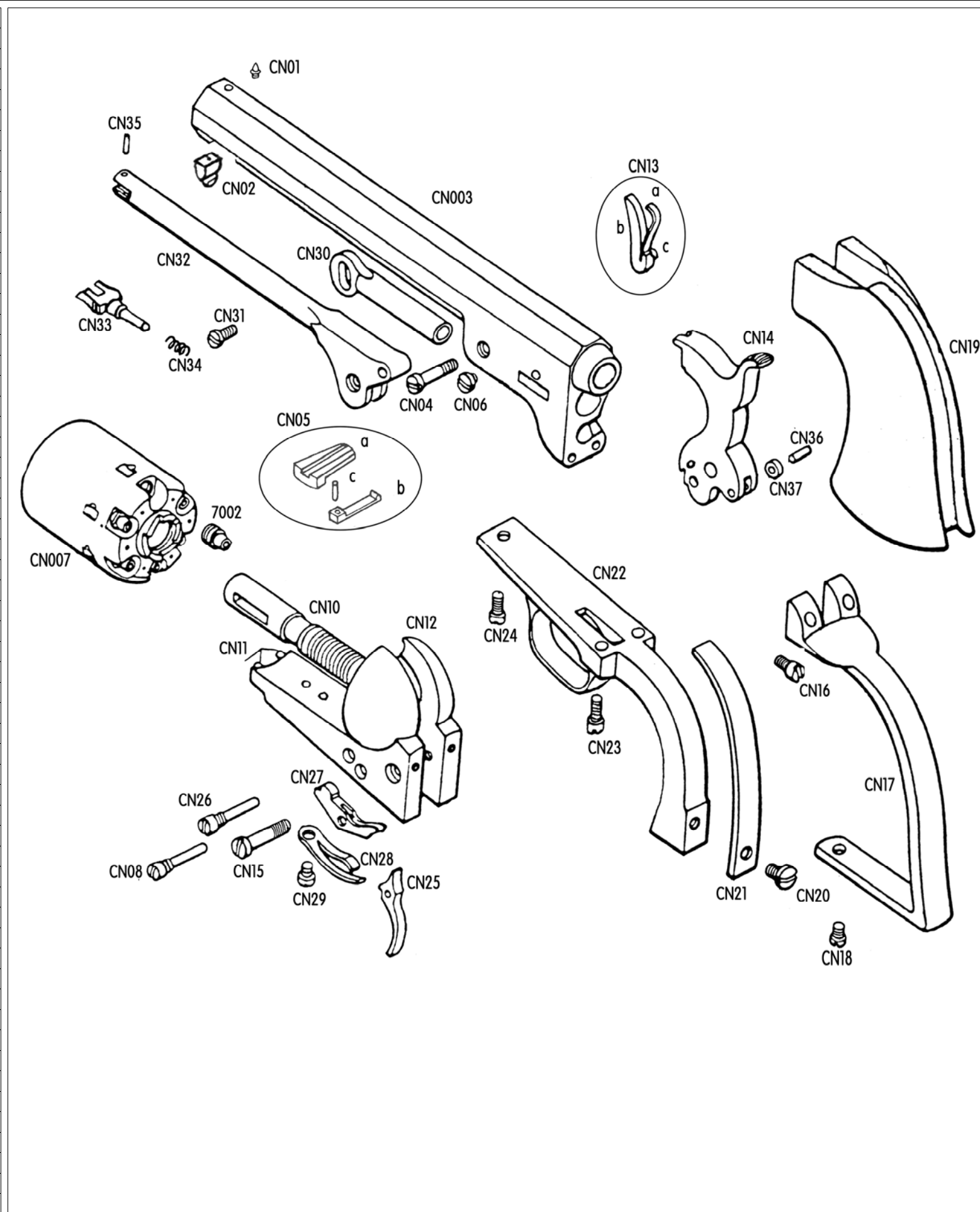
SPARE PARTS & EXPLODED VIEW - Colt Army 1860 - percussion

rel.		
2008/a		
.CM 01	FRONT SIGHT	mirino
.CM 02	BARREL CATCH	gancio canna
CM 003	BARREL PROOF TESTED	canna testata al BNP
.CM 04		
.CM 05	BARREL WEDGE	chiavetta assemblata
5a		chiavetta
5b		molla chiavetta
5c		spina molla chiavetta
.CM 06	BARREL WEDGE SCREW	vite chiavetta
CM 007	CYLINDER WITH NIPPLES - PROOF TESTED	tamburo con luminelli testato al B.N.P.
7a		piolo tamburo
.CM 08	TRIGGER SCREW	vite grilletto
.7002	NIPPLE 6x0,75	luminello
.CM 10	CYLINDER PIN	perno centrale
.CM 11	BARREL CONNECTING PINS	piolo canna bascula
.CM 12	FRAME	bascula
.CM 13	HAND ASSEMBLY	elevatore o cricca assemblato
.CM 13a		mollettino elevatore
.CM 13b		elevatore
.CM 13c		perno elevatore
.CM 14	HAMMER	cane
.CM 15	HAMMER SCREW	vite cane
.CM 16	BACKSTRAP SCREW	vite fascetta impugnatura
.CM 17	BACKSTRAP	fascetta impugnatura
.CM 18	BUTT SCREW	vite inferiore fascetta
.CM 19	GRIPS	impugnatura
.CM 20	HAMMER SPRING SCREW	vite molla cane
.CM 21	HAMMER SPRING	molla cane
.CM 22	TRIGGER GUARD	sottoguardia
.CM 23	TRIGGER GUARD REAR SCREW	vite posteriore sottoguardia e fascetta impugnatura
.CM 24	TRIGGER GUARD FRONT SCREW	vite anteriore sottoguardia
.CM 25	TRIGGER	grilletto
.CM 26	CYLINDER LOCK SCREW	vite perno centrale
.CM 27	CYLINDER LOCK	arresto tamburo (nottolino)
.CM 28	TRIGGER & CYLINDER STOP SPRING	molla grilletto/nottolino
.CM 29	TRIGGER SPRING SCREW	vite molla grilletto
.CM 30	PLUNGER	pistoncino
.CM 31	PLUNGER SCREW	vite pistoncino
.CM 32	LOADING LEVER	asta di caricamento
.CM 33	LOADING LEVER LACH	dente asta di caricamento
.CM 34	LOADING LEVER LACH SPRING	molla dente asta di caricamento
.CM 35	LOADING LEVER LACH PIN	spina dente asta di caricamento
.CM 36	ROLLER PIN	spina rondella cane
.CM 37	ROLLER	rondella cane
.CM 42	SHOULDER STOCK SCREW	vite aggancio prolunga
.CM 43	LOADING LEVER COMPLETE WITH PLUNGER	asta di caricamento completa



SPARE PARTS & EXPLODED VIEW - Colt Navy 1851 - percussion

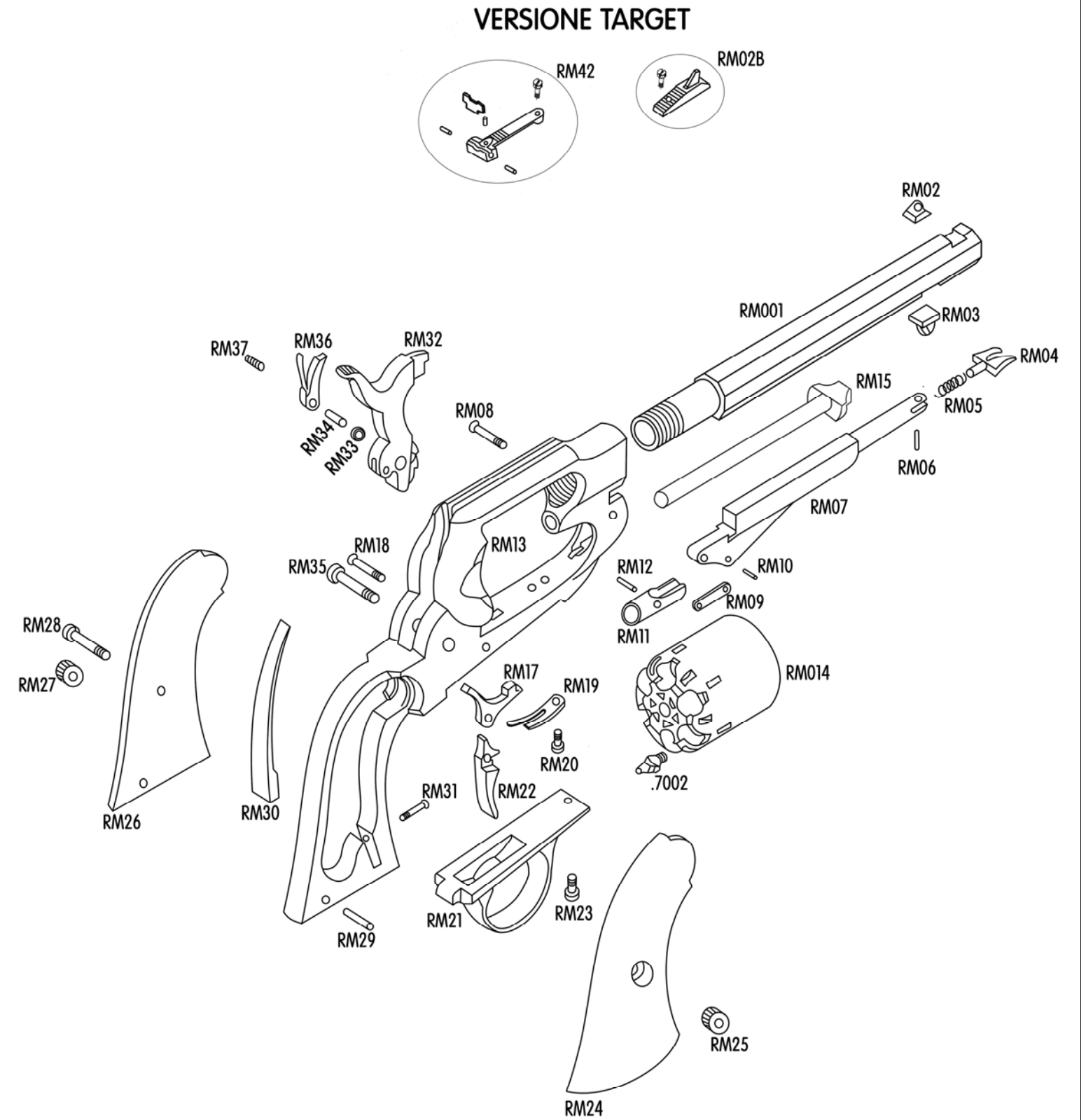
rel.		
2007		
.CN 01	FRONT SIGHT	mirino
.CN 02	BARREL CATCH	gancio canna
CN 003	BARREL PROOF TESTED	canna testata al BNP
.CN 04	LOADING LEVER SCREW	vite asta di caricamento
.CN 05	BARREL WEDGE	chiavetta assemblata
5a		chiavetta
5b		molla chiavetta
5c		spina molla chiavetta
.CN 06	BARREL WEDGE SCREW	vite chiavetta
CN 007	CYLINDER WITH NIPPLE - PROOF TESTED	tamburo con luminelli testato al B.N.P.
.CN 08	TRIGGER SCREW	vite grilletto
.7002	NIPPLE 6x0,75	luminello
.CN 10	CYLINDER PIN	perno centrale
.CN 11	BARREL CONNECTING PINS	piolo canna bascula
.CN 12	FRAME	bascula
.CN 13	HAND ASSEMBLY	elevatore o cricca assemblato
13a		mollettino elevatore
13b		elevatore
13c		perno elevatore
.CN 14	HAMMER	cane
.CN 15	HAMMER SCREW	vite cane
.CN 16	BACKSTRAP SCREW	vite fascetta impugnatura
.CN 17	BACKSTRAP	fascetta impugnatura
.CN 18	BUTT SCREW	vite inferiore fascetta
.CN 19	GRIPS	impugnatura
.CN 20	HAMMER SPRING SCREW	vite molla cane
.CN 21	HAMMER SPRING	molla cane
.CN 22	TRIGGER GUARD	sottoguardia
.CN 23	TRIGGER GUARD REAR SCREW	vite posteriore sottoguardia e fascetta impugnatura
.CN 24	TRIGGER GUARD FRONT SCREW	vite anteriore sottoguardia
.CN 25	TRIGGER	grilletto
.CN 26	CYLINDER LOCK SCREW	vite perno centrale
.CN 27	CYLINDER LOCK	arresto tamburo (nottolino)
.CN 28	TRIGGER & CYLINDER STOP SPRING	molla grilletto/nottolino
.CN 29	TRIGGER SPRING SCREW	vite molla grilletto
.CN 30	PLUNGER	pistoncino
.CN 31	PLUNGER SCREW	vite pistoncino
.CN 32	LOADING LEVER	asta di caricamento
.CN 33	LOADING LEVER LACH	dente asta di caricamento
.CN 34	LOADING LEVER LACH SPRING	molla dente asta di caricamento
.CN 35	LOADING LEVER LACH PIN	spina dente asta di caricamento
.CN 36	ROLLER PIN	spina rondella cane
.CN 37	ROLLER	rondella cane
.CN 38	LOADING LEVER COMPLETE WITH PLUNGER	asta di caricamento completa



rel.
2008/b

SPARE PARTS & EXPLODED VIEW - Remington 1858 New Model - percussion

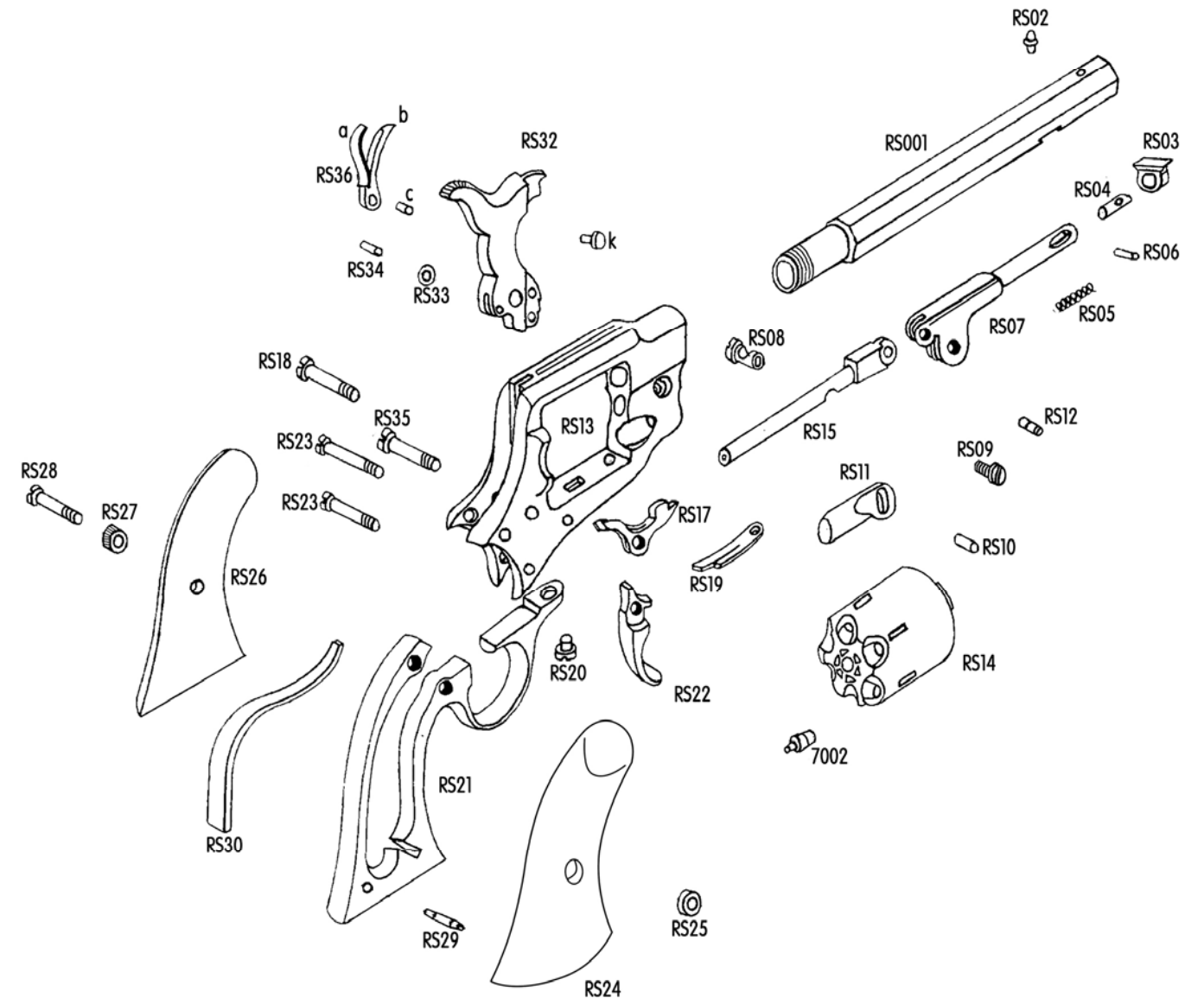
RM 001	BARREL PROOF TESTED cal .44	canna testata al BNP
.RM 02	FRONT SIGHT STANDARD	mirino versione "Standard"
.RM 02B	FRONT SIGHT TARGET	mirino versione "Target"
.RM 03	LOADING LEVER RETAINER	gancio canna
.RM 04	LOADING LEVER LATCH	dente asta di caricamento
.RM 05	LOADING LEVER LATCH SPRING	molla dente asta di caricamento
.RM 06	LOADING LEVER LATCH PIN	spina dente asta di caricamento
.RM 07	LOADING LEVER	asta di caricamento
.RM 08	LOADING LEVER SCREW	vite asta di caricamento
.RM 09	LINK	piastrina asta di caricamento (maglietta)
.RM 10	LINK PIN	spina piastrina
.RM 11	PLUNGER	pistoncino asta di caricamento
.RM 12	PLUNGER PIN	spina pistoncino
.RM 13	FRAME	bascula
RM 014	CYLINDER WITH NIPPLE - PROOF TESTED cal .44	tamburo con luminelli testato al B.N.P.
.RM 15	CYLINDER PIN	perno centrale tamburo
.7002	NIPPLE 6x0,75	luminello
.RM 17	CYLINDER BOLT	leva fermo tamburo (nottolino)
.RM 18	CYLINDER BOLT SCREW	vite grilletto e nottolino
.RM 19	TRIGGER & BOLT SPRING	molla grilletto e nottolino
.RM 20	TRIGGER & BOLT SPRING SCREW	vite molla grilletto
.RM 21	TRIGGER GUARD	sottoguardia
.RM 22	TRIGGER	grilletto
.RM 23	TRIGGER GUARD SCREW	vite sottoguardia
.RM 24	RIGHT GRIP	guancia destra
.RM 25	RIGHT GRIP NUT	ghiera guancia destra - filettata
.RM 26	LEFT GRIP	guancia sinistra
.RM 27	LEFT GRIP NUT	ghiera guancia sinistra
.RM 28	GRIP SCREW	vite tenuta guance
.RM 29	GRIP PIN	spina tenuta guance
.RM 30	MAIN SPRING	molla cane
.RM 31	MAIN SPRING SCREW	vite molla cane
.RM 32	HAMMER	cane
.RM 33	HAMMER ROLLER	rondella cane
.RM 34	HAMMER ROLLER PIN	spina rondella cane
.RM 35	HAMMER SCREW	vite cane
.RM 36	HAND ASSEMBLY	elevatore o cricca assemblato
36a		mollettino elevatore
36b		elevatore
.RM 37	HAND PIVOT	vite cricca o elevatore
.RM 38	LOADING LEVER COMPLETE WITH PLUNGER	asta di caricamento completa
.RM 42	REAR SIGHT TARGET	tacca di mira versione "Target"



STOCK No.

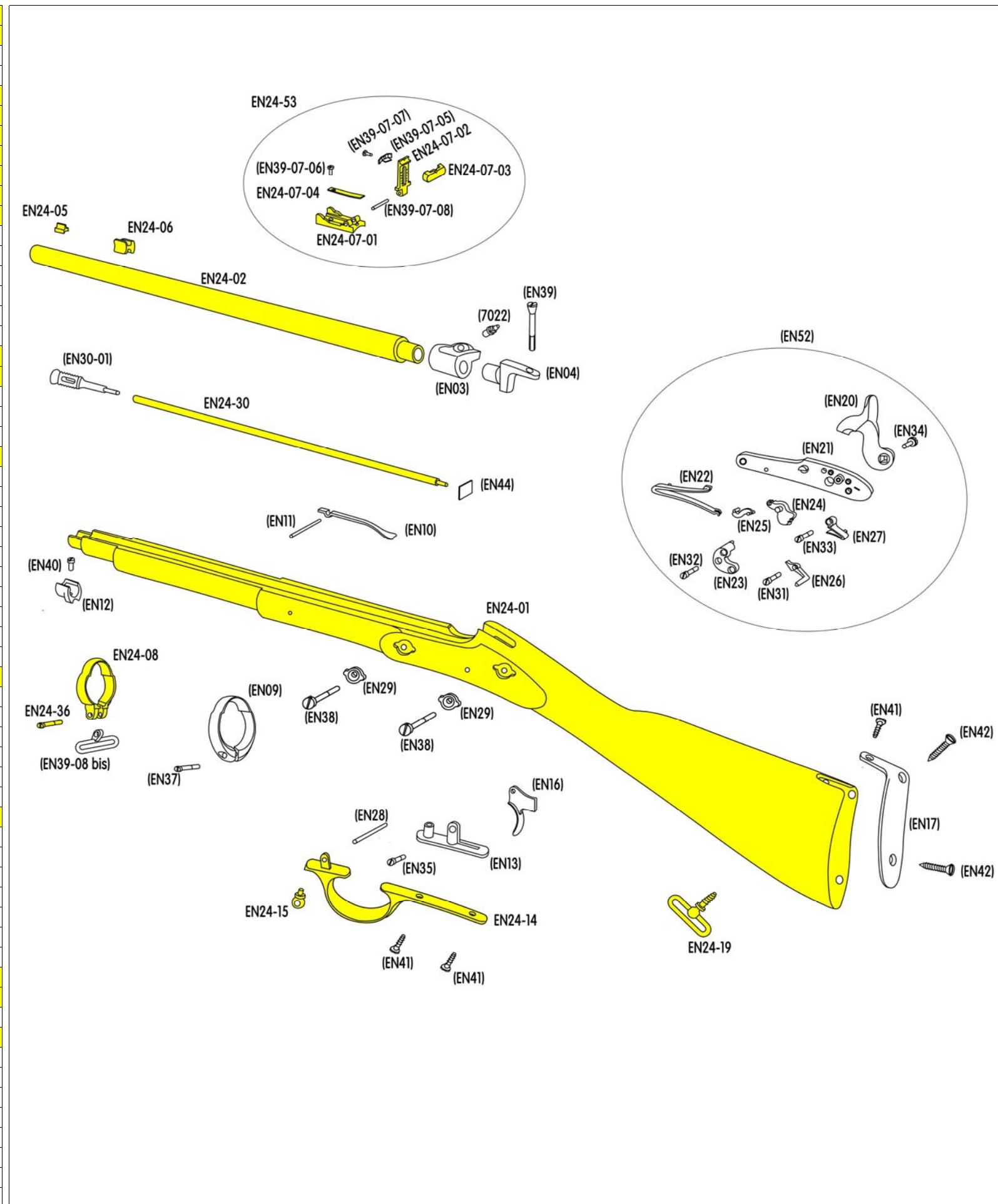
SPARE PARTS - Rogers & Spencer

.RS 001	BARREL STANDARD PROOF TESTED	canna versione standard testata al BNP
.RS 02	FRONT SIGHT STANDARD	mirino versione "Standard"
.RS 02B	FRONT SIGHT MATCH	mirino versione "Match"
.RS 02C	FRONT SIGHT TARGET	mirino versione "Target"
.RS 03	BARREL CATCH	gancio canna
.RS 04	LOADING LEVER LATCH	gancio asta di caricamento
.RS 05	LOADING LEVER SPRING	molla gancio asta di caricamento
.RS 06	LOADING LEVER LATCH PIN	spina gancio asta di caricamento
.RS 07	LOADING LEVER	asta di caricamento
.RS 08	CYLINDER PIN NUT	controvite perno tamburo
.RS 09	CYLINDER PIN NUT SCREW	vite perno tamburo
.RS 10	PLUNGER SCREW	vite pistoncino
.RS 11	PLUNGER	pistoncino
.RS 12	LOADING LEVER SCREW	vite leva di caricamento
.RS 13	FRAME	bascula
RS 014	CYLINDER WITH NIPPLE - PROOF TESTED - Standard	tamburo con luminelli testato al BNP - Standard
.RS 15	CYLINDER PIN	perno tamburo
.RS 16	NIPPLE (stock 7002 or 7003) 6x0,75	luminello
.RS 17	CYLINDER BOLT	leva fermo tamburo (nottolino)
.RS 18	CYLINDER BOLT SCREW	vite leva fermo tamburo
.RS 19	TRIGGER AND BOLT SPRING	molla grilletto
.RS 20	TRIGGER AND BOLT SPRING SCREW	vite molla grilletto
.RS 21	HAND GRIP	impugnatura
.RS 22	TRIGGER	grilletto
.RS 23	HAND GRIP SCREW	vite telaio impugnatura
.RS 24	RIGHT GRIP	guancia destra
.RS 25	RIGHT GRIP NUT	rondella guancia destra
.RS 26	LEFT GRIP	guancia sinistra
.RS 27	LEFT GRIP NUT	rondella guancia sinistra
.RS 28	GRIP SCREW	vite guancia
.RS 29	GRIP PIN	spina centraggio guance
.RS 30	MAIN SPRING	molla cane
.RS 32	HAMMER	cane
.RS 33	HAMMER ROLLER	rondella cane
.RS 34	HAMMER ROLLER PIN	spina rondella cane
.RS 35	HAMMER SCREW	vite cane
.RS 36	HAND ASSEMBLY	elevatore o cricca assemblato
36a		mollettino elevatore
36b		elevatore
36c		perno elevatore
K		piolo aggancio nottolino
.RS 37	LOADING LEVER COMPLETE WITH PLUNGER	asta di caricamento completa
.RS 38	REAR SIGHT TARGET	tacca di mira versione "Target"
RS 039	CYLINDER WITH NIPPLE - PROOF TESTED - London Gray	tamburo con luminelli testato al BNP - London Gray
RS 040	BARREL LONDON GRAY PROOF TESTED	canna versione London Gray testata al BNP
.RS 50	GRIPS COMPLETE	(guance destra e sinistra complete)



SPARE PARTS & EXPLODED VIEW - Enfield 1861 - 24" - percussion (parts different from 39" are in yellow)

rel. 2009/a		
.EN 24-01	STOCK	calcio
.EN 24-02	BARREL	canna (solo tubo)
.EN 03	BREECH BLOCK	base luminello
.EN 04	BREECH PLUG	tappo canna o codetta
.EN 24-05	FRONT SIGHT	mirino
.EN 24-06	BAYONET STUD	gancio baionetta
.EN 24-07-01	REAR SIGHT BASE	base alzo
.EN 24-07-02	REAR SIGHT LEAF	ritto alzo
.EN 24-07-03	REAR SIGHT SLIDE	corsoio
.EN 24-07-04	REAR SIGHT BASE SPRING	molla zoccolo alzo
.EN 24-08	FRONT BAND	fascetta anteriore
.EN 08bis	SWIVEL FRONT	maglietta portacinghia anteriore
.EN 09	REAR BAND	fascetta posteriore
.EN 10	RAMROD SPRING	molla ritegno bacchetta
.EN 11	RAMROD SPRING PIN	perno molla bacchetta
.EN 12	FOREND CAP	puntale calcio
.EN 13	TRIGGER PLATE	supporto grilletto
.EN 24-14	TRIGGER GUARD	guardiamano
.EN 24-15	NIPPLE PROTECTOR CONNECTOR	attacco per catenella copriluminello
.EN 16	TRIGGER	grilletto
.EN 17	BUTT PLATE	calciolo
.7022	NIPPLE 8x1,25 mm	luminello
.EN 24-19	SWIVEL REAR & SCREW	vite e portacinghia posteriore
.EN 20	HAMMER	cane
.EN 21	LOCK PLATE	cartella acciarino
.EN 22	MAIN SPRING	molla cane
.EN 23	BRIDLE	braghetta
.EN 24	TUMBLER	noce
.EN 25	STIRRUP	maglietta noce o tirantino
.EN 26	SEAR	leva scatto
.EN 27	SEAR SPRING	molla leva scatto
.EN 28	TRIGGER GUARD ROLLER	perno guardiamano
.EN 29	LOCK PLATE NUTS	bronzine viti acciarino
.EN 24-30	RAMROD	asta bacchetta
.EN 30-01	RAMROD TIP	puntale bacchetta
.EN 31	SEAR SCREW	vite leva scatto
.EN 32	BRIDLE SCREW	vite braghetta
.EN 33	SEAR SPRING SCREW	vite molla leva scatto
.EN 34	HAMMER SCREW	vite cane
.EN 35	TRIGGER SCREW	vite grilletto
.EN 24-36	FRONT BAND SCREW	vite fascetta anteriore
.EN 37	BANDS SCREW	viti fascette
.EN 38	LOCK PLATE SCREW	viti cartella
.EN 39	BREECH PLUG SCREW	vite coda
.EN 40	STOCK TIP SCREW	vite puntale calcio
.EN 41	BUTT PLATE AND TRIGGER GUARD SCREW	viti calciolo e guardiamano
.EN 42	BUTT PLATE SCREW	viti calciolo
.EN 44	RAMROD RETAINER	piastrina fermabacchetta
.EN 24-50	STOCK WITH FURNITURE	calcio completo di ottoni
EN 024	BARREL WITH SIGHTS PROOF TESTED	canna completa di mire testata al BNP
.EN 52	LOCK COMPLETE	acciarino completo
.EN 24-53	REAR SIGHT COMPLETE	tacca di mira completa



SPARE PARTS & EXPLODED VIEW - Cook & Brother - 24" - percussion (parts different from Enfield 39" are in yellow)

rel.
2009/a

.CB 01	STOCK	calcio
.CB 02	BARREL	canna (solo tubo)
.CB 03	BREECH BLOCK	base luminello
.CB 04	BREECH PLUG	tappo canna o codetta
.CB 05	FRONT SIGHT	mirino
.CB 07	REAR SIGHT	tacca di mira
.CB 08	FRONT BAND	fascetta anteriore
.CB 08bis	SWIVEL FRONT	maglietta portacinghia anteriore
.CB 09	REAR BAND	fascetta posteriore
.EN 10	RAMROD SPRING	molla ritegno bacchetta
.EN 11	RAMROD SPRING PIN	perno molla bacchetta
.EN 12	FOREND CAP	puntale calcio
.EN 13	TRIGGER PLATE	supporto grilletto
.CB 14	TRIGGER GUARD	guardiamano
.EN 16	TRIGGER	grilletto
.EN 17	BUTT PLATE	calciolo
.7022	NIPPLE 8x1,25 mm	luminello
.CB 19	TRIGGER GUARD SWIVEL	maglietta portacinghia posteriore
.EN 20	HAMMER	cane
.CB 21	LOCK PLATE	cartella acciarino
.EN 22	MAIN SPRING	molla cane
.EN 23	BRIDLE	braghetta
.EN 24	TUMBLER	noce
.EN 25	STIRRUP	maglietta noce o tirantino
.EN 26	SEAR	leva scatto
.EN 27	SEAR SPRING	molla leva scatto
.EN 28	TRIGGER GUARD ROLLER	perno guardiamano
.EN 29	LOCK PLATE NUTS	bronzine viti acciarino
.CB 30	RAMROD	asta bacchetta
.CB 30-01	RAMROD TIP	puntale bacchetta
.EN 31	SEAR SCREW	vite leva scatto
.EN 32	BRIDLE SCREW	vite braghetta
.EN 33	SEAR SPRING SCREW	vite molla leva scatto
.EN 34	HAMMER SCREW	vite cane
.EN 35	TRIGGER SCREW	vite grilletto
.CB 36	REAR BAND SCREW	vite fascetta posteriore
.CB 37	BAND SCREW FRONT	vite fascetta anteriore
.CB 38	LOCK PLATE SCREW	viti cartella
.CB 39	BREECH PLUG SCREW	vite coda
.EN 40	STOCK TIP SCREW	vite puntale calcio
.CB 41	BUTT PLATE AND TRIGGER GUARD SCREW	viti calciolo e guardiamano
.CB 42	BUTT PLATE SCREW	viti calciolo
.EN 44	RAMROD RETAINER	piastrina fermabacchetta
CB 50	STOCK WITH FURNITURE	calcio completo di ottone
CB 024	BARREL WITH SIGHTS PROOF TESTED	canna completa di mire testata al BNP
.CB 52	LOCK COMPLETE	acciarino completo

