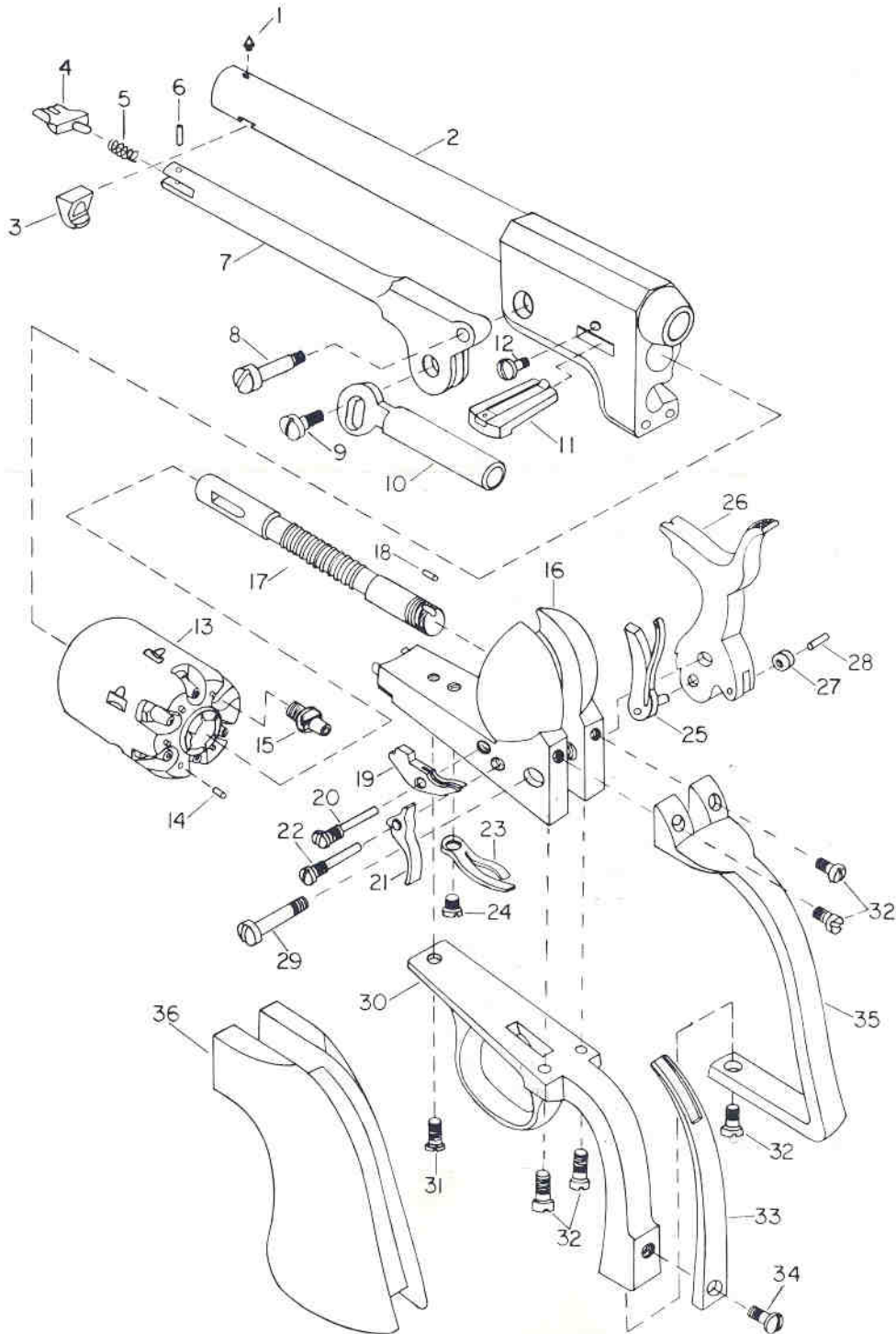


HIGH STANDARD SPORTING FIREARMS • 1817 DIXWELL AVENUE, HAMDEN, CONNECTICUT 06514  
A DIVISION OF THE LEISURE GROUP, INC.

## PARTS BREAKDOWN

GRISWOLD & GUNNISON / LEECH & RIGDON  
CAP AND BALL REVOLVERS



**PARTS LIST FOR**

**GRISWOLD & GUNNISON  
LEECH & RIGDON**

**MODEL 9331  
MODEL 9332**

REF. NO.	PART NO.	PART NAME
1	50344	Front Sight
2	50343	Barrel
3	50345	Barrel Stud
4	50347	Loading Lever Latch
5	50349	Loading Lever Latch Spring
6	50348	Loading Lever Latch Pin
7	50346	Loading Lever
8	50350	Loading Lever Screw
9	50352	Loading Plunger Screw
10	50351	Loading Plunger
11	50353	Barrel Wedge Assembly
12	50357	Barrel Wedge Screw
13	50319	Cylinder
14	50321	Cylinder Safety Pin (6 Req'd)
15	50320	Nipple (6 Req'd)
16		Frame
	50314	Griswold & Gunnison
	50362	Leech & Rigdon
17		Cylinder Pin
	50315	Griswold & Gunnison
	50363	Leech & Rigdon
18	50316	Cylinder Pin Lock Pin
19	50339	Bolt
20		Bolt Screw
	50340	Griswold & Gunnison
	50360	Leech & Rigdon
21	50337	Trigger
22		Trigger Screw
	50338	Griswold & Gunnison
	50340	Leech & Rigdon
23	50341	Bolt & Trigger Spring
24	50342	Bolt & Trigger Spring Screw
25	50327	Hand Assembly
26	50323	Hammer
27	50324	Hammer Roller
28	50325	Hammer Roller Pin
29		Hammer Screw
	50330	Griswold & Gunnison
	50359	Leech & Rigdon
30	50335	Trigger Guard
31	50336	Trigger Guard Screw Front
32	50334	Trigger Guard & Back Strap Screws (5 Req'd)
33	50331	Hammer Spring
34	50332	Hammer Spring Screw
35	50333	Back Strap
36	50358	Grip