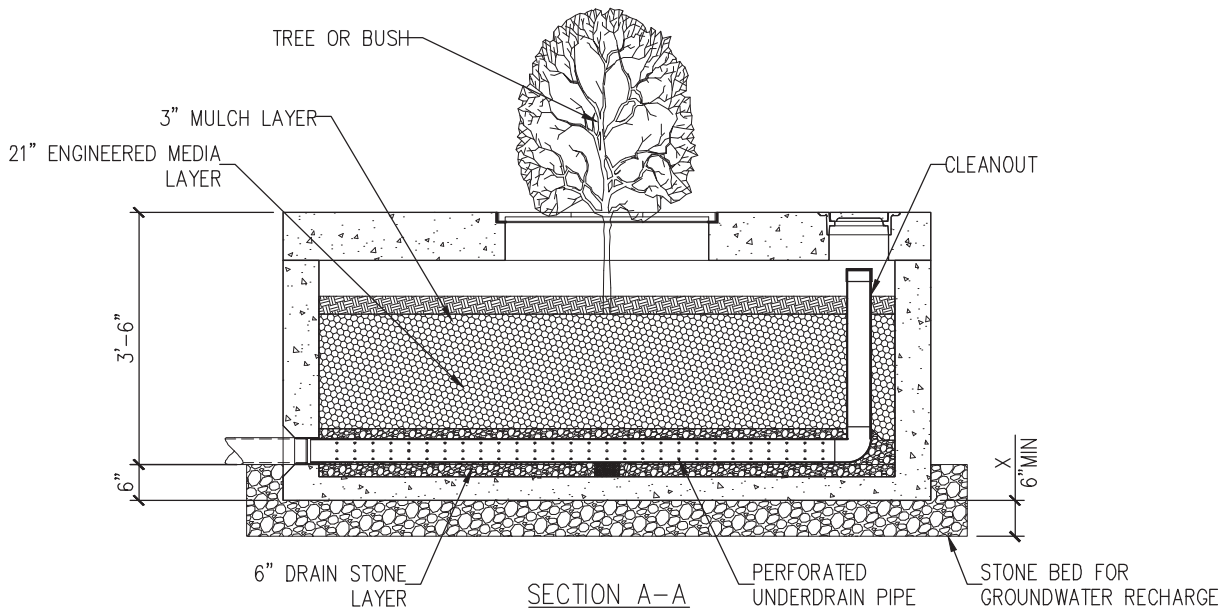
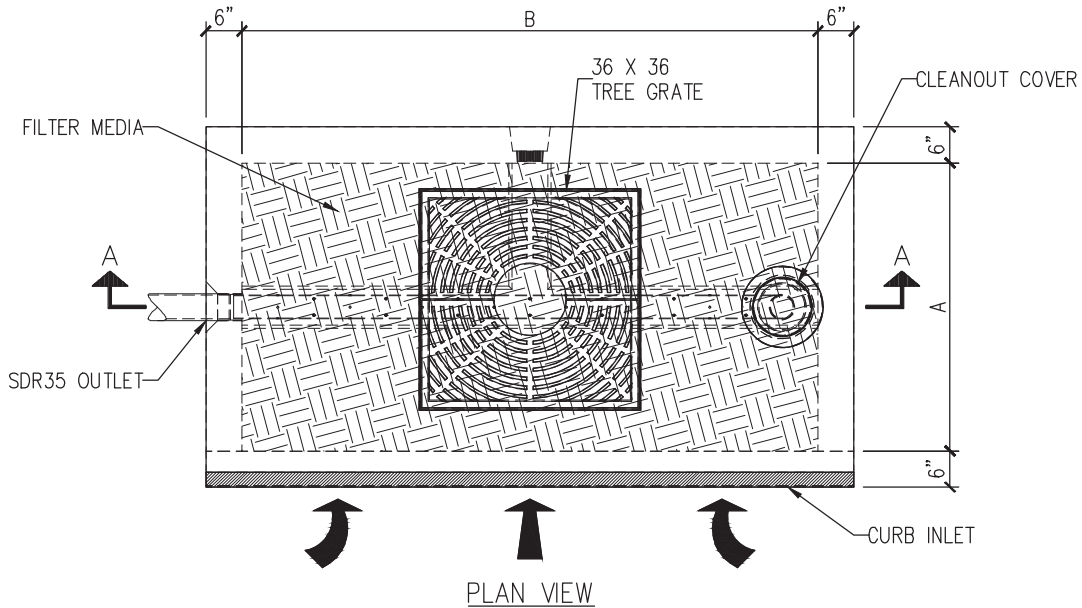


NOTES:

- LEFT CONFIGURATION SHOWN, MIRROR RIGHT CONFIGURATIONS ARE AVAILABLE TO ACCOMMODATE OTHER OUTLET PIPE LOCATIONS.
- A SEPARATE BYPASS STRUCTURE IS REQUIRED IF THE PEAK FLOW RATE EXCEEDS THE TREATMENT CAPACITY OF THE STORMGARDEN®
- OTHER SIZES AVAILABLE UPON REQUEST.
- CONTACT ROTONDO ENVIRONMENTAL SOLUTIONS FOR ENGINEERING ASSISTANCE AND DETAILED DRAWINGS.
- THE OWNER IS RESPONSIBLE FOR THE SURVIVAL OF THE VEGETATION AND MUST IRRIGATE AS NECESSARY.





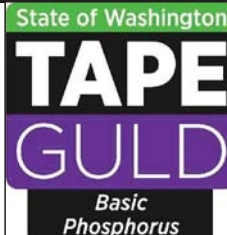
| MODEL | VAULT SIZE | | TREATMENT FLOW CAPACITY (GPM/CF/S) ¹ | STONE BED VOID STORAGE ² | | OUTLET PIPE DIAMETER (SDR 35) |
|---------|------------|---------|---|-------------------------------------|--------------------------------------|-------------------------------|
| | (A) DIM | (B) DIM | | 6" STONE BED VOL (CF) ³ | INCREMENTAL VOL (CF/IN) ⁴ | |
| SG-0404 | 4' | 4' | 23.3/0.052 | 10 | 1.2 | 4" |
| SG-0604 | 4' | 6' | 34.8/0.078 | 13 | 1.6 | 4" |
| SG-0804 | 4' | 8' | 46.4/0.104 | 15 | 2.0 | 4" |
| SG-0606 | 6' | 6' | 52.2/0.117 | 16 | 2.1 | 4" |
| SG-1004 | 4' | 10' | 58.0/0.130 | 18 | 2.4 | 4" |
| SG-0806 | 6' | 8' | 69.6/0.156 | 20 | 2.7 | 4" |
| SG-1204 | 4' | 12' | 69.6/0.156 | 21 | 2.8 | 4" |
| SG-1006 | 6' | 10' | 87.0/0.195 | 23 | 3.2 | 6" |
| SG-1206 | 6' | 12' | 104.4/0.234 | 27 | 3.7 | 6" |
| SG-1307 | 7' | 13' | 132.0/0.295 | 32 | 4.5 | 6" |
| SG-1608 | 8' | 16' | 185.6/0.425 | 42 | 6.0 | 6" |

NOTES-

1. BASED ON WA ECOLOGY TAPE GULD APPROVAL FOR BASIC & PHOSPHOROUS AT 1.45 GPM/SF OF MEDIA SURFACE AREA.
2. STONE VOIDS USED TO STORE WATER FOR GROUNDWATER RECHARGE
3. VOLUME BASED ON VOID STORAGE OF 6" STONE BED (X=6").
4. INCREMENTAL VOID STORAGE VOLUME BASED ON 1" BED DEPTH TO BE ADDED TO 6" BED VOLUME.
EXAMPLE: ASSUME 12" BED DEPTH (X=12") FOR SG-0404,
 $V_{TOTAL} = ((12" - 6") \times (1.2 \text{ CF/IN})) + 10 \text{ CF} = 17.2 \text{ CF}$.
5. OTHER SIZES AVAILABLE UPON REQUEST.



By **ROTONDO**
Environmental Solutions LLC
703-212-4830 | www.rotondo-es.com



LONG SIDE INLET CONFIGURATION

| | | | | |
|-----------------------|----------|------------------|-----------------|--------------------------------------|
| DRAWING NO. SG-LSI | REVISION | DATE 07-01-19 | DRAWN BY FRJ | DRAWING NO. 2 OF 2 PATENT PENDING |
|-----------------------|----------|------------------|-----------------|--------------------------------------|