



HEAVY-DUTYCASTER.COM



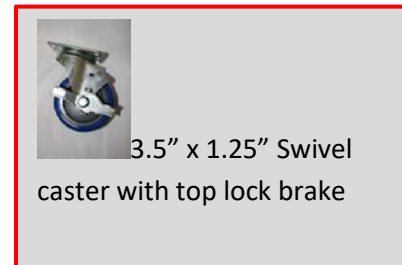
PHIL@HEAVY-DUTYCASTER.COM

336-362-1639

<https://www.heavy-dutycaster.com>

Light Duty Casters for Material Handling Carts, Food Service Carts, Institutional Carts, Commercial Dollies & Warehouse and Production Areas.

Part #	Swivel/Rigid	Wheel Size (Diameter x Tread Width), Wheel Material, Bearings, Color	Capacity	Overall Height	Price Each	Shipping Locations
5230-01-PPBG	Swivel	3" x 1.25" Polyurethane on Poly w/ Ball Bearings; Grey, Black, or Blue	250#	4-1/16 in.	\$8.00	GA, IL
5230-01-PPBG-TLB	Swivel w/ Top Lock Brake	3" x 1.25" Polyurethane on Poly w/ Ball Bearings; Grey, Black, or Blue	250#	4-1/16 in.	\$10.00	GA, IL
5230R-01-PPBG	Rigid	3" x 1.25" Polyurethane on Poly w/ Ball Bearings; Grey, Black, or Blue	250#	4-1/16 in.	\$7.00	GA, IL
5235-01-PPBG	Swivel	3.5" x 1.25" Polyurethane on Poly w/ Ball Bearings; Grey, Black, or Blue	250#	4-5/8 in.	\$9.00	GA, IL
5235-01-PPBG-TLB	Swivel w/ Top Lock Brake	3.5" x 1.25" Polyurethane on Poly w/ Ball Bearings; Grey, Black, or Blue	250#	4-5/8 in.	\$11.00	GA, IL
5235R-01-PPBG	Rigid	3.5" x 1.25" Polyurethane on Poly w/ Ball Bearings; Grey, Black, or Blue	250#	4-5/8 in.	\$8.00	GA, IL



Part #	Swivel/Rigid	Wheel Size (Diameter x Tread Width), Wheel Material, Bearings, Color	Capacity	Overall Height	Price Each	Shipping Locations
5240-01-PPBG	Swivel	4" x 1.25" Polyurethane on Poly w/ Ball Bearings; Grey, Black, or Blue	275#	5-1/8 in.	\$10.00	GA, IL
5240-01-PPBG-TLB	Swivel w/ Top Lock Brake	4" x 1.25" Polyurethane on Poly w/ Ball Bearings; Grey, Black, or Blue	275#	5-1/8 in.	\$12.00	GA, IL
5240R-01-PPBG	Rigid	4" x 1.25" Polyurethane on Poly w/ Ball Bearings; Grey, Black, or Blue	275#	5-1/8 in.	\$9.00	GA, IL
5250-01-PPBG	Swivel	5" x 1.25" Polyurethane on Poly w/ Ball Bearings; Grey, Black, or Blue	300#	6-3/16 in.	\$11.00	GA, IL
5250-01-PPBG-TLB	Swivel w/ Top Lock Brake	5" x 1.25" Polyurethane on Poly w/ Ball Bearings; Grey, Black, or Blue	300#	6-3/16 in.	\$12.00	GA, IL
5250R-01-PPBG	Rigid	5" x 1.25" Polyurethane on Poly w/ Ball Bearings; Grey, Black, or Blue	300#	6-3/16 in.	\$10.00	GA, IL
5260-01-PPBG	Swivel	6" x 1.25" Polyurethane on Poly w/ Ball Bearings; Grey, Black, or Blue	325#	7-3/8 in.	\$13.00	GA, IL
5260-01-PPBG-TLB	Swivel w/ Top Lock Brake	6" x 1.25" Polyurethane on Poly w/ Ball Bearings; Grey, Black, or Blue	325#	7-3/8 in.	\$15.00	GA, IL
5260R-01-PPBG	Rigid	6" x 1.25" Polyurethane on Poly w/ Ball Bearings; Grey, Black, or Blue	325#	7-3/8 in.	\$12.00	GA, IL



4" x 1.25" Swivel
caster w/ Blue Poly wheel



5" x 1.25" Swivel
caster with Blue Poly wheel

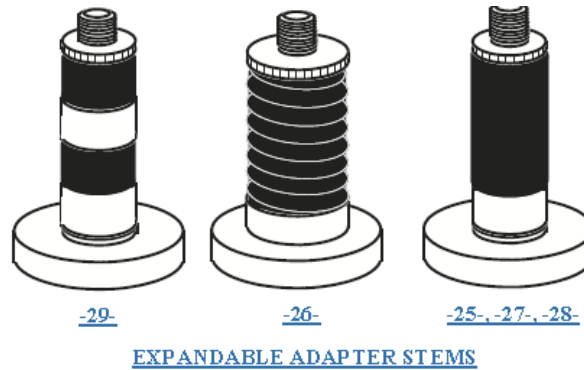
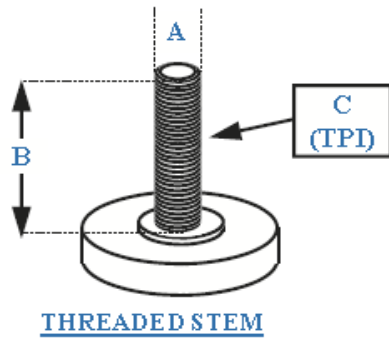
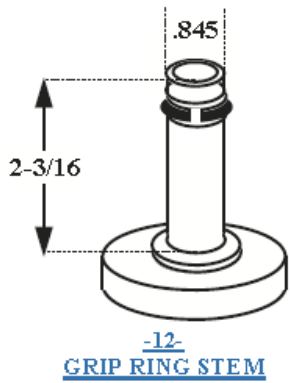
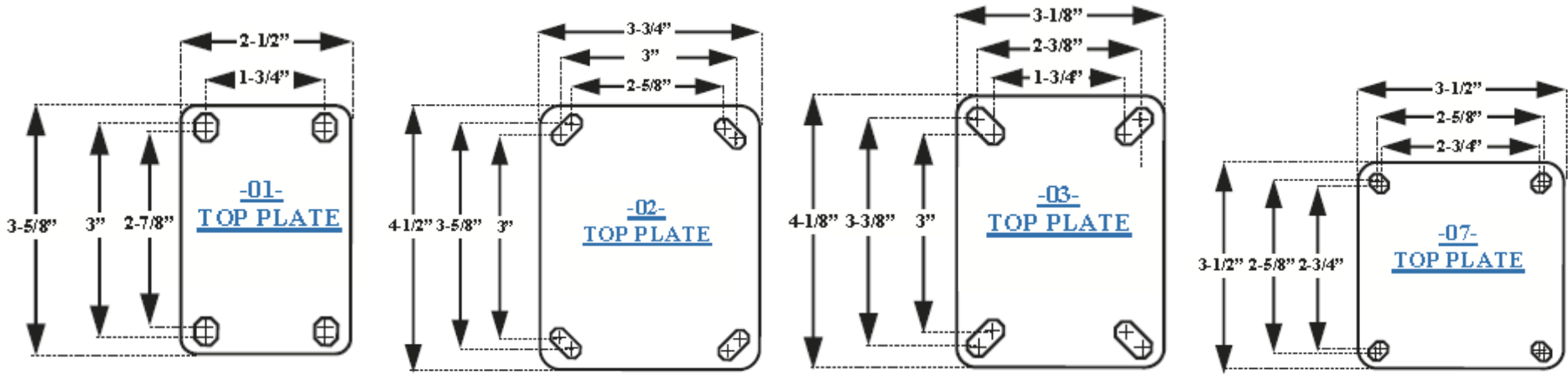


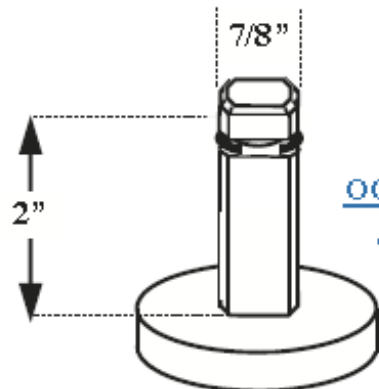
6" x 1.25" Swivel
caster with top lock brake



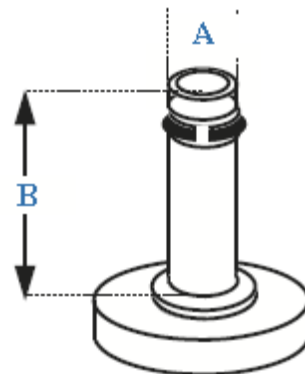
Our Light Duty Casters have capacity up to 350#. We use a double ball swivel raceway for added durability and ease of swivel action. A metal dust cover helps protect the swivel race. Applications include: material handling carts and trucks, food service equipment and carts, institutional, commercial, and hospital carts and equipment. As well as dollies, wire shelving, and warehouse carts.

Top Plate Sizes and Stem Sizes Available:





-41-
OCTAGON GRIP
RING STEM



-11,-12-
GRIP RING STEM

GRIP RING STEM	11 12 14 14CDH	7/16 x 1-1/2 .845 x 2-3/16 1.48 x 3 WITH DUAL GRIP RINGS 1.48 x 3 WITH DUAL GRIP RINGS W-5/16 CROSS DRILLED HOLE
THREADED STEM (WITH LOWER NUT UNDER RACE WAY)	21 22 23 24 26N 58134 34134 344	A-B x C 1/2-13 x 1 1/2-13 x 1-1/2 1/2-13 x 2-3/16 1/2-13 x 2-1/4 1/2-13 x 2-13/16 5/8-11 x 1-3/4 3/4-10 x 1-3/4 3/4-10 x 4
PIPE THREAD STEM	34PT	THREADED FOR 3/4 PIPE COUPLING x 3/4 LONG
EXPANDABLE ADAPTER STEMS	25 26 27 28 29	FOR 1-3/8 I.D. 1-1/2 O.D. TUBING FOR 1-1/2" I.D. 1-5/8 O.D. TUBING FOR 7/8" I.D. 1" O.D. TUBING FOR 1" I.D. 1-1/8" O.D. TUBING FOR 1-1/8" I.D. 1-1/4 O.D. TUBING
ROUND PLAIN STEM	31	7/8 x 1-7/16 WITH 5/16 CROSS DRILLED HOLE 29/32 UP
OCTAGON STEM W/ GRIP RING	41	7/8 x 2-1/4 WITH ONE GRIP RING (TOP)
OCTAGON STEM W/ CROSS DRILLED HOLE	42	7/8 x 2 WITH 5/16 CROSS DRILLED HOLE 1" UP
OCTAGON STEM W/ GROOVE (NO RING)	45	7/8 x 2-1/4 (GROOVE WITH NO GRIP RING)
SQUARE STEM	51	7/8 x 2 WITH 1/4" CROSS DRILLED HOLE 1" UP

**PEDAL WHEEL BRAKE
(SWIVELS ONLY)**



PWB

INTEGRATED TLB



TLB

**QUICK CHANGE PLATE FOR
-01- TOP PLATE
(WILL NOT WORK ON
RIGID STAMPED RIGS)**



**QCP-01-5200
(ZINC PLATED, BOLTED ON)
QCP-01-5200-UNPLATED
(UNPLATED, WELDED ON)**