

SUITE 16 COMBO SERIES

MODEL 212 - FLOOR MOUNT

MODEL 213 - MOBILE

**NEW
FOR 2009**

**ONLY 16" WIDE
AND COMPUTER
READY**

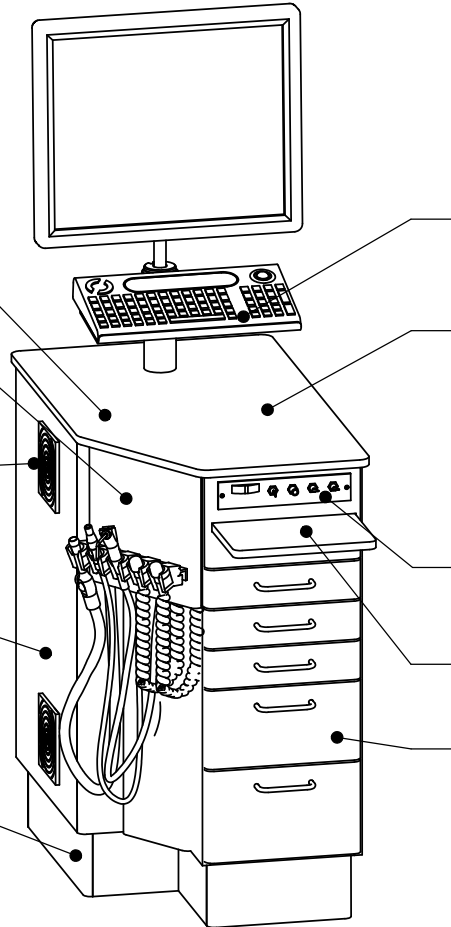
Standard Features:

- Choice of durable laminate finish
- 2-Handpiece ready
- 3-Way syringe
- Auto-clavable vacuum
- High-volume evacuator

Thermostatically controlled fan with vents

100% cabinet grade plywood with your choice of laminate

Casters on model 213



Optional Features:

- Swivel monitor mount with height adjustment and top mount keyboard
- Solid surface top i.e. Hi-Mac, Corian etc..

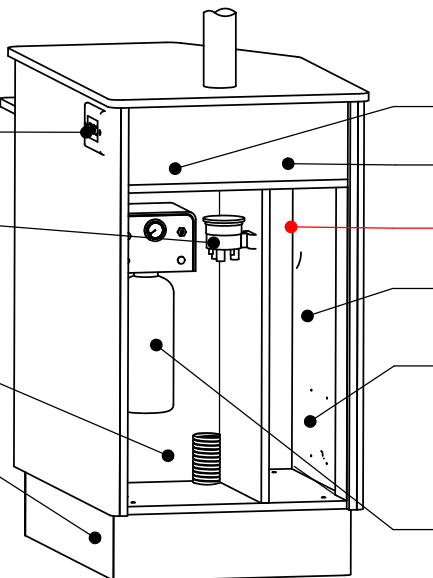
Standard Features:

- Highly accessible modular controller
- Pullout Breadboard
- Five high impact washable drawers with full extension slides

LOADED WITH STANDARD FEATURES!

Standard Features:

- GFCI outlet
- Solids collector
- Isolated water side compartment
- Extra high toe plate to protect cabinet from rolling stools!



Standard Features:

- Circuit breaker
- Isolated electrical compartment
- Surge suppressor
- Inside receptacle for optional lighting system
- Dedicated computer garage accepts mini size cpu up to 4.5"W x 14"D x 14"H

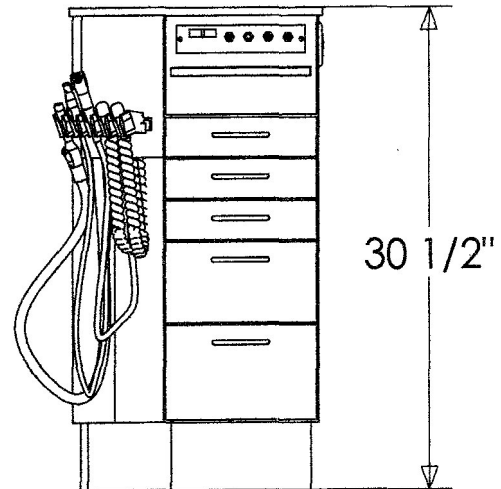
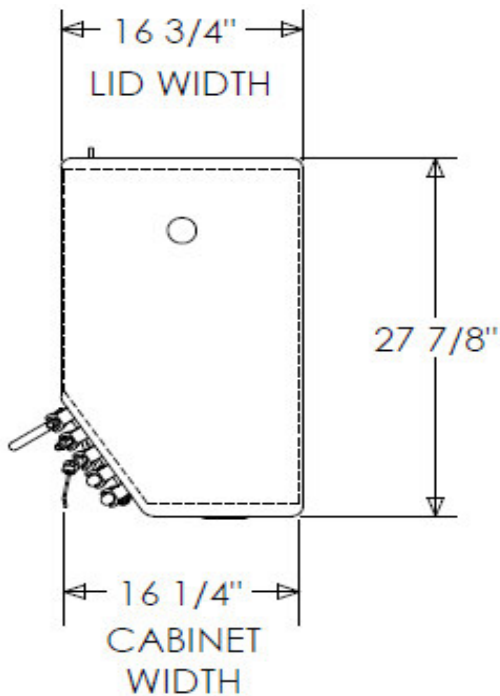
Optional Feature:

- Self-contained water

CONTACT A DEXTA REP FOR ADDITIONAL OPTIONS

Specifications:

Suite Sixteen Series Model 212, 213



DEXTA

Dexta Corporation
962 Kaiser Road
Napa, CA 94558
Ph (707) 255-2454
Fx (707) 255-8520



Contact your Dexta salesperson for details on approved models.

www.dexta.com

1-800-733-3982

Standard Controller Features:

- Manual control – 2 hand piece ready.
One high speed, one low speed
- On/Off coolant control for HS hand piece
- Quick clean three-way syringe
- Master on/off toggle
- Autoclavable central vacuum
- One saliva ejector
- One high-volume evacuator
- Solids collector with strainer

Standard Inside Drawer Dimensions:

- 3 Drawers – 8" wide x 12" deep x 2-1/4" high
 - 2 Drawers – 8" wide x 12" deep x 5" high
- 1608 cubic inches of drawer space